



7.4 cu. ft. Front Load Hybrid Heat Pump Dryer

WHD862CH



Chrome Shadow
WHD862CHC

Also available in:

White

WHD862CHW

Capacity

Total	7.4 cu. ft.
-------	-------------

General Features & Properties

Intuitive Controls

Advanced Moisture Sensing

Eco option

Quad Baffles

Stainless Steel Dryer Drum

Closet-Depth Fit

Flexible installation

Hybrid heat pump drying technology

Laundry Pedestals

Electrical Details

Hz	60
----	----

Amps	30
------	----

Volts	240
-------	-----

Certifications

ENERGY STAR® Certified	Yes
------------------------	-----

Technical Details

Drum Material	Stainless Steel
---------------	-----------------

Fuel Type	Electric
-----------	----------

Door Style	Side Swing
------------	------------

Reversible Door	Yes
-----------------	-----

Number of Dryer Cycles	36
------------------------	----

Selection of Drying Cycles	Bulky Items
	Colors
	Delicates
	Gentle
	Heavy Duty
	Normal
	Quick Dry
	Regular
	Timed Dry
	Towels
	Whites
	Wrinkle Control

Dryer Option Selections	Control Lock
	Cycle Signal
	Damp Dry
	Signal
	Eco
	Speed
	Wrinkle Shield™

Dimensions

Product Dimensions (H x W x D)	38-5/16" x 27" x 31-3/16"
--------------------------------	---------------------------

Depth with Door Open 90°	54-3/8"
--------------------------	---------

Maximum Vent Length	N/A
---------------------	-----

Venting Direction	N/A
-------------------	-----

Ventless	Yes
----------	-----

Reference Material

[Install Guide](#)

[Use & Care Guide](#)

[Energy Guide](#)

[Warranty](#)

Key Features & Benefits

Wrinkle Shield™ Option

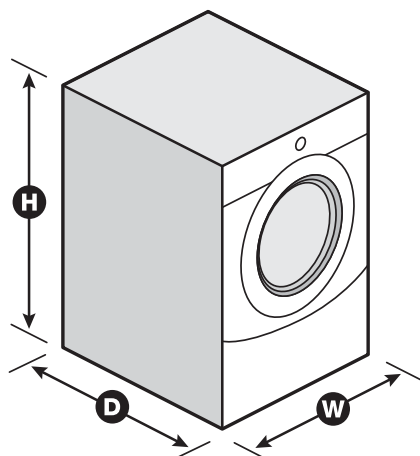
Help keep wrinkles from setting into clean, dry fabrics with the Wrinkle Shield™ option. It keeps clothes tumbling for up to 150 minutes after the cycle ends or until you open the door.

7.4 cu. ft. Capacity

Get plenty of room to dry the large loads you washed in the matching front load washer. This 7.4 cu. ft. dryer easily handles bulky items like comforters and sleeping bags.

ENERGY STAR® Certified

ENERGY STAR® certified models exceed government standards to help conserve natural resources and save money on your utility bills.



NOTE: Dimensions are for planning purposes only. For complete details, see Installation Instructions packed with product. Specifications subject to change without notice.

®/™ © 2020. All rights reserved. Printed in the U.S.A. D200104XXD. WHD862CHSpecSheetV01.