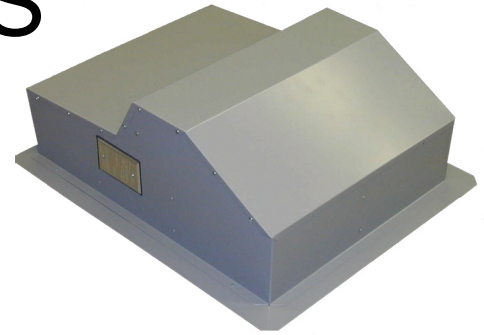
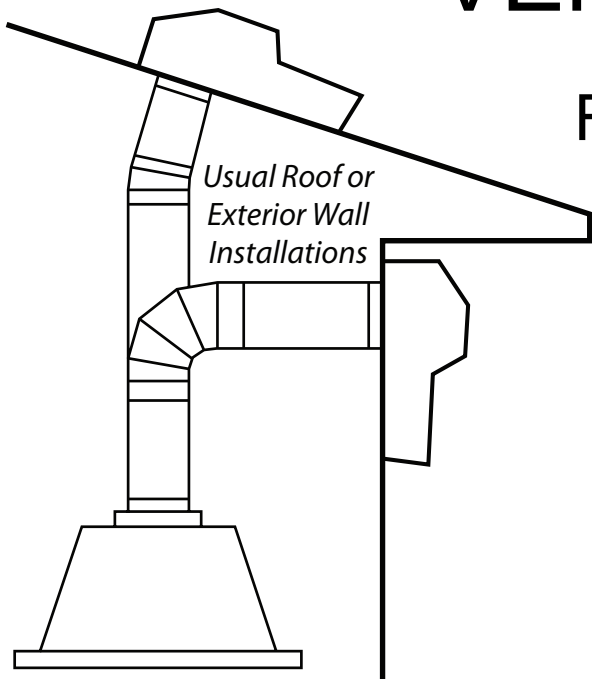


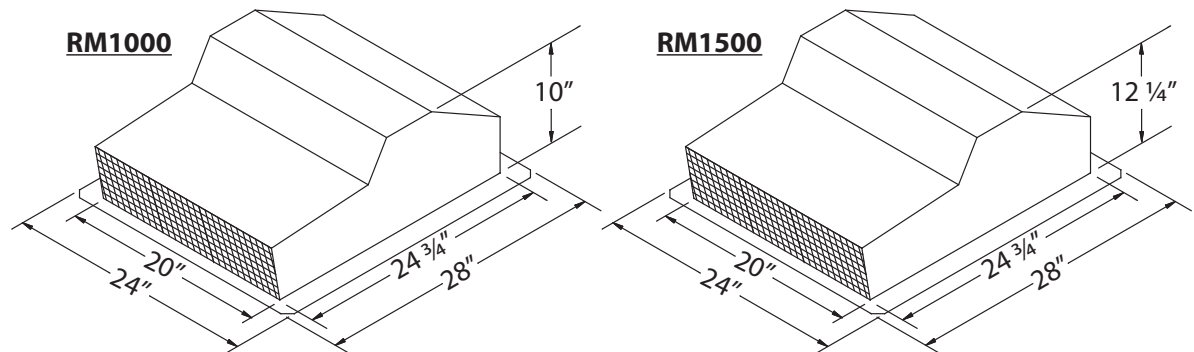
# Vent-A-Hood®

## EXTERIOR MOUNT VENTILATORS

For Roof Or  
Wall Mount



Dimensions of Two Model Sizes



### CFM Ratings and Electrical Specifications

Model	CFM At Static Pressure Ps = Inches of Water					Volts	Amps	Hz	Duct Size
	0.0" Ps	0.1" Ps	0.2" Ps	0.3" Ps	0.5" Ps				
RM1000	945	922	884	852	770	120	3.2	60	10"
RM1500	1500	1455	1410	1375	1295	120	5.0	60	10"

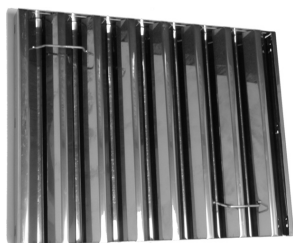
### FEATURES...

- All steel construction, powder coated for weather resistance
- Automatic built-in back draft damper
- Attached bird/pest screen
- Built-in flashing template for easy roof installation

# Vent-A-Hood®

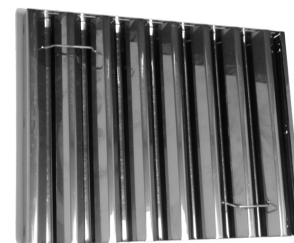
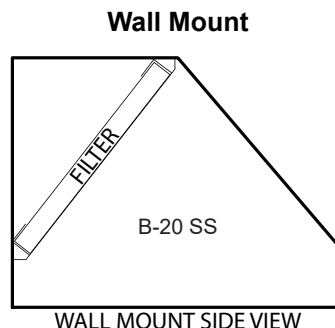
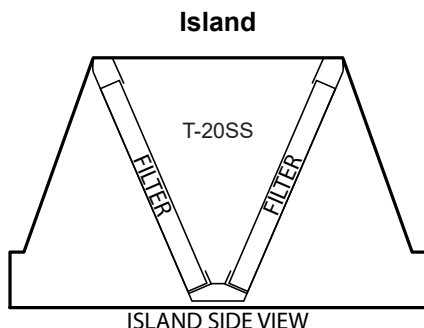
## Remote Blower Filters and Accessories

### Stainless Steel Baffle Filters



**MODEL T-20SS**

Island hoods have two 20" filters in a "V". Wider hoods should use more than one "V" bank of filters



**MODEL B-20SS**

Filter Length 20". Specify one filter for each 21" of top hood width.

## ACCESSORY KITS

### HALOGEN LIGHTS

Order one accessory kit for each Vent-A-Hood remote blower. Accessory kits include lights, back draft dampers, and outlet collar for the appropriate blower. Accessory kits are available for most hood models with halogen lights.

#### ACCESSORY KIT FOR RM1000/RM1500

INCLUDES LED LIGHTS, TWO STAGE LIGHT SWITCH, SOLID STATE MOTOR CONTROL SWITCH (VARIABLE SPEED), AND 10" DAMPER ASSEMBLY INSTALLED IN HOOD.

MODEL NUMBER	APPLICATION*	HOOD WIDTHS*	# OF LIGHTS	KIT AMPS
ACC.KIT-W-H2	WALL MOUNT	24" - 41"	2	0.5
ACC.KIT-W-H3	WALL MOUNT	42" - 53"	3	0.5
ACC.KIT-W-H4	WALL MOUNT	54" - 66"	4	0.5
ACC.KIT-I-H4	ISLAND	36" - 59"	4	0.5
ACC.KIT-I-H8	ISLAND	60" - 66"	8	0.5

+USE WALL MOUNT MODELS FOR UNDER CABINET HOODS AND WALL MOUNT LINER INSERTS. USE ISLAND MODELS FOR ISLAND LINER INSERTS.

\* LISTED WIDTHS ARE FOR STANDARD MODELS ONLY. PLEASE CONTACT THE FACTORY FOR INFORMATION ABOUT KITS FOR LINER INSERTS OR CUSTOM HOODS.

ADD MODEL P1500R FOR MOTOR CONTROL WALL SWITCH ASSEMBLY (ORDERED WITH HOOD)

## CHOOSE THE VENT-A-HOOD YOU DESIRE

- Choose your Vent-A-Hood model number
- Choose desired filter(s) (Island or Wall Mount) and quantity
- Choose desired accessory kit or kits needed
- Choose RM1000 or RM1500 remote ventilation