

FEATURES & BENEFITS



BLACK SOLID



BLACK SOLID (LOCK)



WHITE SOLID



WHITE SOLID (LOCK)

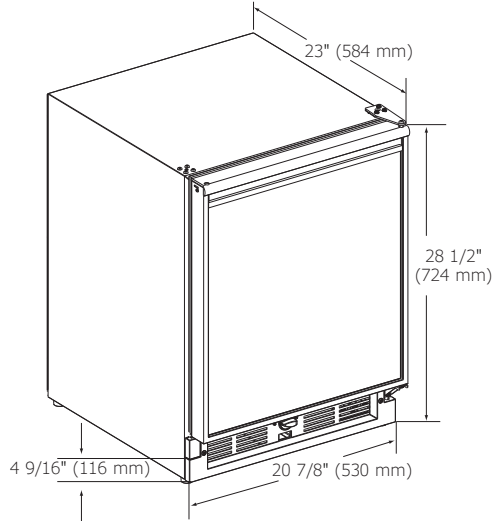
| | |
|--------------------------|---|
| PERFORMANCE | <ul style="list-style-type: none"> • Volume of 3.3 cu ft holds up to 35 bottles (12 oz) or 48 cans (12 oz) • Mechanical Dial Control is conveniently located on the grille • Temperature range: 34°F - 45°F • Passive cooling system |
| INTERIOR/EXTERIOR | <ul style="list-style-type: none"> • Three removable tempered glass shelves • Three fixed shelves in door • Door swing is field reversible for non-lock models, and is shipped right-hand hinged • Door lock models are available, and must be ordered hinge specific |
| INTEGRATION | <ul style="list-style-type: none"> • Unit is designed to be built-in or can be freestanding • Non-lock models accepts a 1/4" custom insert panel • Available in the following finishes: Black or White |

MODEL DETAILS

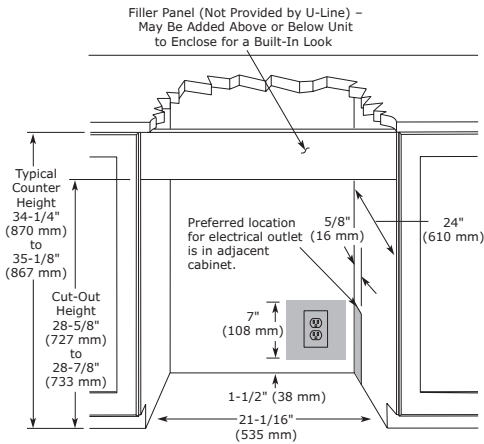
| Model | Voltage/Hz | Door Swing | Finish | Shipping Weight |
|------------|------------|------------------|--------------------|-----------------|
| U-29RB-00A | 115 / 60 | Field Reversible | Black Solid | 89 lb |
| U-29RB-13A | 115 / 60 | Right-Hand Hinge | Black Solid (Lock) | 89 lb |
| U-29RB-15A | 115 / 60 | Left-Hand Hinge | Black Solid (Lock) | 89 lb |
| U-29RW-00A | 115 / 60 | Field Reversible | White Solid | 89 lb |
| U-29RW-13A | 115 / 60 | Right-Hand Hinge | White Solid (Lock) | 89 lb |
| U-29RW-15A | 115 / 60 | Left-Hand Hinge | White Solid (Lock) | 89 lb |

DIMENSIONS

Dimensions shown apply to all finishes.



CABINET CUT-OUT



INSTALLATION NOTES

- Cutout includes the additional 1/4" width overall to ensure proper installation.
- No additional clearance around sides, top or rear of unit is needed for ventilation.
- Do not obstruct front grille air flow.

SPECIFICATIONS

| | |
|-----------------------------------|----------------------|
| Model | 29R |
| Amps: Running | 1.2 |
| Capacity: Bottle (12 oz) | 35 |
| Capacity: Can (12 oz) | 48 |
| Capacity: Volume (cu ft) | 3.3 |
| Control Type | Mechanical Dial |
| Dimensions: Product Depth | 23" / 584 mm |
| Dimensions: Product Height | 28 1/2" / 724 mm |
| Dimensions: Product Width | 20 7/8" / 530 mm |
| Energy Consumption: Avg. Per Year | 260 kWh |
| ENERGY STAR / CEE RATING | ENERGY STAR / Tier 1 |
| Panel Thickness | 1/4" (6.3 mm) |
| Panel Dimensions: Height | 21 13/32" (544mm) |
| Panel Dimensions: Width | 19 13/16" (503mm) |
| Product Weight: Max | 80 lb |
| Refrigerant Type | R600a |
| Sabbath (Star K Certified) | No |
| Temperature Range | 34°F - 45°F |

COOLING SYSTEM



ELECTRICAL REQUIREMENTS

This unit requires a grounded, polarized 115 VAC, 60 Hz, 15 A power supply (normal household current).



Please visit u-line.com to view this model's User Guide & Service Manual. All Specifications are subject to change without notice.