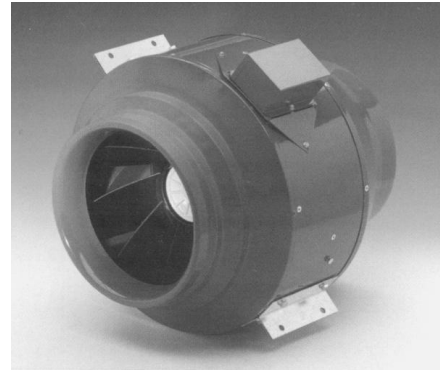


Professional Series Models:

Model	Weight	Amps	CFM
PSX006XL	12 lbs	1.26	392
PSD008XL	19 lbs	2.99	836
PSD010XL	21 lbs	4.84	1266



Description

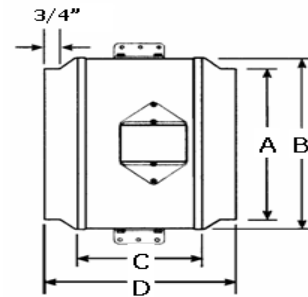
Featuring a galvanized steel housing with a powdercoat finish, Trade-Wind® In-Line Blowers are designed to be installed “in-line” with a Trade-Wind® or comparable wood hood liner. These fans are specifically designed to provide efficient, high velocity air movement by combining the best elements of high flow axial designs with the power of a centrifugal squirrel cage blower. Direct Drive motor construction eliminates the need for continuous belt alignment, tension adjustments and maintenance.

Dimensions

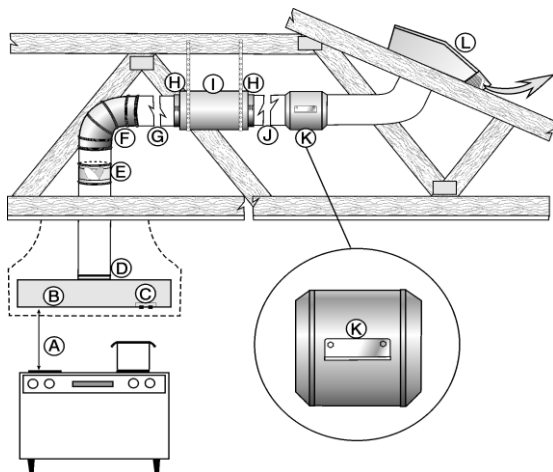
Model	A	B	C	D
PSX006XL	6"	13 1/4"	6 1/2"	8 1/4"
PSD008XL	8"	12 1/2"	7"	15 1/2"
PSD010XL	10"	14"	8"	15"

Above specifications apply to picture on right >

Side View



Typical Installation



Installation Considerations

(This applies to Illustration on the Left)

Trade-Wind® In-Line Blower Mechanism (K), Duct Silencer (I), Damper (E) and two Fast Clamps (H) which are placed on each side of the Duct Silencer (I). This picture illustrates the required progression but the orientation can /will vary. In other words, although the In-Line Blower and Duct Silencer in this illustration are in a horizontal position, they can be installed at any angle. **Attic installations are highly recommended.**

Note: In the illustration (left): F is the ducting elbow; G is the duct pipe of some variable length for specific application; J is the same as G but on the other side of the Duct Silencer (I); and L is the Roof Cap or Wall Cap that is to be sized the same sq in opening as duct pipe. The A, B, C, and D are the specifications dictated by the the customer's Designer or Builder...

To ensure the overall ventilation system operates as designed, please carefully review the Installation Instructions included with the individual products. These guidelines are the manufacturer's suggestions. Always observe local, municipal and state building codes.



WARRANTY

TRADE-WIND Remote/In-Line Blower

What IS Covered:

Trade-Wind Manufacturing, LLC warrants its Trade-Wind[®] Remote/ In-Line Blower ventilation products to the original user, to be free of defects in materials and workmanship for one (1) year from the date of purchase.

Trade-Wind Manufacturing, LLC at its option, will repair or replace the complete unit or any defective component without charge. This warranty may be voided if any unauthorized service, alterations, or repairs are made to the product.

What is NOT Covered :

- Normal maintenance and service of any product that has been subject to misuse, negligence, accident or installation inconsistent with the recommended installation instructions.
- Product used other than for normal in-home use or products used outside of the United States and Canada.
- Damage to the product caused by accident, fire, flood or other acts of God.
- Service calls to educate the customer in the proper use and care of the product, correct faulty installation, change fuses or reset breakers.

Trade-Wind Manufacturing, LLC. disclaims and excludes any liability for implied warranties or for incidental or consequential damages wherever permitted by law. There are no implied warranties of merchantability or fitness for a particular use or purpose. This warranty gives you specific legal rights and you may also have other rights, which vary from state to state.

For Repair: If you need repair on your Trade-Wind[®] Remote/ In-Line Blower Ventilation Product, visit our website at: www.t-wusa.com and click on the "Contact Us" tab. Fill out the simple form providing the model number, date of purchase, and brief description of the problem. Proof of purchase will also be required.

Warranty Revised 6/11/18

Trade-Wind Manufacturing, LLC has a policy of continuous improvements and reserves the right to modify (at any time and without notice) any or all of its products, features, designs, components and specifications. *For exact dimensions, see the Installation Instructions included with each product.* Some features may be slightly different than shown on product literature.



For more information, please contact your dealer or Trade-Wind[®] Representative

800 West Grant Street, Phoenix, AZ 85007

1-800-955-5737

602-900-8500

t-wusa.com

