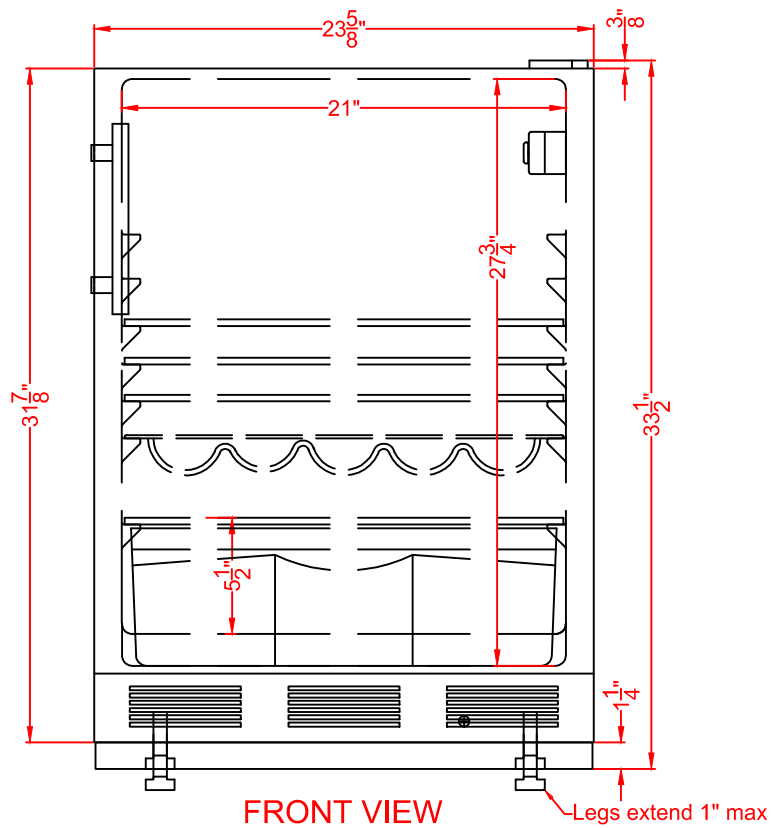


TOP VIEW



FRONT VIEW

**FF708BLSSRS**  
**Refrigerator**  
**04/24/23**

**SUMMIT**  
 FELIX STORCH, INC.  
[www.summitappliance.com](http://www.summitappliance.com)  
**718-393-3900**