



## ST8646XU

24" Pre-Finished Dishwasher with Finger Print Proof Stainless Steel, Maxi-height Door and Professional Handle

EAN13: 8017709173456

Full size tub

Hidden stainless steel electronic control panel

Self-balancing door

9 wash cycles including Crystal washing,

**Economy cycle and Speed (27min)**

Sanitation

Condenser Drying

Stainless steel tub and filter

Concealed heating element

Half load

Delay timer (up to 9 hours)

5 temperatures: 100°F, 113°F, 122°F, 149°F, 158°F

### **Orbital Wash system**

Complete water Leak Protection System

### **13 place settings**

Enameled steel baskets

Adjustable upper basket to accommodate plates up to 13 ¾" in diameter

2 cutlery baskets

4 flip-down spike rails on lower basket

2 glass support racks in upper basket

Lower basket with double foldable rack

Noise level 46dB (A)

Energy star rated

Height leveling legs

Voltage rating: 120V - 60Hz

Nominal power: 13 Amp - 1,800W

Voltage 110-120V: Frequency 60Hz.

Water usage: normal/short cycle: 3.54 / 1.72 gal.



## Functions



**SMEG U.S.A. INC.  
A&D BUILDING  
150 EAST 58th STREET, 7th FLOOR  
NEW YORK, NY, 10155  
Tel. +1 212 265 5378  
Fax +1 212 265 5945**



**ST8646XU**

built-in  
24"  
antifingerprint st/steel  
orbital



**Delay Timer:**



A standard feature on all Smeg dishwashers is a delay timer. This feature allows you to select the required wash program and delay the start of the cycle for up to a maximum of 12 hours. This way the dishwasher fits in with your schedule.

**Energy Star and ISO14001 Certified:**

The Smeg production process is carefully managed in order to keep the impact upon the environment as low as possible. The process is checked and certified by Independent International bodies IQNET and CISQ (Smeg complies with the standard ISO14001). All Smeg dishwashers are ENERGY STAR qualified. Energy efficiency is important to Smeg and our technicians are constantly working to keep the energy, and water, consumption of each dishwasher as low as possible. ENERGY STAR certified products use less water than conventional dishwashers, and approximately 40% less energy than the federal minimum standard for energy consumption. By choosing an ENERGY STAR certified product you are helping to preserve the environment without compromising on product quality or performance.



**Sanitation:**



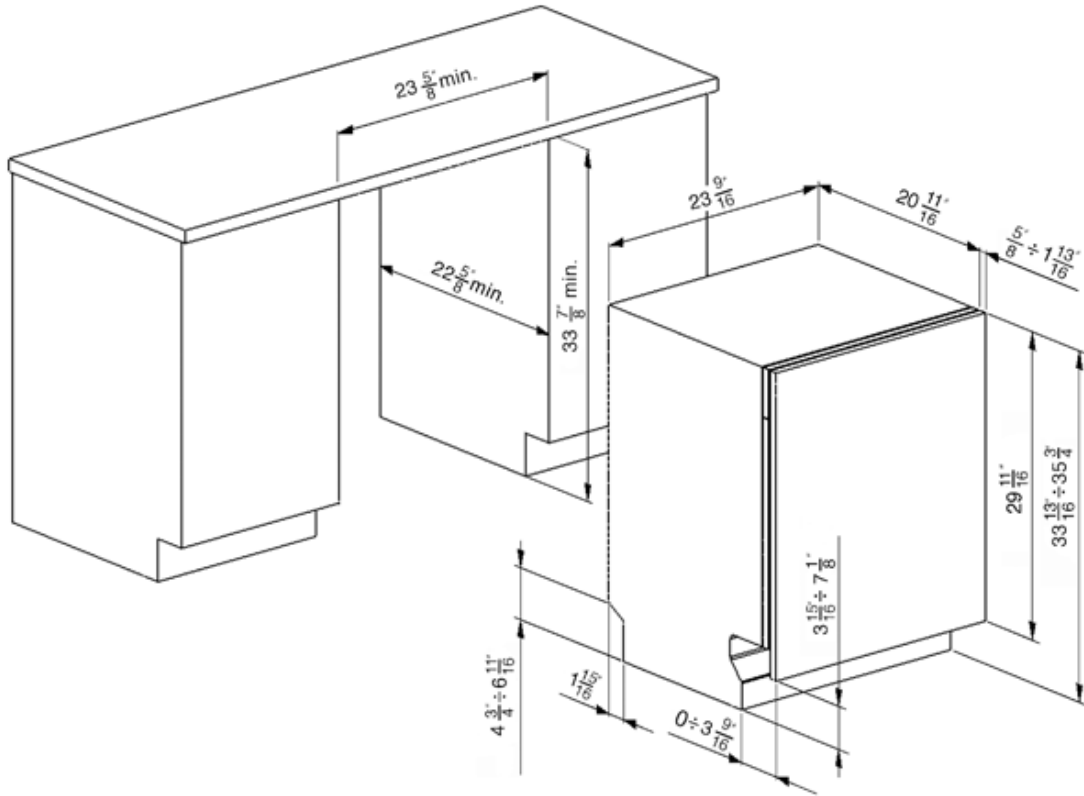
Every dishwasher in the Smeg series has at least one wash program that incorporates a final sanitation rinse. A special final 10 minute rinse at 158°F is added to the end of certain programs to ensure the highest possible standards of cleanliness and hygiene. Smeg dishwashers are ETL sanitation certified.

**SMEG U.S.A. INC.  
A&D BUILDING  
150 EAST 58th STREET, 7th FLOOR  
NEW YORK, NY, 10155  
Tel. +1 212 265 5378  
Fax +1 212 265 5945**



ST8646XU

built-in  
24"  
antifingerprint st/steel  
orbital



SMEG U.S.A. INC.  
A&D BUILDING  
150 EAST 58th STREET, 7th FLOOR  
NEW YORK, NY, 10155  
Tel. +1 212 265 5378  
Fax +1 212 265 5945