



Manuel d'Instructions
Instructions Manual
Manual de instrucciones

KSM24XU – KSM30XU- KSM36XU

INDEX

| | |
|---------------------------------------|----|
| WARNINGS AND REQUIREMENTS | 3 |
| RECOMMENDATIONS AND SUGGESTIONS | 6 |
| DIMENSIONS and MAIN PARTS | 7 |
| INSTALLATION..... | 8 |
| USE | 11 |
| CARE | 12 |

READ AND SAVE THESE INSTRUCTIONS

The Installer must leave these instructions with the homeowner.

The homeowner must keep these instructions for future reference and for local electrical inspectors' use.

READ THESE INSTRUCTIONS BEFORE YOU START INSTALLING THIS RANGEHOOD

WARNING: - TO REDUCE THE RISK OF A RANGE TOP GREASE FIRE: Never leave surface units unattended at high settings. Boilovers cause smoking and greasy spillovers that may ignite. Heat oils slowly on low or medium setting. Always turn hood ON when cooking at high heat or when flambéing food (i.e. Crepes Suzette, Cherries Jubilee, Peppercorn Beef Flambé). Clean ventilating fans frequently. Grease should not be allowed to accumulate on fan or filter. Use proper pan size. Always use cookware appropriate for the size of the surface element.

WARNING: - TO REDUCE THE RISK OF INJURY TO PERSONS IN THE EVENT OF A RANGE TOP GREASE FIRE, OBSERVE THE FOLLOWING: SMOTHER FLAMES with a close-fitting lid, cookie sheet, or metal tray, then turn off the burner. **BE CAREFUL TO PREVENT BURNS.** If the flames do not go out immediately **EVACUATE AND CALL THE FIRE DEPARTMENT. NEVER PICK UP A FLAMING PAN** - You may be burned. **DO NOT USE WATER**, including wet dishcloths or towels - a violent steam explosion will result. Use an extinguisher **ONLY** if: 1. You know you have a Class ABC extinguisher, and you already know how to operate it. 2. The fire is small and contained in the area where it started. 3. The fire department is being called. 4. You can fight the fire with your back to an exit.

ALL WALL AND FLOOR OPENINGS WHERE THE RANGEHOOD IS INSTALLED MUST BE SEALED.

This rangehood requires at least 24" of clearance between the bottom of the rangehood and the cooking surface or countertop. Consult the cooktop or range installation instructions given by the manufacturer before making any cutouts. **MOBILE HOME INSTALLATION.** The installation of this rangehood must conform to the Manufactured Home Construction and Safety Standards, Title 24 CFR, Part 3280 (formerly Federal Standard for Mobile Home Construction and Safety, Title 24, HUD, Part 280). Four wire power supply must be used and the appliance wiring must be revised. See Electrical Requirements.

VENTING REQUIREMENTS

CAUTION - To reduce risk of fire and to properly exhaust air, be sure to duct air outside – Do not vent exhaust air into spaces within walls or ceilings or into attics, crawl spaces, or garages".

Check which venting method is best for your application. Ductwork can extend either through the wall or the roof. The length of the ductwork and the number of elbows should be kept to a minimum to provide efficient performance. The size of the ductwork should be constant. Do not install two elbows together. Use duct tape to seal all joints in the ductwork system. Use caulking to seal exterior wall or floor opening around the cap.

Flexible ductwork is not recommended. Flexible ductwork creates back pressure and air turbulence that greatly reduces performance.

Make sure there is proper clearance within the wall or floor for exhaust duct before making cutouts. Do not cut a joist or stud unless absolutely necessary. If a joist or stud must be cut, then a supporting frame must be constructed.

WARNING - To Reduce The Risk Of Fire, Use Only Metal Ductwork.

WARNING

- Venting system **MUST** lead the air outside the building.
- **DO NOT** expel the air through a ductwork in an attic or other enclosed space.
- **DO NOT** use 4" laundry-type wall caps.
- Flexible-type ductwork is **NOT** recommended.
- **DO NOT** obstruct the flow of combustion and ventilation air.
- Failure to follow venting requirements may result in a fire.

ELECTRICAL REQUIREMENTS

A 120 volt, 60 Hz AC-only electrical supply is required on a separate 15 amp fused circuit. A timedelay fuse or circuit breaker is recommended. The fuse must be sized per local codes in accordance with the electrical rating of this unit as specified on the serial/rating plate located inside the unit near the field wiring compartment. **THIS UNIT MUST BE CONNECTED WITH COPPER WIRE ONLY.** Wire sizes must conform to the requirements of the National Electrical Code, ANSI/NFPA 70 - latest edition, and all local codes and ordinances. Wire size and connections must conform with the rating of the appliance. Copies of the standard listed above may be obtained from:

National Fire Protection Association
Batterymarch Park
Quincy, Massachusetts 02269

This appliance should be connected directly to the fused disconnect (or circuit breaker) through flexible, armored or nonmetallic sheathed copper cable. Allow some slack in the cable so the appliance can be moved if servicing is ever necessary. A UL Listed, 1/2" conduit connector must be provided at each end of the power supply cable (at the appliance and at the junction box).

When making the electrical connection, cut a 1 1/4" hole in the wall. A hole cut through wood must be sanded until smooth. A hole through metal must have a grommet.

WARNING - TO REDUCE THE RISK OF FIRE OR ELECTRIC SHOCK, do not use this fan with any solid-state speed control device.

WARNING - TO REDUCE THE RISK OF FIRE, ELECTRICAL SHOCK, OR INJURY TO PERSONS, OBSERVE THE FOLLOWING: Use this unit only for the purpose intended by the manufacturer. If you have any questions, contact the manufacturer.

Before servicing or cleaning the unit, switch power off at service panel and lock the service disconnecting means to prevent power from being switched on accidentally. When the service disconnecting means cannot be locked, securely fasten a prominent warning device, such as a tag, to the service panel.

CAUTION: For General Ventilating Use Only. Do Not Use To Exhaust Hazardous or Explosive Materials and Vapors.

WARNING - TO REDUCE THE RISK OF FIRE, ELECTRICAL SHOCK, OR INJURY TO PERSONS, OBSERVE THE FOLLOWING: Installation Work And Electrical Wiring Must Be Done By Qualified Person(s) In Accordance With All Applicable Codes And Standards, Including Fire-Rated Construction.

Sufficient air is needed for proper combustion and exhausting of gases through the flue (chimney) of fuel burning equipment to prevent backdrafting. Follow the heating equipment manufacturer's guideline and safety standards such as those published by the National Fire Protection Association (NFPA), and the American Society for Heating, Refrigeration and Air Conditioning Engineers (ASHRAE), and the local code authorities.

When cutting or drilling into wall or ceiling, do not damage electrical wiring and other hidden utilities.

Ducted fans must always be vented to the outdoors.

W A R N I N G

- Electrical ground is required on this rangehood.
- If cold water pipe is interrupted by plastic, nonmetallic gaskets or other materials, DO NOT use for grounding.
- DO NOT ground to a gas pipe.
- DO NOT have a fuse in the neutral or grounding circuit. A fuse in the neutral or grounding circuit could result in electrical shock
- Check with a qualified electrician if you are in doubt as to whether the rangehood is properly grounded.
- Failure to follow electrical requirements may result in a fire.

RECOMMENDATIONS AND SUGGESTIONS

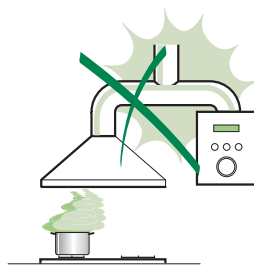
⚠ The Instructions for Use apply to several versions of this appliance. Accordingly, you may find descriptions of individual features that do not apply to your specific appliance.

INSTALLATION

- The manufacturer will not be held liable for any damages resulting from incorrect or improper installation.
- Check that the main voltage corresponds to that indicated on the rating plate fixed to the inside of the hood.
- The electrical supply must be properly and sufficiently grounded. Connect the extractor to the exhaust flue through a pipe of minimum diameter 6". The route of the flue must be as short as possible.
- Do not connect the extractor hood to exhaust ducts carrying combustion fumes (boilers, fireplaces, etc.).
- If the extractor is used in conjunction with non-electrical appliances (e.g. gas burning appliances), a sufficient degree of aeration must be guaranteed in the room in order to prevent the backflow of exhaust gas. The kitchen must have an opening communicating directly with the open air in order to guarantee the entry of clean air.

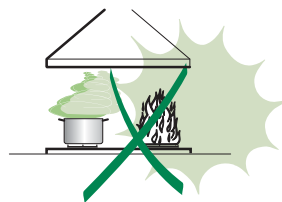
USE

- The range hood has been designed exclusively for domestic use to eliminate kitchen odors.
- Never use the hood for purposes other than for which it has been designed.
- Never leave high naked flames under the hood when it is in operation.
- Adjust the flame intensity to direct it onto the bottom of the pan only, making sure that it does not engulf the sides.
- Deep fat fryers must be continuously monitored during use: overheated oil can burst into flames.
- The hood should not be used by children or persons not instructed in its correct use.



CARE

- Switch off or unplug the appliance from the main supply before carrying out any maintenance work.
- Clean and/or replace the Filters after the specified time period.
- Clean the hood using a damp cloth and a neutral liquid detergent..

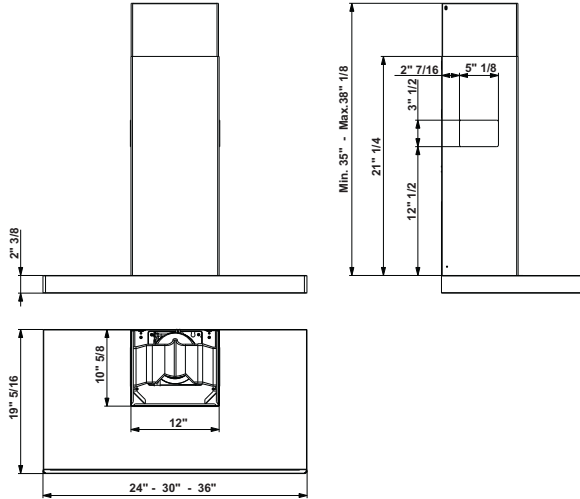


THERMAL PROTECTOR

The range hood is equipped with a thermal protector to avoid overheating conditions. If the range hood shuts off in use, press the on/off button to return off range hood. Wait approximately **90 minutes**, then press the on/off button to restart the range hood.

DIMENSIONS and MAIN PARTS

Dimensions



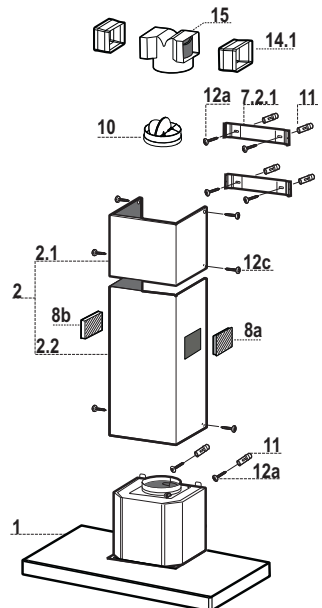
Components

| Ref. | Q.ty | Product Components |
|------|------|--|
| 1 | 1 | Hood Body, complete with: Controls, Light, Blower, Filters |
| 2 | 1 | Telescopic Chimney comprising: |
| 2.1 | 1 | Upper Section |
| 2.2 | 1 | Lower Section |
| 8a | 1 | Right Air Outlet Grill Aria |
| 8b | 1 | Left Air Outlet Grill Aria |
| 10 | 1 | Damper |
| 14.1 | 2 | Air Outlet Connection Extension |
| 15 | 1 | Air Outlet Connection |

| Ref. | Q.ty | Installation Components |
|-------|------|---------------------------------------|
| 7.2.1 | 2 | Upper Chimney Section Fixing Brackets |
| 11 | 6 | Wall Plugs (if supplied) |
| 12a | 6 | Screws 3/16" x 1" 3/4 |
| 12c | 6 | Screws 1/8" x 3/8" |

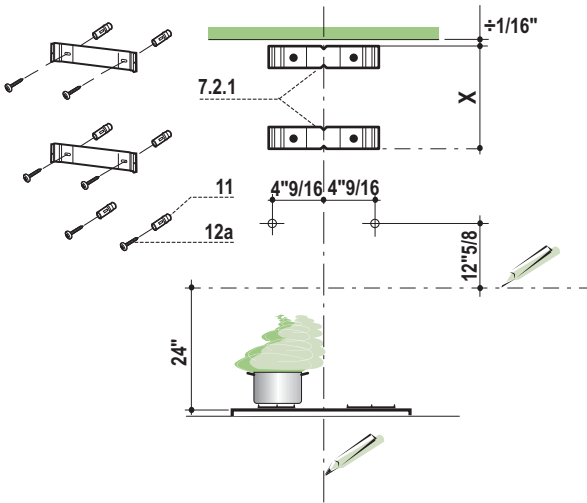
Q.ty Documentation

| | |
|---|--------------------|
| 1 | Instruction Manual |
|---|--------------------|



INSTALLATION

Wall drilling and bracket fixing

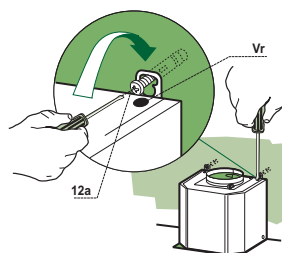


Wall marking:

- Draw a vertical line on the supporting wall up to the ceiling, or as high as practical, at the center of the area in which the hood will be installed.
- Draw a horizontal line at 24" above the hob.
- Place bracket **7.2.1** on the wall as shown about 1/16" from the ceiling or upper limit aligning the center (notch) with the vertical reference line.
- Mark the wall at the centers of the holes in the bracket.
- Place bracket **7.2.1** on the wall as shown at X" below the first bracket (X = height of the upper chimney section supplied), aligning the center (notch) with the vertical line.
- Mark the wall at the centers of the holes in the bracket.
- Mark a reference point as indicated at 4" 9/16 from the vertical reference line and 13" 3/8 above the horizontal reference line.
- Repeat this operation on the other side.
- Drill $\varnothing 5/16$ " holes at all the center points marked.
- Insert the wall plugs **11** in the holes.
- Fix the brackets using the **12a** screws supplied.
- Insert the two screws **12a** supplied in the hood body fixing holes, leaving a gap of 3/16" between the wall and the head of the screw.

Mounting the hood body

- Before attaching the hood body, tighten the two screws **Vr** located on the hood body mounting points.
- Hook the hood body onto the screws **12a**.
- Fully tighten support screws **12a**.
- Adjust screws **Vr** to level the hood body.



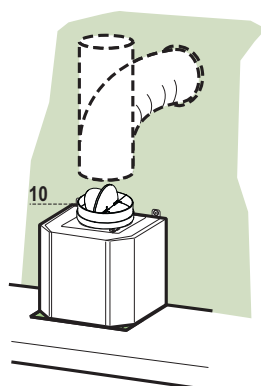
Note: The Hood body should be secured to wall studs. If necessary, install a wood support behind the dry wall, flush mounted between 2 studs. This will provide the necessary structure and support for mounting.

Connections

DUCTED VERSION AIR EXHAUST SYSTEM

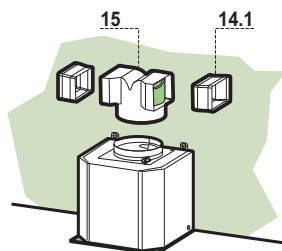
When installing the ducted version, connect the hood to the chimney using a rigid 6" duct.

- Install the damper **10** \varnothing 6".
- Fix the duct in position using sufficient pipe clamps (not supplied).



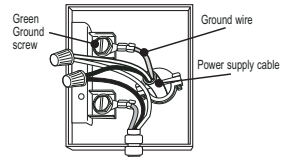
DUCTLESS VERSION AIR OUTLET

- Push fit connection **15** onto the hood body outlet.
- Insert the connection extension pieces laterally **14.1** in connection **15**.
- Make sure that the outlet of the extension pieces **14.1** is horizontally and vertically aligned with the chimney outlets. If this is not the case, adjust the position by either reversing the connection extension pieces **14.1** and then reassemble as described previously.
- Ensure that the activated charcoal filters have been inserted.



ELECTRICAL CONNECTION

- Remove the cover from the Field Wiring Compartment with a phillips screwdriver.
- Feed the Power Supply Cable through the electrical knockout. Connect the Power Supply Cable to the range-hood cable. Attach the Power Supply Cable grounding lead to the green screw provided. Attach the White lead of the power supply to the White lead of the rangehood with a twist-on type wire connector. Attach the Black lead of the power supply to the Black lead of the rangehood with a twist-on type wire connector.
- Replace the cover.



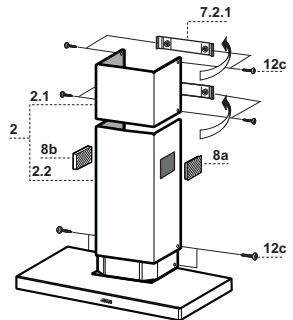
Chimney assembly

Upper exhaust chimney

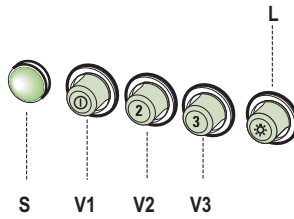
- Slightly widen the two sides of the upper flue and hook them behind the brackets **7.2.1**, making sure that they are well seated.
- Secure the sides to the brackets using the 4 screws **12c** supplied.

Lower exhaust chimney

- Slightly widen the two sides of the flue and hook them between the upper flue and the wall, making sure that they are well seated.
- Fix the lower part laterally to the hood body using the 2 screws **12c** supplied.
- On the recirculation version, fit the directional grids **8a – 8b** in their housings making sure that the directional symbols are towards the top and front of the hood. Also make sure that they are correctly inserted in the connection extension pieces **14.1**.



USE



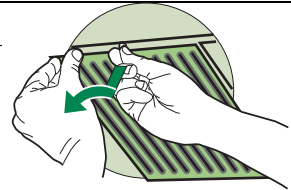
Control board

| | | |
|-----------|-----------|--|
| L | Light | Switches the lighting system on and off. |
| S | Led | Motor running led. |
| V1 | Motor | Switches the extractor motor on and off at low speed. Used to provide a continuous and silent air change in the presence of light cooking vapours. |
| V2 | Speed | Medium speed, suitable for most operating conditions given the optimum treated air flow/noise level ratio. |
| V3 | Intensive | Maximum speed, used for eliminating the highest cooking vapour emission, including long periods. |

CARE

Metal grease filters

- The filters must be cleaned every 2 months of operation, or more frequently for particularly heavy usage, and can be washed in a dishwasher.
- Remove the filters one at a time, supporting them with one hand and turning the safety knobs (pull and turn).
- Wash the filters. Pay attention not to bend them. Make sure that filters are completely dry before putting them into their seat.
- Place the filters again into their seats and make sure that the handle of the filter remains outside.

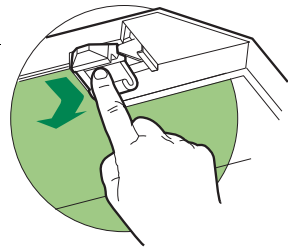


Activated charcoal filter (Ductless version)

These filters are not washable and cannot be regenerated, and must be replaced approximately every 4 months of operation, or more frequently with heavy usage.

REPLACING THE ACTIVATED CHARCOAL FILTER

- Remove the metal grease filters.
- Remove the charcoal filter as indicated in the picture.
- Place the filter again into its seat.
- Place again the metal grease filters into their place.



Lighting

LIGHT REPLACEMENT

20 W halogen light.

- Remove the 2 screws fixing the Lighting support, and pull it out of from the Hood.
- Extract the lamp from the Support.
- Replace with another of the same type, making sure that the two pins are properly inserted in the lamp holder socket holes.
- Replace the Support, fixing it in place with the two screws removed as above.

