

# 2015



MOM FRIENDLY. DAD READY.™



*Exclusive Sedona Island Packages are complete,  
including the island*

SEDONA BY LYNX™

## MOM FRIENDLY. DAD READY.

All Sedona by Lynx™ products are designed with the family in mind.

Quality materials. Fine craftsmanship. Innovative features and technology. These attributes have earned Lynx products a reputation for excellence among outdoor-dining enthusiasts.

Created by a team with decades of experience meeting the demanding requirements of the commercial restaurant industry, Lynx products have always been designed to combine high performance and luxurious appearance with long-term durability for reliable year-round grilling.

The Lynx commitment to continuous innovation has introduced numerous industry firsts. Including a hood assist kit that makes raising and lowering the grill hood effortless. And ProSear™ infrared burners that allow unprecedented variable temperature control. Advances such as these have made the Lynx name synonymous with the best in outdoor cooking. And they make Sedona by Lynx an exceptional value for those in search of much more than an ordinary grill.





## SEDONA BY LYNX™ – WELCOME TO A HIGHER STANDARD

The true value of a grill is in the cooking performance, ease of use and enduring beauty it brings to your outdoor kitchen. By every measure, Sedona by Lynx™ clearly stands apart.

As you'll see throughout the following pages, Sedona Grills and related accessories are designed in every detail to exceed your expectations and enhance your outdoor entertaining pleasure.

Crafted by the Lynx Grill specialists at our factory in Southern California, each Sedona Grill displays the meticulous fit and finish and high-quality materials that have made Lynx products favorites of grilling enthusiasts.

Sedona Grills are available in a wide variety of configurations. Endowed with innovative Lynx features, they set a higher standard for luxurious outdoor dining by making it easier than ever to prepare great meals cooked to perfection.



# UNIQUE PROSEAR™ TECHNOLOGY PROVIDES VARIABLE TEMPERATURE CONTROL



## PROSEAR™ VARIABLE SEARING TECHNOLOGY FROM SIMMER TO SEAR

- Unlike many grills with infrared searing burners that only offer two settings – hi or off – the Lynx ProSear™ infrared burner is variable
- You can sear a baseball-cut filet mignon restaurant style, then throttle back to cook delicate seafood like scallops
- This is the acclaimed ProSear™ burner for which Lynx has been known for years



# PROFESSIONAL CHEF FEATURES AND BENEFITS

The innovative features, unparalleled performance and superior craftsmanship of Sedona by Lynx™ Grills are available in 24", 30", 36" and 42" configurations for built-in or freestanding applications.



## 18-SR STAINLESS STEEL BURNERS

Durable stainless steel tube burners positioned under briquettes ensure instant ignition with steady and even heat distribution

Twelve Year Warranty



## SUPERIOR FIT AND FINISH

All stainless steel construction

Continuously welded joints for quality, strength and beauty

Finished seams with finely polished edges



## CONTROL KNOBS ILLUMINATED WITH BLUE LED LIGHTS

Each knob features dedicated LED lighting

Knob markings can easily be viewed at night

Single switch activation



## INTERNAL HALOGEN GRILL SURFACE LIGHT

Effectively illuminates the entire grilling surface using a heavy-duty ceramic glass lens directly over the grilling surface

10 watt halogen light

# PROFESSIONAL CHEF FEATURES AND BENEFITS



## SPARK IGNITION SYSTEM

Reliable spark ignition

Activated by burner control knobs

Battery back-up in event of a power failure



## CERAMIC RADIANT BRIQUETTES

Specially designed high-density ceramic

Even heat across the entire grilling surface

Briquettes are clipped in place to facilitate easy reversible cleaning

Enhances food's flavor as drippings hit the briquettes and impart flavor back into the food



## STAINLESS STEEL GRATES

Heavy-duty electro-polished stainless steel grates



## TEMPERATURE GAUGE

Indicates when your grill is ready for cooking

Large and easy to read

Temperature gauge indicates internal temperature for indirect cooking

# PROFESSIONAL CHEF FEATURES AND BENEFITS



## INSULATED BULLNOSE

Safe to touch when grill is hot

---



## ROTISSERIE SYSTEM WITH REAR INFRARED BURNER

Rotisserie models include a rear infrared burner

---

L700 42" Grills - 14,000 BTU

---

L600 36" Grills - 14,000 BTU

---

L500 30" Grills - 12,500 BTU

---

L400 24" Grills - 12,500 BTU

---



## HOOD ASSIST KIT

Heat treated stainless steel spring system

---

Makes hood operation effortless and safe

---

Easy to remove for those who appreciate the heft

---



## AMPLE GRILLING SURFACE

24" Grills - 575 square inches (398 primary/177 secondary)

---

30" Grills - 733 square inches (508 primary/225 secondary)

---

36" Grills - 891 square inches (618 primary/273 secondary)

---

42" Grills - 1,049 square inches (728 primary/321 secondary)

---



Shown  
L2600G - Falcon Gray\*

L2600G ISLAND WITH 36" GRILL  
AVAILABLE IN BOTH COLORS

## SEDONA L2500/L2600 ISLAND PACKAGES

Create a fully featured outdoor kitchen in no time at all with a premium Sedona Island Package. Available in two color schemes, and offered with a choice of 30" or 36" grills, these Islands also include an outdoor-rated refrigerator, rotisserie, double side burner and a combination storage system with two fully enclosed pull-out drawers. A 16" overhang along the rear of the island accommodates seating and a circular end counter extension adds extra space for entertaining.



Beautiful detailing throughout



Each island includes two USB charging ports



16" counter overhang accommodates seating along the rear



# ISLAND PACKAGES - FEATURING 30" & 36" GRILLS



L2600 ISLAND WITH 36" GRILL - *available in both colors*

Model No. L2600G (shown above) / L2600S

## BOTH ISLANDS FEATURE

92" x 47" half oval shape with a 47" diameter circular entertainment area feature on the right

16" counter overhang which runs along the back of the island and sweeps around the circular right end to accommodate additional seating

Has two diamond shaped tile features on the back side with a tile kick plate

Welded frame is 1" square tubing with galvanized protection

Premium grade outdoor rated concrete board substrate

Pre-wired with GFI protection for grill and refrigerator connections along with convenient electrical receptacle for rotisserie motor

Two USB charging ports standard

Island comes ready for gas connections and includes required venting

Leveling feet are standard

Tough acrylic stucco which is waterproof, UV resistant and long lasting

Sealed porcelain 6"x 6" tile is unglazed, frost proof, designed for outdoor use

Beautiful cross hatch tile pattern with a 3" border around the counter edges which include a bull nose and 3" vertical lip

Includes a tile border which frames the front of the grill and base on three sides

## BOTH ISLANDS INCLUDE

**L500REF** - 20" outdoor rated refrigerator, 4.1 cu ft. capacity. Includes 3 wire shelves plus door storage and can dispenser in the door. Interior light

**LSB502** - Side burner with two 12,500 BTU sealed burners with Blue LED's illuminating the gas control knobs

## L2600 ISLANDS INCLUDE

**L600 PSR Grill** - 36" Grill with (2) 18-SR SS Tube burners and 1 ProSear™ Burner

**LSA636** - Combination storage system with one door and two pull out drawers

## L2500 ISLANDS INCLUDE

**L500PSR Grill** - 30" Grill with (1) 18-SR SS Tube burner and 1 ProSear™ Burner

**LSA530** - Combination storage system with one door and two pull out drawers

## ISLAND DIMENSIONS

L2600 - 92 1/8" long x 47 3/16" deep x 40" high

L2500 - 92 1/8" long x 47 3/16" deep x 40" high

ALL ISLANDS ARE AVAILABLE  
IN EITHER COLOR SCHEME



**\*SANDALWOOD**

Beige stucco base with oxy-iron (beige with orange highlights) tile countertop



**\*FALCON GRAY**

Light gray stucco base with oxy-chrome (dark green with brown highlights) tile countertop

## ALL SEDONA ISLANDS ASSEMBLE IN MINUTES

Sedona Islands are designed for easy delivery and quick setup. Delivered in a flat package sized to fit through typical backyard gates, they can be assembled within 30 minutes by two to three people using just a few tools.



# SEDONA L1500/L1600 ISLAND PACKAGES

## FEATURING 30" & 36" GRILLS

The convenience of an outdoor kitchen is easy to achieve with the essentials built into a classic Sedona Island. Choose from 30" or 36" grill sizes. Your island also includes an outdoor-rated refrigerator and a side burner, as well as doors for extra storage space and a 11" overhang along the rear of the island for seating, so guests can gather around the grill.



### \*FALCON GRAY

Light gray stucco base with oxy-chrome (dark green with brown highlights) tile countertop



### \*SANDALWOOD

Beige stucco base with oxy-iron (beige with orange highlights) tile countertop

ALL ISLANDS ARE AVAILABLE IN EITHER COLOR SCHEME



L1500 ISLAND WITH 30" GRILL - *available in both colors*  
Model No. L1500G

### BOTH ISLANDS INCLUDE

**L500REF** - 20" outdoor rated refrigerator, 4.1 cu ft. capacity. Includes 3 wire shelves plus door storage and can dispenser in the door. Interior light

**LSB501** - Side burner with a 12,500 BTU sealed burner with blue LED illuminating the gas control knob. Standard with stainless steel cover and gas and electrical connections to grill

### L1600 ISLANDS INCLUDE

76" x 40" rectangular shape with a 11" counter overhang to accommodate seating along the rear

**L600PS Grill** - 36" grill with (2) 18-SR stainless steel tube burners and 1 ProSear™ burner, grill includes internal halogen hood light, blue LED lights over each gas control knob and many other features

**LDR636** - 36" double access doors allow access to utility connections below the grill and extra storage

### L1500 ISLANDS INCLUDE

71" x 40" rectangular shape with a 11" counter overhang to accommodate seating along the rear

**L500PS Grill** - 30" grill with (1) 18-SR stainless steel tube burner and 1 ProSear™ burner, grill includes internal halogen hood light, blue LED lights over each gas control knob and many other features

**LDR530** - 30" double access doors allow access to utility connections below the grill and extra storage

### ISLAND DIMENSIONS

L1600 - 76 1/8" long x 40 5/8" deep x 40" high

L1500 - 71 3/4" long x 40 5/8" deep x 40" high

L1600 ISLAND WITH 36" GRILL  
*available in both colors*

Model No. L1600S



11" counter overhang accommodates seating along the rear



# ICE 'N FIRE PITS



## FIRE CONVERTS TO REFRESHMENT BOWL

- Includes a 30qt. stainless steel refreshment bowl
- Easily convertible— no tools



## MATERIALS

- 2 stainless steel bowls for ice or fire
- 65,000BTU Nautilus stainless steel burner
- T-Handle valve and battery push button spark igniter
- LP to NG Conversion Kit Model no. LFPNGK available for purchase



## FINISH

- Available in Sandalwood or Falcon Gray
- Tough acrylic stucco which is waterproof, UV resistant and long lasting
- Sealed porcelain 6" x 6" tile is unglazed, frost proof, designed for outdoor use
- Vinyl cover included

## ICE 'N FIRE PITS

*available in sandalwood/falcon gray, 48" circular/square top*

**Model No. LFPC-G/LFPC-S/LFPS-G/LFPS-S**

### FIRE PIT ASSEMBLY STEP BY STEP PHOTOS



1. Place the base



2. Install the top



3. Place the pan into top



4. Fire Bowl



1. Remove burner pan from top



2. Place refreshment bowl into top



3. Refreshment bowl

### REFRESHMENT BOWL CONVERSION

# MEET THE PROS



**AMANDA HAAS**  
SAN FRANCISCO, CA  
EXECUTIVE CHEF, WILLIAMS  
SONOMA TEST KITCHEN

"When cooking on the Sedona, I treat it like an actual kitchen. I look at all of its capabilities and plan my menu around that. For example, for the menu I did for the videos, I knew I wanted to sear my tuna over the highest heat, then use lower heat to roast my vegetables for the salad. I decided to do potato skewers because I knew they could cook on the burner and then be finished on the grill... I even like to grill my dessert, so after everyone has eaten the main course, I pour another type of wine and set off grilling some fruit. Dessert is done in a matter of minutes."



**DEVIN ALEXANDER**  
LOS ANGELES, CA  
MEDIA PERSONALITY, WEIGHT  
LOSS EXPERT, CHEF ON NBC'S  
THE BIGGEST LOSER

"I grill almost daily because grilling adds amazing flavor without adding the calories! I'm in love with my Lynx because it adds so much versatility and ease with an incredibly upscale look."



**KERRY SIMON**  
LAS VEGAS, NV  
ROCK N' ROLL CHEF

"I am very proud to be a part of the Lynx Chef team. Lynx is truly the leader in grilling and outdoor kitchen innovation."



**KEVIN GARVIN**  
DALLAS, TX  
EXECUTIVE CHEF, NEIMAN  
MARCUS RESTAURANTS

"I like to use my outdoor Lynx grill as often as I can and nothing is better than searing a nice New York steak at 500 to 600 degrees. Once both sides are seared I move the steak to a cooler part of the grill to finish cooking. It's that outside crispy char that I strive for all the time. Thanks for building the greatest grills in the world!"



**ANDRÉS DANGOND  
DOWNEY, CA**  
LYNX EXECUTIVE CHEF, ONE  
OF THE YOUNGEST MICHELIN  
EXPERIENCED CHEFS

"The thing that blows my mind every time I turn on a Lynx Grill is how insanely hot it can get in a short amount of time. Realizing how fast it responds to heat adjustments when cooling it down for slow cooking after searing, or quickly heating up for reverse searing, made me realize we can almost forget everything we know about traditional grilling. These machines are perfect."



**DONATELLA ARPAIA**  
NEW YORK, NY  
IRON CHEF JUDGE AND  
RESTAURATEUR

"My Lynx outdoor kitchen is beautiful, powerful and uses the latest technology. The grill cooks more evenly than any other grill and the made in America craftsmanship made it the only choice for me. There isn't anything I can't cook outside that I can inside. Our outdoor kitchen has become the heart of our home. It is perfect for entertaining and enjoying the beauty of the lake."



**GLENN LYMAN**  
CHARLOTTE, NC  
PERSONAL CHEF TO HIGH  
PROFILE ATHLETES

"When I think about time spent around the grill, I recall a lifetime of experience and quality time with family and friends. I cherish the memories of hanging out around the grill, sharing stories, swapping recipes, and making plans for the next gathering. Imagining the great taste and smell of grilled food sparks up nostalgia I will never forget. Thanks to the championship quality of Lynx, I have a real home-court advantage in the outdoor kitchen!"



**KENT RATHBUN**  
DALLAS, TX  
IRON CHEF RESTAURATEUR

"As a chef I have been fortunate enough to work with many brands of equipment but when it comes to outdoor appliances, I find Lynx to be the Porsche of outdoor kitchen products."

# FREESTANDING MODELS FOR MOBILE CONVENIENCE

Enjoy the advanced grilling technology and superior craftsmanship of Sedona by Lynx™ in a form that's at home in any outdoor area—even small patios. Sedona Freestanding models offer a full range of grill sizes and convenience features. They also roll easily on heavy-duty castors so you can quickly reposition your grill or store it when you're not entertaining.



42" GRILL

Model No. L700PSR (shown)  
with Model No. L700CART



36" GRILL

Model No. L600PSR (shown)  
with Model No. L600CART



30" GRILL

Model No. L500PSR (shown)  
with Model No. L500CART



24" GRILL

Model No. L400PSR (shown)  
shown with Model No. L400CART

# A BUILT-IN OF YOUR OWN



## 42" BUILT-IN GRILL

**Model No. L700PSR (shown)**

ProSear™ infrared technology delivers intense and controllable infrared heat  
1,049-sq. in. cooking surface (728 primary, 321 secondary)

(2) 18-SR Stainless steel tube burner for extremely even cooking temperature

Superior fit and finish - continuously welded joints

Spark ignition system with battery back-up

Control illumination with blue LED lights

Dual internal halogen grill surface lights

Specially designed high-density ceramic radiant briquettes

Large and easy-to-read temperature gauge

Hood Assist Kit

Optional rotisserie models include rear infrared burner, compact rotisserie motor, spit rod and two spit forks

Stainless steel grilling grates

Dimensions - 42"W x 25"D x 25"H



## 36" BUILT-IN GRILL

**Model No. L600PSR (shown)**

ProSear™ infrared technology delivers intense and controllable infrared heat  
891-sq. in. cooking surface (618 primary, 273 secondary)

(2) 18-SR Stainless steel tube burner for extremely even cooking temperature

Superior fit and finish - continuously welded joints

Spark ignition system with battery back-up

Control illumination with blue LED lights

Internal halogen grill surface light

Specially designed high-density ceramic radiant briquettes

Large and easy-to-read temperature gauge

Hood Assist Kit

Optional rotisserie models include rear infrared burner, compact rotisserie motor, spit rod and two spit forks

Stainless steel grilling grates

Dimensions - 36"W x 25"D x 25"H



## 30" BUILT-IN GRILL

**Model No. L500PSR (shown)**

ProSear™ infrared technology delivers intense and controllable infrared heat  
733-sq. in. cooking surface (508 primary, 225 secondary)

(1) 18-SR Stainless steel tube burner for extremely even cooking temperature

Superior fit and finish - continuously welded joints

Spark ignition system with battery back-up

Control illumination with blue LED lights

Internal halogen grill surface light

Specially designed high-density ceramic radiant briquettes

Large and easy-to-read temperature gauge

Hood Assist Kit

Optional rotisserie models include rear infrared burner, compact rotisserie motor, spit rod and two spit forks

Stainless steel grilling grates

Dimensions - 30"W x 25"D x 25"H



## 24" BUILT-IN GRILL

**Model No. L400PSR (shown)**

ProSear™ infrared technology delivers intense and controllable infrared heat  
575-sq. in. cooking surface (398 primary, 177 secondary)

(1) 18-SR Stainless steel tube burner for extremely even cooking temperature

Superior fit and finish - continuously welded joints

Spark ignition system with battery back-up

Control illumination with blue LED lights

Internal halogen grill surface light

Specially designed high-density ceramic radiant briquettes

Large and easy-to-read temperature gauge

Hood Assist Kit

Optional rotisserie models include rear infrared burner, compact rotisserie motor, spit rod and two spit forks

Stainless steel grilling grates

Dimensions - 24"W x 25"D x 25"H

# THE SEDONA ADA\* COMPLIANT GRILL



Lynx is proud to introduce the first freestanding cart grill designed for individuals with disabilities. Yet another Lynx first, this ADA compliant unit is very accessible, extremely practical and has all the amazing features of the Sedona by Lynx™ Grill. Available in 30" and 36" freestanding cart sizes, with or without rotisserie option.

## Meet Michael

The ADA grill is an achievement of passion, vision and a unique partnership that steered the grill's development. When the Lynx engineering team began designing the ADA grill, we knew we needed an authentic voice to guide its development. Through a mutual friend, we were introduced to Michael (out of respect for privacy, we refrain from including his last name). Michael is a C7 quadriplegic, having suffered a break in his 7th cervical spinal cord segment in a diving board accident that left him paralyzed from the chest down.

Michael was involved in shaping key features of the ADA grill; the propane tank holder, the insulated bullnose, and the grill storage system to name a few. We were happy to hear that core features of our Sedona by Lynx grills, such as the Lynx Hood Assist were his favorite features. Michael's contributions on improving the accessibility features of the ADA grill has been invaluable. His insight into the people and families that comprise the disabled community has had impact beyond measure.

We started out as partners. We are glad to call Michael a friend. Thank you for all your contributions Michael. We couldn't have done it without you.

## ADA COMPLIANT GRILL

Model No. L500ADA/L500ADAR/L600ADA/L600ADAR

\*Americans with Disabilities Act of 1990



LID HANDLE



PROPANE TANK HOLDER



INSULATED BULLNOSE



GRILL STORAGE SYSTEM

# THE SEDONA BY LYNX™ COLLECTION

All Sedona by Lynx™ Grill Heads can be easily assembled to a matching cart. Carts arrive in a flat package and can be quickly assembled by two people in less than 20 minutes. The unique keyhole slot design provides simple assembly procedure only requiring a screwdriver.



## SEDONA BY LYNX™ CARTS FEATURE

Doors with rigid liners

Internal storage shelf

LP tank restraint system

## DIMENSIONS

L700 Cart: 42" W x 23" D x 34-7/16" H

L600 Cart: 36" W x 23" D x 34-7/16" H

L500 Cart: 30" W x 23" D x 34-7/16" H

L400 Cart: 24" W x 23" D x 34-7/16" H (single door)



Elegant and Functional Lighting



Superior Craftsmanship



Optional Rotisserie System

## COMPLEMENTARY PRODUCTS

Sedona offers a complete line of complementary products to allow you to fully equip your Outdoor Kitchen. This includes a variety of access doors, combination storage systems, side burners, a refrigerator, insulating jackets and vinyl covers. Sedona adaptor kits allow Sedona to fit into a variety of existing island cutouts.



24" SINGLE DOOR

### Model No. LDR424

Door has a rigid liner

Easily Installed

Stainless Steel handles

Sized to grill width or for additional storage



DOUBLE DOORS

### Model No. LDR636 (36")/LDR530 (30")

Doors with rigid liners

Easily Installed

Stainless steel handles

Sized to grill width



STORAGE DOOR & FULLY ENCLOSED DOUBLE DRAWERS

### Model No. LSA636 (36")/LSA530 (30")

Fully enclosed drawers for secure storage

Slides keep drawers solidly in closed position

Stainless steel handles

Sized to grill width



# COMPLEMENTARY PRODUCTS



## 20" OUTDOOR REFRIGERATOR

**Model No. L500REF**

- UL listed for outdoor use
- Seamless stainless steel exterior
- Interior light
- 4.1 cubic feet of usable capacity
- 3 wire shelves
- Can dispenser in drawer for convenience
- Additional door storage
- Reversible door (kit included)



## SINGLE SIDE BURNER

**Model No. LSB501**

- One @12,500 btu burner
- Includes stainless steel cover
- Blue LED light activated by grill switch
- Easy to clean sealed burner base



## DOUBLE SIDE BURNER

**Model No. LSB502**

- Two burners @12,500 btu per burner
- Includes stainless steel cover
- Blue LED lights activated by grill switch
- Easy to clean sealed burner base



## 17" ENCLOSED DOUBLE DRAWERS

**Model No. LUD517**

- Two 6" deep fully enclosed drawers
- Full extension drawer slides
- Stainless steel handles



## VINYL COVER FOR BUILT-IN GRILL

**Model No. VC700/VC600/  
VC500/VC400**



## VINYL COVER FOR FREESTANDING GRILL

**Model No. VC700F/VC600F/VC500F/  
VC400F/VC36ADA/VC30ADA**



## INSULATED JACKET

**Model No. LIJ700/LIJ600/LIJ500/LIJ400**

- Mandatory for grills installed in islands constructed with combustible materials
- Attractive all welded, insulated construction



## QUICK DISCONNECT WITH SHUTOFF & FITTINGS

**Model No. LQD**

- Simple solution for gas connections
- 1/2" ID hose ensures adequate gas supply
- 12' hose includes 1/2" quick disconnect fitting at one end and 1/2" male pipe thread on the other
- Includes manual shut-off valve



## GRIDDLE PLATE

**Model No. GP**

- Cook anything on your grill
- Easy to clean stainless steel surface
- 11" x 15" cooking surface
- Angled 5° slope front to rear to prevent spillage
- 4 feet firmly grip grates
- 2" high sides

# SPECIFICATIONS & INSTALLATION

The guides, measurements and dimensions detailed below are designated to assist you with planning your outdoor kitchen.

**NOTE:** Due to continuing product innovation, specifications are subject to change without notice. All measurements are in inches.

**IMPORTANT:** Please reference the Care & Use / Installation manual for details on gas plumbing requirements, electrical specifications and the proper installation of your Lynx outdoor kitchen equipment. This manual can be downloaded from the Lynx website at [www.lynxgrills.com](http://www.lynxgrills.com)

## THE SEDONA BY LYNX COLLECTION

### BUILT-IN GRILL

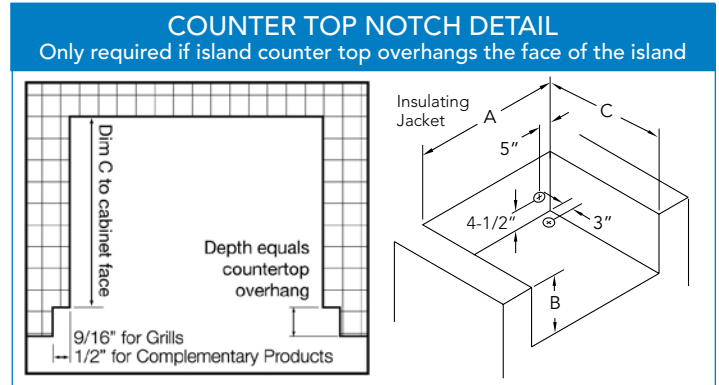
Model	A	B	C
L400	23"	10"	21-1/4"
L500	29"	10"	21-1/4"
L600	35"	10"	21-1/4"
L700	41"	10"	21-1/4"

### COMPLEMENTARY PRODUCTS

Model	A	B	C
LSB501*	11"	4"	16"
LSB502*	21"	4"	16"
LDR424	22"	19"	-
LDR530	28-1/4"	19"	-
LDR636	33-3/4"	19"	-
LSA530	28-1/4"	19"	20"
LSA636	33-3/4"	19"	20"
LUD517	17-1/4"	12-3/4"	20"
L500REF	21-1/2"	34"	24-1/2"

### BUILT-IN GRILL WITH INSULATING JACKET

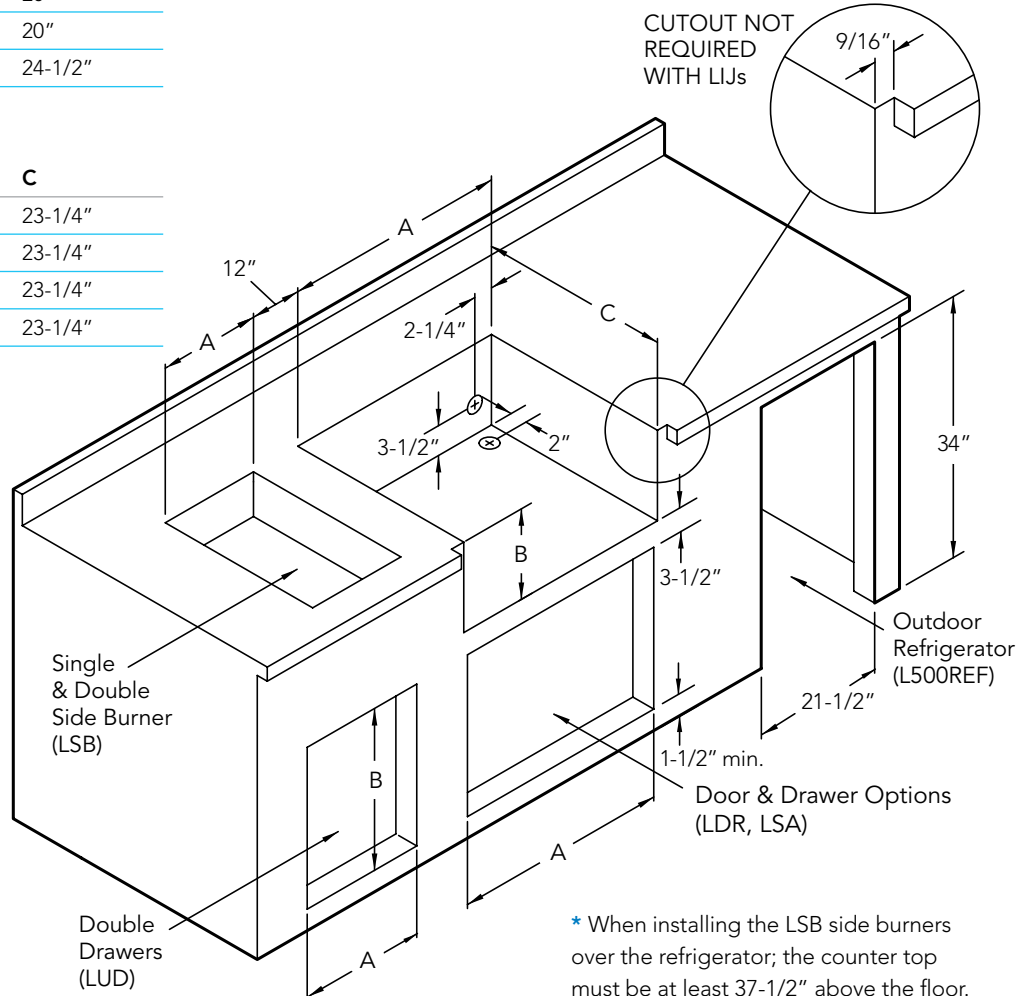
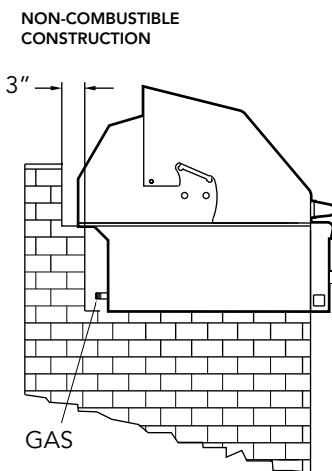
Model	A	B	C
LIJ400	30"	11-5/8"	23-1/4"
LIJ500	36"	11-5/8"	23-1/4"
LIJ600	42"	11-5/8"	23-1/4"
LIJ700	48"	11-5/8"	23-1/4"



**Note:** Insulating jacket required for all grills installed into a combustible enclosure.

**Note:** For Natural Gas grills, Lynx recommends using 3/4" gas lines.

**Note:** Side burners may be rotated 90 degrees. See installation manuals for details.



## CONNECT WITH US ONLINE



### PRODUCT REGISTRATION ONLINE

Go to [www.lynxgrills.com/ProductRegistration.asp](http://www.lynxgrills.com/ProductRegistration.asp) to register your new Sedona by Lynx™ Grill warranty. The information you provide will not be shared with third parties or individuals without your consent.



The best outdoor kitchen products come from:  
Lynx Grills, Inc.  
7300 Flores Street  
Downey, CA 90242

For more information, please call  
**1.888.289.5969** or visit [www.lynxgrills.com](http://www.lynxgrills.com)

P/N 35013 01/01/2015 ©Lynx Grills, Inc.



MOM FRIENDLY. DAD READY.™

All Sedona by  
Lynx™ Grills

