

SAMSUNG

Product Guide

8111 Series Front Control Slide-In Gas Range

NX60T8111SS

NX60T8111SG

Available in: Fingerprint Resistant Stainless Steel
and Fingerprint Resistant Black Stainless Steel



Table of Contents

NX60T8111 - 6.0 cu. ft. Front Control Slide-in Gas Range

Product Overview

Product Overview 4

Carousel Image Order and Assets 5

Product Messaging

Core Messaging 7

Features and Benefits 8

Product Specs

Related Products & Accessories 13

Spec Sheet 14

User Manual 15

Feature Icons

17

Product Overview

NX60T811SS – 6.0 cu. ft. Front Control Slide-in Gas Range

Product Overview

Product Title

6.0 cu. ft. Front Control Slide-in Gas Range

Product Description

The new Samsung Front Control Slide-in Gas Range is fully Wi-Fi connected and voice enabled, making it easy to create delicious meals for your family.

Available Colors



**Fingerprint Resistant
Stainless Steel**
NX60T8111SS



**Fingerprint Resistant
Black Stainless Steel**
NX60T8111SG



Carousel Image Order

Easy Ads links

Fingerprint Resistant Stainless Steel: <http://www.samsungeasyads.com/mm/nicePath/easyads?nav=pr658586168>
Fingerprint Resistant Black Stainless Steel: <http://www.samsungeasyads.com/mm/nicePath/easyads?nav=pr658586191>



Product Messaging

NX60T811SS – 6.0 cu. ft. Front Control Slide-in Gas Range

Core Messaging

Priority	Feature	Feature Headline	Short Copy	Long Copy	
Signature	1	Ready2Fit™ Guarantee	–	–	If your Samsung Front Control Slide-In Range doesn't fit your 30" Freestanding Range cutout, enjoy \$100* on us to cover any countertop modification costs. *Visit samsungpromotions.com/SlideInReady2Fit for details.
	2	Fingerprint Resistant Finish	All Shine	Fingerprint resistant, beautiful finish.	Fingerprint resistant, for an everyday beautiful finish.
	3	Flexible Cooktop	Flexible in Every Way	Get to high heat quickly for searing meat or boiling water, or turn down to a simmer to make your favorite sauces.	Get to high heat quickly for searing meat or boiling water, or turn down to a simmer to make your favorite sauces. Easily slide your pots and pans across the seamless, edge-to-edge grates covering a 5 burner cooktop.
Secondary Features	4	2 Power Burners	Power Times Two	Quickly boil water with the 2 Power Burners	Quickly boil water for soups or pasta with the 2 power burners.
	5	Large Oven Capacity	Cook Enough for the Whole Crew	This large 6.0 cu. ft. oven fits multiple meals at one time.	This large 6.0 cu. ft. oven fits multiple meals at one time, or it can easily accommodate big casserole dishes or roasting pans.
	6	Wi-Fi Connectivity	Cook Smart, Save Time	Monitor and adjust cook time and temperature of your oven through the SmartThings™ App.* *Available on Android and iOS devices. A Wi-Fi connection and a Samsung account are required.	Monitor and adjust cook time and temperature of your oven, right from your smartphone through the SmartThings™ App.* *Available on Android and iOS devices. A Wi-Fi connection and a Samsung account are required."
	7	Voice-Enabled	"Raise the Oven Temperature to 375° Please"	Control your oven by voice by using your favorite voice assistant, whether it's Bixby, Alexa or Google.* *A Wi-Fi connection and a Samsung account are required. Bixby is Samsung's brand of artificial intelligence (AI) / Internet of Things (IoT) voice assistant. Voice commands are available on Android and iOS devices.	Control your oven by voice when you're busy doing other things by using your favorite virtual assistant, whether it's Bixby, Alexa or Google.* *A Wi-Fi connection and a Samsung account are required. Bixby is Samsung's brand of artificial intelligence (AI) / Internet of Things (IoT) voice assistant. Voice commands are available on Android and iOS devices.
	8	Glass Touch Controls	Easy to Clean	Touch Controls offer premium design that is easy to use and clean.	Glass Touch Controls offer a premium design that is easy to use and clean.
9	Self Clean	Does The Hard Work For You	Get help from your oven with Self Clean.	Get help from your oven with Self Clean. The self cleaning system deep cleans by heating to a high temperature to burn off grease and food residue.	

Features and Benefits



Ready2Fit™ Guarantee

If your Samsung Front Control Slide-In Range doesn't fit your 30" Freestanding Range cutout, enjoy \$100* on us to cover any countertop modification costs.

*Visit samsungpromotions.com/SlideInReady2Fit for details.



Fingerprint Resistant Finish

Fingerprint resistant, for an everyday beautiful finish.

Ensure asset used is accurate to the correct model finish color.



Flexible Cooktop

Get to high heat quickly for searing meat or boiling water, or turn down to a simmer to make your favorite sauces. Easily slide your pots and pans across the seamless, edge-to-edge grates covering a 5 burner cooktop.

Easy Ads links

Fingerprint Resistant Stainless Steel: <http://www.samsungeasyads.com/mm/nicePath/easyads?nav=pr658586171>

Features and Benefits (continued)



2 Power Burners

Quickly boil water for soups or pasta with the 2 power burners.



Large Oven Capacity

This large 6.0 cu. ft. oven fits multiple meals at one time, or it can easily accommodate big casserole dishes or roasting pans.



Wi-Fi Connectivity

Monitor and adjust cook time and temperature of your oven, right from your smartphone through the SmartThings™ App.*

*Available on Android and iOS devices. A Wi-Fi connection and a Samsung account are required.

Easy Ads links

Fingerprint Resistant Stainless Steel: <http://www.samsungeasyads.com/mm/nicePath/easyads?nav=pr658586171>

Features and Benefits (continued)



Voice-Enabled

Control your oven by voice when you're busy doing other things by using your favorite virtual assistant, whether it's Bixby, Alexa or Google.*

*A Wi-Fi connection and a Samsung account are required. Bixby is Samsung's brand of artificial intelligence (AI) / Internet of Things (IoT) voice assistant. Voice commands are available on Android and iOS devices.



Glass Touch Controls

Glass Touch Controls offer a premium design that is easy to use and clean.



Self Clean

Get help from your oven with Self Clean. The self cleaning system deep cleans by heating to a high temperature to burn off grease and food residue.

Easy Ads links

Fingerprint Resistant Stainless Steel: <http://www.samsungeasyads.com/mm/nicePath/easyads?nav=pr658586171>

Product Specs

NX60T811SS – 6.0 cu. ft. Front Control Slide-in Gas Range

Related Products

SKU	Type	Color(s)
NX60T8111SS/AA	Over-The-Range Microwave	ME21R7051SS/AA
	Over-The-Range Microwave	ME19R7041FS/AA
	Dishwasher	DW80R5061US/AA
	Refrigerator	RF27T5201SR/AA
NX60T8111SG/AA	Over-The-Range Microwave	ME21R7051SG/AA
	Over-The-Range Microwave	ME19R7041FG/AA
	Dishwasher	DW80R5061UG/AA
	Refrigerator	RF27T5201SG/AA

Accessories

SKU	Description	Color(s)
NX-AB5900RS/AA	9" backguard for 30" slide-in range	Stainless Steel
NX-AB5400RS/AA	4" backguard for 30" slide-in range	
NX-AF5000RS/AA	Trim kit for 30" slide-in range, 5 piece	
NX-AB5900RB/AA	9" backguard for 30" slide-in range	Black (pairs with Black Stainless Steel)
NX-AB5400RB/AA	4" backguard for 30" slide-in range	
NX-AF5000RM/AA	Trim kit for 30" slide-in range, 5 piece	Black Stainless Steel (pairs with Black Stainless Steel)


Spec Sheet

Easy Ads link

<http://www.samsungeasyads.com/mm/nicePath/easyads?nav=pr658572034>

NX60T811ISS

Samsung Front Control Slide-in Gas Range
6.0 cu. ft. Capacity



SAMSUNG

Signature Features

Ready2Fit™ Guarantee

- If your Samsung Front Control Slide-In Range doesn't fit your 30" Freestanding Range cutout, enjoy \$100* on us to cover any countertop modification costs.

*Visit samsungpromotions.com/SlideInReady2Fit for details.

Fingerprint Resistant Finish


- Fingerprint resistant, for an everyday beautiful finish.

Flexible Cooktop


- Get to high heat quickly for searing meat or boiling water, or turn down to a simmer to make your favorite sauces. Easily slide your pots and pans across the seamless, edge-to-edge grates covering a 5 burner cooktop.

Available Colors

- Fingerprint Resistant Stainless Steel (shown)
- Fingerprint Resistant Black Stainless Steel



Ready2Fit™ Guarantee



Fingerprint Resistant Finish

Features


- Ready2Fit™ Guarantee
- Fingerprint Resistant Finish
- Flexible Cooktop
- Large Oven Capacity – 6.0 cu. ft.
- Glass Touch Controls
- Edge-to-Edge Grates
- Storage Drawer

Convenience

- Wi-Fi Connectivity
- Voice-Enabled
- Self Clean
- Child Safety Lock
- Delay Start
- Auto Oven Light
- Kitchen Timer
- Sabbath Mode

Flexible Cooktop:

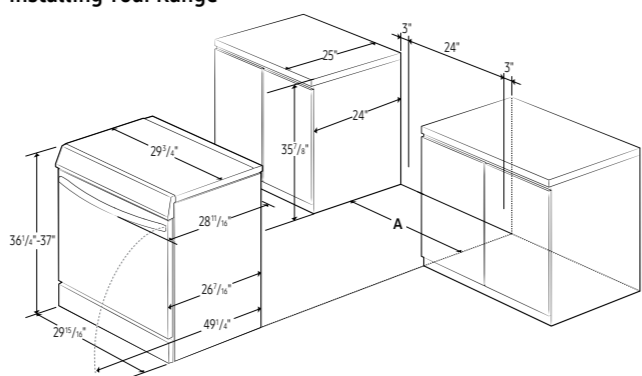
- Right Front: 17K BTU
- Left Front: 16K BTU
- Right Rear: 5K BTU
- Left Rear: 9.5K BTU
- Center (Round): 9.5K BTU



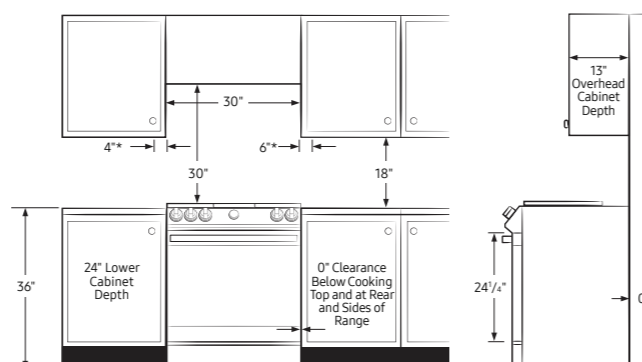
NX60T811ISS

Samsung Front Control Slide-in Gas Range
6.0 cu. ft. Capacity

Installing Your Range

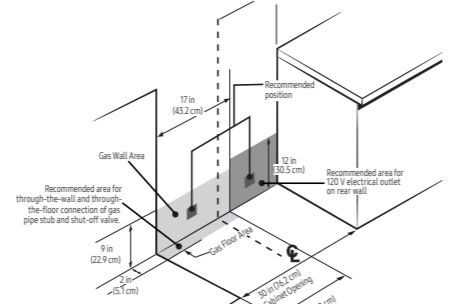


A: Cabinet opening 30"
IMPORTANT: If your cabinets are over 37" high, you must install this range on a hard, heat-resistant support that raises the surface of the range so that it is about even with the countertop.



*Side clearance above cooking surface to any objects, i.e., wall.
IMPORTANT: Consult with Installation Manual for detailed instructions before installing. All ranges must be installed with the Anti-Tip device that is included.

Recommended Locations for Gas Piping and Electrical Outlets



Actual color may vary. Design, specifications, and color availability are subject to change without notice. Non-metric weights and measurements are approximate.
©2020 Samsung Electronics America, Inc. 85 Challenger Road, Ridgefield Park, NJ 07660. Tel: 800-SAMSUNG. samsung.com. Samsung is a registered trademark of Samsung Electronics Co. Ltd.

SAMSUNG

Total Power (BTU)
57,000 BTU

Power Source
120V/60Hz/20A

Black Enamel 5-Burner Cooktop

- Right Front: 17K BTU
- Left Front: 16K BTU
- Right Rear: 5K BTU
- Left Rear: 9.5K BTU
- Center (Round): 9.5K BTU

Oven

- Capacity: 6 cu. ft.
- Bake
- Variable Broil: Low/High
- Breadproof

Warranty
One (1) Year Parts and Labor

Product Dimensions & Weight (WxHxD)
Oven Interior Dimensions:
24¹³/₁₆" x 21¹/₈" x 19⁵/₈"
Outside Dimensions:
29¹⁵/₁₆" x 36¹/₄"-37" (Adjustable) x 28¹¹/₁₆"
Weight: 200 lbs

Shipping Dimensions & Weight (WxHxD)
Dimensions:
33¹/₁₆" x 41³/₄" x 30³/₁₆"
Weight: 225 lbs

Color	Model #	UPC Code
Fingerprint Resistant Stainless Steel	NX60T811ISS	887276409184
Fingerprint Resistant Black Stainless Steel	NX60T811ISG	887276409191

Spec Sheet - front

Spec Sheet - back

User Manual

Easy Ads link

<http://www.samsungeasyads.com/mm/nicePath/easyads?nav=pr658572034>

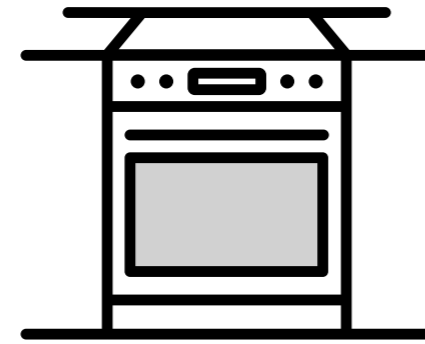


User Manual

Feature Icons

NX60T811SS – 6.0 cu. ft. Front Control Slide-in Gas Range

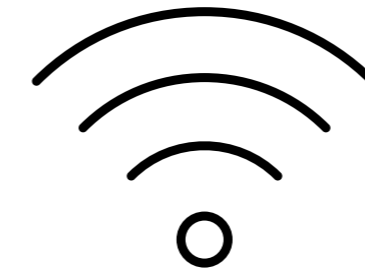
Feature Icons



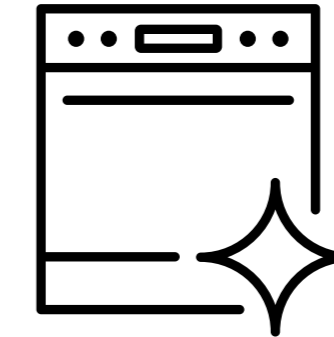
Slide-In Design



Fingerprint Resistant Finish



Wi-Fi Connectivity



Self Clean

SAMSUNG