

# SAMSUNG

# Product Guide

## 811 Series Front Control Slide-In Electric Range

NE63T811SS  
NE63T811SG

Available in: Fingerprint Resistant Stainless Steel and  
Fingerprint Resistant Black Stainless Steel



# Table of Contents

## NE63T8111 - 6.3 cu. ft. Front Control Slide-In Electric Range

### Product Overview

Product Overview 4

Carousel Image Order and Assets 5

### Product Messaging

Core Messaging 7

Features and Benefits 8

### Product Specs

Related Products and Accessories 12

Spec Sheet 13

User Manual 14

### Feature Icons

16

# Product Overview

---

NE63T8111SS – 6.3 cu. ft. Front Control Slide-In Electric Range

# Product Overview

## Product Title

6.3 cu. ft. Front Control Slide-In Electric Range

## Product Description

The new Samsung Front Control Slide-In Electric Range is fully Wi-Fi connected and voice enabled, making it easy to create delicious meals for your family.

## Available Colors



**Fingerprint Resistant  
Stainless Steel**  
NE63T8111SS



**Fingerprint Resistant  
Black Stainless Steel**  
NE63T8111SG



# Carousel Image Order

Easy Ads links

Fingerprint Resistant Stainless Steel: <http://www.samsungeasyads.com/mm/nicePath/easyads?nav=pr658604201>  
Fingerprint Resistant Black Stainless Steel: <http://www.samsungeasyads.com/mm/nicePath/easyads?nav=pr658604229>



# Product Messaging

---

**NE63T8111SS – 6.3 cu. ft. Front Control Slide-In Electric Range**

# Core Messaging

Priority	Feature		Short Copy	Long Copy	
Signature	1	Ready2Fit™ Guarantee	–	–	If your Samsung Front Control Slide-In Range doesn't fit your 30" Freestanding Range cutout, enjoy \$100* on us to cover any countertop modification costs. *Visit <a href="https://samsungpromotions.com/SlideInReady2Fit">samsungpromotions.com/SlideInReady2Fit</a> for details.
	2	Fingerprint Resistant Finish	All Shine	Fingerprint resistant, beautiful finish.	Fingerprint resistant, for an everyday beautiful finish.
	3	Flexible Cooktop	Flexible in Every Way	Get to high heat quickly for searing meat or boiling water, or turn down to a simmer to make your favorite sauces.	Get to high heat quickly for searing meat or boiling water, or turn down to a simmer to make your favorite sauces. Has 5 heating elements, including 2 dual ring elements, so you can cook with small and large sized pots and pans.
Secondary Features	4	Large Oven Capacity	Cook Enough for the Whole Crew	This large 6.3 cu. ft. oven fits multiple meals at one time.	This large 6.3 cu. ft. oven fits multiple meals at one time, or it can easily accommodate big casserole dishes or roasting pans.
	5	Wi-Fi Connectivity	Cook Smart, Save Time	Preheat, monitor and adjust cook time and temperature of your oven through the SmartThings™ App.* *Available on Android and iOS devices. A Wi-Fi connection and a Samsung account are required.	Preheat, monitor and adjust cook time and temperature of your oven, right from your smartphone through the SmartThings™ App.* *Available on Android and iOS devices. A Wi-Fi connection and a Samsung account are required.
	6	Voice-Enabled	"Preheat the Oven to 350° Please"	Control your oven by voice by using your favorite voice assistant, whether it's Bixby, Alexa or Google.* *A Wi-Fi connection and a Samsung account are required. Bixby is Samsung's brand of artificial intelligence (AI) / Internet of Things (IoT) voice assistant. Voice commands are available on Android and iOS devices.	Control your oven by voice when you're busy doing other things by using your favorite virtual assistant, whether it's Bixby, Alexa or Google.* *A Wi-Fi connection and a Samsung account are required. Bixby is Samsung's brand of artificial intelligence (AI) / Internet of Things (IoT) voice assistant. Voice commands are available on Android and iOS devices.
	7	Glass Touch Controls	Easy to Clean	Touch Controls offer a premium design that is easy to use and clean.	Glass Touch Controls offer a premium design that is easy to use and clean.
	8	Self + Steam Clean	Does The Hard Work For You	Get help from your oven with Self & Steam Clean.	Get help from your oven with Self & Steam Clean. The self cleaning system deep cleans by heating to a high temperature to burn off grease and food residue. Steam clean in 20 minutes for easier cleaning jobs.
9	Hidden Bake Element	Cleaning Is Seamless	Makes cleaning your oven easy with a seamless interior.	The bake element is hidden under the ceramic enamel surface at the bottom of the oven. This provides a seamless cavity that makes cleaning easy.	

## Features and Benefits



### Ready2Fit™ Guarantee

If your Samsung Front Control Slide-In Range doesn't fit your 30" Freestanding Range cutout, enjoy \$100\* on up to cover any countertop modification costs.

\*Visit [samsungpromotions.com/SlideInReady2Fit](http://samsungpromotions.com/SlideInReady2Fit) for details.



### Fingerprint Resistant Finish

Fingerprint resistant, for an everyday beautiful finish.

*Ensure asset used is accurate to the correct model finish color.*



### Flexible Cooktop

Get to high heat quickly for searing meat or boiling water, or turn down to a simmer to make your favorite sauces. Has 5 heating elements, including 2 dual ring elements, so you can cook with small and large sized pots and pans.

### Easy Ads links

**Fingerprint Resistant Stainless Steel:** <http://www.samsungeasyads.com/mm/nicePath/easyads?nav=pr658604202>



## Features and Benefits (continued)



### Large Oven Capacity

This large 6.3 cu. ft. oven fits multiple meals at one time, or it can easily accommodate big casserole dishes or roasting pans.



### Wi-Fi Connectivity

Preheat, monitor and adjust cook time and temperature of your oven, right from your smartphone through the SmartThings™ App.\*

\*Available on Android and iOS devices. A Wi-Fi connection and a Samsung account are required.



### Voice-Enabled

Control your oven by voice when you're busy doing other things by using your favorite virtual assistant, whether it's Bixby, Alexa or Google.\*

\*A Wi-Fi connection and a Samsung account are required. Bixby is Samsung's brand of artificial intelligence (AI) / Internet of Things (IoT) voice assistant. Voice commands are available on Android and iOS devices.

### Easy Ads links

**Fingerprint Resistant Stainless Steel:** <http://www.samsungeasyads.com/mm/nicePath/easyads?nav=pr658604202>

## Features and Benefits (continued)



### Glass Touch Controls

Glass Touch Controls offer a premium design that is easy to use and clean.



### Self + Steam Clean

Get help from your oven with Self & Steam Clean. The self cleaning system deep cleans by heating to a high temperature to burn off grease and food residue. Steam clean in 20 minutes for easier cleaning jobs.



### Hidden Bake Element

The bake element is hidden under the ceramic enamel surface at the bottom of the oven. This provides a seamless cavity that makes cleaning easy.

### Easy Ads links

**Fingerprint Resistant Stainless Steel:** <http://www.samsungeasyads.com/mm/nicePath/easyads?nav=pr658604202>

# Product Specs

---

**NE63T8111SS – 6.3 cu. ft. Front Control Slide-In Electric Range**

## Related Products

SKU	Type	Color(s)
<b>NE63T8111SS/AA</b>	Over-The-Range Microwave	ME21R7051SS/AA
	Over-The-Range Microwave	ME19R7041FS/AA
	Dishwasher	DW80R5061US/AA
	Refrigerator	RF27T5201SR/AA
<b>NE63T8111SG/AA</b>	Over-The-Range Microwave	ME21R7051SG/AA
	Over-The-Range Microwave	ME19R7041FG/AA
	Dishwasher	DW80R5061UG/AA
	Refrigerator	RF27T5201SG/AA

## Accessories

SKU	Description	Color(s)
NX-AB5900RS/AA	9" backguard for 30" slide-in range	Stainless Steel
NX-AB5400RS/AA	4" backguard for 30" slide-in range	
NX-AF5000RS/AA	Trim kit for 30" slide-in range, 5 piece	
NX-AB5900RB/AA	9" backguard for 30" slide-in range	Black (pairs with Black Stainless Steel)
NX-AB5400RB/AA	4" backguard for 30" slide-in range	
NX-AF5000RM/AA	Trim kit for 30" slide-in range, 5 piece	Black Stainless Steel (pairs with Black Stainless Steel)

# Spec Sheet

## Easy Ads link

<http://www.samsungeasyads.com/mm/nicePath/easyads?nav=pr658604000>

## NE63T811ISS

Samsung Front Control Slide-in Electric Range

6.3 cu. ft. Capacity



**Signature Features**

**Ready2Fit™ Guarantee**

- If your Samsung Front Control Slide-In Range doesn't fit your 30" Freestanding Range cutout, enjoy \$100\* on us to cover any countertop modification costs.

\*Visit [samsungpromotions.com/SlideInReady2Fit](http://samsungpromotions.com/SlideInReady2Fit) for details.

**Fingerprint Resistant Finish**

- Fingerprint resistant, for an everyday beautiful finish.

**Flexible Cooktop**

- Get to high heat quickly for searing meat or boiling water, or turn down to a simmer to make your favorite sauces. Has 5 heating elements, including 2 dual ring elements, so you can cook with small and large sized pots and pans.

**SAMSUNG**

**Available Colors**

- Fingerprint Resistant Stainless Steel (shown)
- Fingerprint Resistant Black Stainless Steel



Ready2Fit™ Guarantee



Fingerprint Resistant Finish

**Features**

- Ready2Fit™ Guarantee
- Fingerprint Resistant Finish
- Large Oven Capacity – 6.3 cu. ft.
- Glass Touch Controls
- Storage Drawer

**Convenience**

- Self & Steam Clean
- Hidden Bake Element
- Wi-Fi Connectivity
- Voice-Enabled
- Child Safety Lock
- Delay Start
- Auto Oven Light
- Kitchen Timer
- Sabbath Mode





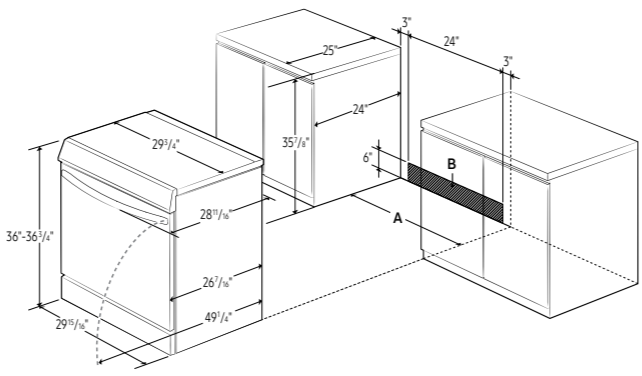



## NE63T811ISS

Samsung Front Control Slide-in Electric Range

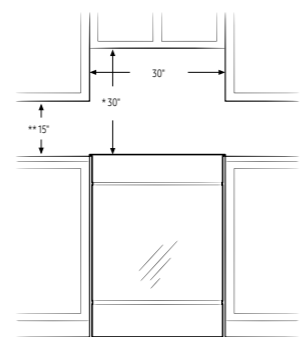
6.3 cu. ft. Capacity

**Installation Specifications**



A: Cabinet opening min 30"  
B: Acceptable electrical outlet area

**IMPORTANT:** If your cabinets are over 36 1/4" high, you must install this range on a hard, heat resistant support that raises the surface of the range so that it is about even with the countertop.



\*30" minimum clearance between the top of the cooking surface and the bottom of an unprotected wood or metal cabinet; or 24" minimum when the bottom of the wood or metal cabinet is protected by not less than 1/4" of flame retardant millboard covered with not less than no.28 MSG sheet steel, 0.015" stainless steel, 0.024" aluminum, or 0.020" copper.

\*\*15" minimum between the countertop and the adjacent cabinet bottom.

**IMPORTANT:** Consult with Installation Manual for detailed instructions before installing. All ranges must be installed with the Anti-Tip device that is included.

Actual color may vary. Design, specifications, and color availability are subject to change without notice. Non-metric weights and measurements are approximate.  
©2020 Samsung Electronics America, Inc. 85 Challenger Road, Ridgefield Park, NJ 07660. Tel: 800-SAMSUNG. samsung.com. Samsung is a registered trademark of Samsung Electronics Co. Ltd.

**SAMSUNG**

**Power Source**  
240V/208V/60 Hz/40A

**Electric Ceramic Cooktop**

- Right Front: 6 7/9" Dual Element, 3000 W
- Left Front: 6 7/9" Dual Element, 3000 W
- Right Rear: 6", 1200 W
- Left Rear: 6", 1200 W
- Center: 7" Warming Center

**Oven**



- Capacity: 6.3 cu. ft.
- Hidden Bake Element
- Bake
- Variable Broil: Low/High
- Breadproof

**Warranty**  
One (1) Year Parts and Labor

**Product Dimensions & Weight (WxHxD)**  
Oven Interior Dimensions:  
24 13/16" x 22 1/16" x 19 3/4"  
Outside Net Dimensions:  
29 9/16" x 36 - 36 3/4" (Adjustable) x 28 11/16"  
Weight: 166 lbs

**Shipping Dimensions & Weight (WxHxD)**  
Dimensions:  
33 1/16" x 41 3/4" x 30 5/16"  
Weight: 189 lbs

Color	Model #	UPC Code
Fingerprint Resistant Stainless Steel	NE63T811ISS	887276409009
Fingerprint Resistant Black Stainless Steel	NE63T811ISG	887276408996

Spec Sheet - front

Spec Sheet - back

# User Manual

## Easy Ads link

<http://www.samsungeasyads.com/mm/nicePath/easyads?nav=pr658604000>



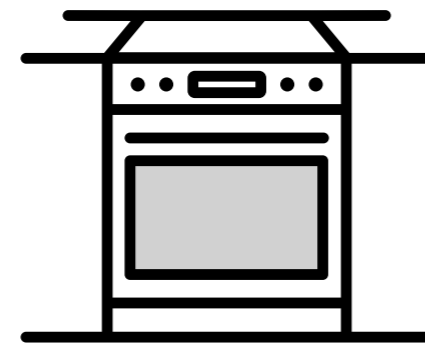
User Manual

# Feature Icons

---

NE63T8111SS – 6.3 cu. ft. Front Control Slide-In Electric Range

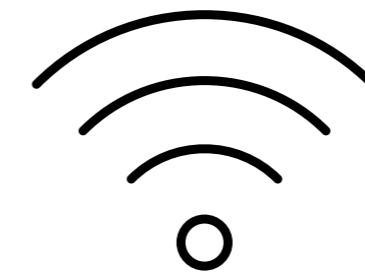
# Feature Icons



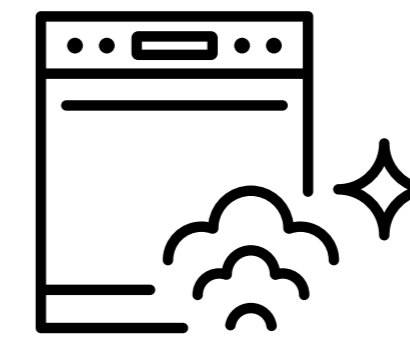
Slide-In Design



Fingerprint Resistant Finish



Wi-Fi Connectivity



Self + Steam Clean



**SAMSUNG**