

**INSTALLER: LEAVE THIS MANUAL WITH THE APPLIANCE.
 CONSUMER: RETAIN THIS MANUAL FOR FUTURE REFERENCE.
 NEVER LEAVE CHILDREN OR OTHER AT RISK INDIVIDUALS ALONE WITH THE APPLIANCE**

EN
FR
PG
73



INSTALLATION AND OPERATING INSTRUCTIONS

CERTIFIED UNDER CANADIAN AND AMERICAN NATIONAL STANDARDS: CSA 2.22 • ANSI Z21.50 FOR VENTED GAS FIREPLACES.

CERTIFIED FOR CANADA AND UNITED STATES USING ANSI/CSA METHODS.

SAFETY INFORMATION

! WARNING

If the information in these instructions are not followed exactly, a fire or explosion may result causing property damage, personal injury or loss of life.

- Do not store or use gasoline or other flammable vapors and liquids in the vicinity of this or any other appliance.
- **WHAT TO DO IF YOU SMELL GAS:**
 - Do not try to light any appliance.
 - Do not touch any electrical switch; do not use any phone in your building.
 - Immediately call your gas supplier from a neighbour's phone. Follow the gas supplier's instructions.
 - If you cannot reach your gas supplier, call the fire department.
- Installation and service must be performed by a qualified installer, service agency or the supplier.

This appliance may be installed in an aftermarket, permanently located, manufactured home (USA only) or mobile home, where not prohibited by local codes.

This appliance is only for use with the type of gas indicated on the rating plate. This appliance is not convertible for use with other gases, unless a certified kit is used.

Decorative Product: Not for use as a heating appliance.

APPLY SERIAL NUMBER LABEL FROM CARTON



BARRIER

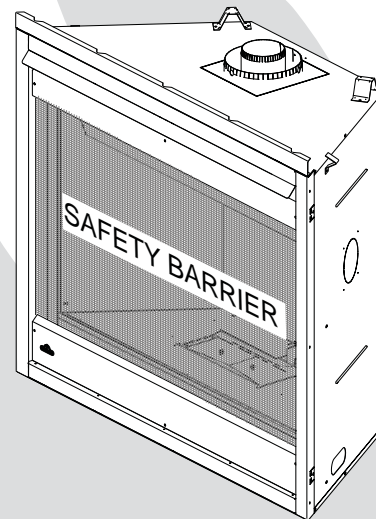


B46NTR / B46NTRE

NATURAL GAS MODEL

B46PTR / B46PTRE

PROPANE GAS MODEL



! DANGER

HOT GLASS WILL CAUSE BURNS.

DO NOT TOUCH GLASS UNTIL COOLED.

NEVER ALLOW CHILDREN TO TOUCH GLASS.

A barrier designed to reduce the risk of burns from the hot viewing glass is provided with this appliance and shall be installed for the protection of children and other at-risk individuals.



Wolf Steel Ltd., 24 Napoleon Rd., Barrie, ON, L4M 0G8 Canada /
 103 Miller Drive, Crittenden, Kentucky, USA, 41030

Phone (705)721-1212 • Fax (705)722-6031 • www.napoleonfireplaces.com • hearth@napoleonproducts.com

TABLE OF CONTENTS

1.0	INSTALLATION OVERVIEW	3
2.0	INTRODUCTION	4
2.1	DIMENSIONS	5
2.2	GENERAL INSTRUCTIONS	6
2.3	GENERAL INFORMATION	7
2.4	RATING PLATE INFORMATION	8
3.0	VENTING	9
3.1	VENTING LENGTHS AND COMPONENTS	10
3.2	TYPICAL VENT INSTALLATION	11
3.3	SPECIAL VENT INSTALLATIONS	13
3.3.1	PERISCOPE TERMINATION	13
3.3.2	CORNER TERMINATION	13
3.4	MINIMUM AIR TERMINAL LOCATION CLEARANCES	14
3.5	VENTING APPLICATION FLOW CHART	15
3.6	DEFINITIONS	16
3.7	ELBOW VENT LENGTH VALUES	16
3.8	TOP EXIT VERTICAL TERMINATION	17
3.9	REAR EXIT HORIZONTAL TERMINATION	19
3.10	TOP AND REAR EXIT VERTICAL TERMINATION	21
3.11	REAR EXIT	23
3.12	REAR BAFFLE INSTALLATION	24
3.13	TOP EXIT	25
4.0	INSTALLATION	26
4.1	WALL AND CEILING PROTECTION	26
4.1.1	HORIZONTAL INSTALLATION	27
4.1.2	VERTICAL INSTALLATION	27
4.2	USING FLEXIBLE VENT COMPONENTS	28
4.2.1	HORIZONTAL AIR TERMINAL INSTALLATION	28
4.2.2	VERTICAL AIR TERMINAL INSTALLATION	29
4.2.3	APPLIANCE VENT CONNECTION	30
4.3	USING RIGID VENT COMPONENTS	30
4.3.1	HORIZONTAL AIR TERMINAL INSTALLATION	30
4.3.2	VERTICAL AIR TERMINAL INSTALLATION	31
4.3.3	RESTRICTING VERTICAL VENTS	31
4.4	VERTICAL THROUGH EXISTING CHIMNEY	32
4.5	MOBILE HOME INSTALLATION	33
4.6	GAS INSTALLATION	34
4.7	OPTIONAL WALL SWITCH	34
5.0	FRAMING	35
5.1	MINIMUM FRAMING DIMENSIONS	36
5.2	MINIMUM ENCLOSURE CLEARANCES	38
5.3	NON-COMBUSTIBLE FACING MATERIAL	42
5.4	RECESSED INSTALLATION	43
5.5	ALCOVE CLEARANCES	44
5.6	MINIMUM MANTEL CLEARANCES	44
6.0	FINISHING	45
6.1	SAFETY SCREEN / DOOR REMOVAL AND INSTALLATION	45
6.2	FRONT HOOD INSTALLATION	46
6.3	LOG PLACEMENT	47
6.4	GLOWING EMBERS	48
6.5	LOGO PLACEMENT	48
6.6	BATTERY BACK-UP INSTALLATION	49
6.7	OPTIONAL BLOWER INSTALLATION	50
6.8	WIRING DIAGRAM (ELECTRONIC)	51
7.0	OPERATION (ELECTRONIC)	52
8.0	OPERATION (MILLIVOLT)	53
9.0	ADJUSTMENT	54
9.1	PILOT BURNER ADJUSTMENT	54
9.2	VENTURI ADJUSTMENT	54
9.3	FLAME CHARACTERISTICS	55
9.4	ANTI CONDENSATION SWITCH (MODELS B46NTRE AND B46PTRE ONLY)	55
10.0	MAINTENANCE	56
10.1	ANNUAL MAINTENANCE	57
10.2	DOOR GLASS REPLACEMENT	58
10.3	CARE OF GLASS	58
11.0	REPLACEMENTS	59
12.0	OVERVIEW	60
13.0	VALVE TRAIN ASSEMBLY (ELECTRONIC)	61
14.0	VALVE TRAIN ASSEMBLY (MILLIVOLT)	62
15.0	ACCESSORIES	63
16.0	TROUBLESHOOTING (ELECTRONIC)	64
17.0	TROUBLESHOOTING (MILLIVOLT)	67
18.0	WARRANTY	70
19.0	SERVICE HISTORY	71

NOTE: Changes, other than editorial, are denoted by a vertical line in the margin.

1.0 INSTALLATION OVERVIEW

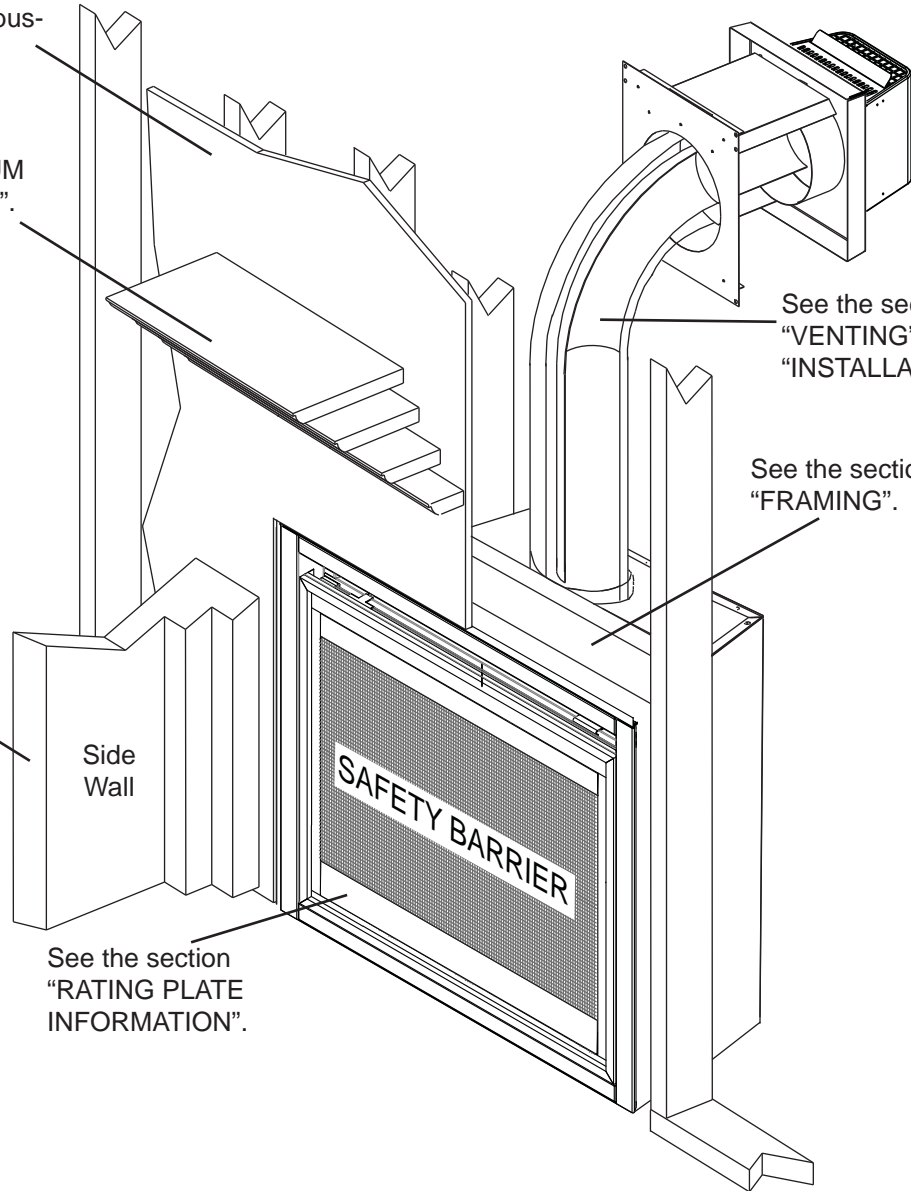
See the section "MINIMUM ENCLOSURE CLEARANCES" for drywall (or other combustible material).

See the section "MINIMUM MANTEL CLEARANCES".

See the section "VENTING" and "INSTALLATION".

See the section "FRAMING".

See the section "NON-COMBUSTIBLE FINISHING".



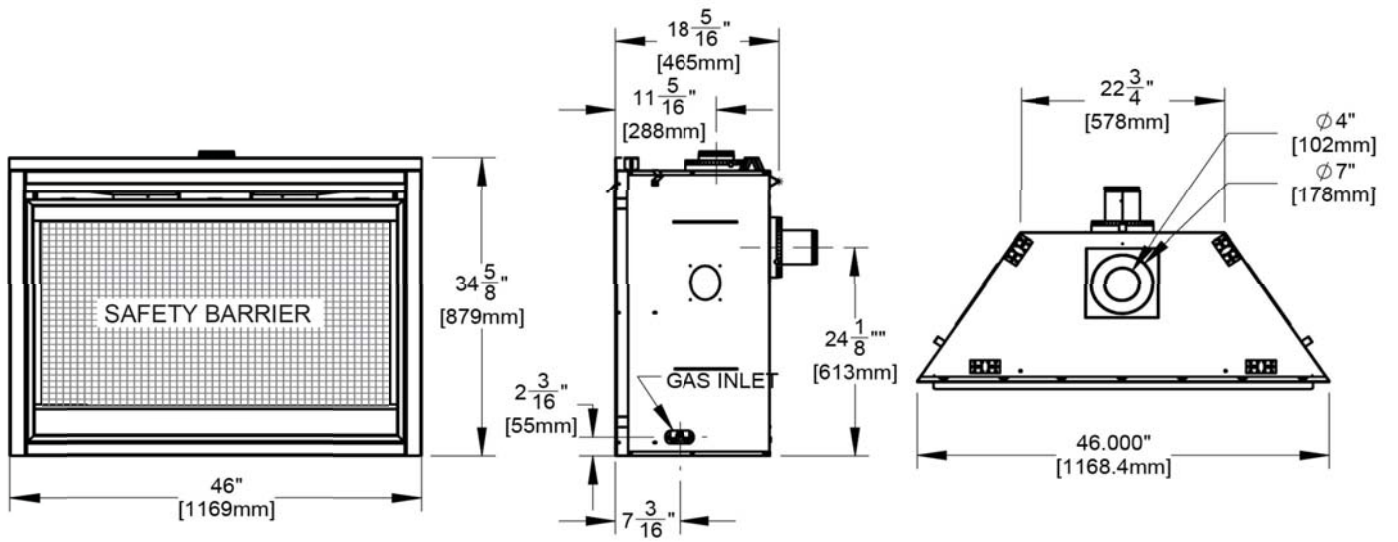
Batteries must be disposed of according to the local laws and regulations. Some batteries may be recycled, and may be accepted for disposal at your local recycling center. Check with your municipality for recycling instructions.

2.0 INTRODUCTION


WARNING

- **THIS APPLIANCE IS HOT WHEN OPERATED AND CAN CAUSE SEVERE BURNS IF CONTACTED.**
- **ANY CHANGES TO THIS APPLIANCE OR IT'S CONTROLS CAN BE DANGEROUS AND IS PROHIBITED.**
- Do not operate appliance before reading and understanding operating instructions. Failure to operate appliance according to operating instructions could cause fire or injury.
- Risk of fire or asphyxiation do not operate appliance with fixed glass removed.
- Do not connect 110 volts to the control valve.
- Risk of burns. The appliance should be turned off and cooled before servicing.
- Do not install damaged, incomplete or substitute components.
- Risk of cuts and abrasions. Wear protective gloves and safety glasses during installation. Sheet metal edges may be sharp.
- Do not burn wood or other materials in this appliance.
- **Children and adults should be alerted to the hazards of high surface temperature and should stay away to avoid burns or clothing ignition.**
- **Young children should be carefully supervised when they are in the same room as the appliance. Toddlers, young children and others may be susceptible to accidental contact burns. A physical barrier is recommended if there are at risk individuals in the house. To restrict access to an appliance or stove, install an adjustable safety gate to keep toddlers, young children and other at risk individuals out of the room and away from hot surfaces.**
- **Clothing or other flammable material should not be placed on or near the appliance.**
- **Due to high temperatures, the appliance should be located out of traffic and away from furniture and draperies.**
- Ensure you have incorporated adequate safety measure to protect infants/toddlers from touching hot surfaces.
- Even after the appliance is out, the glass and/or screen will remain hot for an extended period of time.
- Check with your local hearth specialty dealer for safety screens and hearth guards to protect children from hot surfaces. These screens and guards must be fastened to the floor.
- **Any safety screen, guard or barrier removed for servicing the appliance, must be replaced prior to operating the appliance.**
- The appliance is a vented gas-fired appliance. Do not burn wood or other materials in the appliance.
- The appliance area must be kept clear and free from combustible materials, gasoline and other flammable vapors and liquids.
- Under no circumstances should this appliance be modified.
- This appliance must not be connected to a chimney flue pipe serving a separate solid fuel burning appliance.
- Do not use this appliance if any part has been under water. Immediately call a qualified service technician to inspect the appliance and to replace any part of the control system and any gas control which has been under water.
- Do not operate the appliance with the glass door removed, cracked or broken. Replacement of the glass should be done by a licensed or qualified service person.
- Do not strike or slam shut the appliance glass door.
- When equipped with pressure relief doors, they must be kept closed while the appliance is operating to prevent exhaust fumes containing carbon monoxide, from entering into the home. Temperatures of the exhaust escaping through these openings can also cause the surrounding combustible materials to overheat and catch fire. Only doors / optional fronts certified with the unit are to be installed on the appliance.
- **Only doors / optional fronts certified with the unit are to be installed on the appliance.**
- Keep the packaging material out of reach of children and dispose of the material in a safe manner. As with all plastic bags, these are not toys and should be kept away from children and infants.
- As with any combustion appliance, we recommend having your appliance regularly inspected and serviced as well as having a Carbon Monoxide Detector installed in the same area to defend you and your family against Carbon Monoxide.
- Ensure clearances to combustibles are maintained when building a mantel or shelves above the appliance. Elevated temperatures on the wall or in the air above the appliance can cause melting, discolouration or damage to decorations, a T.V. or other electronic components.
- **A barrier designed to reduce the risk of burns from the hot viewing glass is provided with this appliance and shall be installed.**
- **If the barrier becomes damaged, the barrier shall be replaced with the manufacturer's barrier for this appliance.**
- **Installation and repair should be done by a qualified service person. The appliance should be inspected before use and at least annually by a professional service person. More frequent cleaning may be required due to excessive lint from carpeting, bedding material, etc. It is imperative that control compartments, burners and circulating air passageways of the appliance be kept clean.**
- This appliance uses and requires a fast acting thermocouple. Replace only with a fast acting thermocouple supplied by Wolf Steel Ltd.

2.1 DIMENSIONS



2.2 GENERAL INSTRUCTIONS

EN

! WARNING
ALWAYS LIGHT THE PILOT WHETHER FOR THE FIRST TIME OR IF THE GAS SUPPLY HAS RUN OUT, WITH THE GLASS DOOR OPENED OR REMOVED.
PROVIDE ADEQUATE CLEARANCE FOR SERVICING AND OPERATING THE APPLIANCE.
PROVIDE ADEQUATE VENTILATION.
NEVER OBSTRUCT THE FRONT OPENING OF THE APPLIANCE.
OBJECTS PLACED IN FRONT OF THE APPLIANCE MUST BE KEPT A MINIMUM OF 48" (1219mm) FROM THE FRONT FACE OF THE APPLIANCE.
SURFACES AROUND AND ESPECIALLY ABOVE THE APPLIANCE CAN BECOME HOT. AVOID CONTACT WHEN THE APPLIANCE IS OPERATING.
FIRE RISK. EXPLOSION HAZARD.
HIGH PRESSURE WILL DAMAGE VALVE. DISCONNECT GAS SUPPLY PIPING BEFORE PRESSURE TESTING GAS LINE AT TEST PRESSURES ABOVE 1/2 PSIG. CLOSE THE MANUAL SHUT-OFF VALVE BEFORE PRESSURE TESTING GAS LINE AT TEST PRESSURES EQUAL TO OR LESS THAN 1/2 PSIG (35 mb).
USE ONLY WOLF STEEL APPROVED OPTIONAL ACCESSORIES AND REPLACEMENT PARTS WITH THIS APPLIANCE. USING NON-LISTED ACCESSORIES (BLOWERS, DOORS, LOUVRES, TRIMS, GAS COMPONENTS, VENTING COMPONENTS, ETC.) COULD RESULT IN A SAFETY HAZARD AND WILL VOID THE WARRANTY AND CERTIFICATION.

THIS GAS APPLIANCE SHOULD BE INSTALLED AND SERVICED BY A QUALIFIED INSTALLER to conform with local codes. Installation practices vary from region to region and it is important to know the specifics that apply to your area, for example in Massachusetts State:

- This product must be installed by a licensed plumber or gas fitter when installed within the commonwealth of Massachusetts.
- The appliance damper must be removed or welded in the open position prior to installation of an appliance insert or gas log.
- The appliance off valve must be a "T" handle gas cock.
- The flexible connector must not be longer than 36 inches (914mm).
- A Carbon Monoxide detector is required in all rooms containing gas fired appliances.
- The appliance is not approved for installation in a bedroom or bathroom unless the unit is a direct vent sealed combustion product.

The installation must conform with local codes or, in absence of local codes, the National Gas and Propane Installation Code CSA B149.1 in Canada, or the National Fuel Gas Code, ANSI Z223.1 / NFPA 54 in the United States. Suitable for mobile home installation if installed in accordance with the current standard CAN/CSA Z240MH Series, for gas equipped mobile homes, in Canada or ANSI Z223.1 and NFPA 54 in the United States.

As long as the required clearance to combustibles is maintained, the most desirable and beneficial location for an appliance is in the center of a building, thereby allowing the most efficient use of the heat created. The location of windows, doors and the traffic flow in the room where the appliance is to be located should be considered. If possible, you should choose a location where the vent will pass through the house without cutting a floor or roof joist.

If the appliance is installed directly on carpeting, vinyl tile or other combustible material other than wood flooring, the appliance shall be installed on a metal or wood panel extending the full width and depth.

Some appliances have optional fans or blowers. If an optional fan or blower is installed, the junction box must be electrically connected and grounded in accordance with local codes, use the current CSA C22.1 Canadian Electrical Code in Canada or the ANSI/NFPA 70 National Electrical code in the United States.



We suggest that our gas hearth products be installed and serviced by professionals who are certified in the U.S. by the National Fireplace Institute® (NFI) as NFI Gas Specialists

4.1B

2.3 GENERAL INFORMATION

FOR YOUR SATISFACTION, THIS APPLIANCE HAS BEEN TEST-FIRED TO ASSURE ITS OPERATION AND QUALITY!

B46 RATES AND EFFICIENCIES		
	NG	LP
Altitude (FT)	0-4,500	0-4,500
Max. Input (BTU/HR)	22,000	22,000
Min. Inlet Gas Supply Pressure	4.5" (11mb) Water Column	11" (27mb) Water Column
Max. Inlet Gas Supply Pressure	7" (17mb) Water Column	13" (32mb) Water Column
Manifold Pressure (Under Flow Conditions)	3.5" (9mb) Water Column	10" (25mb) Water Column

B46 MODEL DESIGNATIONS		
	FUEL TYPE	OPERATING SYSTEM
B46NTR	NATURAL	MILLIVOLT
B46NTRE	NATURAL	ELECTRONIC IGNITION
B46PTR	PROPANE	MILLIVOLT
B46PTRE	PROPANE	ELECTRONIC IGNITION

This appliance is approved for bathroom, bedroom and bed-sitting room installations and is suitable for mobile home installation.

MODELS B46NTR AND B46PTR ONLY : No external electricity (110 volts or 24 volts) is required for the gas system operation.

Expansion / contraction noises during heating up and cooling down cycles are normal and are to be expected.

2.4 RATING PLATE INFORMATION

EN

<p>CONFORMS TO / CONFORME AUX: ANSI Z21.50-2014, CERTIFIED TO / CERTIFIE CSA 2.22-2014 VENTED GAS FIREPLACE / FOYER À GAZ VENTILÉ.</p> <p>DIRECT VENT GAS FIREPLACE, SUITABLE FOR BEDROOM, BATHROOM AND BED-SITTING ROOM INSTALLATION. SUITABLE FOR MOBILE HOME INSTALLATION IF INSTALLED IN ACCORDANCE WITH THE CURRENT STANDARD CAN/CSA Z240MH SERIES GAS EQUIPPED MOBILE HOMES, IN CANADA OR IN THE UNITED STATES THE MANUFACTURED HOME CONSTRUCTION AND SAFETY STANDARD, TITLE 24 CFR, PART 3280. WHEN THIS US STANDARD IS NOT APPLICABLE USE THE STANDARD FOR FIRE SAFETY CRITERIA FOR MANUFACTURED HOME INSTALLATIONS, SITES AND COMMUNITIES, ANSI / NFPA 501A. FOR USE WITH BARRIER W565-0228. FOLLOW THE INSTALLATION INSTRUCTIONS LOCATED IN THE INSTALLATION MANUAL.</p>		<p>FOYER À GAZ VENTILÉ DIRECT HOMOLOGUÉ POUR INSTALLATION DANS UNE CHAMBRE À COUCHER, UNE SALLE DE BAIN ET UN STUDIO APPROPRIÉ POUR INSTALLATION DANS UNE MAISON MOBILE SI SON INSTALLATION CONFORME AUX EXIGENCES DE LA NORME CAN/CSA Z240MH SÉRIE DE MAISONS MOBILES ÉQUIPÉES AU GAZ, EN VIGILÉUR AU CANADA OU AUX ÉTATS-UNIS DE LA NORME DE SÉCURITÉ ET DE CONSTRUCTION DE MAISONS MANUFACTURÉES, TITRE 24 CFR, SECTION 3280. DANS LE CAS OÙ CETTE NORME D'ÉTATS-UNIS NE PEUT ÊTRE APPLIQUÉE, SE RÉFÉRER À LA NORME RELATIVE AU CRITÈRE DE MESURES DE SÉCURITÉ CONTRE L'INCENDIE POUR LES INSTALLATIONS DANS LES MAISONS MANUFACTURÉES, LES SITES ET LES COMMUNAUTÉS, ANSI/NFPA 501A. POUR UNE UTILISER AVEC BARRIÈRE W565-0228. SUIVEZ LES INSTRUCTIONS D'INSTALLATION SE TROUVENT DANS LE MANUEL D'INSTALLATION.</p>	
<p>9700539 (WSL) <input type="checkbox"/> Intertek <input type="checkbox"/> 4001657 (NGZ) <input type="checkbox"/> 4001658 (NAC) <input type="checkbox"/> 4001659 (WUSA) <input type="checkbox"/></p>		<p>MODEL <input type="checkbox"/> B46PTR <input type="checkbox"/> B46PTR <input type="checkbox"/> B46NTR <input type="checkbox"/> CB46NTR <input type="checkbox"/> CB46PTR <input type="checkbox"/> B46PTR <input type="checkbox"/> B46NTR <input type="checkbox"/> CB46NTR <input type="checkbox"/> CB46PTR <input type="checkbox"/> B46PTR</p>	
<p>0-4500FT (0-1370m) ALTITUDE / ELEVATION 0-4500FT (0-1370m) 22,000 BTU/h INPUT / ALIMENTATION 22,000 BTU/h 17,500 BTU/h REDUCED INPUT / ALIMENTATION RÉDUITE 19,000 BTU/h</p>		<p>MANIFOLD PRESSURE: 3.5" (9MB) WATER COLUMN PRESSION AU COLLECTEUR: 3.5" (9 MB) D'UNE COLONNE D'EAU MINIMUM SUPPLY PRESSURE: 4.5" (11MB) WATER COLUMN PRESSION D'ALIMENTATION MINIMALE: 4.5" (11MB) D'UNE COLONNE D'EAU MAXIMUM SUPPLY PRESSURE: 7.0" (17MB) WATER COLUMN PRESSION D'ALIMENTATION MAXIMALE: 7.0" (17MB) D'UNE COLONNE D'EAU</p>	
<p>MANIFOLD PRESSURE: 10" (25MB) WATER COLUMN PRESSION AU COLLECTEUR: 10" (25MB) D'UNE COLONNE D'EAU MINIMUM SUPPLY PRESSURE: 11" (27MB) WATER COLUMN PRESSION D'ALIMENTATION MINIMALE: 11" (27MB) D'UNE COLONNE D'EAU MAXIMUM SUPPLY PRESSURE: 13" (32MB) WATER COLUMN PRESSION D'ALIMENTATION MAXIMALE: 13" (32MB) D'UNE COLONNE D'EAU</p>		<p>P4: 65%</p>	
<p>NOT FOR USE WITH SOLID FUEL. FOR USE WITH GLASS DOORS CERTIFIED WITH THIS UNIT ONLY.</p> <p>WARNING: THIS FIREPLACE USES AND REQUIRES A FAST ACTING THERMOCOUPLE. REPLACE ONLY WITH A FAST ACTING THERMOCOUPLE SUPPLIED BY WOLF STEEL LTD. DO NOT ADD ANY MATERIAL TO THE APPLIANCE, WHICH WILL COME IN CONTACT WITH THE FLAMES, OTHER THAN THAT SUPPLIED BY THE MANUFACTURER WITH THE APPLIANCE. MINIMUM CLEARANCE TO COMBUSTIBLE MATERIALS / DÉGAGEMENTS MINIMAUX DES MATÉRIEAUX COMBUSTIBLES:</p>		<p>UN COMBUSTIBLE SOLIDE NE DOIT PAS ÊTRE UTILISÉ AVEC CET APPAREIL. UTILISER AVEC LES PORTES VITRÉES HOMOLOGUÉES SEULEMENT AVEC CETTE UNITÉ.</p> <p>AVERTISSEMENT: CE FOYER UTILISE ET REQUIERT UN THERMOCOUPLE À ACTION RAPIDE. REMPLACEZ UNIQUEMENT AVEC UN THERMOCOUPLE À ACTION RAPIDE DE WOLF STEEL LTÉE. N'AJOUTEZ PAS À CET APPAREIL AUCUN MATÉRIAU DEVANT ENTRER EN CONTACT AVEC LES FLAMMES AUTRE QUE CELUI QUI EST FOURNI AVEC CET APPAREIL PAR LE FABRICANT. THE APPLIANCE MUST BE VENTED USING THE APPROPRIATE WOLF STEEL VENT KITS. SEE OWNERS INSTALLATION MANUAL FOR VENTING SPECIFICS. PROPER REINSTALLATION AND RESEALING IS NECESSARY AFTER SERVICING THE VENT-AIR INTAKE SYSTEM. L'APPAREIL DOIT ÉVACUER SES GAZ EN UTILISANT L'ENSEMBLE D'ÉVACUATION PROPRE À NAPOLEON. RÉFÉRER AU MANUEL D'INSTALLATION DE PROPRIÉTAIRE POUR L'ÉVACUATION PRÉCISE. IL EST IMPORTANT DE BIEN REINSTALLER ET RECELLER L'ÉVENT APRES AVOIR ASSURE LE MAINTIEN DU SYSTÈME DE PRISE D'AIR. DECORATIVE PRODUCT: NOT FOR USE AS A HEATING APPLIANCE PRODUIT DÉCORATIF: NE PAS UTILISER COMME APPAREIL DE CHAUFFAGE. ELECTRICAL RATING / CLASSIFICATION: 115V 0.82AMP, 60HZ OPTIONAL FAN KIT / ENSEMBLE DE VENTILATEUR FACULTATIF: EP35</p>	
<p>* MAXIMUM HORIZONTAL EXTENSION / L'EXTENSION HORIZONTALE MAXIMALE: 2". SEE INSTRUCTION MANUAL FOR GREATER EXTENSIONS. RÉFÉRER AU MANUEL D'INSTRUCTION POUR DES EXTENSIONS PLUS GRANDES. SEE OWNER'S INSTRUCTION MANUAL FOR MINIMUM AND MAXIMUM VENT LENGTHS. RÉFÉRER AU MANUEL D'INSTALLATION DE PROPRIÉTAIRE POUR LES LONGUEURS D'ÉVACUATION MINIMALE ET MAXIMALE.</p>		<p>WOLF STEEL LTD. 24 NAPOLEON ROAD, BARRIE, ON, L4M 0G8, CANADA</p>	
<p><input type="checkbox"/></p>		<p>SERIAL NUMBER/NO. DE SERIE: B46TR W385-2134</p>	

INSTALLER: It is your responsibility to check off the appropriate box on the rating plate according to the model, venting and gas type of the appliance.

For rating plate location, see "INSTALLATION OVERVIEW" section.

This illustration is for reference only. Refer to the rating plate on the appliance for accurate information.

NOTE: The rating plate must remain with the appliance at all times. It must not be removed.

3.0 VENTING

WARNING

RISK OF FIRE, MAINTAIN SPECIFIED AIR SPACE CLEARANCES TO VENT PIPE AND APPLIANCE.

IF VENTING IS INCLUDED WITH SPACERS THE VENT SYSTEM MUST BE SUPPORTED EVERY 3FT (0.9m) FOR BOTH VERTICAL AND HORIZONTAL RUNS. USE SUPPORTS OR EQUIVALENT NON-COMBUSTIBLE STRAPPING TO MAINTAIN THE REQUIRED CLEARANCE FROM COMBUSTIBLES. USE WOLF STEEL LTD. SUPPORT RING ASSEMBLY W010-0370 OR EQUIVALENT NON-COMBUSTIBLE STRAPPING TO MAINTAIN THE MINIMUM CLEARANCE TO COMBUSTIBLES FOR BOTH VERTICAL AND HORIZONTAL RUNS. SPACERS ARE ATTACHED TO THE INNER PIPE AT PREDETERMINED INTERVALS TO MAINTAIN AN EVEN AIR GAP TO THE OUTER PIPE. THIS GAP IS REQUIRED FOR SAFE OPERATION. A SPACER IS REQUIRED AT THE START, MIDDLE AND END OF EACH ELBOW TO ENSURE THIS GAP IS MAINTAINED. THESE SPACERS MUST NOT BE REMOVED.

**THIS APPLIANCE USES A 4" (102mm) EXHAUST / 7" (178mm) AIR INTAKE VENT PIPE SYSTEM.
Refer to the section applicable to your installation.**

For safe and proper operation of the appliance follow the venting instruction exactly. Deviation from the minimum vertical vent length can create difficulty in burner start-up and/or carboning. Under extreme vent configurations, allow several minutes (5-15) for the flame to stabilize after ignition. Although not a requirement, it is recommended for vent lengths that pass through unheated spaces (attics, garages, crawl spaces) be insulated with the insulation wrapped in a protective sleeve to minimize condensation. Provide a means for visually checking the vent connection to the appliance after the appliance is installed. Use a firestop, vent pipe shield or attic insulation shield when penetrating interior walls, floor or ceiling.

The vent terminal may be painted with a high temperature paint to match exterior colours. Use an outdoor paint suitable for 400°F (200°C)

NOTE: If for any reason the vent air intake system is disassembled; reinstall per the instructions provided for the initial installation.

7.1D

3.1 VENTING LENGTHS AND COMPONENTS

Use only Wolf Steel, Simpson Dura-Vent, Selkirk Direct Temp, American Metal Amerivent or Metal-Fab venting components. Minimum and maximum vent lengths, for both horizontal and vertical installations, and air terminal locations for either system are set out in this manual and must be adhered to. For Simpson Dura-Vent, Selkirk Direct Temp, American Metal Amerivent and Metal-Fab follow the installation procedure provided with the venting components.

A starter adaptor must be used with the following vent systems and may be purchased from the corresponding supplier:

PART	4"/7"	SUPPLIER	WEBSITE
Duravent	W175-0053	Wolf Steel	www.duravent.com
Amerivent	4DSC-N2	American Metal	www.americanmetalproducts.com
Direct Temp	4DT-AAN	Selkirk	www.selkirkcorp.com
SuperSeal	4DNA	Metal-Fab	www.mtlfab.com

For Simpson Dura-Vent, Selkirk Direct Temp, American Metal Amerivent and Metal-Fab follow the installation procedure found on the website for your venting supplier.

For vent systems that provide seals on the inner exhaust flue, only the outer air intake joints must be sealed using a red high temperature silicone (RTV). This same sealant may be used on both the inner exhaust and outer intake vent pipe joints of all other approved vent systems except for the exhaust vent pipe connection to the appliance flue collar which must be sealed using the black high temperature sealant Mill Pac. High temperature sealant must be ordered separately.

When using Wolf Steel venting components, use only approved Wolf Steel rigid / flexible components with the following termination kits: wall terminal kit **GD222**, **GD222R**, or 1/12 to 7/12 pitch roof terminal kit **GD110**, 8/12 to 12/12 roof terminal kit **GD111**, flat roof terminal kit **GD112** or periscope kit **GD201** (for wall penetration below grade). With flexible venting, in conjunction with the various terminations, use either the 5 foot (1.5m) vent kit **GD220** or the 10 foot (3.1m) vent kit **GD330**.

For optimum flame appearance and appliance performance, keep the vent length and number of elbows to a minimum. The air terminal must remain unobstructed at all times. Examine the air terminal at least once a year to verify that it is unobstructed and undamaged.

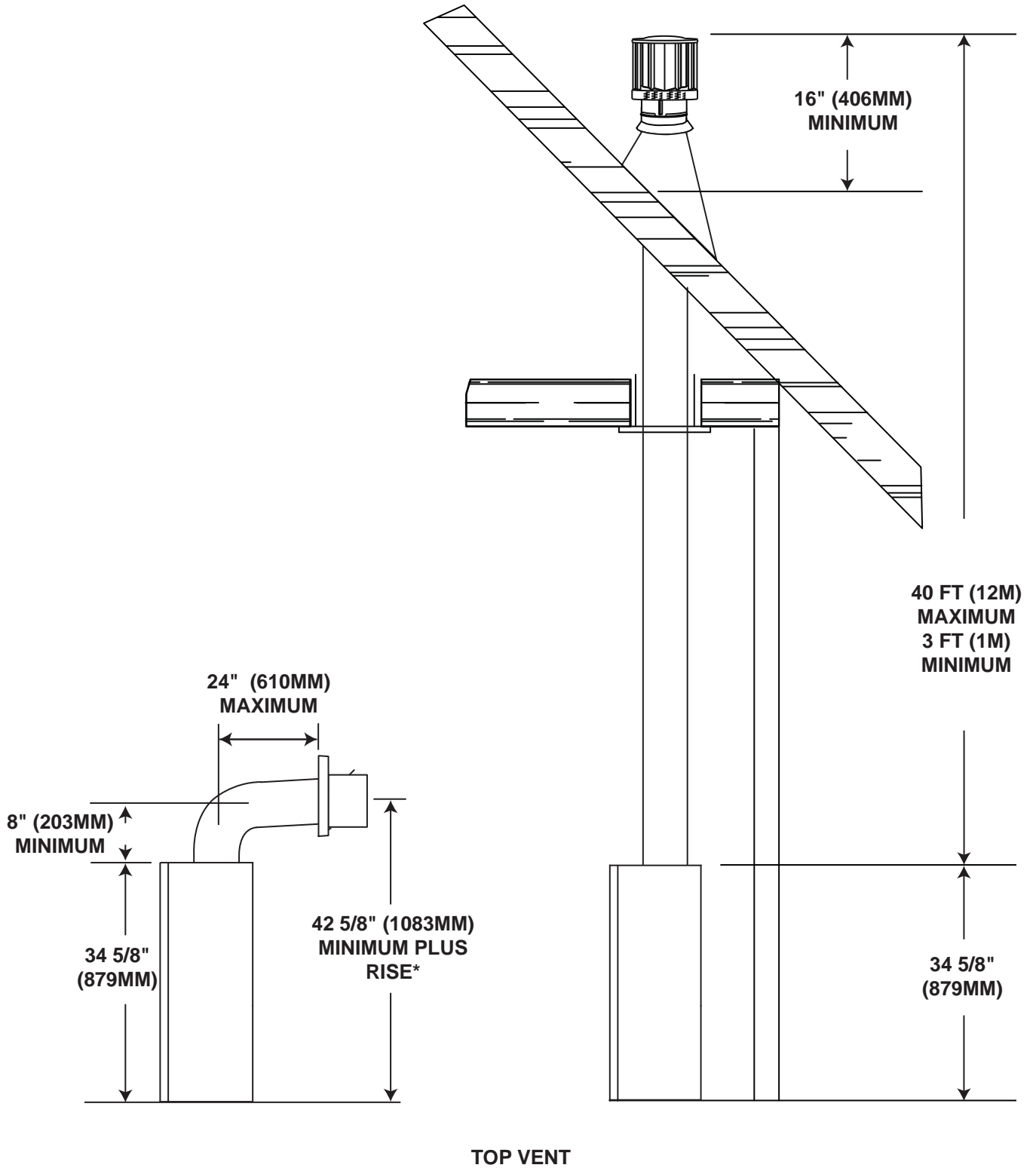
Rigid and flexible venting systems must not be combined. Different venting manufacturer components must not be combined.

These vent kits allow for either horizontal or vertical venting of the appliance. The maximum allowable horizontal run is 20 feet (6.1m). The maximum allowable vertical vent length is 40 feet (12.2m). The maximum number of vent connections is two horizontally or three vertically (excluding the appliance and the air terminal connections) when using flexible venting.

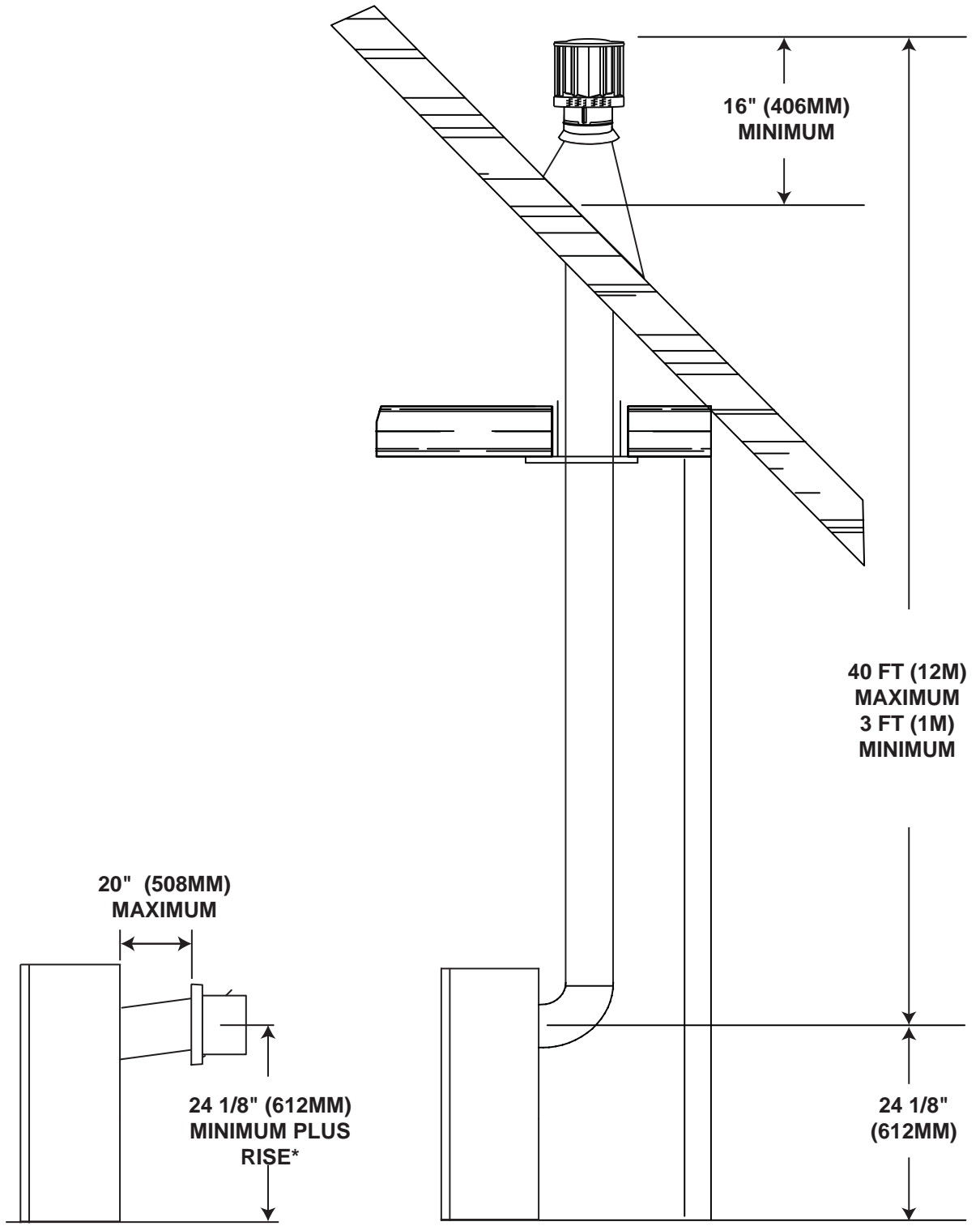
8.1A

3.2 TYPICAL VENT INSTALLATION

EN



* See "VENTING" section



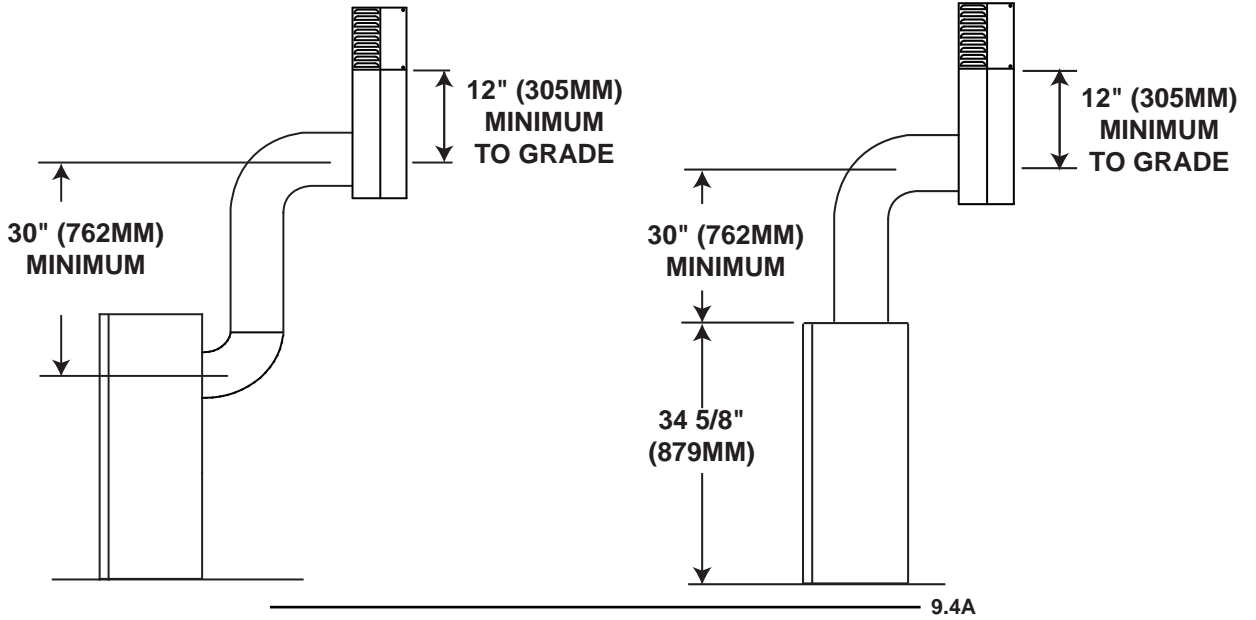
REAR VENT

* See "VENTING" section

3.3 SPECIAL VENT INSTALLATIONS

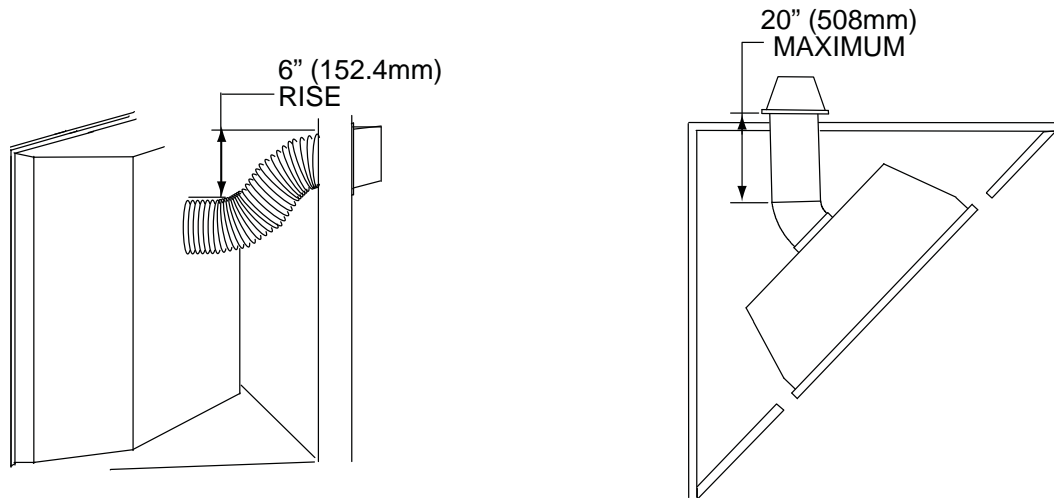
3.3.1 PERISCOPE TERMINATION

Use the periscope kit to locate the air termination above grade. The periscope must be installed so that when final grading is completed, the bottom air slot is located a minimum 12" (304.8mm) above grade. The maximum allowable vent length is 10' (3.1m) for a fireplace and 8' (2.4m) for a stove.



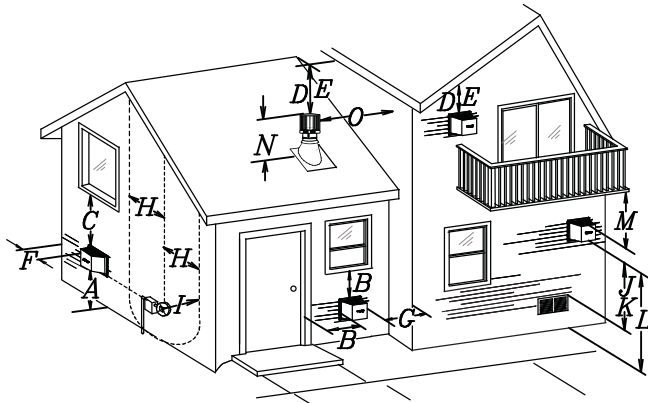
3.3.2 CORNER TERMINATION

The maximum vent length for a corner installation is 20" (508mm) of horizontal run, in addition to the 45° offset. In this case zero rise is acceptable. See illustrations below. It is recommended to maintain a 6" (152mm) rise.

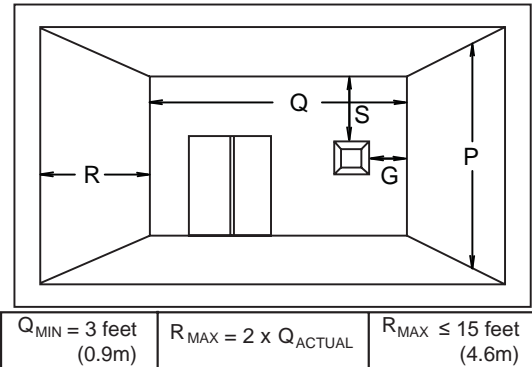


3.4 MINIMUM AIR TERMINAL LOCATION CLEARANCES

EN



COVERED BALCONY APPLICATIONS ††*



INSTALLATIONS

	CANADA	U.S.A.	
--	--------	--------	--

	CANADA	U.S.A.	
A	12" (305mm)	12" (305mm)	Clearance above grade, veranda porch, deck or balcony.
B	12" (305mm) ^Δ	9" (229mm) ^Δ	Clearance to windows or doors that open.
C	12" (305mm)*	12" (305mm) *	Clearance to permanently closed windows.
D	18" (457mm)**	18" (457mm)**	Vertical clearance to ventilated soffits located above the terminal within a horizontal distance of 2' (0.6m) from the center line of the terminal.
E	12" (305mm)**	12" (305mm)**	Clearance to unventilated soffit.
F	0" (0mm)	0" (0mm)	Clearance to an outside corner wall.
G	0" (0mm)***	0" (0mm)***	Clearance to an inside non-combustible corner wall or protruding non-combustible obstructions (chimney, etc.).
	2" (51mm)***	2" (51mm)***	Clearance to an inside combustible corner wall or protruding combustible obstructions (vent chase, etc.).
H	3' (0.9m)	3' (0.9m)****	Clearance to each side of the center line extended above the meter / regulator assembly to a maximum vertical distance of 15' (4.6m).
I	3' (0.9m)	3' (0.9m)****	Clearance to a service regulator vent outlet.
J	12" (305mm)	9" (229mm)	Clearance to a non-mechanical air supply inlet to the building or a combustion air inlet to any other appliance.
K	6' (1.8m)	3' (0.9m) †	Clearance to a mechanical air supply inlet.
L	7' (2.1m) ‡	7' (2.1m) ****	Clearance above a paved sidewalk or paved driveway located on public property.
M	12" (305mm)††	12" (305mm)****	Clearance under a veranda, porch or deck.
N	16" (406mm)	16" (406mm)	Clearance above the roof.
O	2' (0.6m)†*	2' (0.6m) †*	Clearance from an adjacent wall including neighbouring buildings.
P	8' (2.4m)	8' (2.4m)	Roof must be non-combustible without openings.
Q	3' (0.9m)	3' (0.9m)	See chart for wider wall dimensions.
R	6' (1.8m)	6' (1.8m)	See chart for deeper wall dimensions. The terminal shall not be installed on any wall that has an opening between the terminal and the open side of the structure.
S	12" (305mm)	12" (305mm)	Clearance under a covered balcony

Δ The terminal shall not be located less than 6 feet under a window that opens on a horizontal plane in a structure with three walls and a roof.

* Recommended to prevent condensation on windows and thermal breakage

** It is recommended to use a heat shield and to maximize the distance to vinyl clad soffits.

*** The periscope requires a minimum 18 inches clearance from an inside corner.

**** This is a recommended distance. For additional requirements check local codes.

† 3 feet above if within 10 feet horizontally.

‡ A vent shall not terminate where it may cause hazardous frost or ice accumulations on adjacent property surfaces.

†† Permitted only if the veranda, porch, or deck is fully open on a minimum of two sides beneath the floor.

†* Recommended to prevent recirculation of exhaust products. For additional requirements check local codes.

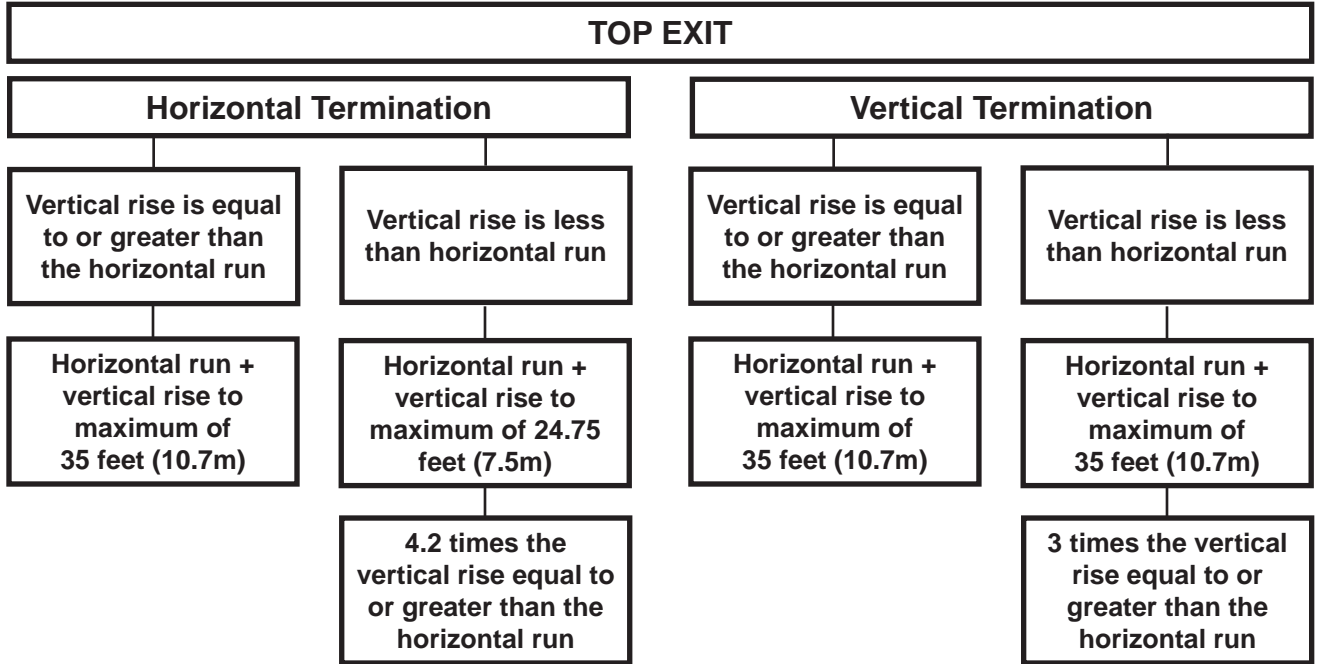
††* Permitted only if the balcony is fully open on a minimum of one side.

NOTE: Clearances are in accordance with local installation codes and the requirements of the gas supplier.

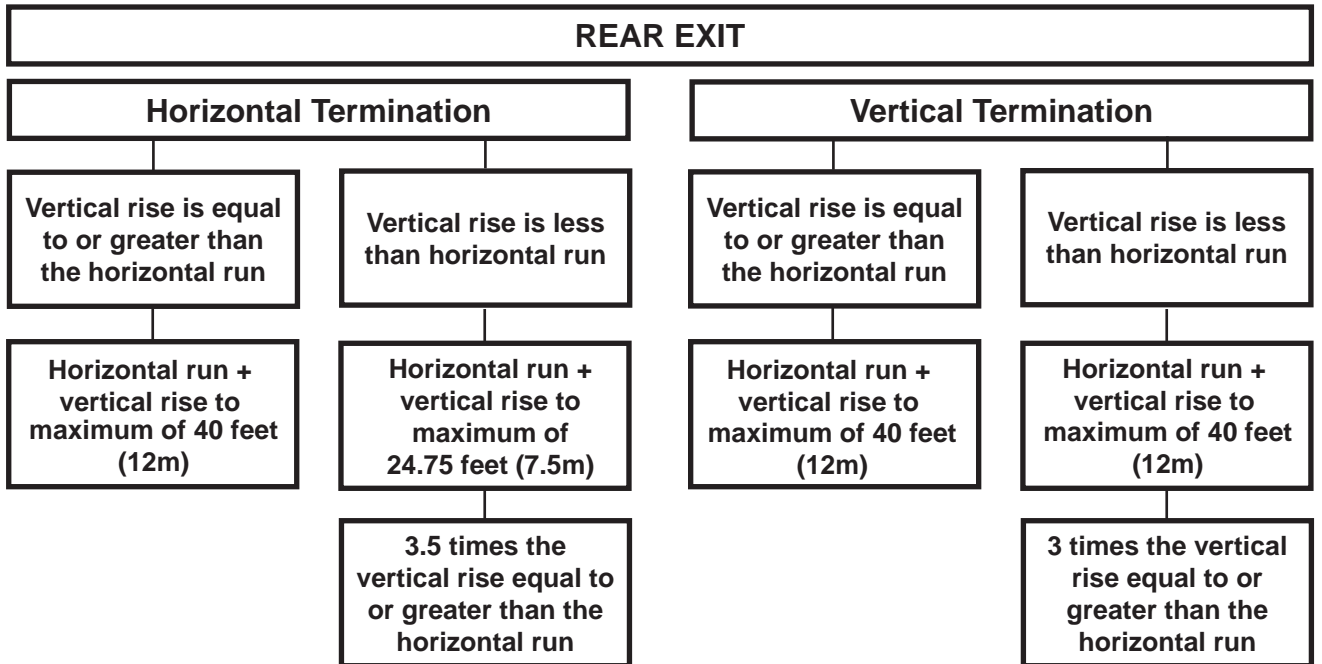
12.1D

3.5 VENTING APPLICATION FLOW CHART

EN



13.3A



13.2A

3.6 DEFINITIONS

For the following symbols used in the venting calculations and examples are:

> - greater than

≥ - equal to or greater than

< - less than

≤ - equal to or less than

H_T - total of both horizontal vent lengths (H_R) and offsets (H_O) in feet

H_R - combined horizontal vent lengths in feet

H_O - offset factor: .03 (total degrees of offset - 90°*) in feet

V_T - combined vertical vent lengths in feet

 14.1

3.7 ELBOW VENT LENGTH VALUES

	<u>FEET</u>	<u>INCHES</u>	<u>MILLIMETERS</u>
1°	0.03	0.5	12.7
15°	0.45	6.0	152.4
30°	0.9	11.0	279.4
45°	1.35	16.0	406.4
90°*	2.7	32.0	812.8

* The first 90° offset has a zero value and is shown in the formula as - 90°

 15.1A

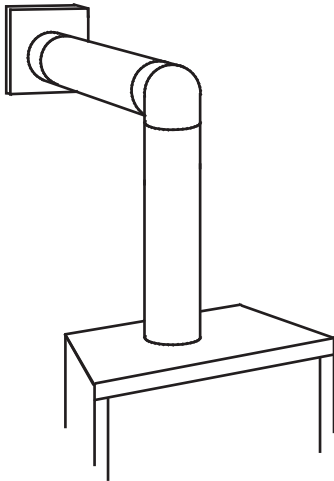
3.8 TOP EXIT VERTICAL TERMINATION

EN

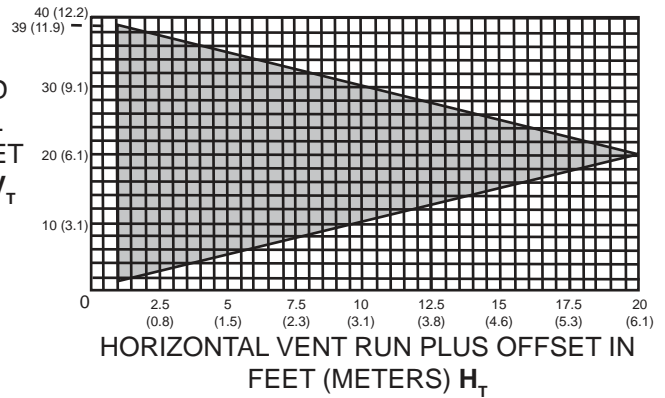
$(H_T) \leq (V_T)$

Simple venting configuration (only one 90° elbow)

See graph to determine the required vertical rise V_T for the required horizontal run H_T



REQUIRED VERTICAL RISE IN FEET (METERS) V_T



The shaded area within the lines represents acceptable values for H_T and V_T

For vent configurations requiring more than one 90° elbow, the following formulas apply:

Formula 1: $H_T \leq V_T$

Formula 2: $H_T + V_T \leq 40 \text{ feet (12.2m)}$

Example:

$V_1 = 3 \text{ FT (0.9m)}$

$V_2 = 8 \text{ FT (2.4m)}$

$V_T = V_1 + V_2 = 3 \text{ FT (0.9m)} + 8 \text{ FT (2.4m)} = 11 \text{ FT (3.4m)}$

$H_1 = 2.5 \text{ FT (0.8m)}$

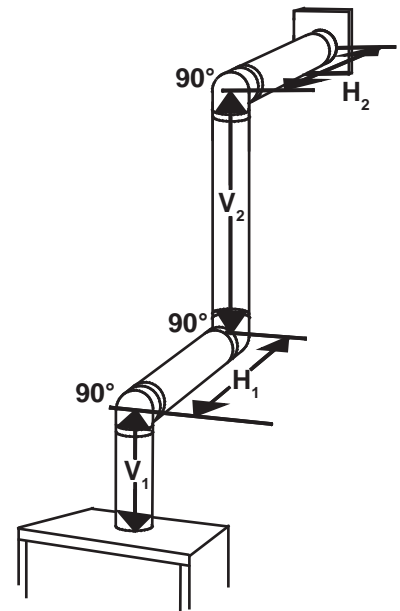
$H_2 = 2 \text{ FT (0.6m)}$

$H_R = H_1 + H_2 = 2.5 \text{ FT (0.8m)} + 2 \text{ FT (0.6m)} = 4.5 \text{ FT (1.4m)}$

$H_o = .03 \text{ (three } 90^\circ \text{ elbows - } 90^\circ) = .03 \text{ (} 270^\circ - 90^\circ) = 5.4 \text{ FT (1.7m)}$

$H_T = H_R + H_o = 4.5 \text{ FT (1.4m)} + 5.4 \text{ FT (1.6m)} = 9.9 \text{ FT (3m)}$

$H_T + V_T = 9.9 \text{ FT (3m)} + 11 \text{ FT (3.4m)} = 20.9 \text{ FT (6.4m)}$



Formula 1: $H_T \leq V_T$
 $9.9 \text{ FT (3m)} \leq 11 \text{ FT (3.4m)}$

Formula 2: $H_T + V_T \leq 40 \text{ FT (12.2m)}$
 $20.9 \text{ FT (6.4m)} \leq 40 \text{ FT (12.2m)}$

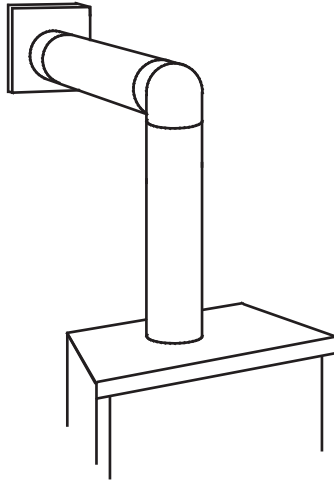
Since both formulas are met, this vent configuration is acceptable.

16.1B

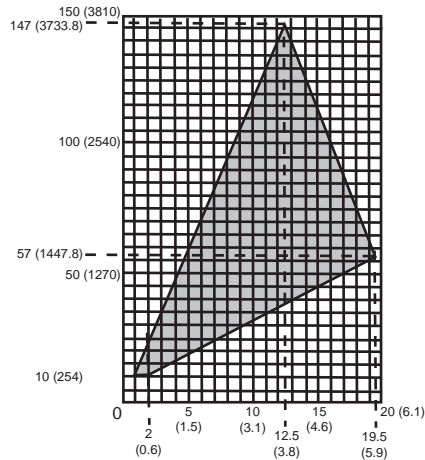
$$(H_T) > (V_T)$$

Simple venting configuration (only one 90° elbow)

See graph to determine the required vertical rise V_T for the required horizontal run H_T .



REQUIRED VERTICAL RISE IN INCHES (MILLIMETERS) V_T



HORIZONTAL VENT RUN PLUS OFFSET IN FEET (METERS) H_T

The shaded area within the lines represents acceptable values for H_T and V_T

For vent configurations requiring more than one 90° elbow, the following formulas apply:

Formula 1: $H_T \leq 4.2 V_T$

Formula 2: $H_T + V_T \leq 24.75 \text{ feet (7.5m)}$

Example:

$V_1 = V_T = 6 \text{ FT (1.8m)}$

$H_1 = 3 \text{ FT (0.9m)}$

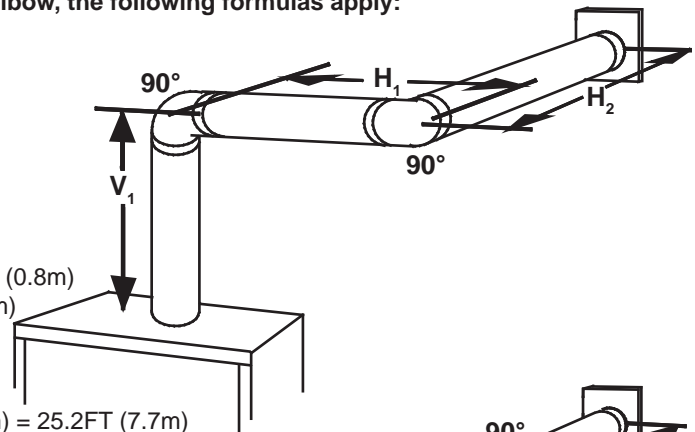
$H_2 = 5 \text{ FT (1.5m)}$

$H_R = H_1 + H_2 = 3\text{FT (0.9m)} + 5\text{FT (1.5m)} = 8\text{FT (2.4m)}$

$H_O = .03 \text{ (two } 90^\circ \text{ elbows - } 90^\circ) = .03 \text{ (} 180^\circ - 90^\circ) = 2.7\text{FT (0.8m)}$

$H_T = H_R + H_O = 8\text{FT (2.4m)} + 2.7\text{FT (0.8m)} = 10.7\text{FT (3.3m)}$

$H_T + V_T = 10.7\text{FT (3.3m)} + 6\text{ FT (1.8m)} = 16.7\text{FT (5.1m)}$



Formula 1: $H_T \leq 4.2 V_T$
 $4.2 V_T = 4.2\text{FT (1.3m)} \times 6\text{ FT (1.8m)} = 25.2\text{FT (7.7m)}$

Formula 2: $H_T + V_T \leq 24.75 \text{ FT (7.5m)}$
 $16.7 \text{ FT (5.1m)} \leq 24.75 \text{ FT (7.5m)}$

Since both formulas are met, this vent configuration is acceptable.

Example:

$V_1 = 4 \text{ FT (1.2m)}$

$V_2 = 1.5 \text{ FT (0.5m)}$

$V_T = V_1 + V_2 = 4 \text{ FT (1.2m)} + 1.5 \text{ FT (0.5m)} = 5.5 \text{ FT (1.7m)}$

$H_1 = 2 \text{ FT (0.6m)}$

$H_2 = 1 \text{ FT (0.3m)}$

$H_3 = 1 \text{ FT (0.3m)}$

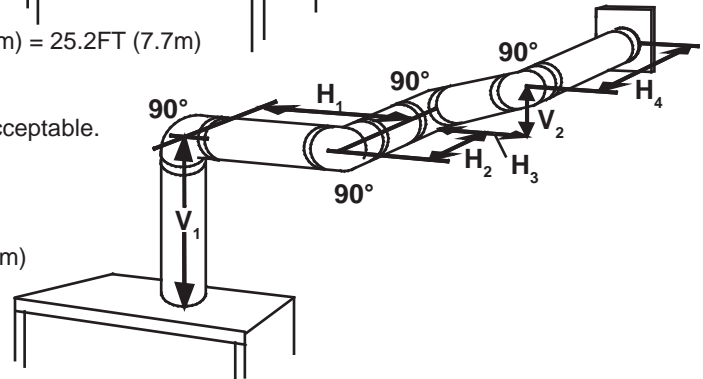
$H_4 = 1.5 \text{ FT (0.5m)}$

$H_R = H_1 + H_2 + H_3 + H_4 = 2\text{FT (0.6m)} + 1\text{FT (0.3m)} + 1\text{FT (0.3m)} + 1.5\text{FT (0.5m)} = 5.5 \text{ FT (1.7m)}$

$H_O = .03 \text{ (four } 90^\circ \text{ elbows - } 90^\circ) = .03 \text{ (} 360^\circ - 90^\circ) = 8.1 \text{ FT (2.5m)}$

$H_T = H_R + H_O = 5.5 \text{ FT (1.7m)} + 8.1 \text{ FT (2.5m)} = 13.6 \text{ FT (4.2m)}$

$H_T + V_T = 13.6 \text{ FT (4.2m)} + 5.5 \text{ FT (1.7m)} = 19.1 \text{ FT (5.8m)}$



Formula 1: $H_T \leq 4.2 V_T$
 $4.2 V_T = 4.2 \text{ FT (1.3m)} \times 5.5 \text{ FT (1.7m)} = 23.1 \text{ FT (7m)}$

$13.6 \text{ FT (4.2m)} \leq 23.1 \text{ FT (7m)}$

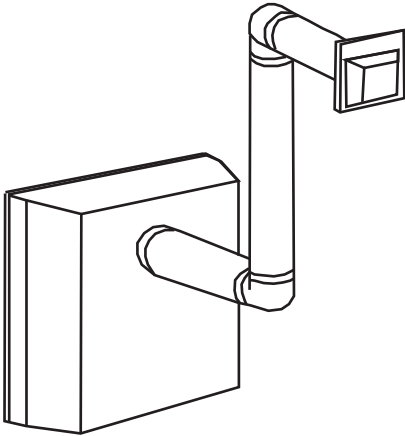
Formula 2: $H_T + V_T \leq 24.75 \text{ FT (7.5m)}$
 $19.1 \text{ FT (5.8m)} \leq 24.75 \text{ FT (7.5m)}$

Since both formulas are met, this vent configuration is acceptable.

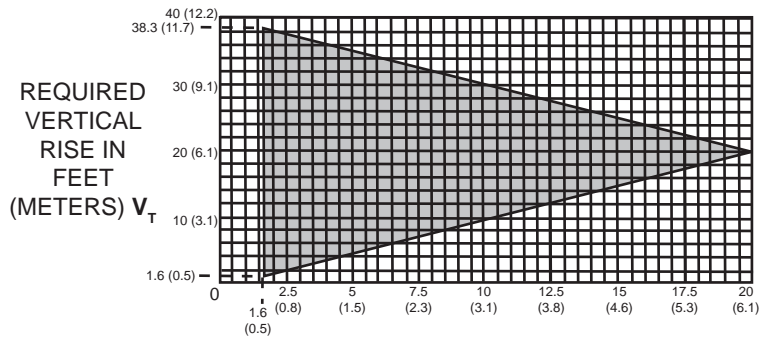
3.9 REAR EXIT HORIZONTAL TERMINATION

$$(H_T) \leq (V_T)$$

Simple venting configuration
(only two 90° elbows)



See graph to determine the required vertical rise V_T for the required horizontal run H_T .



HORIZONTAL VENT RUN PLUS OFFSET IN FEET (METERS) H_T
The shaded area within the lines represents acceptable values for H_T and V_T

For vent configurations requiring more than two 90° elbows, the following formulas apply:

Formula 1: $H_T \leq V_T$

Formula 2: $H_T + V_T \leq 40$ feet (12.2m)

Example:

$V_1 = 9$ FT (2.7m)

$V_2 = 6$ FT (1.8m)

$V_T = V_1 + V_2 = 9$ FT (2.7m) + 6FT (1.8m) = 15FT (4.6m)

$H_1 = 3$ FT (0.9m)

$H_2 = 2$ FT (0.6m)

$H_3 = 1.5$ FT (0.5m)

$H_R = H_1 + H_2 + H_3 = 3$ FT (0.9m) + 2FT (0.6m) + 1.5FT (0.5m) = 6.5FT (2m)

$H_o = .03$ (four 90° elbows - 90°) = .03 (360° - 90°) = 8.1 FT (2.5m)

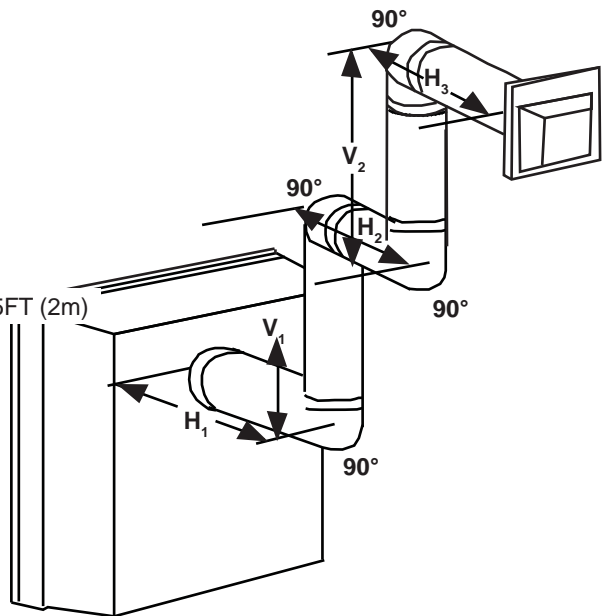
$H_T = H_R + H_o = 6.5$ FT (2m) + 8.1FT (2.5m) = 14.6FT (4.5m)

$H_T + V_T = 14.6$ FT (4.5m) + 15FT (4.6m) = 29.6 FT (9m)

Formula 1: $H_T \leq V_T$
14.6 FT (4.5m) \leq 15 FT (4.6m)

Formula 2: $H_T + V_T \leq 40$ FT (12.2m)
29.6 FT (9m) \leq 40 FT (12.2m)

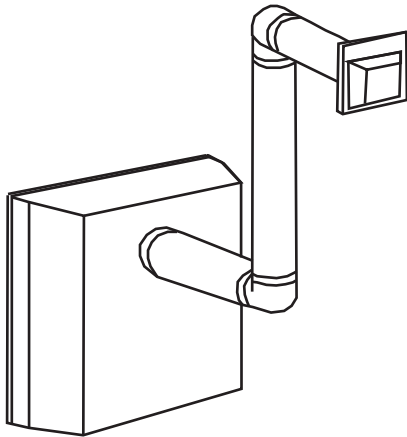
Since both formulas are met, this vent configuration is acceptable.



16.3A

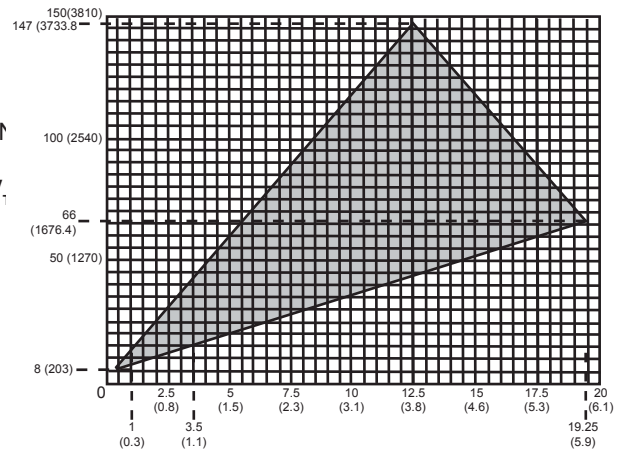
$$(H_T) > (V_T)$$

**Simple venting configuration
(only two 90° elbows)**



See graph to determine the required vertical rise V_T for the required horizontal run H_T .

REQUIRED
VERTICAL RISE IN
INCHES
(MILLIMETERS) V_T



HORIZONTAL VENT RUN PLUS OFFSET IN FEET (METERS) H_T
The shaded area within the lines represents acceptable values for H_T and V_T

For vent configurations requiring more than two 90° elbows, the following formulas apply:

Formula 1: $H_T \leq 3.5V_T$

Formula 2: $H_T + V_T \leq 24.75 \text{ feet (7.5m)}$

Example:

$V_1 = 4 \text{ FT (1.2m)}$

$V_2 = 1.5 \text{ FT (0.5m)}$

$V_T = V_1 + V_2 = 4\text{FT (1.2m)} + 1.5\text{FT (0.5m)} = 5.5 \text{ FT (1.7m)}$

$H_1 = 2 \text{ FT (0.6m)}$

$H_2 = 1 \text{ FT (0.3m)}$

$H_3 = 1 \text{ FT (0.3m)}$

$H_4 = 1.5 \text{ FT (0.5m)}$

$H_R = H_1 + H_2 + H_3 + H_4 = 2\text{FT (0.6m)} + 1\text{FT (0.3m)} + 1\text{FT (0.3m)} + 1.5\text{FT (0.5m)} = 5.5 \text{ FT (1.7m)}$

$H_o = .03$ (four 90° elbows + one 45° elbow - 90°)

$= .03 (90 + 90 + 90 + 90 + 45 - 90) = 9.45 \text{ FT (2.9m)}$

$H_T = H_R + H_o = 5.5\text{FT (1.7m)} + 9.45\text{FT (2.9m)} = 14.95\text{FT (4.6m)}$

$H_T + V_T = 14.95\text{FT (4.6m)} + 5.5\text{FT (1.7m)} = 20.45\text{FT (6.2m)}$

Formula 1: $H_T \leq 3.5V_T$

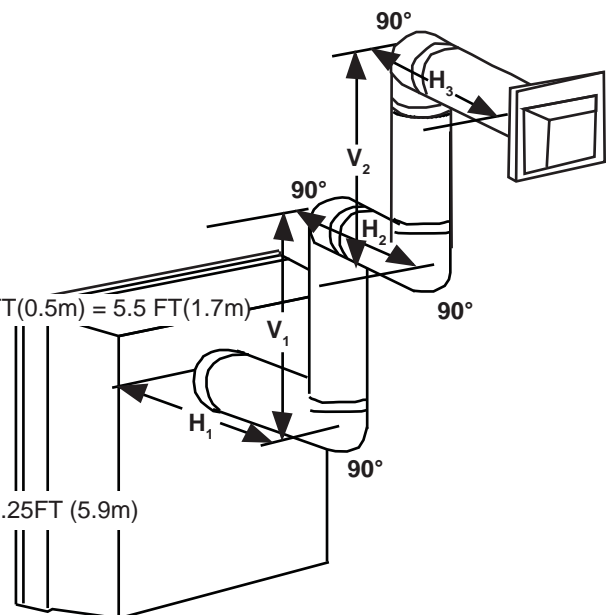
$3.5V_T = 3.5\text{FT (1.1m)} \times 5.5\text{FT (1.7m)} = 19.25\text{FT (5.9m)}$

$14.95 \text{ FT (4.6m)} \leq 19.25 \text{ FT (5.9m)}$

Formula 2: $H_T + V_T \leq 24.75 \text{ FT (7.5m)}$

$20.45 \text{ FT (6.2m)} \leq 24.75 \text{ FT (7.5m)}$

Since both formulas are met, this vent configuration is acceptable.

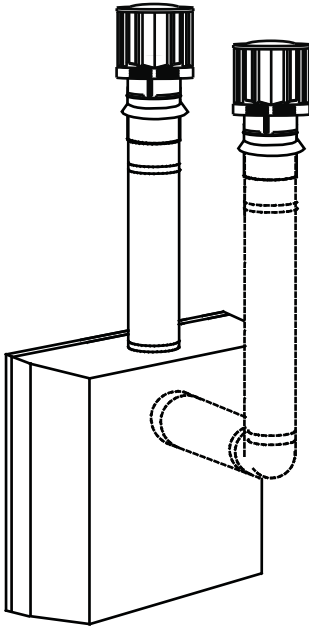


16.3_2B

3.10 TOP AND REAR EXIT VERTICAL TERMINATION

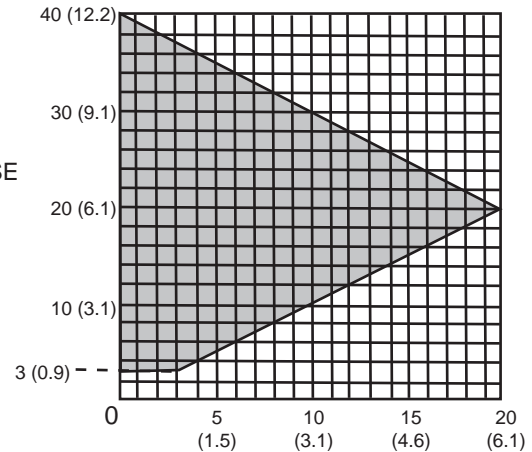
$$(H_T) \leq (V_T)$$

Simple venting configurations.



See graph to determine the required vertical rise V_T for the required horizontal run H_T .

REQUIRED VERTICAL RISE IN FEET (METERS) V_T



HORIZONTAL VENT RUN PLUS OFFSET IN FEET (METERS) H_T

The shaded area within the lines represents acceptable values for H_T and V_T

For vent configurations requiring one or more 90° elbows (top exit) or one or more 90° elbows (rear exit), the following formulas apply:

Formula 1: $H_T \leq V_T$

Formula 2: $H_T + V_T \leq 40 \text{ feet (12.2m)}$

Example:

$V_1 = 5 \text{ FT (1.5m)}$

$V_2 = 6 \text{ FT (1.8m)}$

$V_3 = 10 \text{ FT (3.1m)}$

$V_T = V_1 + V_2 + V_3 = 5\text{FT (1.5m)} + 6\text{FT (1.8m)} + 10\text{FT (3.1m)} = 21 \text{ FT (6.4m)}$

$H_1 = 8 \text{ FT (2.4m)}$

$H_2 = 2.5 \text{ FT (0.8m)}$

$H_R = H_1 + H_2 = 8\text{FT (2.4m)} + 2.5\text{FT (0.8m)} = 10.5\text{FT (3.2m)}$

$H_o = .03 \text{ (four } 90^\circ \text{ elbows } - 90^\circ)$

$= .03 (360^\circ - 90^\circ) = 8.1 \text{ FT (2.5m)}$

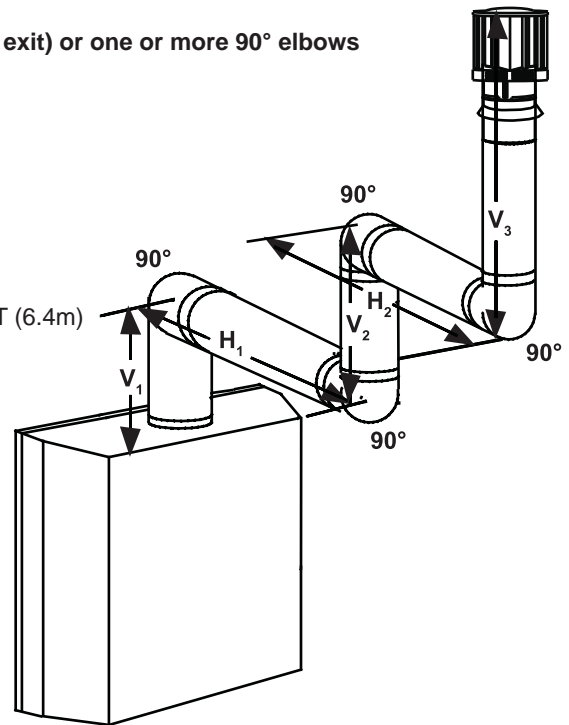
$H_T = H_R + H_o = 10.5\text{FT (3.2m)} + 8.1\text{FT (2.5m)} = 18.6\text{FT (5.7m)}$

$H_T + V_T = 18.6\text{FT (5.7m)} + 21\text{FT (6.4m)} = 39.6\text{FT (12.1m)}$

Formula 1: $H_T \leq 3.5V_T$
 $18.6 \text{ FT (5.7m)} \leq 21 \text{ FT (6.4m)}$

Formula 2: $H_T + V_T \leq 40 \text{ FT (12.2m)}$
 $39.6\text{FT (12.1m)} \leq 40 \text{ FT (12.2m)}$

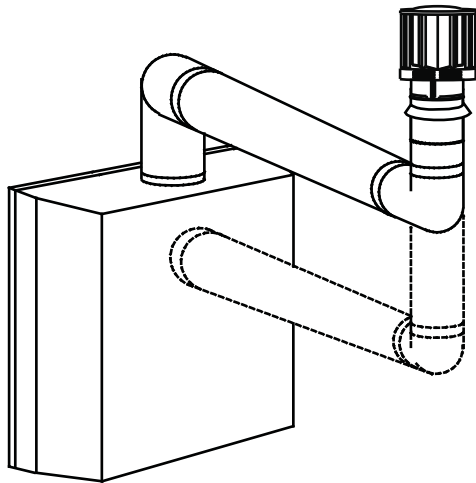
Since both formulas are met, this vent configuration is acceptable.



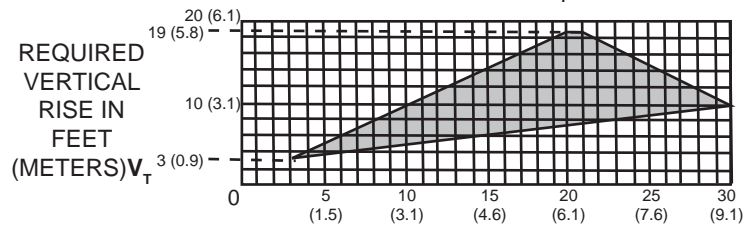
18.2A

$$(H_T) > (V_T)$$

Simple venting configurations.



See graph to determine the required vertical rise V_T for the required horizontal run H_T .



HORIZONTAL VENT RUN PLUS OFFSET IN FEET (METERS) H_T

The shaded area within the lines represents acceptable values for H_T and V_T

For vent configurations requiring more than two 90° elbows (top exit) or one 90° elbow (rear exit), the following formulas apply:

Formula 1: $H_T \leq 3 V_T$

Formula 2: $H_T + V_T \leq 40 \text{ feet (12.2m)}$

Example:

$$V_1 = 2 \text{ FT (0.6m)}$$

$$V_2 = 1 \text{ FT (0.3m)}$$

$$V_3 = 1.5 \text{ FT (0.5m)}$$

$$V_T = V_1 + V_2 + V_3 = 2\text{FT (0.6m)} + 1\text{FT (0.3m)} + 1.5\text{FT (0.5m)} = 4.5 \text{ FT (1.4m)}$$

$$H_1 = 6 \text{ FT (1.8m)}$$

$$H_2 = 2 \text{ FT (0.6m)}$$

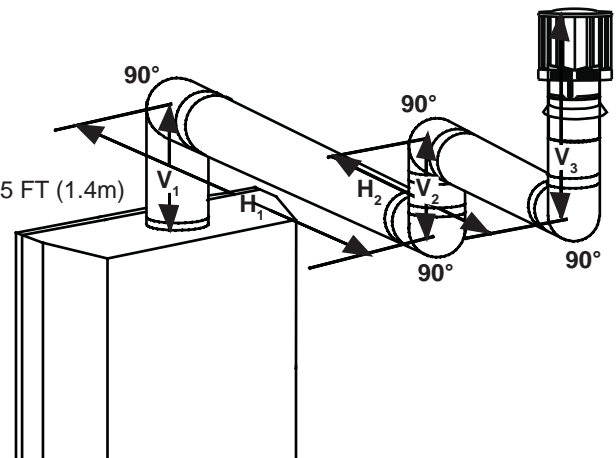
$$H_R = H_1 + H_2 = 6\text{FT (1.8m)} + 2\text{FT (0.6m)} = 8 \text{ FT (2.4m)}$$

$$H_O = .03 \text{ (four } 90^\circ \text{ elbows } - 90^\circ)$$

$$= .03 \text{ (} 360^\circ - 90^\circ) = 8.1 \text{ FT (2.5m)}$$

$$H_T = H_R + H_O = 8\text{FT (2.4m)} + 8.1\text{FT (2.5m)} = 16.1\text{FT (4.9m)}$$

$$H_T + V_T = 16.1\text{FT (4.9m)} + 4.5\text{FT (1.4m)} = 20.6\text{FT (6.3m)}$$



Formula 1: $H_T \leq 3.5 V_T$

$$3.5 V_T = 3\text{FT (0.9m)} \times 4.5\text{FT (1.4m)} = 13.5 \text{ FT (4.1m)}$$

$$16.1\text{FT (4.9m)} \leq 13.5 \text{ FT (4.1m)}$$

Since this formula is not met, this vent configuration is **unacceptable**.

Formula 2: $H_T + V_T \leq 40 \text{ FT (12.2m)}$

$$16.1\text{FT (4.9m)} \leq 13.5 \text{ (4.1m)}$$

Since only formula 2 is met, this vent configuration is unacceptable and a new fireplace location or vent configuration will need to be established to satisfy both formulas.

Example:

$$V_1 = 1.5 \text{ FT (0.5m)}$$

$$V_2 = 5 \text{ FT (1.5m)}$$

$$V_T = V_1 + V_2 = 1.5\text{FT (0.5m)} + 5\text{FT (1.5m)} = 6.5 \text{ FT (2m)}$$

$$H_1 = 1 \text{ FT (0.3m)}$$

$$H_2 = 1 \text{ FT (0.3m)}$$

$$H_3 = 10.75 \text{ FT (3.3m)}$$

$$H_R = H_1 + H_2 + H_3 = 1\text{FT (0.3m)} + 1\text{FT (0.3m)} + 10.75\text{FT (3.3m)} = 12.75\text{FT (3.9m)}$$

$$H_O = .03 \text{ (four } 90^\circ \text{ elbows + one } 45^\circ \text{ elbow - } 90^\circ)$$

$$= .03 (360^\circ + 45^\circ - 90^\circ) = 6.75 \text{ FT (2.1m)}$$

$$H_T = H_R + H_O = 12.75\text{FT (3.9m)} + 6.75\text{FT (2.1m)} = 19.5 \text{ FT (5.9m)}$$

$$H_T + V_T = 19.5\text{FT (5.9m)} + 6.5\text{FT (2m)} = 26 \text{ FT (7.9m)}$$

Formula 1:

$$H_T \leq 3 V_T$$

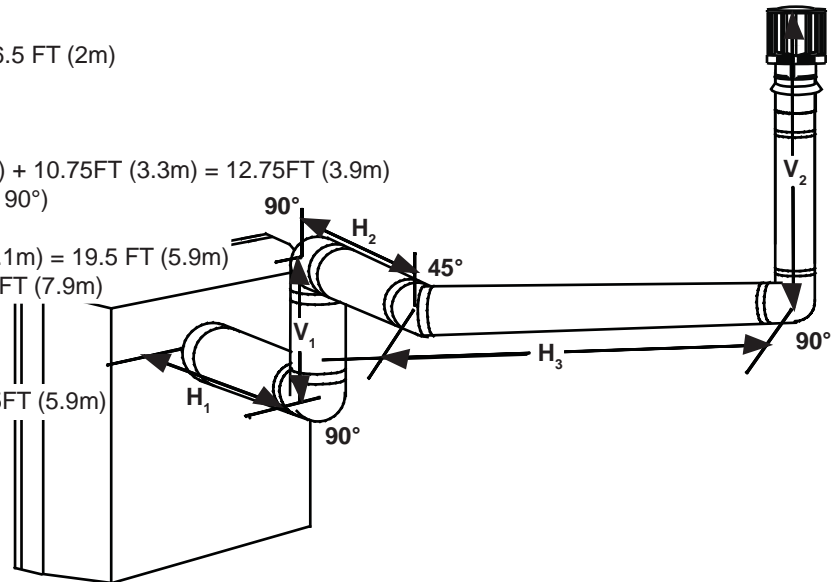
$$3 V_T = 3\text{FT (0.9m)} \times 6.5\text{FT (2m)} = 19.5\text{FT (5.9m)}$$

$$19.5\text{FT (5.9m)} = 19.5\text{FT (5.9m)}$$

Formula 2:

$$H_T + V_T \leq 40 \text{ FT (12.2m)}$$

$$26 \text{ FT (7.9m)} \leq 40 \text{ FT (12.2m)}$$



Since both formulas are met, this vent configuration is acceptable.

18.2_3A

3.11 REAR EXIT

! WARNING

FAILURE TO INSTALL THE CAP WILL CAUSE THE APPLIANCE TO FUNCTION IMPROPERLY AND CAN CAUSE INJURY OR PROPERTY DAMAGE.

See "REAR BAFFLE INSTALLATION" for further installation details.

- A. Remove the safety screen and glass front, refer to "SAFETY SCREEN / DOOR REMOVAL AND INSTALLATION" section.
- B. Remove the contents from the firebox and set aside, you will need the exhaust flue collar from the top of the log carton.
- C. To ease assembly, remove the four hex head screws securing the deflector from inside the top front of the firebox, refer to Figure 1.
- D. Place the gasket (provided) over the 4" (102mm) flue collar assembly and bend along perforation.
- E. From inside the firebox, insert the 4" (102mm) flue collar through the back of the firebox. Install the baffle bracket onto the 4" (102mm) flue collar.
- F. Secure the flue collar assembly, gasket and baffle bracket using the four hex head 3/8" thread cutting screws, refer to Figure 2. **NOTE: Do not overtighten. The gasket needs only to be snug against the firebox.**
- G. Reattach the deflector using the four screws and install the log set, glass door and safety screen.

Fig. 1

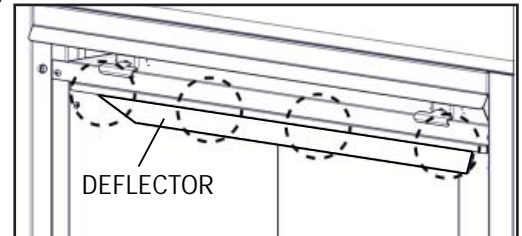
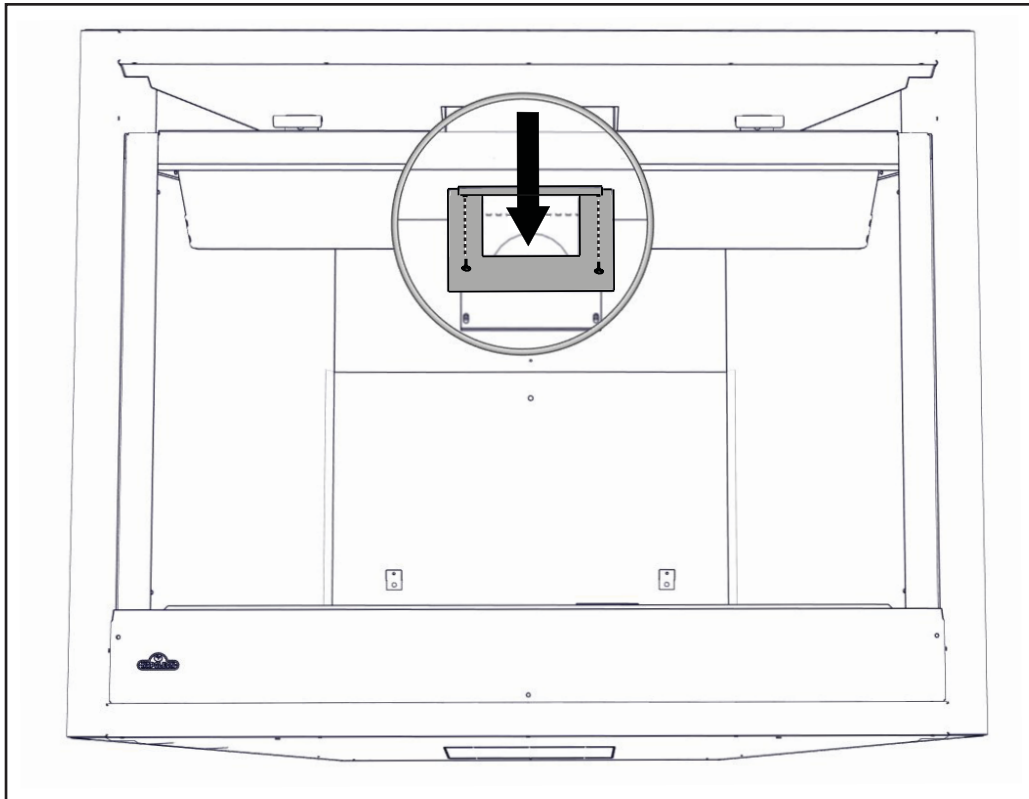


Fig. 2

3.12 REAR BAFFLE INSTALLATION

To be used in rear vent applications.

- A.** Remove the safety barrier assembly and door from the appliance, refer to the “SAFETY SCREEN / DOOR REMOVAL AND INSTALLATION” section of the manual for detailed instructions.
- B.** Loosen the two screws, that secure the exhaust plate, and slide the baffle in place by sliding its slotted openings behind the screwheads, tighten the two previously loosened screws. Refer to the illustration below.
- C.** Reinstall the door and safety barrier assembly on the appliance, refer to the “SAFETY SCREEN / DOOR REMOVAL AND INSTALLATION” section of the manual for detailed instructions.



3.13 TOP EXIT

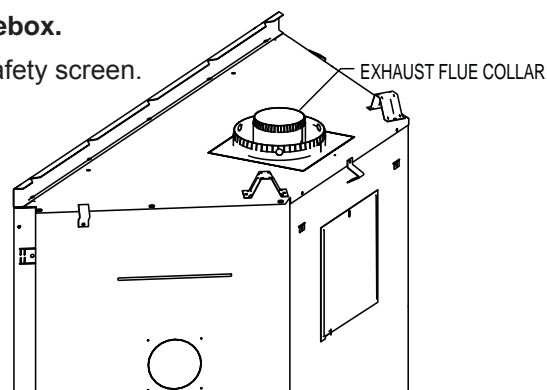
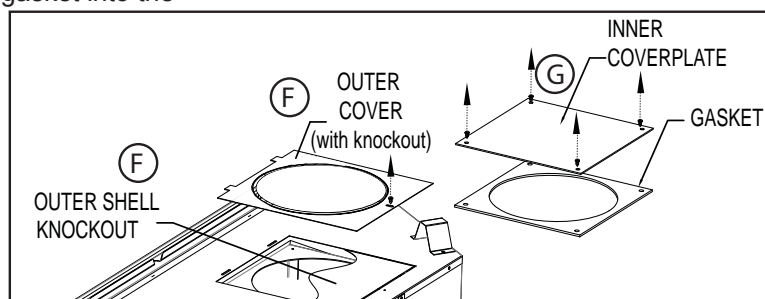
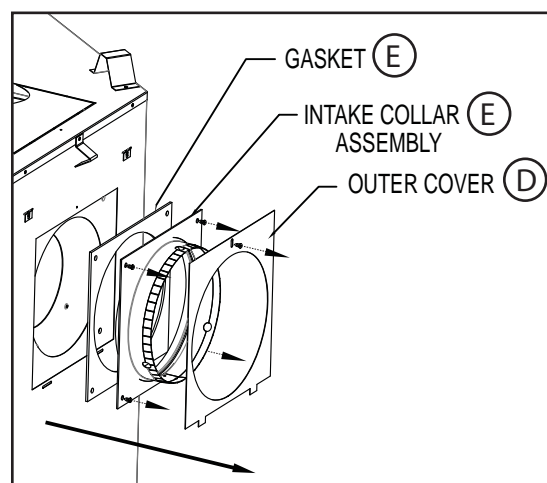
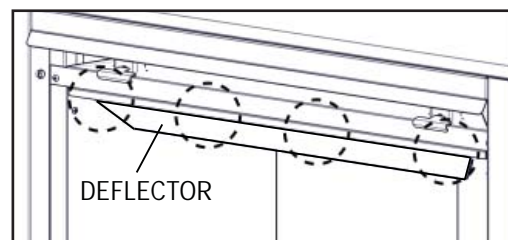
! WARNING

FAILURE TO INSTALL THE CAP WILL CAUSE THE APPLIANCE TO FUNCTION IMPROPERLY AND CAN CAUSE INJURY OR PROPERTY DAMAGE.

EN

NOTE: This appliance has been factory shipped as a rear vent.

- A. Remove the safety screen and glass front, refer to " SAFETY SCREEN / DOOR REMOVAL AND INSTALLATION" section.
- B. Remove the contents from the firebox and set aside, you will need the flue collar from the top of the log carton.
- C. To ease assembly, remove the four hex head screws securing the deflector from inside the top front of the firebox.
- D. Remove the single screw from the outer cover on the back of the appliance.
- E. Remove the four screws on the 7" (178mm) intake collar assembly; set the intake collar and gasket aside. Careful not to damage gasket.
- F. Remove the single screw from the outer cover with knockout intact, on the top of the appliance and set aside.
- G. Remove the inner cover plate and gasket by removing the four screws. Reinstall the inner cover plate and gasket onto the back of the appliance.
- H. Take the outer cover (with knockout intact) and secure onto the back of the appliance.
- I. Remove and discard the 1 1/2" thick batt of insulation.
- J. Place the 7" (178mm) intake collar and gasket into the top of the appliance and secure with the four screws.
- K. Reinstall the outer cover (without knock out) over the 7" (178mm) exhaust collar assembly and secure.
- L. From inside the firebox, install the 4" (102mm) exhaust collar up through the top of the firebox and secure with the the four hex head 3/8" thread cutting screws. **NOTE: Do not overtighten. The gasket needs only to be snug against the firebox.**
- M. Reattach the top deflector, log set, glass door and safety screen.



4.0 INSTALLATION

WARNING

ENSURE TO UNPACK ALL LOOSE MATERIALS FROM INSIDE THE FIREBOX PRIOR TO HOOKING UP THE GAS AND ELECTRICAL SUPPLY.

IF YOUR APPLIANCE IS SUPPLIED WITH A REMOTE ENSURE THE REMOTE RECEIVER IS IN THE “OFF” POSITION PRIOR TO HOOKING UP THE GAS AND ELECTRICAL SUPPLY TO THE APPLIANCE.

FOR SAFE AND PROPER OPERATION OF THE APPLIANCE, FOLLOW THE VENTING INSTRUCTIONS EXACTLY.

ALL INNER EXHAUST AND OUTER INTAKE VENT PIPE JOINTS MAY BE SEALED USING EITHER RED RTV HIGH TEMP SILICONE SEALANT W573-0002 (NOT SUPPLIED) OR BLACK HIGH TEMP MILL PAC W573-0007 (NOT SUPPLIED) WITH THE EXCEPTION OF THE APPLIANCE EXHAUST FLUE COLLAR WHICH MUST BE SEALED USING MILL PAC.

IF USING PIPE CLAMPS TO CONNECT VENT COMPONENTS, A MINIMUM OF 3 SCREWS MUST ALSO BE USED TO ENSURE THE CONNECTION CANNOT SLIP OFF.

DO NOT CLAMP THE FLEXIBLE VENT PIPE.

RISK OF FIRE, EXPLOSION OR ASPHYXIATION. IMPROPER SUPPORT OF THE ENTIRE VENTING SYSTEM MAY ALLOW VENT TO SAG AND SEPARATE. USE VENT RUN SUPPORTS AND CONNECT VENT SECTIONS PER INSTALLATION INSTRUCTIONS.

RISK OF FIRE, DO NOT ALLOW LOOSE MATERIALS OR INSULATION TO TOUCH THE VENT PIPE. REMOVE INSULATION TO ALLOW FOR THE INSTALLATION OF THE ATTIC SHIELD AND TO MAINTAIN CLEARANCES TO COMBUSTIBLES.

68.2C

4.1 WALL AND CEILING PROTECTION

WARNING

DO NOT FILL THE SPACE BETWEEN THE VENT PIPE AND ENCLOSURE WITH ANY TYPE OF MATERIAL. DO NOT PACK INSULATION OR COMBUSTIBLES BETWEEN CEILING FIRESTOPS. ALWAYS MAINTAIN SPECIFIED CLEARANCES AROUND VENTING AND FIRESTOP SYSTEMS. INSTALL WALL SHIELDS AND FIRESTOPS AS SPECIFIED. FAILURE TO KEEP INSULATION OR OTHER MATERIALS AWAY FROM VENT PIPE MAY CAUSE FIRE.

70.1

For clearances to combustible materials from the vent pipe, see “FRAMING” section.

4.1.1 HORIZONTAL INSTALLATION

! WARNING

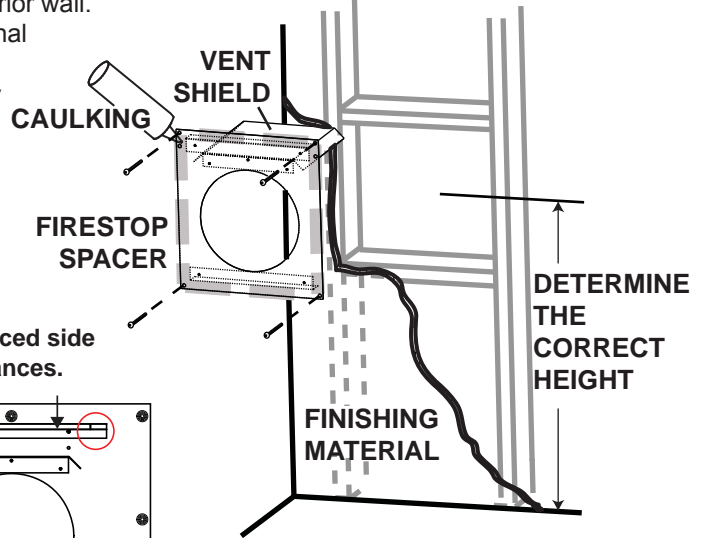
THE FIRESTOP ASSEMBLY MUST BE INSTALLED WITH THE VENT SHIELD TO THE TOP.

TERMINALS MUST NOT BE RECESSED INTO A WALL OR SIDING MORE THAN THE DEPTH OF THE RETURN FLANGE OF THE MOUNTING PLATE.

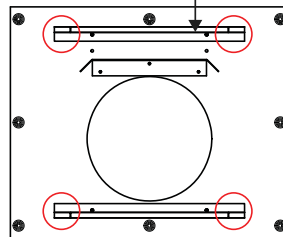
EN

This application occurs when venting through an exterior wall. Having determined the correct height for the air terminal location, cut and frame a hole in the exterior wall as illustrated to accommodate the firestop assembly. Dry fit the firestop assembly before proceeding to ensure the brackets on the rear surface fit to the inside surface of the horizontal framing.

The vent shield must be installed to the full depth of the combustible wall. The length of the vent shield may be cut shorter for combustible walls that are less than 6" (152mm) thick. **NOTE: Bend the tabs for reduced side clearances or move the shield for reduced top clearances.**



- A. Apply a bead of caulk (not supplied) around the corner edge of the inside surface of the firestop assembly, fit the firestop assembly to the hole and secure using the 4 screws (supplied in your manual baggie).



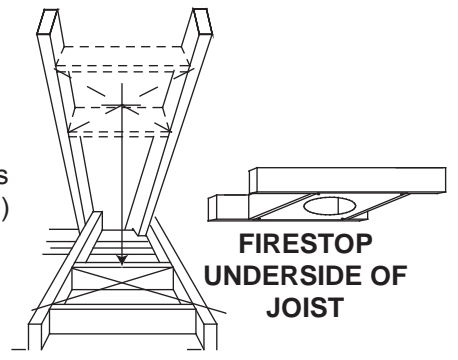
- B. Once the vent pipe is installed in its final position, apply high temperature sealant W573-0007 (not supplied) between the pipe and the firestop.

20.7A

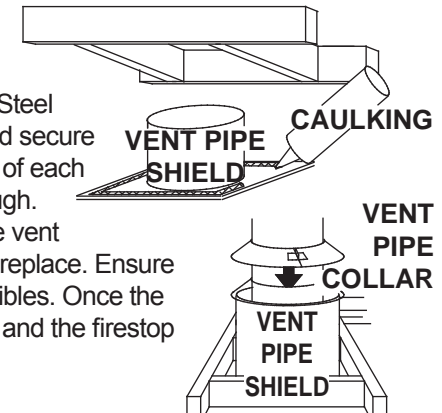
4.1.2 VERTICAL INSTALLATION

This application occurs when venting through a roof. Installation kits for various roof pitches are available from your authorized dealer / distributor. See accessories to order specific kits required.

- A. Determine the air terminal location, cut and frame a square opening as illustrated in the ceiling and the roof to provide the minimum 1" (25mm) clearance between the vent pipe and any combustible material. Try to center the vent pipe location midway between two joists to prevent having to cut them. Use a plumb bob to line up the center of the openings. A vent pipe shield will prevent any materials such as insulation, from filling up the 1" (25mm) air space around the pipe. Nail headers between the joist for extra support.



- B. Apply a bead of caulk (not supplied) to the framework or to the Wolf Steel vent pipe shield plate or equivalent (in the case of a finished ceiling), and secure over the opening in the ceiling. A firestop must be placed on the bottom of each framed opening in a roof or ceiling that the venting system passes through. Apply a bead of caulk all around and place a firestop spacer over the vent shield to restrict cold air from being drawn into the room or around the fireplace. Ensure that both spacer and shield maintain the required clearance to combustibles. Once the vent pipe is installed in its final position, apply sealant between the pipe and the firestop assembly.



- C. In the attic, slide the vent pipe collar down to cover up the open end of the shield and tighten. This will prevent any materials, such as insulation, from filling up the 1" (25mm) air space around the pipe.

21.1A

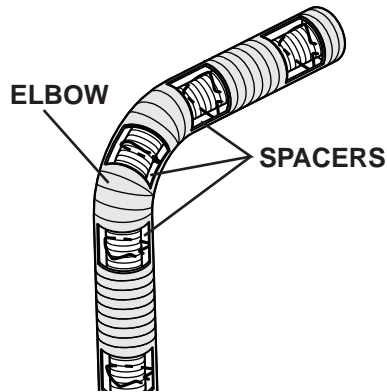
4.2 USING FLEXIBLE VENT COMPONENTS

EN

! WARNING

DO NOT ALLOW THE INNER FLEX PIPE TO BUNCH UP ON HORIZONTAL OR VERTICAL RUNS AND ELBOWS. KEEP IT PULLED TIGHT.

SPACERS ARE ATTACHED TO THE INNER FLEX PIPE AT PREDETERMINED INTERVALS TO MAINTAIN AN EVEN AIR GAP TO THE OUTER FLEX PIPE. THIS GAP IS REQUIRED FOR SAFE OPERATION. A SPACER IS REQUIRED AT THE START, MIDDLE AND END OF EACH ELBOW TO ENSURE THIS GAP IS MAINTAINED. THESE SPACERS MUST NOT BE REMOVED.



For safe and proper operation of the appliance, follow the venting instructions exactly.

All inner flex pipe and outer flex pipe joints may be sealed using high temperature sealant W573-0002 (not supplied) or the high temperature sealant W573-0007 Mill Pac (not supplied). However, the high temperature sealant W573-0007 Mill Pac (not supplied) must be used on the joint connecting the inner flex pipe and the exhaust flue collar.

Use only approved flexible vent pipe kits marked:

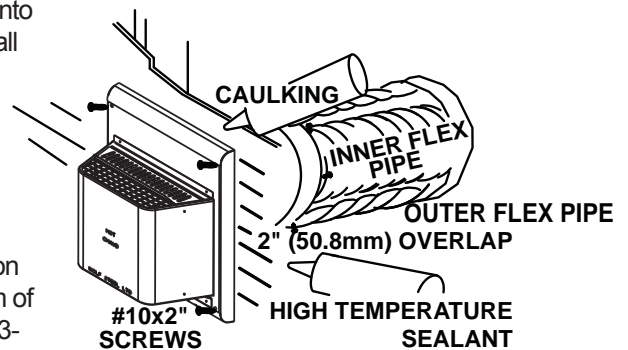


“Wolf Steel Approved Venting” as identified by the stamp only on the outer flex pipe.

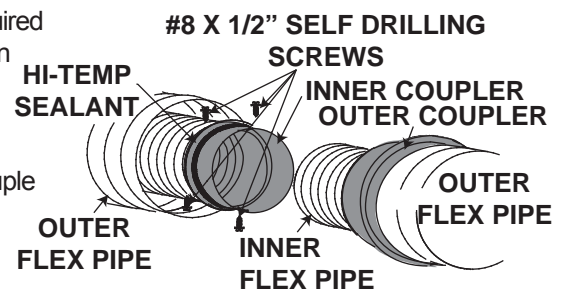
22.1

4.2.1 HORIZONTAL AIR TERMINAL INSTALLATION

- A. Stretch the inner flex pipe to the required length taking into account the additional length needed for the finished wall surface. Apply a heavy bead of the high temperature sealant W573-0007 Mill Pac (not supplied) to the inner sleeve of the air terminal. Slip the vent pipe a minimum of 2" (50.8mm) over the inner sleeve of the air terminal and secure with a minimum of 3 #8 screws.
- B. Using the outer flex pipe, slide over the outer combustion air sleeve of the air terminal and secure with a minimum of 3 #8 screws. Seal using high temperature sealant W573-0002 (not supplied).



- C. Insert the vent pipes through the firestop maintaining the required clearance to combustibles. Holding the air terminal (lettering in an upright, readable position), secure to the exterior wall and make weather tight by sealing with caulking (not supplied).
- D. If more vent pipe needs to be used to reach the fireplace, couple them together as illustrated. The vent system must be supported approximately every 3 feet (0.9m) for both vertical and horizontal runs. Use noncombustible strapping to maintain the minimum clearance to combustibles.



The air terminal mounting plate may be recessed into the exterior wall or siding no greater than the depth of its return flange.

23.1C

4.2.2 VERTICAL AIR TERMINAL INSTALLATION

! WARNING**MAINTAIN A MINIMUM 2" (51mm) SPACE BETWEEN THE AIR INLET BASE AND THE STORM COLLAR.**

A. Fasten the roof support to the roof using the screws provided. The roof support is optional. In this case the venting is to be adequately supported using either an alternate method suitable to the authority having jurisdiction or the optional roof support.

B. Stretch the inner flex pipe to the required length. Slip the inner flex pipe a minimum of 2" (51mm) over the inner pipe of the air terminal connector and secure with a minimum of 3 #8 screws. Seal using a heavy bead of high temperature sealant W573-0007 (not supplied).

C. Repeat using the outer flex pipe, using a heavy bead of high temperature sealant W573-0002 (not supplied) and a minimum of 3 #8 screws.

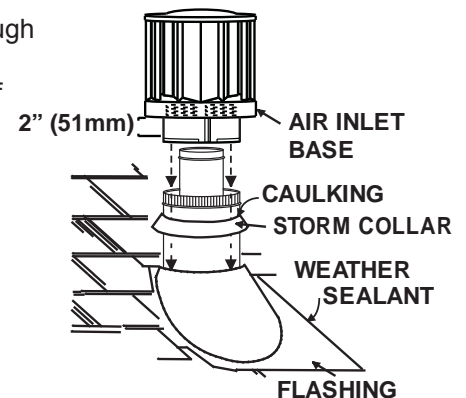
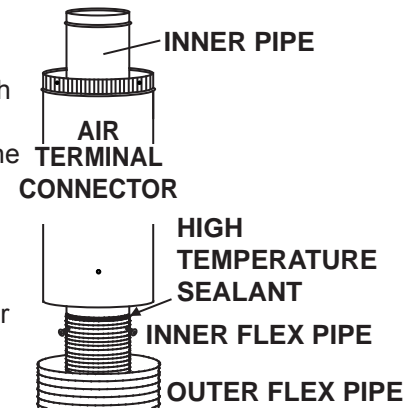
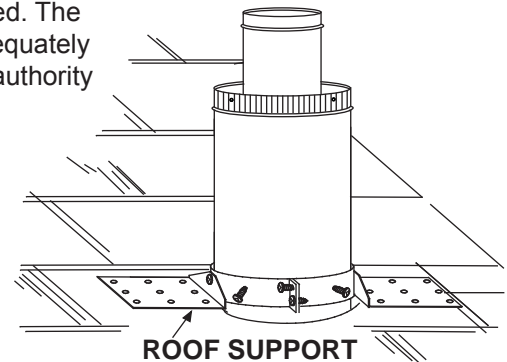
D. Thread the air terminal connector / vent pipe assembly down through the roof. The air terminal must be positioned vertically and plumb. Attach the air terminal connector to the roof support, ensuring that the top of the air terminal is 16" (406mm) above the highest point that it penetrates the roof.

E. Remove nails from the shingles, above and to the sides of the air terminal connector. Place the flashing over the air terminal connector leaving a min. 3/4" (19mm) of the air terminal connector showing above the top of the flashing. Slide the flashing underneath the sides and upper edge of the shingles. Ensure that the air terminal connector is properly centred within the flashing, giving a 3/4" (19mm) margin all around. Fasten to the roof. Do not nail through the lower portion of the flashing. Make weather-tight by sealing with caulking. Where possible, cover the sides and top edges of the flashing with roofing material.

F. Aligning the seams of the terminal and air terminal connector, place the terminal over the air terminal connector making sure the vent pipe goes into the hole in the terminal. Secure with the three screws provided.

G. Apply a heavy bead of weatherproof caulking 2" (51mm) above the flashing. Install the storm collar around the air terminal and slide down to the caulking. Tighten to ensure that a weather-tight seal between the air terminal and the collar is achieved.

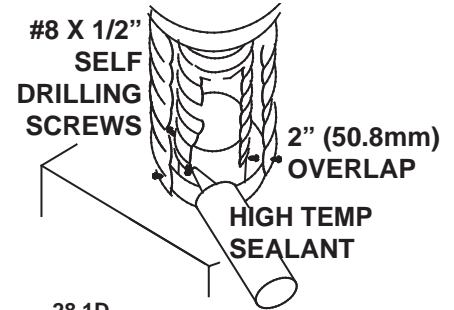
H. If more vent pipe needs to be used to reach the appliance see "HORIZONTAL AIR TERMINAL INSTALLATION" section.



24.1B

4.2.3 APPLIANCE VENT CONNECTION

- A. Install the inner exhaust flue collar to the appliance. Secure with a minimum of 3 #8 screws. Seal the joint and screw holes using the high temperature sealant Mill-Pac W573-0007 (not supplied).
- B. Install the outer flex pipe to the appliance. Attach and seal the joints using a high temperature sealant and a minimum of 3 #8 screws.



28.1D

4.3 USING RIGID VENT COMPONENTS

The vent system must be supported approximately every 3 feet (0.9m) for both vertical and horizontal runs. Use Wolf Steel Ltd. support ring assembly or equivalent noncombustible strapping to maintain the minimum clearance to combustibles for both vertical and horizontal runs.

All inner exhaust and outer intake vent pipe joints may be sealed using either red high temperature silicone sealant W573-0002 (not supplied) or black high temperature sealant W573-0007 Mill Pac (not supplied) with the exception of the appliance exhaust flue collar which must be sealed using Mill Pac.

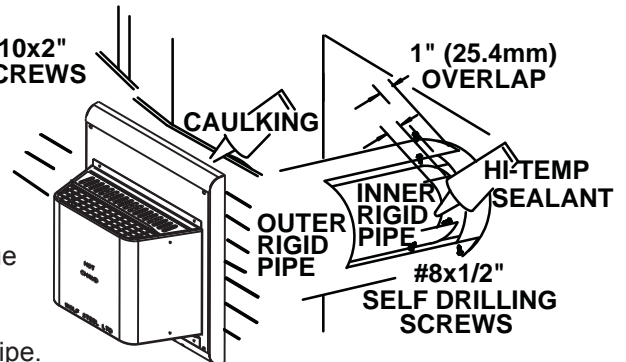
25.1A

4.3.1 HORIZONTAL AIR TERMINAL INSTALLATION

! WARNING

RISK OF FIRE, DO NOT ALLOW LOOSE MATERIALS OR INSULATION TO TOUCH THE VENT PIPE. REMOVE INSULATION TO ALLOW FOR THE INSTALLATION OF THE ATTIC SHIELD AND TO MAINTAIN CLEARANCES TO COMBUSTIBLES.

- A. Move the appliance into position. Measure the vent length required between terminal and appliance taking into account the additional length needed for the finished wall surface and any 1/4" (31.8mm) overlaps between venting components.
- B. Apply high temperature sealant W573-0007 (not supplied) to the outer edge of the inner exhaust flue collar of the appliance. Attach the first inner rigid pipe component and secure using a minimum of 3 self tapping screws. Repeat using the outer rigid pipe.
- C. Insert the vent pipes through the firestop maintaining the required clearance to combustibles. Holding the air terminal (lettering in an upright, readable position), secure to the exterior wall and make weather tight by sealing with caulking (not supplied).

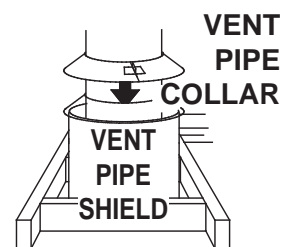
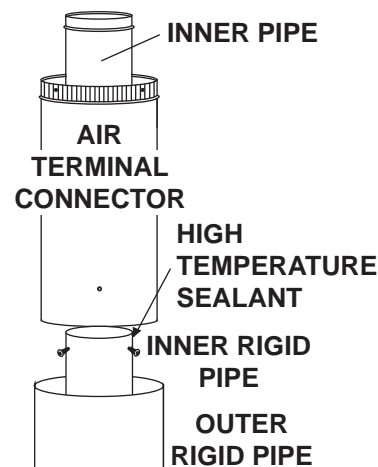


The air terminal mounting plate may be recessed into the exterior wall or siding no greater than the depth of the return flange.

26.1A

4.3.2 VERTICAL AIR TERMINAL INSTALLATION

- A. Move the appliance into position.
- B. Fasten the roof support to the roof using the screws provided. The roof support is optional. In this case the venting is to be adequately supported using either an alternate method suitable to the authority having jurisdiction or the optional roof support.
- C. Apply high temperature sealant (not supplied) to the outer edge of the inner sleeve of the air terminal. Slip the inner coupler a minimum of 2" (51mm) over the sleeve and secure using a minimum of 3 screws.
- D. Apply high temperature sealant (not supplied) to the outer edge of the outside sleeve of the air terminal connector. Slip the outer coupler over the sleeve and secure as before. Trim the outer coupler even with the inner coupler end.
- E. Thread the air terminal connector / vent pipe assembly down through the roof support and attach, ensuring that a minimum 16" (406mm) of air terminal connector will penetrate the roof when fastened. If the attic space is tight, we recommend threading the Wolf Steel vent pipe collar or equivalent loosely onto the air terminal connector / vent pipe assembly as it is passed through the attic. The air terminal connector must be located vertically and plumb.
- F. Remove nails from the shingles, above and to the sides of the air terminal connector. Place the flashing over the air terminal connector and slide it underneath the sides and upper edge of the shingles. Ensure that the air terminal connector is properly centered within the flashing, giving a 3/4" (19mm) margin all around. Fasten to the roof. Do NOT nail through the lower portion of the flashing. Make weather-tight by sealing with caulking. Where possible, cover the sides and top edges of the flashing with roofing material.
- G. Apply a heavy bead of waterproof caulking 2" (51mm) above the flashing. Install the storm collar around the air terminal and slide down to the caulking. Tighten to ensure that a weather-tight seal between the air terminal connector and the collar is achieved.
- H. Continue adding rigid venting sections, sealing and securing as above. Attach the inner collapsed telescopic sleeve to the last section of rigid piping. Secure with screws and seal. Repeat using the outer telescopic sleeve.
- I. Run a bead of high temperature sealant (not supplied) around the outside of the inner exhaust flue collar on the appliance. Pull the telescopic sleeve a minimum of 2" (51mm) onto the collar. Secure with a minimum of 3 screws. Repeat with the outer telescopic sleeve.
- J. In the attic, slide the vent pipe collar down to cover up the open end of the shield and tighten. This will prevent any materials, such as insulation, from filling up the 1" (25mm) air space around the pipe.



27.2A

4.3.3 RESTRICTING VERTICAL VENTS

Vertical installations may display a very active flame. If this appearance is not desirable, the vent exit may be restricted using a restrictor vent kit (the appropriate kit has been supplied). This will reduce the velocity of the exhaust gases, slowing down the flame pattern and creating a more traditional gentle flame appearance. Specific instructions are included with the kit.

77.4

4.4 VERTICAL THROUGH EXISTING CHIMNEY

EN

! WARNING**RISK OF FIRE!**

CO-AXIAL TO CO-LINEAR VENTING CONFIGURATIONS MUST ONLY BE USED IN A NON-COMBUSTIBLE CHIMNEY OR ENCLOSURE. INSTALLATION IN A COMBUSTIBLE ENCLOSURE COULD RESULT IN A FIRE.

This appliance is designed to be attached to a 3" (76.2mm) co-linear aluminum flex vent system running the full length of a masonry chimney.

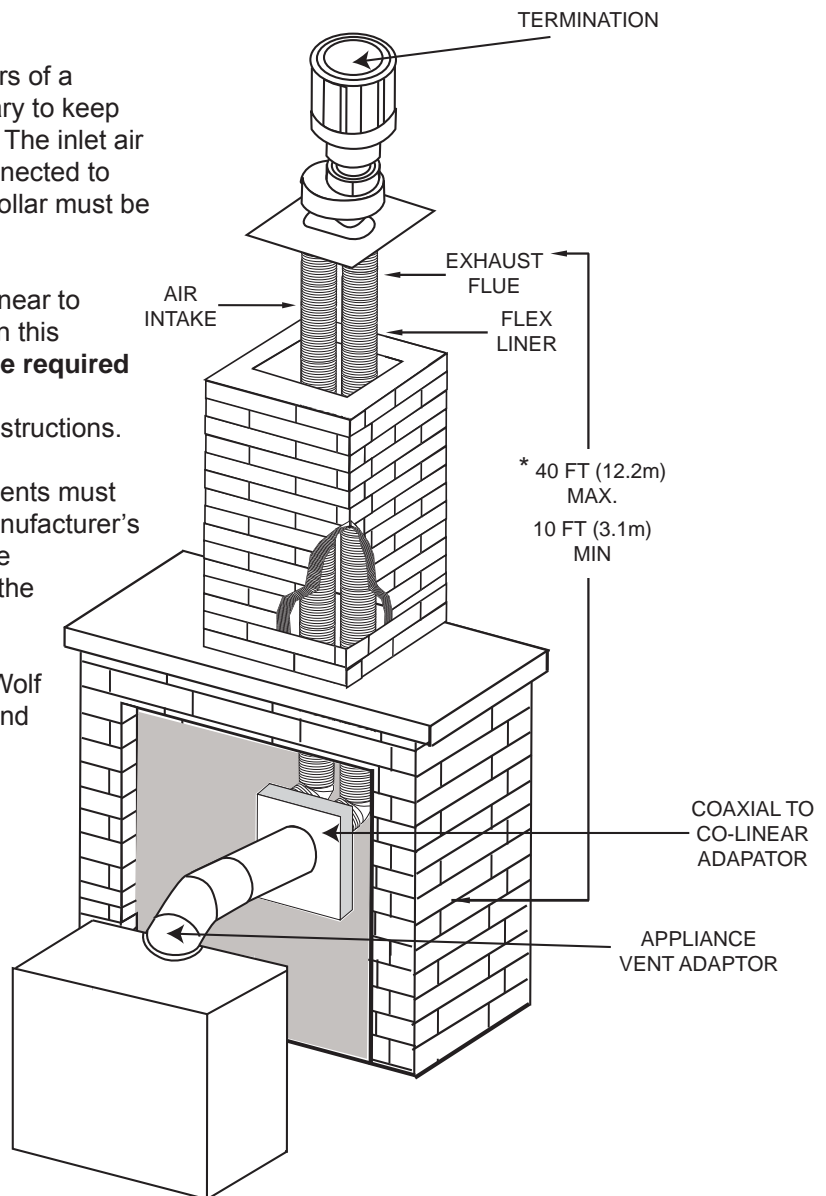
The flex liners accommodate any contours of a masonry chimney, however, it is necessary to keep the flexible liners as straight as possible. The inlet air collar of the termination cap must be connected to the air intake flex liner and the exhaust collar must be connected to the exhaust flexible liner.

Both Simpson Duravent and Selkirk co-linear to co-axial adaptors have been approved on this appliance (**NOTE: A vent adaptor will be required directly off the appliance**).

Follow vent manufacturer's installation instructions.

Different manufacturer's venting components must not be combined. Once the preferred manufacturer's appliance adaptor has been attached, the remainder of the system must be that of the same manufacturer.

The only exception to this rule is to use Wolf Steel's approved 3" (76.2mm) flex liner and co-linear termination.



7.6A

4.5 MOBILE HOME INSTALLATION

This Mobile/Manufactured Home Listed appliance comes factory equipped with a means to secure the unit. Built in appliances are equipped with 1/4" diameter holes located in the front left and right corners of the base. Use #10 hex head screws, inserted through the holes in the base to secure. For free standing products contact your local authorized dealer / distributor for the appropriate securing kit. For mobile home installations, the appliance must be fastened in place. It is recommended that the appliance be secured in all installations. Always turn off the pilot and the fuel supply at the source, prior to moving the mobile home. After moving the mobile home and prior to lighting the appliance, ensure that the logs are positioned correctly.

This appliance is certified to be installed in an aftermarket permanently located, manufactured (mobile) home, where not prohibited by local codes.

This appliance is only for use with the type of gas indicated on the rating plate. This appliance is not convertible for use with other gases, unless a certified kit is used.

Conversion Kits

This appliance is field convertible between Natural Gas (NG) and Propane (LP).

To convert from one gas to another consult your Authorized dealer/distributor.

29.6

4.6 GAS INSTALLATION

! WARNING

RISK OF FIRE, EXPLOSION OR ASPHYXIATION. ENSURE THERE ARE NO IGNITION SOURCES SUCH AS SPARKS OR OPEN FLAMES.

SUPPORT GAS CONTROL WHEN ATTACHING GAS SUPPLY PIPE TO PREVENT DAMAGING GAS LINE.

ALWAYS LIGHT THE PILOT WHETHER FOR THE FIRST TIME OR IF THE GAS SUPPLY HAS RUN OUT WITH THE GLASS DOOR OPENED OR REMOVED. PURGING OF THE GAS SUPPLY LINE SHOULD BE PERFORMED BY A QUALIFIED SERVICE TECHNICIAN. ASSURE THAT A CONTINUOUS GAS FLOW IS AT THE BURNER BEFORE CLOSING THE DOOR. ENSURE ADEQUATE VENTILATION. FOR GAS AND ELECTRICAL LOCATIONS, SEE "DIMENSION" SECTION.

ALL GAS CONNECTIONS MUST BE CONTAINED WITHIN THE APPLIANCE WHEN COMPLETE.

HIGH PRESSURE WILL DAMAGE VALVE. DISCONNECT GAS SUPPLY PIPING BEFORE TESTING GAS LINE AT TEST PRESSURES ABOVE 1/2 PSIG.

VALVE SETTINGS HAVE BEEN FACTORY SET, DO NOT CHANGE.

Installation and servicing to be done by a qualified installer.

- Move the appliance into position and secure.
- If equipped with a flex connector the appliance is designed to accept a 1/2" (13mm) gas supply. Without the connector it is designed to accept a 3/8" (9.5mm) gas supply. The appliance is equipped with a manual shut off valve to turn off the gas supply to the appliance.
- Connect the gas supply in accordance to local codes. In the absence of local codes, install to the current CAN/CSA-B149.1 Installation Code in Canada or to the current National Fuel Gas Code, ANSI Z223.1 / NFPA 54 in the United States.
- When flexing any gas line, support the gas valve so that the lines are not bent or kinked.
- The gas line flex-connector should be installed to provide sufficient movement for shifting the burner assembly on its side to aid with servicing components.
- Check for gas leaks by brushing on a soap and water solution. **Do not use open flame.**

30.1A

4.7 OPTIONAL WALL SWITCH

! WARNING

DO NOT CONNECT EITHER THE WALL SWITCH, THERMOSTAT OR GAS VALVE DIRECTLY TO 110 VOLT ELECTRICITY.

For ease of accessibility, an optional remote wall switch or millivolt thermostat may be installed in a convenient location. Route a 2 strand, solid core millivolt wire from the valve to the wall switch or millivolt thermostat. The recommended maximum lead length depends on wire size:

WIRE SIZE	MAX. LENGTH
14 gauge (1.8mm)	100 feet (30.5m)
16 gauge (1.5mm)	60 feet (18.3m)
18 gauge (1.2mm)	40 feet (12.2m)

* Refer to "WIRING DIAGRAM"

50.6

5.0 FRAMING

! WARNING
RISK OF FIRE!
IN ORDER TO AVOID THE POSSIBILITY OF EXPOSED INSULATION OR VAPOUR BARRIER COMING IN CONTACT WITH THE APPLIANCE BODY, IT IS RECOMMENDED THAT THE WALLS OF THE APPLIANCE ENCLOSURE BE "FINISHED" (IE: DRYWALL / SHEETROCK), AS YOU WOULD FINISH ANY OTHER OUTSIDE WALL OF A HOME. THIS WILL ENSURE THAT CLEARANCE TO COMBUSTIBLES IS MAINTAINED WITHIN THE CAVITY.
DO NOT NOTCH THE FRAMING AROUND THE APPLIANCE STAND-OFFS. FAILURE TO MAINTAIN AIR SPACE CLEARANCE MAY CAUSE OVER HEATING AND FIRE. PREVENT CONTACT WITH SAGGING OR LOOSE INSULATION OR FRAMING AND OTHER COMBUSTIBLE MATERIALS. BLOCK OPENING INTO THE CHASE TO PREVENT ENTRY OF BLOWN-IN INSULATION. MAKE SURE INSULATION AND OTHER MATERIALS ARE SECURED.
WHEN CONSTRUCTING THE ENCLOSURE ALLOW FOR FINISHING MATERIAL THICKNESS TO MAINTAIN CLEARANCES. FRAMING OR FINISHING MATERIAL CLOSER THAN THE MINIMUMS LISTED MUST BE CONSTRUCTED ENTIRELY OF NON-COMBUSTIBLE MATERIALS. MATERIALS CONSISTING ENTIRELY OF STEEL, IRON, BRICK, TILE, CONCRETE, SLATE, GLASS OR PLASTERS, OR ANY COMBINATION THEREOF ARE SUITABLE. MATERIALS THAT ARE REPORTED AS PASSING ASTM E 136, STANDARD TEST METHOD FOR BEHAVIOUR OF MATERIALS IN A VERTICAL TUBE FURNACE AT 1382° F (750°C) AND UL763 SHALL BE CONSIDERED NON-COMBUSTIBLE MATERIALS.
MINIMUM CLEARANCE TO COMBUSTIBLES MUST BE MAINTAINED OR A SERIOUS FIRE HAZARD COULD RESULT.
THE APPLIANCE REQUIRES A MINIMUM ENCLOSURE HEIGHT. MEASURE FROM THE APPLIANCE BASE.
IF STEEL STUD FRAMING KITS WITH CEMENT BOARD ARE PROVIDED, OR SPECIFIED IN THE INSTALLATION INSTRUCTIONS. THEY MUST BE INSTALLED.
FINISHING MUST BE DONE USING A NON-COMBUSTIBLE MATERIAL EXTENDING FROM THE TOP OF THE APPLIANCE SUCH AS NON-COMBUSTIBLE BOARD, CERAMIC TILE, MARBLE, ETC. DO <u>NOT</u> USE WOOD OR DRYWALL. ANY FIRE RATED DRYWALL IS NOT ACCEPTABLE.

71.1B

It is best to frame your appliance after it is positioned and the vent system is installed. Frame to local building codes.

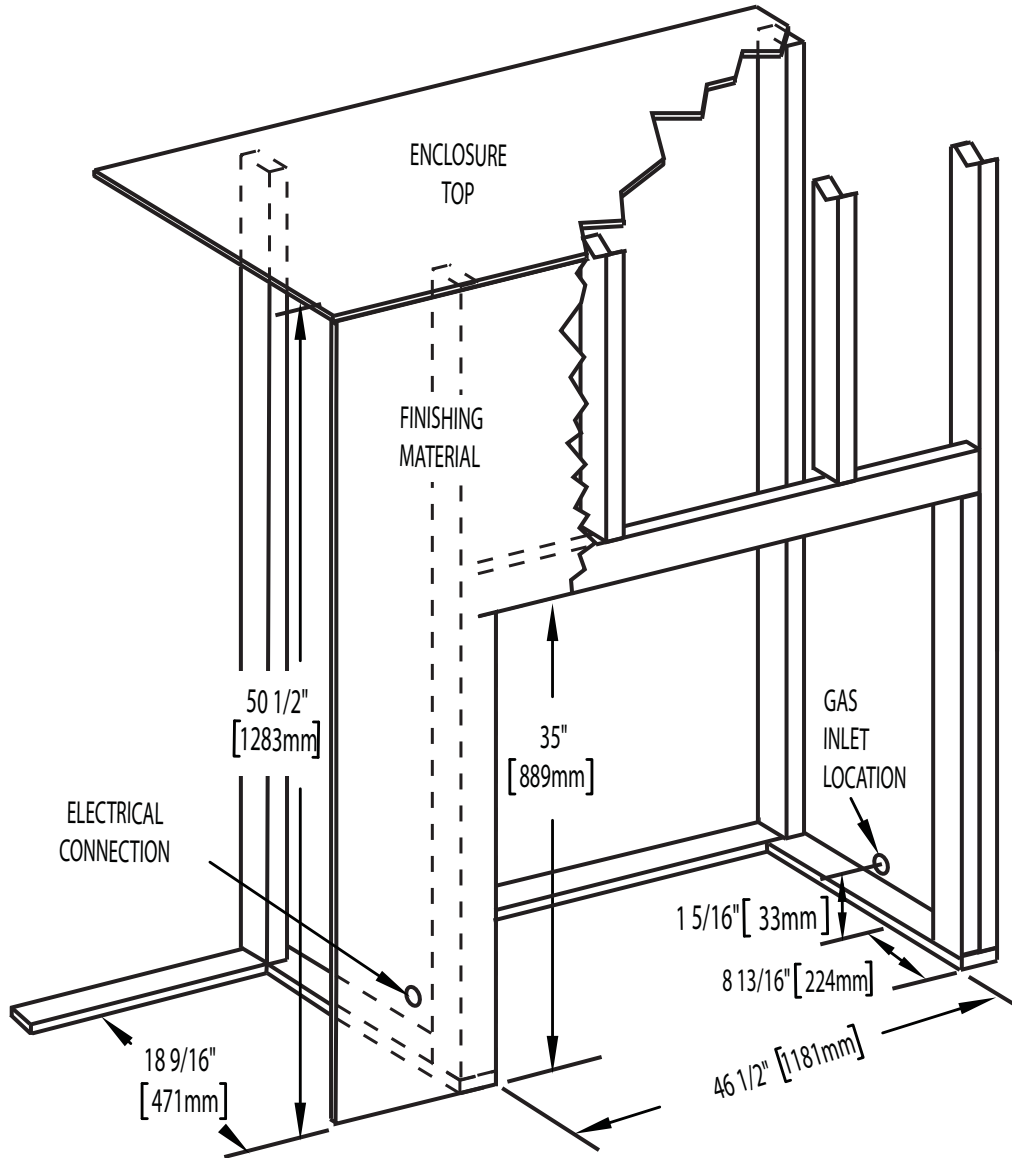
It is not necessary to install a hearth extension with this appliance.

When roughing in the appliance, raise the appliance to accommodate for the thickness of the finished floor materials, i.e. tile, carpeting, hard wood, which if not planned for will interfere with the opening of the lower access door and the installation of many decorative flashing accessories.

Combustible materials may be installed flush with the front of the appliance but must not cover any of the black face-areas of the appliance. Non-combustible material (brick, stone or ceramic tile) may protrude in these areas.

5.1 MINIMUM FRAMING DIMENSIONS

EN



Minimum clearance to combustible construction from appliance and vent surfaces:**Combustible Framing:**

- 0" to stand-offs
- 1" (25mm) to bottom and sides of the vent pipe*
- 3" (76mm) to top of the vent pipe*

Combustible Finishing:

- 0" to rear
- 0" to front face top and sides

Top Exit

- 50 1/2" (1283mm) to combustible enclosure top from base of the appliance
- 54" (1372mm) to ceiling from base of the appliance

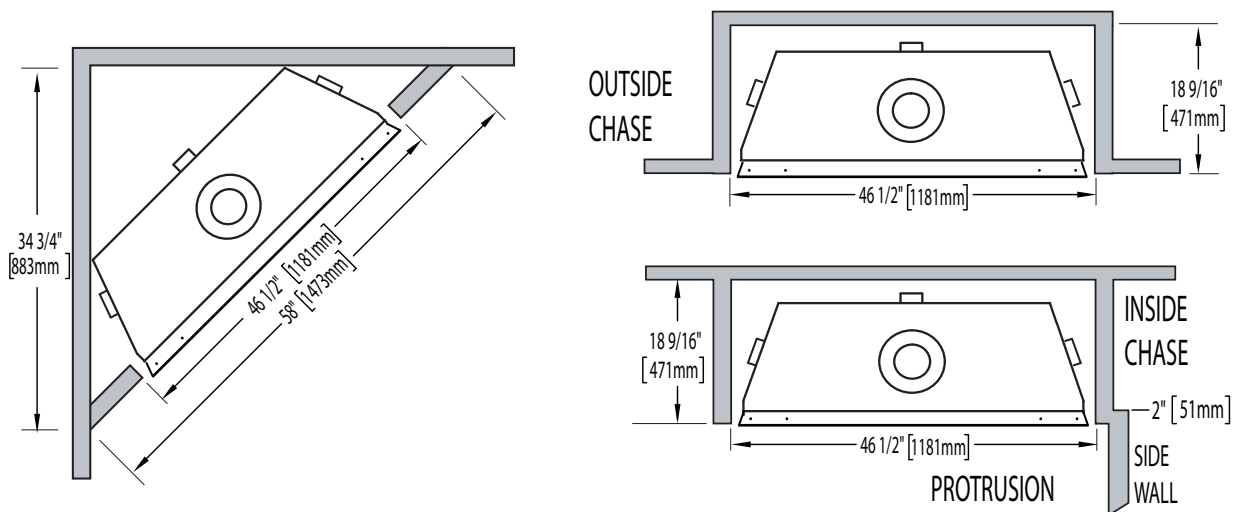
Rear Exit

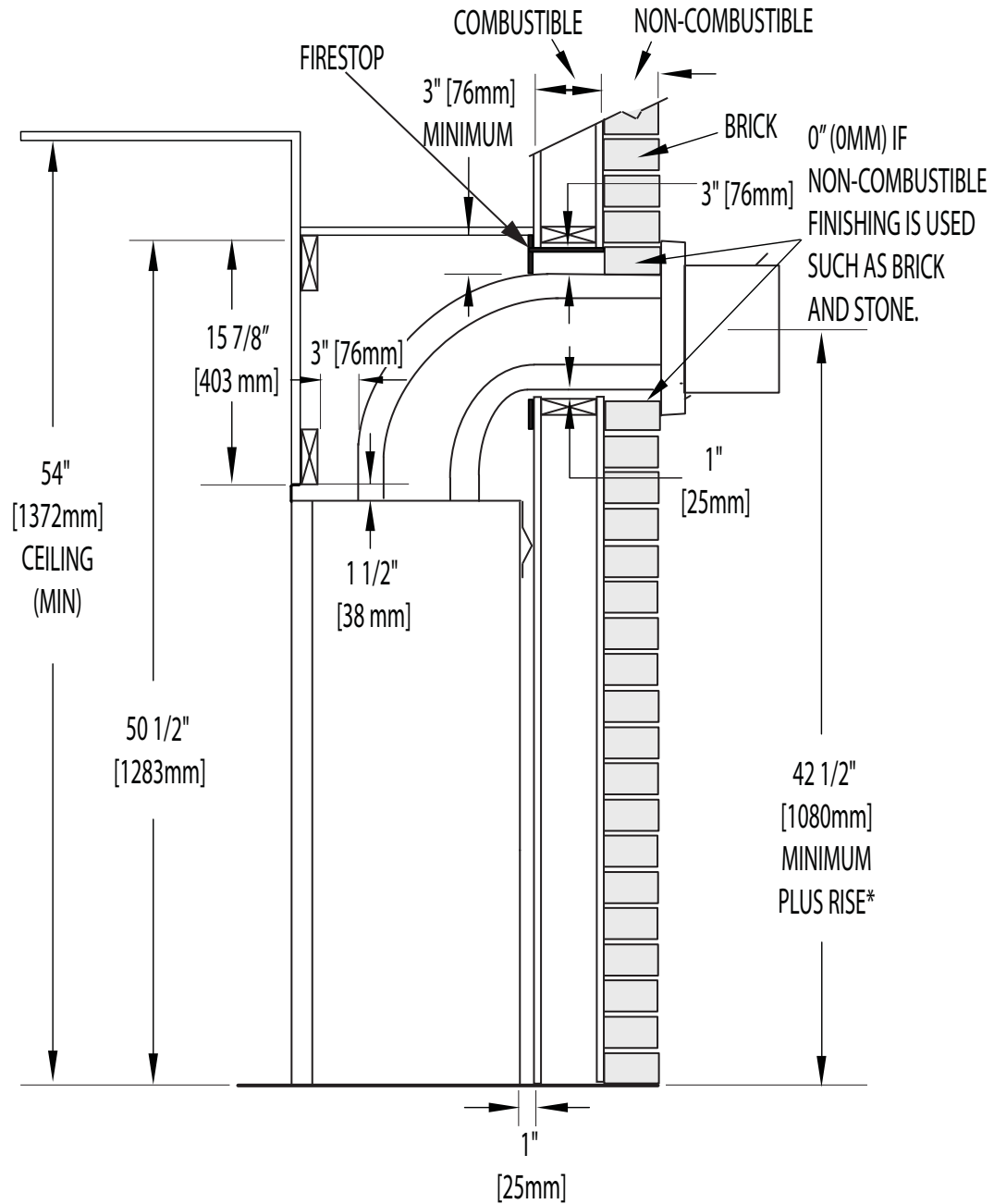
- 36" (914mm) to combustible enclosure top from base of the appliance
- 54" (1372mm) to ceiling from base of the appliance

* **HORIZONTAL VENT SECTIONS:** A minimum of 1" (25mm) at the bottom and sides and 3" (76mm) at the top of the vent pipe on all horizontal runs to combustibles is required. Use firestop spacer W010-1774 (supplied).

NOTE: The minimum clearances from the top of the horizontal vent pipe to combustible materials may be reduced from 3" (76mm) to 1" (25mm) in those installations with a minimum 38" (965mm) vertical vent rise made immediately off the fireplace collar.

* **VERTICAL VENT SECTIONS:** A minimum of 1" (25mm) all around the vent pipe on all vertical runs to combustibles is required except for clearances in appliance enclosures. See "MINIMUM ENCLOSURE CLEARANCES" section. Use firestop spacer W500-0096 (not supplied).

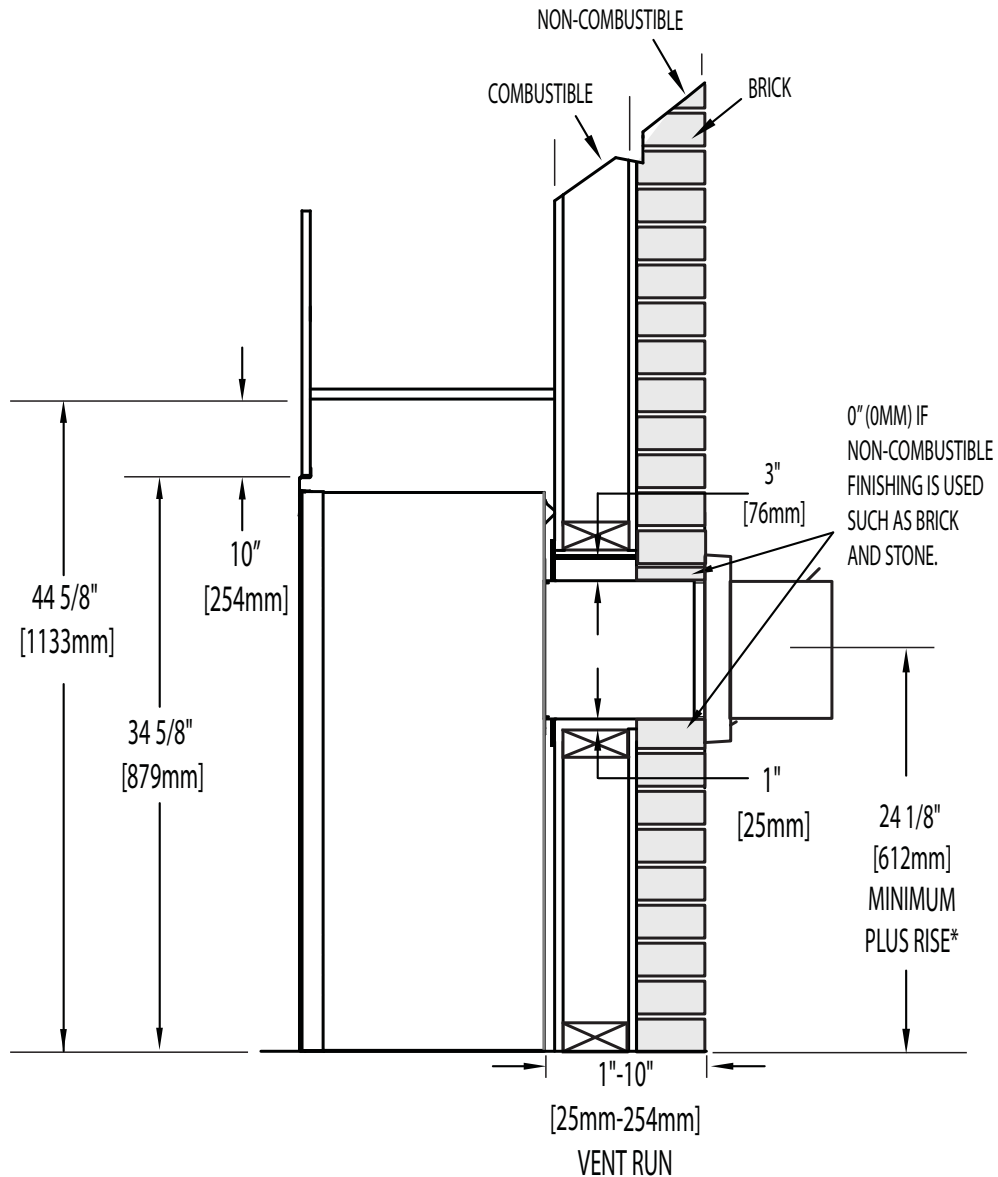


TOP VENT**TOP EXIT ENCLOSURE**

The appliance requires a minimum enclosure height of 50 1/2" (1283mm). For temperature requirements, the enclosure space around and above the appliance must be left unobstructed.

REAR VENT

For rear vent termination not exceeding 10" (254mm) of horizontal vent run.

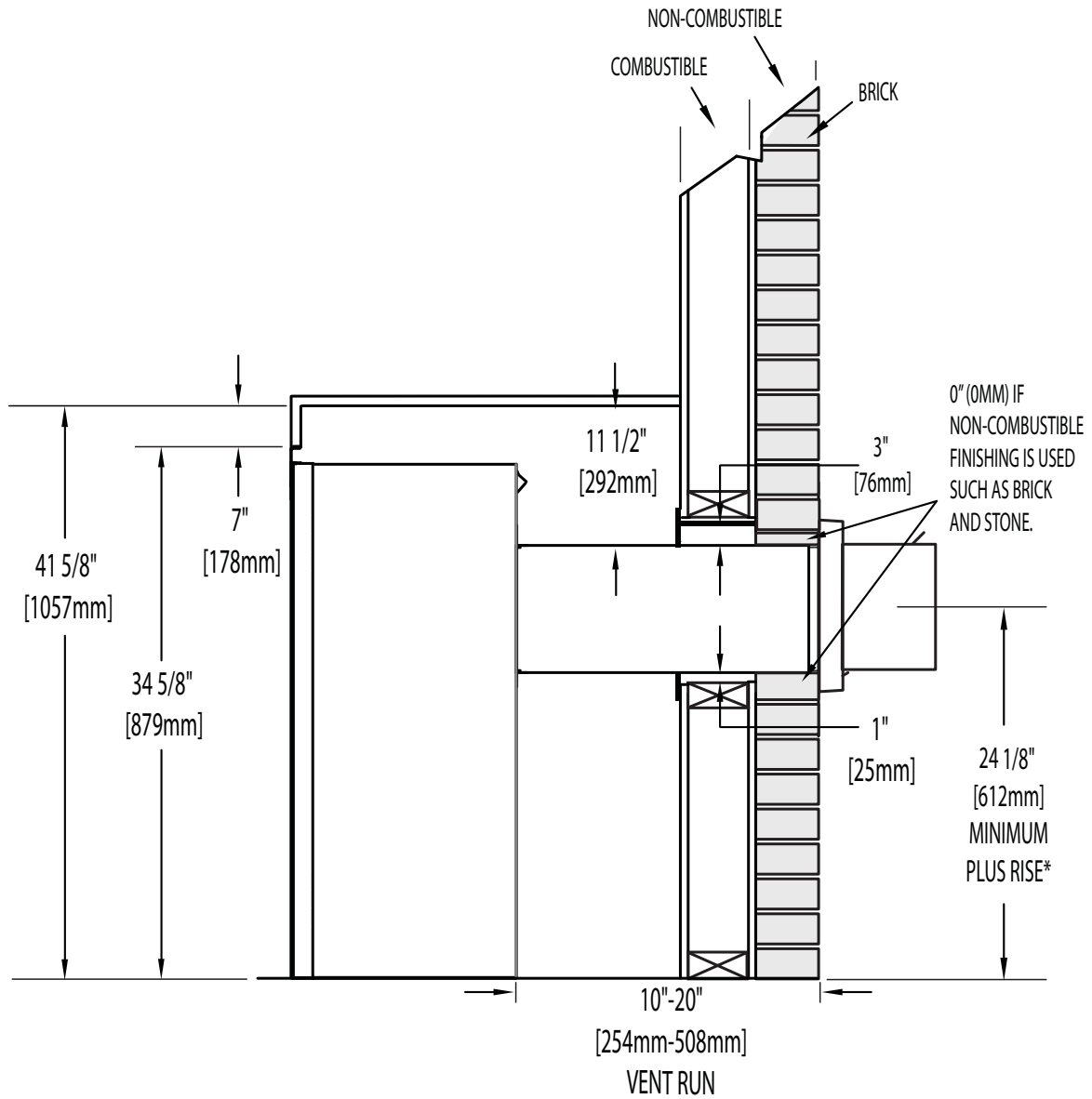


REAR EXIT ENCLOSURE

The appliance requires a minimum enclosure height of 44 5/8" (1133mm). For temperature requirements, the enclosure space around and above the appliance must be left unobstructed.

* See "VENTING" section.

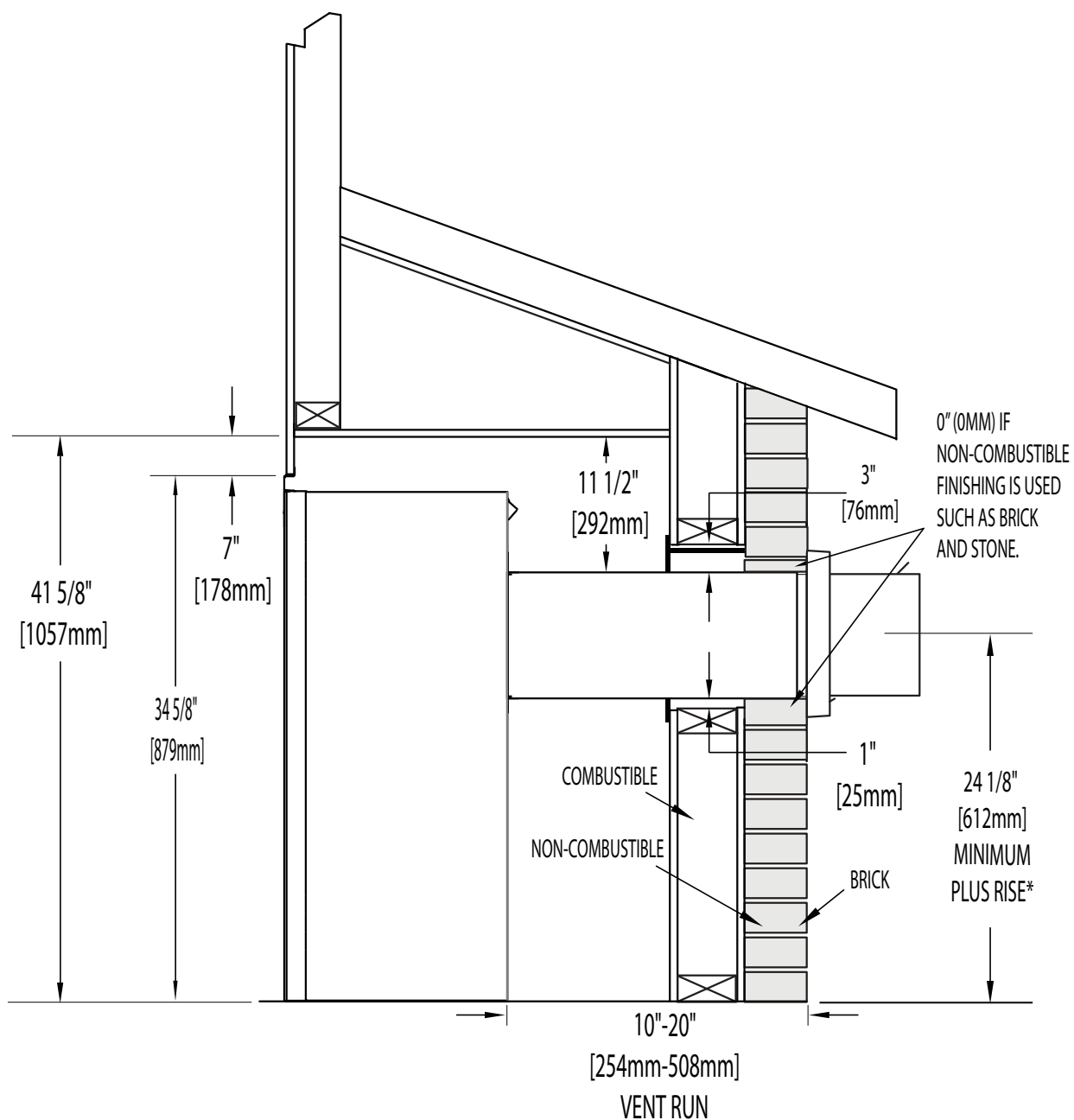
MAXIMUM REAR VENT CLEARANCES (EXAMPLE 1)



REAR EXIT ENCLOSURE

The appliance requires a minimum enclosure height of 41 5/8" (1057mm). For temperature requirements, the enclosure space around and above the appliance must be left unobstructed.

MAXIMUM REAR VENT CLEARANCES (EXAMPLE 2)

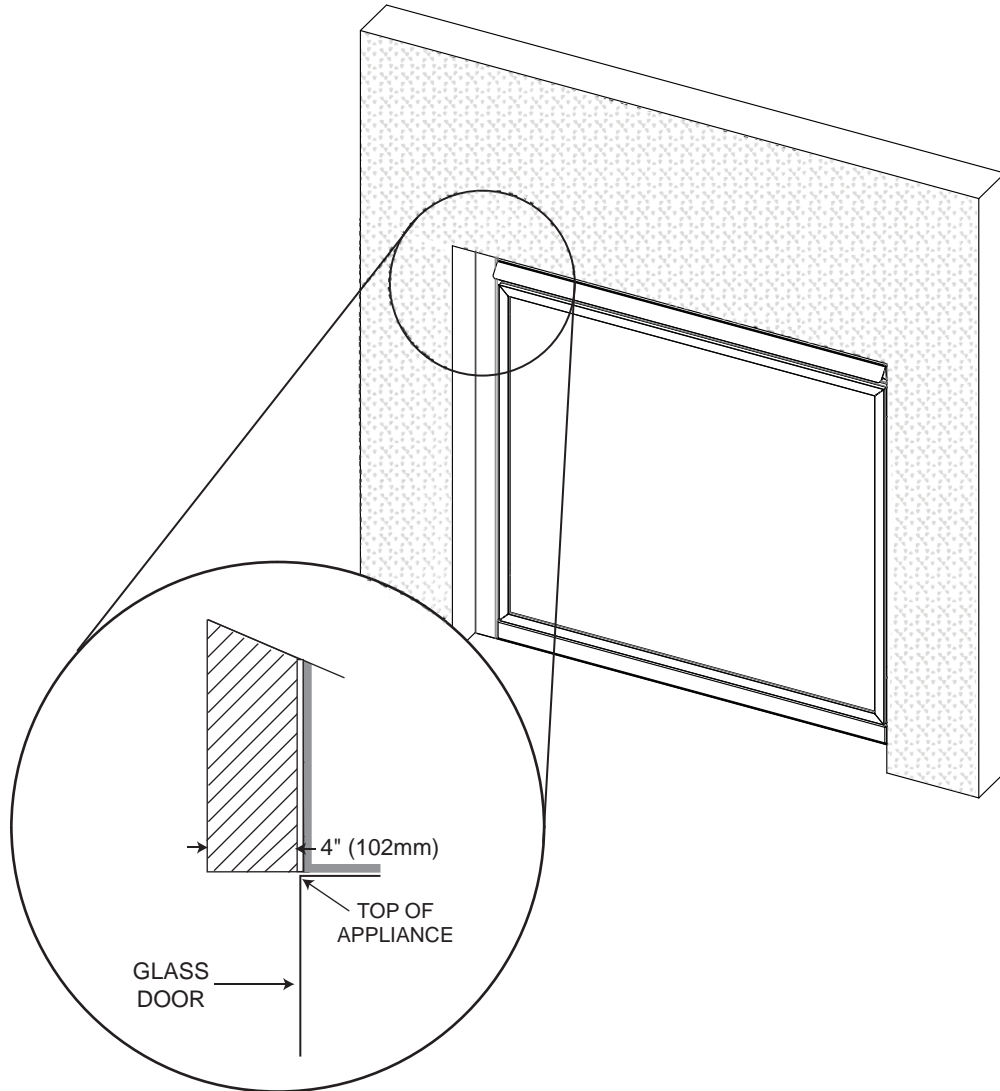


REAR EXIT ENCLOSURE

The appliance requires a minimum enclosure height of 41 5/8" (1057mm). For temperature requirements, the enclosure space around and above the appliance must be left unobstructed.

5.3 NON-COMBUSTIBLE FACING MATERIAL

WARNING: Non-combustible facing material must not project more than 4" (102mm) from the face of the door (all three sides). If greater projections are desired, increase the clearance to the sides and top by 2" (51mm) for every additional 1" (25mm) of projection. If using an optional surround, the same rule applies, starting from the top of the surround. Ensure clearances are maintained for surround removal, as it must lift off the appliance for maintenance.

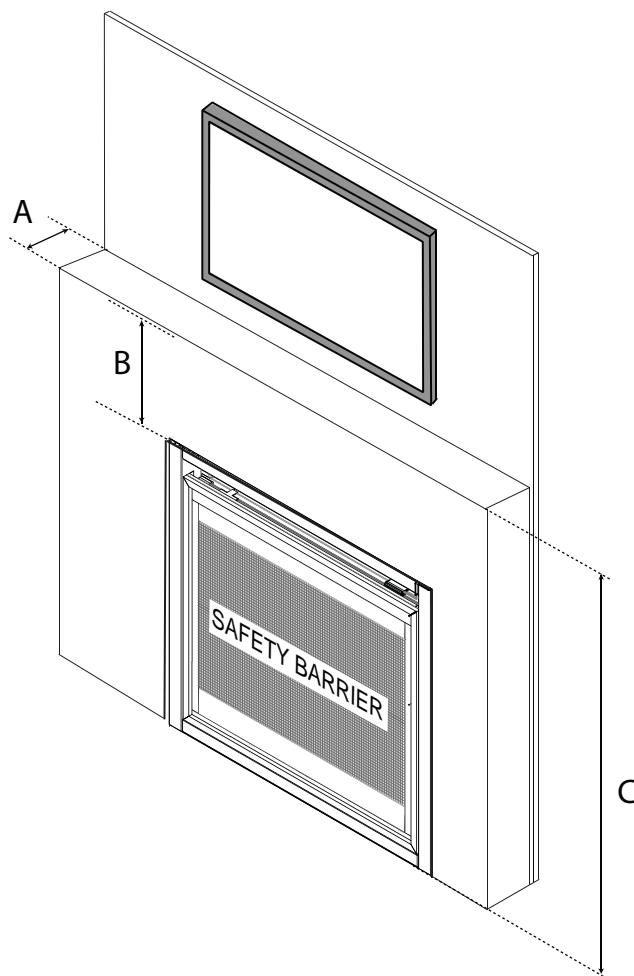


5.4 RECESSED INSTALLATION

! WARNING

INSTALLING A TELEVISION OR OTHER ELECTRONICS ABOVE THE APPLIANCE MAY CAUSE DISCOLOURATION, MELTING OR DAMAGE TO THE ELECTRONICS. USE CLEARANCES AS GUIDELINES AND REFER TO YOUR MANUFACTURER'S INSTRUCTIONS FOR FURTHER INFORMATION.

EN



MINIMUM CLEARANCES CHART	
A	6" (152mm) MAX
B	10" (254mm) MIN
C	41 ⁵ / ₈ " (1057mm) / 44 ⁵ / ₈ " (1133mm)*

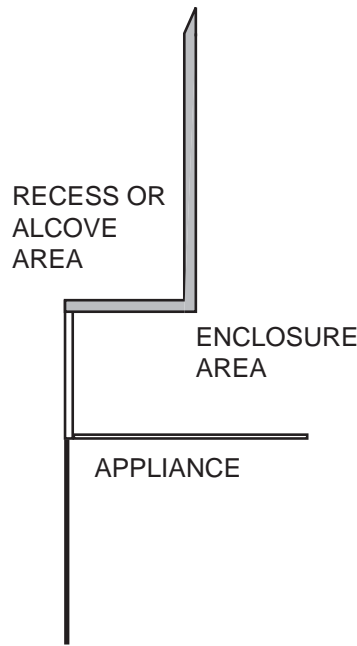
*See "Minimum Enclosure Clearances" section

Before placing anything above a heat source, it is advisable to follow proper clearances and manufacturer's instructions.

- A. Installing a mantel between a heat source will reduce the affect of direct heat on electronics or other materials placed above a mantel. Follow mantel height and depth instructions for proper clearances.
NOTE: Increasing the horizontal length of the mantel will further reduce the intenstiy of heat.
- B. Refer to "MINIMUM MANTEL CLEARANCES" section for more detailed mantel clearance information.

5.5 ALCOVE CLEARANCES

EN



NOTE: Recesses or alcoves above the appliance can be made as deep as desired provided the minimum clearances to combustibles are maintained.

Non-combustible material can be used, provided the minimum clearances to combustible materials are applied.

The minimum enclosure volume must be increased by no less than the volume of the recess. This adjustment can be made by increasing any or all of the height, width and depth of the enclosure.

71.2

5.6 MINIMUM MANTEL CLEARANCES

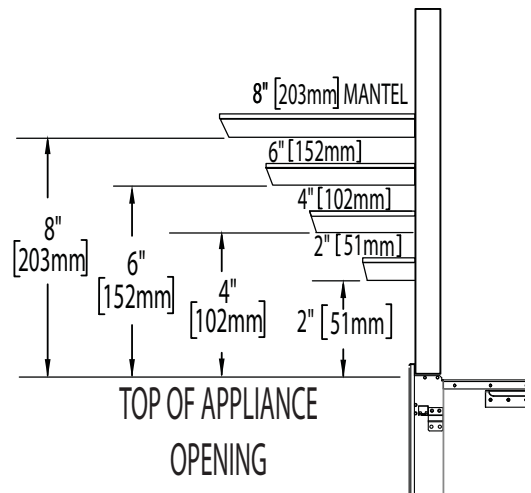
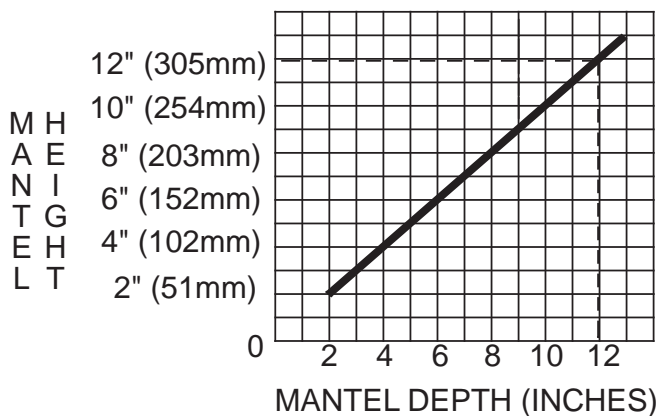
! WARNING

RISK OF FIRE, MAINTAIN ALL SPECIFIED AIR SPACE CLEARANCES TO COMBUSTIBLES. FAILURE TO COMPLY WITH THESE INSTRUCTIONS MAY CAUSE A FIRE OR CAUSE THE APPLIANCE TO OVERHEAT. ENSURE ALL CLEARANCES (I.E. BACK, SIDE, TOP, VENT, MANTEL, FRONT, ETC.) ARE CLEARLY MAINTAINED.

WHEN USING PAINT OR LACQUER TO FINISH THE MANTEL, THE PAINT OR LACQUER MUST BE HEAT RESISTANT TO PREVENT DISCOLOURATION.

73.1

Combustible mantel clearance can vary according to the mantel depth. Use the graph to help evaluate the clearance needed. These same requirements apply to any combustibles protruding on either side of the appliance.



6.0 FINISHING

! WARNING
RISK OF FIRE!
NEVER OBSTRUCT THE FRONT OPENING OF THE APPLIANCE.
THE FRONT OF THE APPLIANCE MUST BE FINISHED WITH ANY NON-COMBUSTIBLE MATERIALS SUCH AS BRICK, MARBLE, GRANITE, ETC., PROVIDED THAT THESE MATERIALS DO NOT GO BELOW THE SPECIFIED DIMENSION AS ILLUSTRATED.
DO NOT STRIKE, SLAM OR SCRATCH GLASS. DO NOT OPERATE APPLIANCE WITH GLASS REMOVED, CRACKED, BROKEN OR SCRATCHED.
FACING AND/OR FINISHING MATERIAL MUST NEVER OVERHANG INTO THE APPLIANCE OPENING.

72.1A

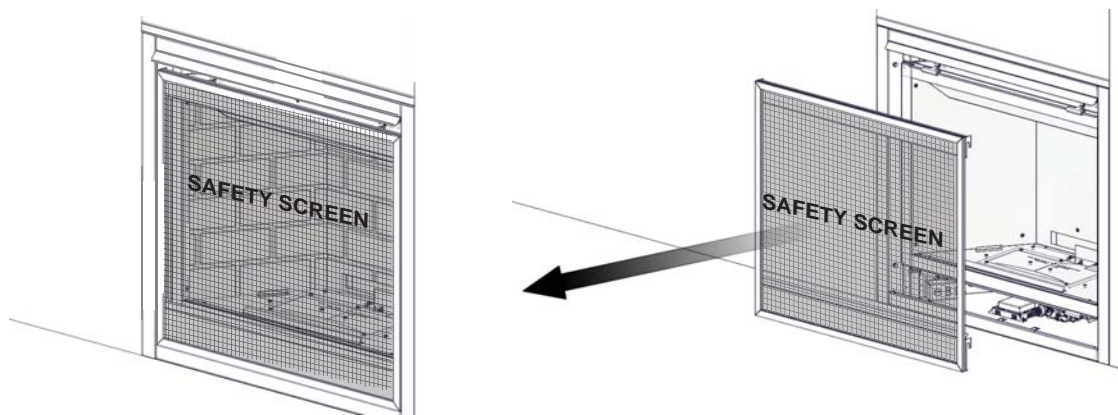
6.1 SAFETY SCREEN / DOOR REMOVAL AND INSTALLATION

! WARNING
GLASS MAY BE HOT, DO NOT TOUCH GLASS UNTIL COOLED.
THE DOOR LATCHES ARE PART OF A SAFETY RELIEF SYSTEM AND MUST BE PROPERLY ENGAGED. DO NOT OPERATE THE APPLIANCE WITH LATCHES DISENGAGED.
FACING AND/OR FINISHING MATERIALS MUST NOT INTERFERE WITH AIR FLOW THROUGH AIR OPENINGS, LOUVRES OPENINGS, OPERATION OF LOUVRES OR DOORS OR ACCESS FOR SERVICE. OBSERVE ALL CLEARANCES WHEN APPLYING COMBUSTIBLE MATERIALS.
BEFORE DOOR IS REMOVED TURN THE APPLIANCE OFF AND WAIT UNTIL APPLIANCE IS COOL TO THE TOUCH. DOORS ARE HEAVY AND FRAGILE SO HANDLE WITH CARE.

75.1

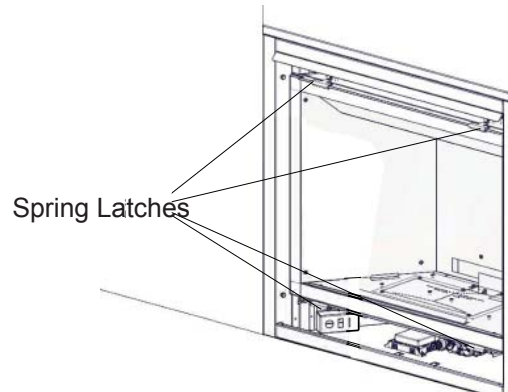
A barrier designed to reduce the risk of burns from the hot viewing glass is provided for the appliance and shall be installed.

Before the glass door can be removed, the safety screen must be removed. Lift the safety screen off the 4 pins, tilt the top forward and remove from the appliance.



Leave a hand on the glass door during entire door removal. The glass door is secured to the firebox with two spring latches along the top and two along the bottom. Pull the handles of the latches forward, then lift the latches out from the door frame to release the top of the door. Repeat the same step for the two bottom latches. Next, pivot the door forward until the top edge clears the front of the appliance. Carefully grip the sides of the door lifting it off the appliance.

NOTE: These spring latches make up the spring relief system for the appliance. Ensure they open freely and close sealed.

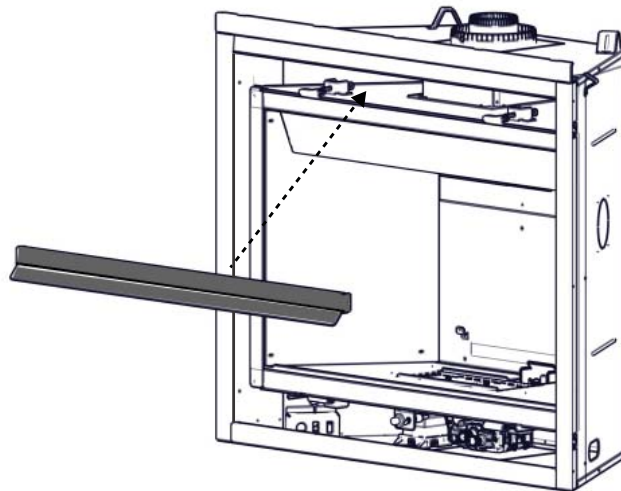
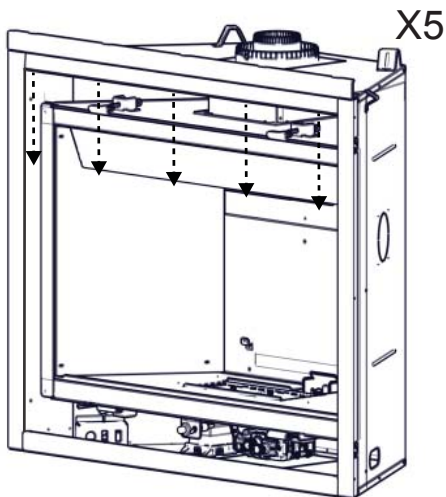


Reverse these steps to reinstall the safety screen and door. Ensure safety screen is installed correctly.

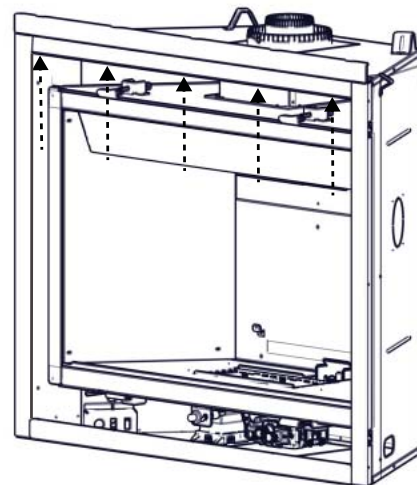
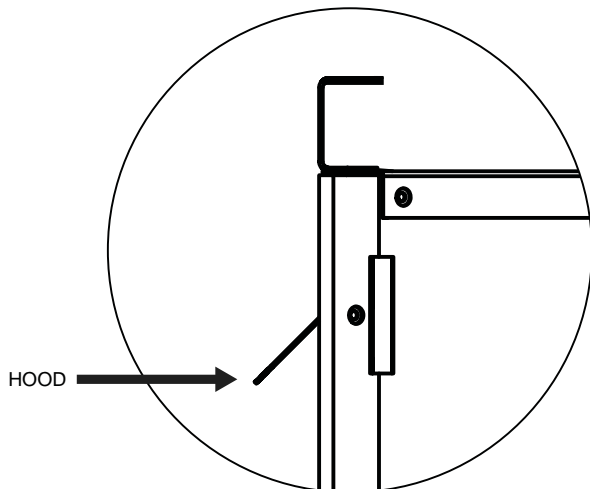
6.2 FRONT HOOD INSTALLATION

NOTE: This hood MUST be installed.

- Safety door and screen must be removed.
- Remove the 5 securing screws from the top of the firebox, as shown.
- Install the front hood, ensure it is angled downward when installed.
- Reinstall the 5 securing screws.



SIDE VIEW



6.3 LOG PLACEMENT

! WARNING

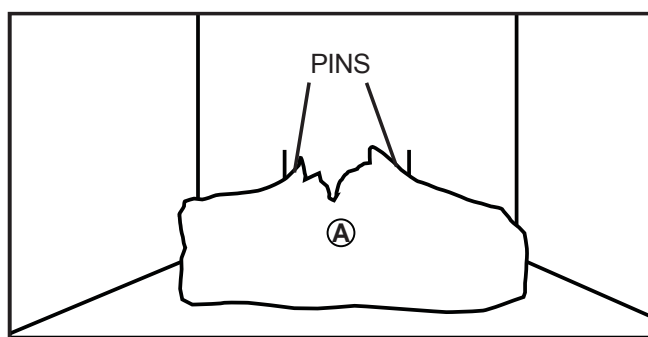
FAILURE TO POSITION THE LOGS IN ACCORDANCE WITH THESE DIAGRAMS OR FAILURE TO USE ONLY LOGS SPECIFICALLY APPROVED WITH THIS APPLIANCE MAY RESULT IN PROPERTY DAMAGE OR PERSONAL INJURY.

LOGS MUST BE PLACED IN THEIR EXACT LOCATION IN THE APPLIANCE. DO NOT MODIFY THE PROPER LOG POSITIONS, SINCE APPLIANCE MAY NOT FUNCTION PROPERLY AND DELAYED IGNITION MAY OCCUR.

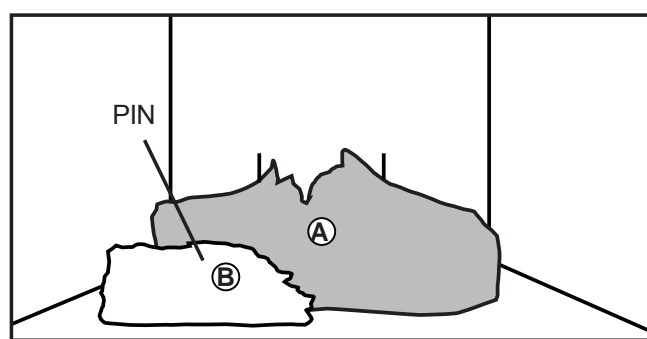
THE LOGS ARE FRAGILE AND SHOULD BE HANDLED WITH CARE.

76.1A

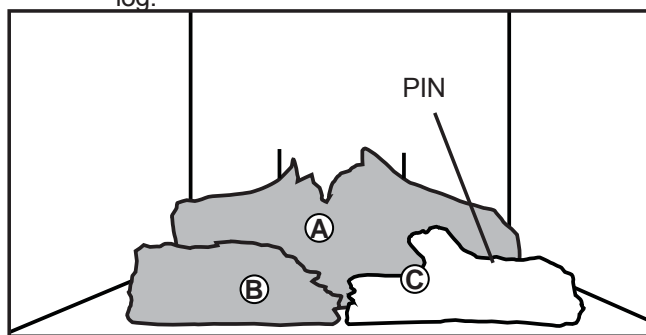
PHAZER™ logs and glowing embers exclusive to Napoleon, provide a unique and realistic glowing effect that is different in every installation. Take the time to carefully position the glowing embers for a maximum glowing effect. Log colours may vary. During the initial use of the appliance, the colours will become more uniform as colour pigments burn in during the heat activated curing process.



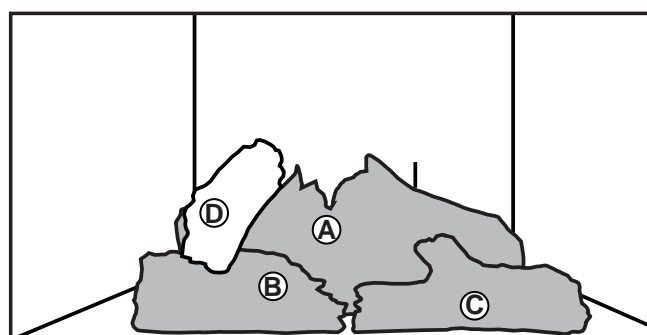
- A. Place the rear log (W135-0620) firmly onto the two studs located at the rear of the support tray. Ensure the log sits flat and does not cover the pilot opening. Place two pins in holes located on the top of the rear log.



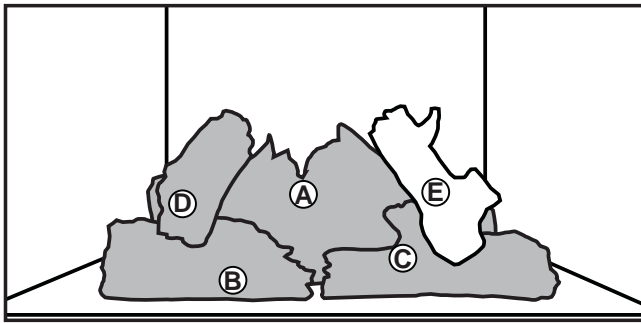
- B. Place the left log (W135-0544) onto the two studs located on the left side of the log support.



- C. Place the right log (W135-0545) onto the two studs located on the right side of the log support.



- D. Place the left crossover log (W135-0546) onto the pin located in the left side of the rear log, allow it to rest in the notch of the left log.



E. Place the right crossover log (W135-0547) onto the pin located in the right side of the rear log, allow it to rest in the notch of the right log.

F. Tear the ember material into small thin pieces and spread evenly on top of the burner. Ember material will only glow when exposed to direct flame.

G. Reinstall the door and safety screen, refer to the video tutorial or your installation manual for installation instructions.

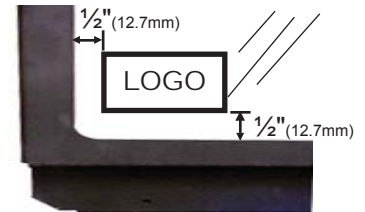
6.4 GLOWING EMBERS

Tear the embers into pieces and place along the front row of ports covering all of the burner area in front of the small logs. Care should be taken to shred the embers into thin, small irregular pieces as only the exposed edges of the fibre hairs will glow. **The ember material will only glow when exposed to direct flame; however, care should be taken to not block the burner ports.**

Blocked burner ports can cause an incorrect flame pattern, carbon deposits and delayed ignition. **PHAZER™** logs glow when exposed to direct flame. Use only certified "glowing embers" and **PHAZER™** logs available from your authorized dealer / distributor.

6.5 LOGO PLACEMENT

Remove the backing of the logo supplied and place on the glass viewing door, as indicated.



97.1A

6.6 BATTERY BACK-UP INSTALLATION



ENSURE THE GAS AND ELECTRICAL POWER IS TURNED OFF TO THE APPLIANCE.

APPLIANCE MAY BE HOT, DO NOT SERVICE UNTIL THE APPLIANCE HAS COOLED.

EN

NOTE: In the event of a power failure your appliance can be operated using the battery back-up supplied.

- A.** Before beginning installation, disconnect the gas and electrical power supply from the appliance.
- B.** Locate the battery housing supplied in the manual baggie.
- C.** Install four “AA” batteries (not supplied) into the battery housing, ensure the positive and negative ends correspond with those identified on the holder. (To open the battery housing, slide the back piece upwards and off of the battery housing).
- D.** Remove the safety screen to easily access the control compartment.
- E.** Attach the wire labelled “BATTERY” from the wiring harness, located in the control compartment of the appliance, to the battery housing.
- F.** Place the battery housing into the control compartment, ensure that the battery housing is placed in a clean and easily accessible location.
- G.** Reinstall the safety screen. The safety screen must be installed at all times during the appliance operation.
- H.** Turn the gas and electrical power back on to begin operating the appliance.

NOTE: Once the power has been restored, remove the batteries from the holder. The system will drain the batteries if they are left in the battery holder.

6.7 OPTIONAL BLOWER INSTALLATION

! WARNING

ENSURE THE UNIT IS COMPLETELY COOL BEFORE STARTING INSTALLATION

TO AVOID DANGER OF SUFFOCATION KEEP THE PACKAGING BAG AWAY FROM BABIES AND CHILDREN. DO NOT USE IN CRIBS, BED, CARRIAGES OR PLAY PENS. THIS BAG IS NOT A TOY. KNOT BEFORE THROWING AWAY.

- A. Remove the screen by lifting it up and off of the appliance.
- B. Remove the door from the appliance by releasing the four latches.
- C. It may be necessary to move the control module aside during blower installation. **(Electronic Only)**
- D. Attach the two 1/4" connectors (black and white) from the wire harness to the thermodisc.
- E. Attach the two 1/4" connectors (black and red) from the wire harness to the blower.
- F. Install the clear bumpers supplied onto the bottom of the blower to avoid the blower rubbing against the floor of the appliance.
- G. Pivot the blower into the bottom of the appliance, ensuring the gasket remains in place between the blower and outer shell while sliding the blower against the left side of outer shell into the blower mounting tab. Secure in place using one screw, see Figures 4 & 5.

NOTE: WITH THE ZIP TIE SUPPLIED, ENSURE ALL WIRES REMAIN CLEAR OF THE BLOWER.

FIGURE 4

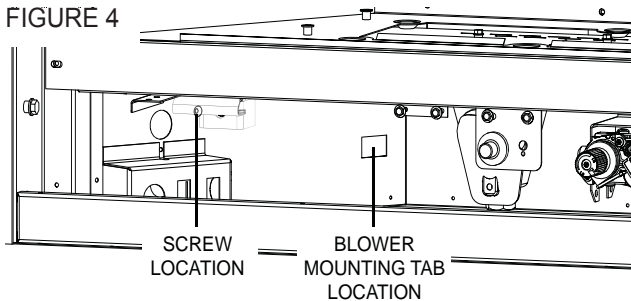
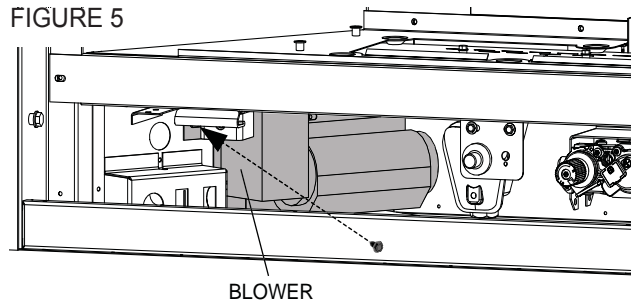


FIGURE 5



- H. Place the control module back into its original position. Ensure the transformer is plugged into the rear outlet of the electrical box, refer to Figure 2.
- I. The variable speed switch (VSS) will need to be disassembled to secure to the VSS bracket for installation. Place the VSS through the mounting bracket using the lock washer to secure it in place. Take the variable speed switch knob and install into position. (Refer to Figure 6.)
- J. To install the variable speed switch the mounting bracket will first need to be installed, remove the two screws securing the piezo ignitor switch bracket in place, install the VSS mounting bracket into position then reinstall the two previously removed screws, refer to Figure 6.

FIGURE 6

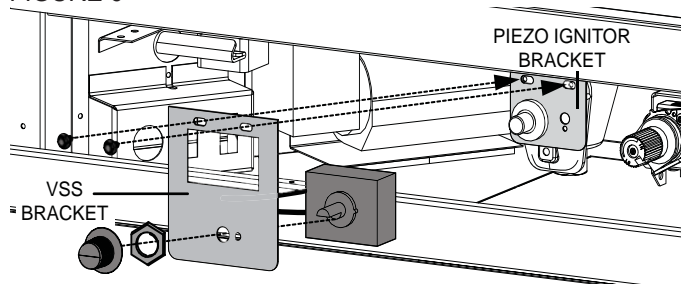
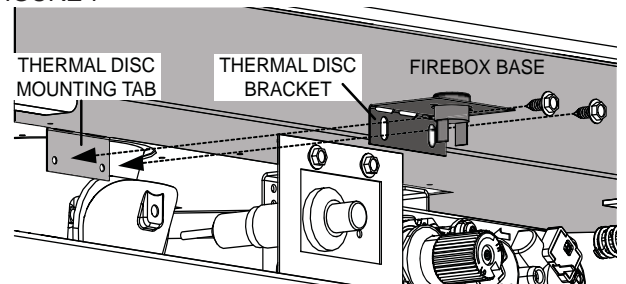


FIGURE 7



- K. Plug the connector from the variable speed switch to the matching connection on the wire harness.
- L. For installation of the thermal disc bracket first bend the tab on the bottom of the firebox 90 degrees, this will be the mounting tab for the thermal disc bracket, see Figure 7.
- M. Bend the thermal disc bracket 90 degrees and secure it to the firebox mounting tab using the two screws supplied, refer to Figure 7. Ensure that the thermal disc is in contact with the firebox base and that the wire harness is properly attached.
- N. Plug the power cord from the blower into the electrical box, refer to Figure 2.

NOTE: The blower is thermally activated, so when it is turned on, it will automatically start approximately 15 minutes after lighting the appliance and will run for approximately 30 minutes after the appliance has been turned off

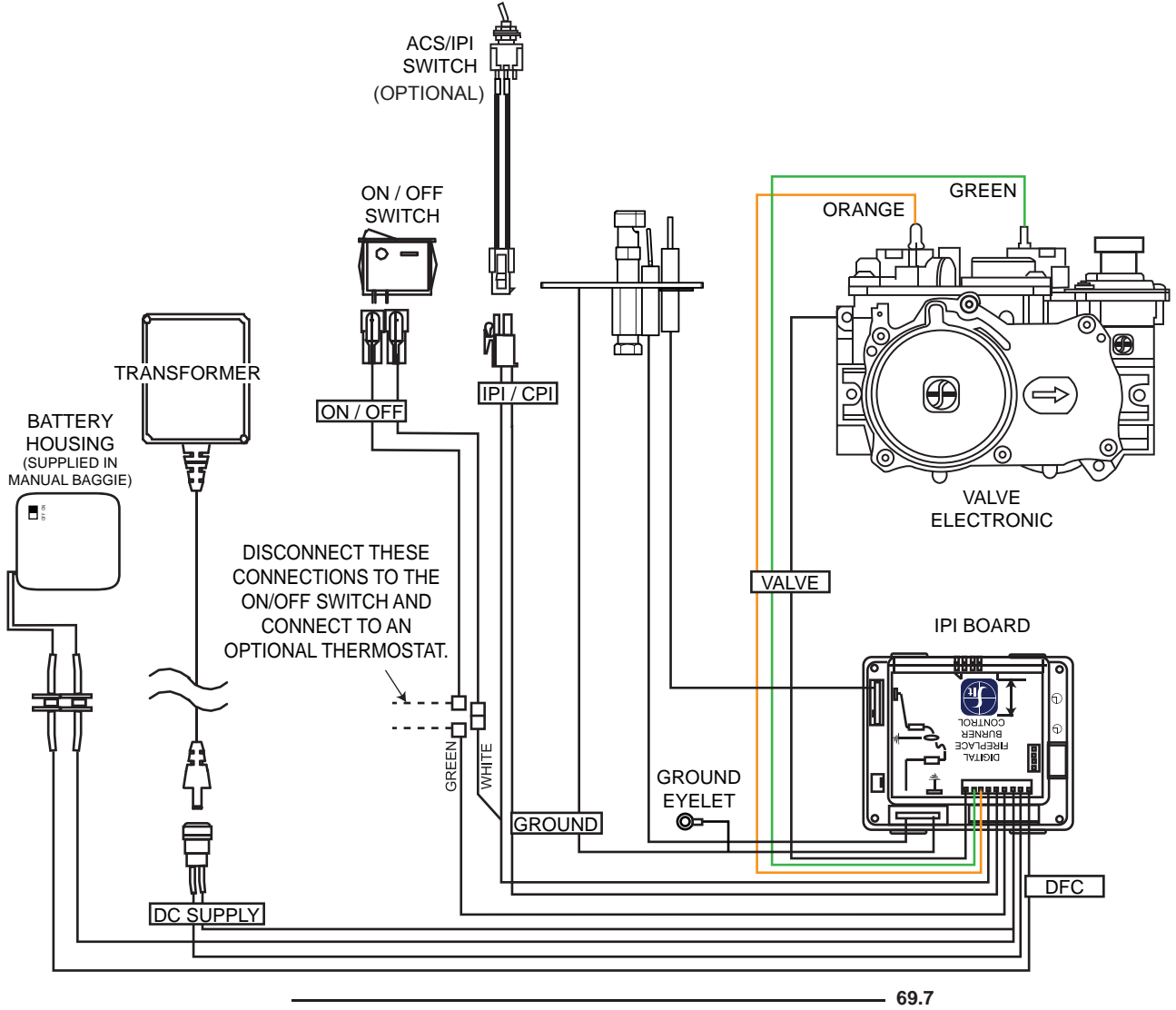
6.8 WIRING DIAGRAM (ELECTRONIC)

! WARNING

DO NOT WIRE 110 VOLTS TO THE VALVE OR WALL SWITCH.

EN

This appliance comes with a battery back-up. If this back-up is used, install 4 "AA" batteries (not supplied) into the holder and connect to the wire harness.



7.0 OPERATION (ELECTRONIC)

! WARNING

IF YOU DO NOT FOLLOW THESE INSTRUCTIONS EXACTLY, A FIRE OR EXPLOSION MAY RESULT CAUSING PROPERTY DAMAGE, PERSONAL INJURY OR LOSS OF LIFE.

ALWAYS LIGHT THE PILOT WHETHER FOR THE FIRST TIME OR IF THE GAS SUPPLY HAS RUN OUT WITH THE GLASS DOOR OPENED OR REMOVED.

Ensure that a continuous gas flow is at the burner before installing the door. When lit for the first time, the fireplace will emit an odor for a few hours. This is a normal temporary condition caused by the "burn-in" of paints and lubricants used in the manufacturing process and will not occur again. After extended periods of non-operation such as following a vacation or a warm weather season, the fireplace may emit a slight odor for a few hours. This is caused by dust particles in the heat exchanger burning off. In both cases, open a window to sufficiently ventilate the room.

FOR YOUR SAFETY READ BEFORE LIGHTING:

- A. Do not turn on if children or other at risk individuals are near the fireplace.
- B. This fireplace is equipped with a pilot which must be lit by hand while following these instructions exactly.
- C. Before operating smell all around the fireplace area for gas and next to the floor because some gas is heavier than air and will settle on the floor.
- D. Use only your hand to turn the gas control knob. Never use tools. If the knob will not turn by hand, do not try to repair it. Call a qualified service technician. Force or attempted repair may result in a fire or explosion.
- E. Do not use this fireplace if any part has been under water. Immediately call a qualified service technician to inspect the fireplace and replace any part of the control system and any gas control which has been underwater.

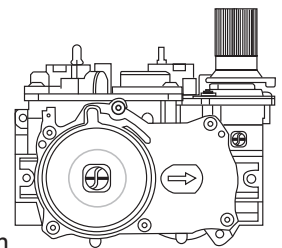
WHAT TO DO IF YOU SMELL GAS:

- Turn off all gas to the fireplace.
- Open windows.
- Do not try to light any appliance.
- Do not touch any electric switch; do not use any phone in your building.
- Immediately call your gas supplier from a neighbour's phone. Follow the gas supplier's instructions.
- If you cannot reach your gas supplier, call the fire department.



LIGHTING INSTRUCTIONS:

1. Stop! Read the above safety information on this label
2. Remove batteries from the transmitter.
3. Turn off all electrical power to the fireplace.
4. This fireplace is equipped with an ignition device which automatically lights the pilot. Do not try to light the pilot by hand.
5. Open the glass door.
6. Turn manual shutoff valve clockwise to off. Located behind the access panel.
7. Wait five (5) minutes to clear out any gas. If you smell gas including near the floor, **STOP!** Follow "B" in the above safety information on this label. If you don't smell gas go to the next step.
8. Turn manual shutoff valve counter-clockwise to on.
9. Close the glass door.
10. Turn on all electric power to the fireplace and re-install batteries into the transmitter.
11. Push the "ON" button on the transmitter. You should here an audible beep from the receiver which indicates communication (refer to Fireplace Operation for remote activation).



TO TURN OFF GAS:

1. Turn off all electric power to the fireplace if service is to be performed.
2. Push in gas control knob slightly and turn clockwise to off. Do not force.

47.3A

8.0 OPERATION (MILLIVOLT)

EN

WARNING

IF YOU DO NOT FOLLOW THESE INSTRUCTIONS EXACTLY, A FIRE OR EXPLOSION MAY RESULT CAUSING PROPERTY DAMAGE, PERSONAL INJURY OR LOSS OF LIFE.

ALWAYS LIGHT THE PILOT WHETHER FOR THE FIRST TIME OR IF THE GAS SUPPLY HAS RUN OUT WITH THE GLASS DOOR OPENED OR REMOVED.

Ensure that a continuous gas flow is at the burner before installing the door. When lit for the first time, the appliance will emit an odor for a few hours. This is a normal temporary condition caused by the "burn-in" of paints and lubricants used in the manufacturing process and will not occur again.

After extended periods of non-operation such as following a vacation or a warm weather season, the appliance may emit a slight odor for a few hours. This is caused by dust particles in the heat exchanger burning off. In both cases, open a window to sufficiently ventilate the room.

FOR YOUR SAFETY READ BEFORE LIGHTING:

- A. This appliance is equipped with a pilot which must be lit by hand while following these instructions exactly.
- B. Before operating smell all around the appliance area for gas and next to the floor because some gas is heavier than air and will settle on the floor.
- C. Use only your hand to turn the gas control knob. Never use tools. If the knob will not turn by hand, do not try to repair it. Call a qualified service technician. Force or attempted repair may result in a fire or explosion.
- D. Do not use this appliance if any part has been under water. Immediately call a qualified service technician to inspect the appliance and replace any part of the control system and any gas control which has been under water.

WHAT TO DO IF YOU SMELL GAS:

- Turn off all gas to the appliance.
- Open windows.
- Do not try to light any appliance.
- Do not touch any electric switch; do not use any phone in your building.
- Immediately call your gas supplier from a neighbor's phone. Follow the gas supplier's instructions.
- If you cannot reach your gas supplier, call the fire department.






GAS KNOB


LIGHTING INSTRUCTIONS:

WARNING: The gas valve has an interlock device which will not allow the pilot burner to be lit until the thermocouple has cooled. Allow approximately 60 seconds for the thermocouple to cool.

When lighting and re-lighting, the gas knob cannot be turned from pilot to off unless the knob is depressed slightly.

1. Stop! Read the above safety information on this label.
2. Turn off all electric power to the appliance.
3. Turn the gas knob clockwise  to off.
4. Wait five (5) minutes to clear out any gas. If you smell gas including near the floor. Stop! Follow "B" in the above safety information on this label. If you don't smell gas go the next step.
5. Turn gas knob counter-clockwise  to pilot.
6. Depress slightly and hold gas knob while lighting the pilot with the push button igniter. Keep knob depressed for one minute, then release. If pilot does not continue to burn, repeat steps 3 through 5.
7. With pilot lit, depress and turn gas knob counter-clockwise  to on.
8. If equipped with remote on-off switch / thermostat, main burner may not come on when you turn valve to on. Remote switch must be in the on position to ignite burner.
9. Turn on all electric power to the appliance.

TO TURN OFF GAS

1. Turn off all electric power to the appliance if service is to be performed.
2. Push in gas control knob slightly and turn clockwise  to off. Do not force.

TURN THE CONTROL VALVE TO THE OFF POSITION WHEN HEATER IS NOT IN USE.

47.2

9.0 ADJUSTMENT

9.1 PILOT BURNER ADJUSTMENT

Adjust the pilot screw to provide properly sized flame. Turn in a clockwise direction to reduce the gas flow.

Check Pressure Readings:

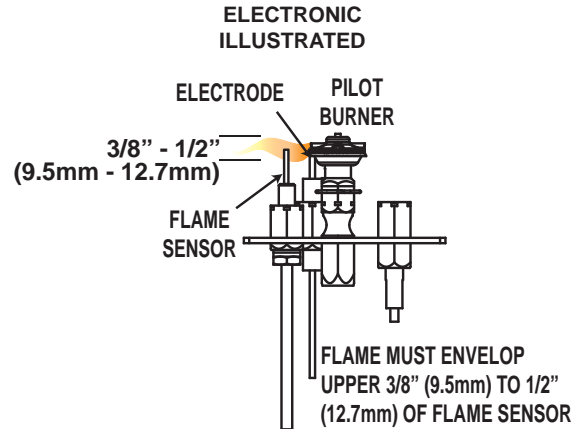
Inlet pressure can be checked by turning screw (A) counter-clockwise 2 or 3 turns and then placing pressure gauge tubing over the test point. Gauge should read as described on the chart below. Check that main burner is operating on "HI".

Outlet pressure can be checked the same as above using screw (B). Gauge should read as described on the chart below. Check that main burner is operating on "HI".

AFTER TAKING PRESSURE READINGS, BE SURE TO TURN SCREWS CLOCKWISE FIRMLY TO RESEAL. DO NOT OVERTORQUE.

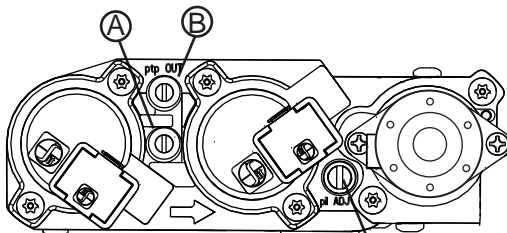
Leak test with a soap and water solution.

Prior to pilot adjustment, ensure that the pilot assembly has not been painted. If overspray or painting of the pilot assembly has occurred remove the paint from the pilot assembly, or replace. Fine emery cloth or sandpaper can be used to remove the paint from the pilot hood, electrode and flame sensor.

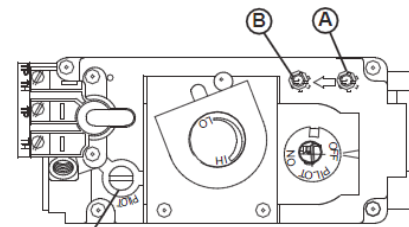


Pressure	Natural Gas (inches)	Natural Gas (millibars)	Propane (inches)	Propane (millibars)
Inlet	7" (MIN. 4.5")	17.4mb (MIN. 11.2mb)	13" (MIN. 11")	32.4mb (MIN. 27.4mb)
Outlet	3.5"	8.7mb	10"	24.9mb

39.1C



ELECTRONIC



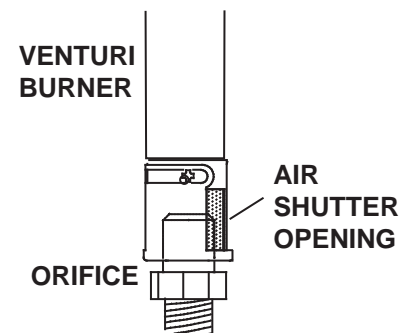
MILLIVOLT

9.2 VENTURI ADJUSTMENT

This appliance has an air shutter that has been factory set open according to the chart below:

Regardless of venturi orientation, closing the air shutter will cause a more yellow flame, but can lead to carbonization. Opening the air shutter will cause a more blue flame, but can cause flame lifting from the burner ports. The flame may not appear yellow immediately; allow 15 to 30 minutes for the final flame colour to be established.

AIR SHUTTER ADJUSTMENT MUST ONLY BE DONE BY A QUALIFIED INSTALLER!



49.1

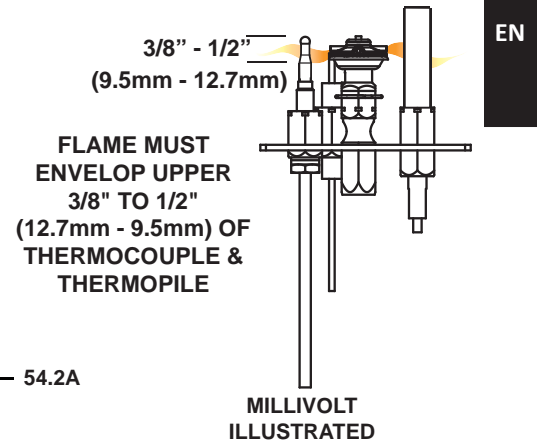
VENTURI ADJUSTMENT CHART		
B46		
FUEL	TOP	REAR
NG	1/8" (3.2mm)	1/8" (3.2mm)
LP	3/16" (4.8mm)	3/8" (9.5mm)

9.3 FLAME CHARACTERISTICS

It's important to periodically perform a visual check of the pilot and burner flames. Compare them to the illustrations provided. If any flame appears abnormal call a service person.



54.2A



EN

9.4 ANTI CONDENSATION SWITCH (MODELS B46NTRE AND B46PTRE ONLY)

This appliance has the option to change from an electronic intermittent pilot ignition (IPI) to a standing pilot for cold climates. The anti condensation control (standing pilot) is located in the center of the control panel. Using your finger, flip the switch up for standing pilot, or down for intermittent pilot ignition.

Turning the ACS switch on will allow the pilot flame burning to burn continuously. This mode will minimize the condensation which forms on the inside of the glass when the main burner is first turned on. It will also help the fireplace and vent system stabilize more quickly during the colder winter months.

During the warmer winter and summer months, the ACS switch can be turned off to minimize fuel consumption.

10.0 MAINTENANCE

! WARNING**TURN OFF THE GAS AND ELECTRICAL POWER BEFORE SERVICING THE APPLIANCE.****APPLIANCE MAY BE HOT, DO NOT SERVICE UNTIL APPLIANCE HAS COOLED.****DO NOT USE ABRASIVE CLEANERS.****DO NOT PAINT THE PILOT ASSEMBLY.**

CAUTION: Label all wires prior to disconnection when servicing controls. Wiring errors can cause improper and dangerous operation. Verify proper operation after servicing. This appliance and its venting system should be inspected before use and at least annually by a qualified service person. The appliance area must be kept clear and free of combustible materials, gasoline or other flammable vapors and liquids. The flow of combustion and ventilation air must not be obstructed.

- A.** In order to properly clean the burner and pilot assembly, remove the logs, rocks and/or glass to expose both assemblies.
- B.** Keep the control compartment, media, burner, air shutter opening and the area surrounding the logs clean by vacuuming or brushing, at least once a year.
- C.** Check to see that all burner ports are burning. Clean out any of the ports which may not be burning or are not burning properly.
- D.** Check to see that the pilot flame is large enough to engulf the flame sensor and/or thermocouple / thermopile as well as reaches the burner.
- E.** Replace the cleaned logs, rocks or glass. Failure to properly position the media may cause carbon which can be distributed in the surrounding living area.
- F.** Check to see that the main burner ignites completely on all openings when turned on. A 5 to 10 second total light-up period is satisfactory. If ignition takes longer, consult your local authorized dealer / distributor.
- G.** Check that the gasketing on the sides, top and bottom of the door is not broken or missing. Replace if necessary.
- H.** If for any reason the vent air intake system is disassembled, re-install and re-seal per the instructions provided for the initial installation.
- I.** Cleaning the safety barrier may be necessary due to excessive lint / dust from carpeting, pets, etc. simply vacuum using the brush attachment.
- J.** Ensure the relief system performs effectively. Check that the gasket is not worn or damaged. Replace if necessary.

40.1D

10.1 ANNUAL MAINTENANCE

! WARNING

THE FIREBOX BECOMES VERY HOT DURING OPERATION. LET THE APPLIANCE COOL COMPLETELY OR WEAR HEAT RESISTANT GLOVES BEFORE CONDUCTING SERVICE.

NEVER VACUUM HOT EMBERS.

DO NOT PAINT THE PILOT ASSEMBLY.

- This appliance will require maintenance which should be planned on an annual basis.
- Service should include cleaning, battery replacement, venting inspection and inspection of the burner, media and firebox. Refer to the door removal section and remove the door as instructed.
- Carefully remove media if necessary (logs, glass, brick panels etc).
- Using a vacuum with a soft brush attachment, gently remove any dirt, debris or carbon build up from the logs, firebox and burner. For glass media, follow the installation instructions for pre-cleaning.
- Also gently remove any build-up on the pilot assembly including, if equipped; thermopile, thermocouple, flame sensor and igniter. **NOTE: The flame sensor may require to be cleaned using a fine steel wool or Scotch-Brite™ scrubbing pad to remove any oxides. Clean the pilot assembly using a vacuum with a soft brush attachment. It is important that the pilot assembly is not painted.**
- Inspect all accessible gaskets and replace as required.
- Access the blower, if equipped and clean using a soft brush and vacuum.
- Re-assemble the various components in reverse order.
- Inspect the relief system. The appliance relieves through the main glass door or through the flaps on the firebox top. Ensure they open freely, and close sealed.
- Check the gas control valve pilot and Hi / Lo knobs move freely (if equipped) – replace if any stiffness in movement is experienced.
- Check for gas leaks on all gas connections up and downstream from the gas valve including the pilot tube connections.

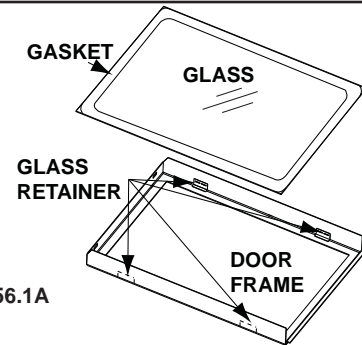
37.1C

10.2 DOOR GLASS REPLACEMENT

EN

! WARNING	
DO NOT USE SUBSTITUTE MATERIALS.	
GLASS MAY BE HOT, DO NOT TOUCH GLASS UNTIL COOLED.	
CARE MUST BE TAKEN WHEN REMOVING AND DISPOSING OF ANY BROKEN DOOR GLASS OR DAMAGED COMPONENTS. BE SURE TO VACUUM UP ANY BROKEN GLASS FROM INSIDE THE APPLIANCE BEFORE OPERATION.	
DO NOT STRIKE, SLAM OR SCRATCH GLASS. DO NOT OPERATE APPLIANCE WITH GLASS REMOVED, CRACKED, BROKEN OR SCRATCHED.	

- A. Place the door frame face down careful not to scratch the paint.
- B. Center the gasketed glass inside the door frame with the thick side of the gasket facing up.
- C. Bend the glass retainers located along the edge of the door frame over the gasket holding the glass in place. Careful not to break the glass.



56.1A

10.3 CARE OF GLASS

DO NOT CLEAN GLASS WHEN HOT! DO NOT USE ABRASIVE CLEANERS TO CLEAN GLASS.

Buff lightly with a clean dry soft cloth. Clean both sides of the glass after the first 10 hours of operation with a recommended fireplace glass cleaner. Thereafter clean as required. If the glass is not kept clean permanent discoloration and / or blemishes may result.

! WARNING	
	HOT GLASS WILL CAUSE BURNS.
	DO NOT TOUCH GLASS UNTIL COOLED.
	NEVER ALLOW CHILDREN TO TOUCH GLASS.

5.1

This appliance is factory equipped with 4mm tempered glass. Use only replacement glass available from your Napoleon® dealer. **DO NOT SUBSTITUTE MATERIALS.**

5.5

11.0 REPLACEMENTS

WARNING

FAILURE TO POSITION THE PARTS IN ACCORDANCE WITH THIS MANUAL OR FAILURE TO USE ONLY PARTS SPECIFICALLY APPROVED WITH THIS APPLIANCE MAY RESULT IN PROPERTY DAMAGE OR PERSONAL INJURY.

**** THIS IS A FAST ACTING THERMOCOUPLE. IT IS AN INTEGRAL SAFETY COMPONENT. REPLACE ONLY WITH A FAST ACTING THERMOCOUPLE SUPPLIED BY WOLF STEEL LTD.**

Contact your dealer or the factory for questions concerning prices and policies on replacement parts. Normally all parts can be ordered through your Authorized dealer / distributor.

FOR WARRANTY REPLACEMENT PARTS, A PHOTOCOPY OF THE ORIGINAL INVOICE WILL BE REQUIRED TO HONOUR THE CLAIM.

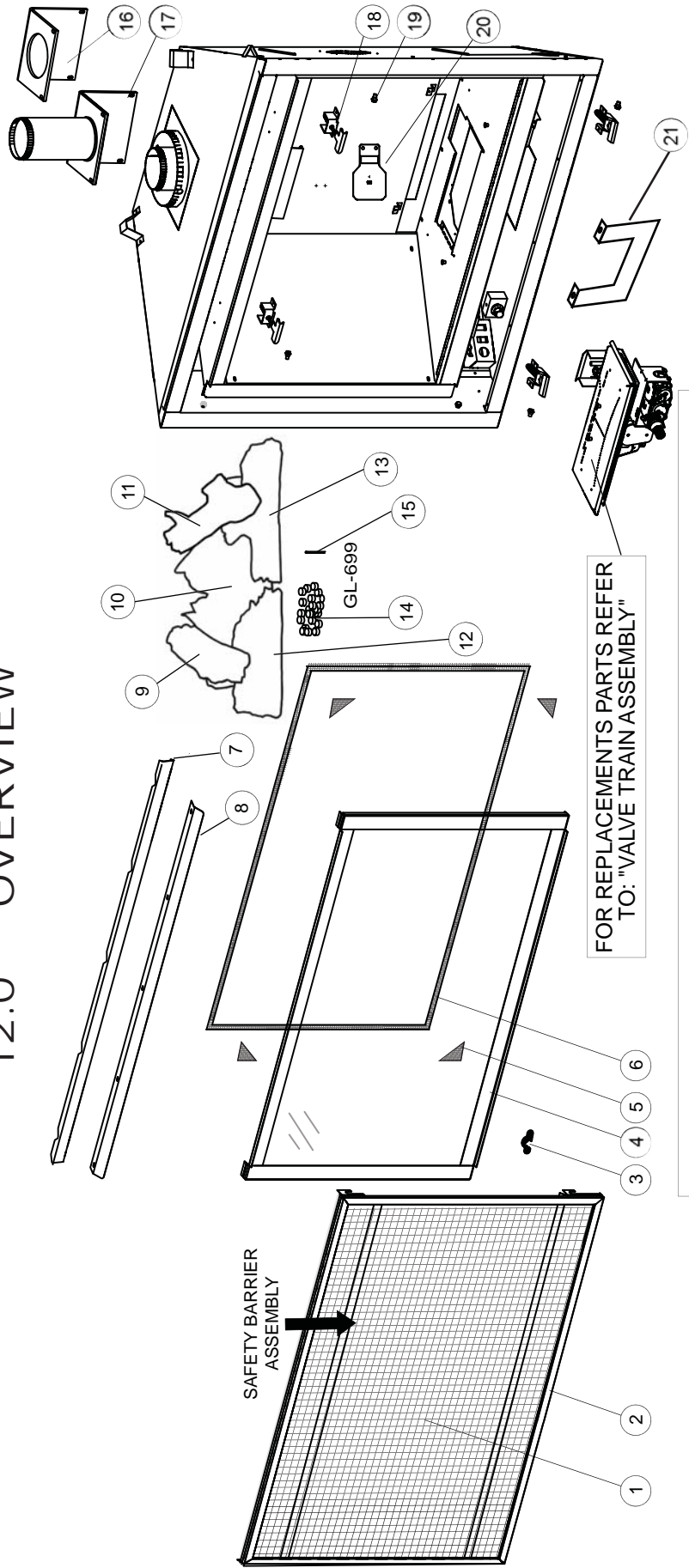
When ordering replacement parts always give the following information:

- Model & Serial Number of appliance
- Installation date of appliance
- Part number
- Description of part
- Finish

*** IDENTIFIES ITEMS WHICH ARE NOT ILLUSTRATED. FOR FURTHER INFORMATION, CONTACT YOUR AUTHORIZED DEALER.** _____

41.2

12.0 OVERVIEW

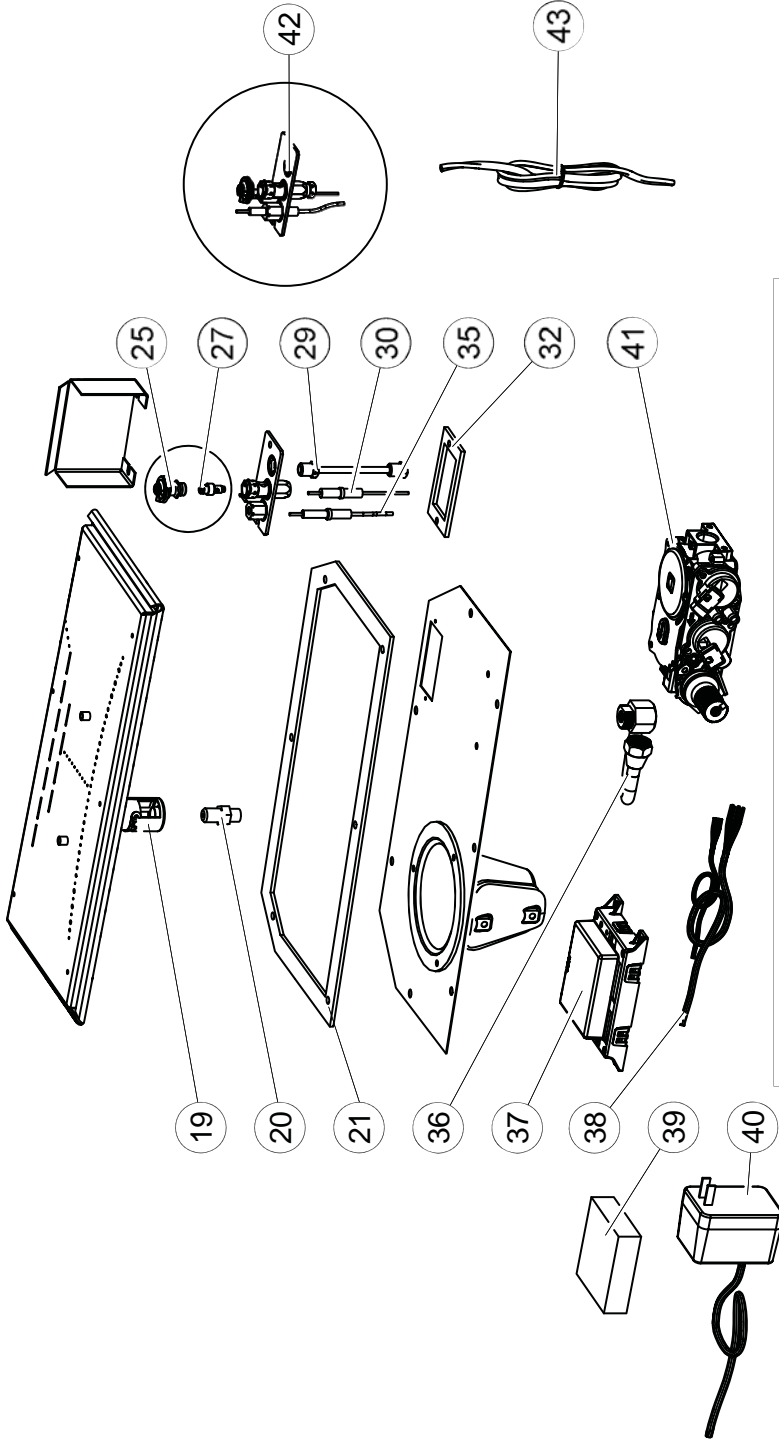


ITEMS MAY NOT APPEAR EXACTLY AS ILLUSTRATED

REF. NO.	PART NUMBER	DESCRIPTION	STOCKED
1	W565-0228	SAFETY SCREEN	YES
2	W010-3795	SAFETY BARRIER ASSEMBLY	YES
3	W385-0334	NAPOLEON LOGO	YES
4	W010-3796	DOOR ASSEMBLY	YES
5	W667-0018	GASKET TAPE (X4)	YES
6	W562-0009	DOOR GASKET	YES
7	W335-0070	HOOD	YES
8	W715-1082	TOP FINISHING TRIM	YES
9	W135-0546	LEFT CROSSOVER LOG (GL-699)	YES
10	W135-0620	REAR LOG (GL-699)	YES

REF. NO.	PART NUMBER	DESCRIPTION	STOCKED
11	W135-0589	RIGHT CROSSOVER LOG (GL-699)	YES
12	W135-0591	LEFT SIDE LOG (GL-699)	YES
13	W135-0592	RIGHT SIDE LOG (GL-699)	YES
14	W361-0016	GLOWING EMBERS (GL-699)	YES
15	W485-0042	LOG LOCATING PIN	YES
16	W290-0259	GASKET FLUE PIPE ASSY	YES
17	W010-3279	4" EXHAUST FLUE PIPE ASSY	YES
18	W010-3070	DOOR LATCHES (X6)	YES
19	W570-0135	SHOULDER SCREWS (X4)	YES
20	W500-0673	4" RESTRICTOR PLATE	YES
21	W018-0181	REAR BAFFLE	YES

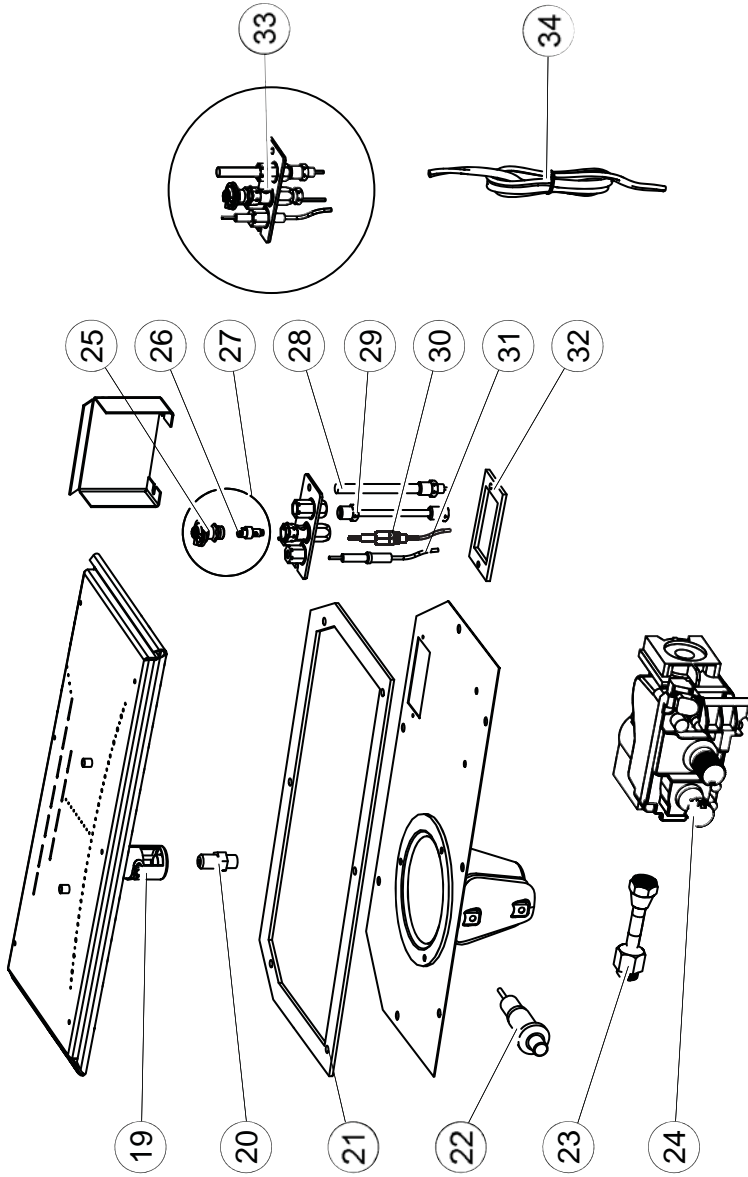
13.0 VALVE TRAIN ASSEMBLY (ELECTRONIC)



ITEMS MAY NOT APPEAR EXACTLY AS ILLUSTRATED

REF. NO.	PART NUMBER	DESCRIPTION	STOCKED
19	W100-0205	BURNER ASSEMBLY	YES
20	W456-0043	BURNER ORIFICE #41 (NG)	YES
20	W456-0054	BURNER ORIFICE #53 (LP)	YES
21	W290-0248	VALVE TRAIN GASKET	YES
25	W335-0039	PILOT HOOD	YES
27	W455-0070	PILOT ORIFICE #62 (NG)	YES
27	W455-0068	PILOT ORIFICE #35 (LP)	YES
29	W720-0062	PILOT TUBE (w/ FITTINGS)	YES
30	W240-0013	ELECTRODE (w/ WIRE)	YES
32	W290-0029	PILOT GASKET	YES
35	W245-0025	THERMOSENSOR	YES
36	W432-0078	MANIFOLD FLEX PIPE	YES
37	W190-0072	CONTROL MODULE	YES
38	W010-1986	WIRE HARNESS	YES
39	W350-0702	BATTERY BACK-UP	YES
40	W707-0010	TRANSFORMER	YES
41	W725-0062	886 PROFLAME VALVE (NG)	YES
41	W725-0063	886 PROFLAME VALVE (LP)	YES
42	W010-2763	PILOT ASSEMBLY (NG)	YES
42	W010-2808	PILOT ASSEMBLY (LP)	YES
43	W750-0270	WIRE SWITCH	YES

14.0 VALVE TRAIN ASSEMBLY (MILLIVOLT)

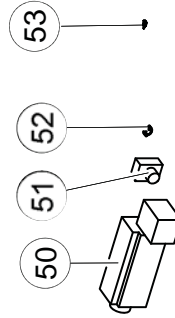
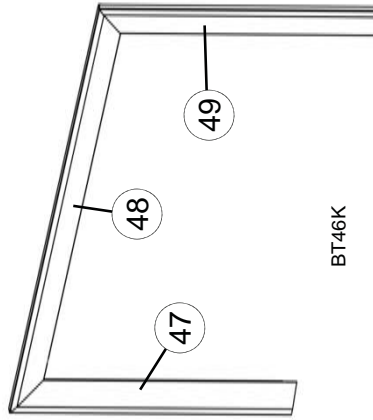
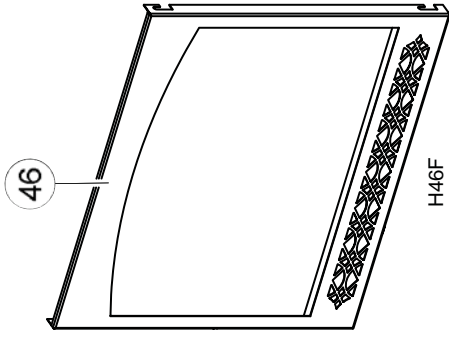
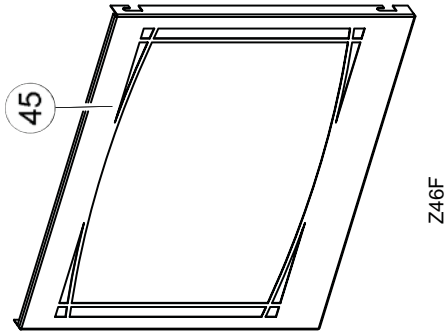
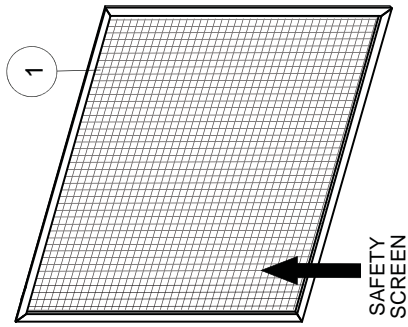


ITEMS MAY NOT APPEAR EXACTLY AS ILLUSTRATED

REF. NO.	PART NUMBER	DESCRIPTION	STOCKED
19	W100-0205	BURNER ASSEMBLY	YES
20	W456-0043	BURNER ORIFICE #43 (NG)	YES
20	W456-0054	BURNER ORIFICE #54 (LP)	YES
21	W290-0248	VALVE TRAIN GASKET	YES
22	W357-0001	PUSH BUTTON IGNITOR	YES
23	W432-0078	MANIFOLD FLEX PIPE	YES
24	W725-0025	VALVE (NG)	YES
24	W725-0043	VALVE (LP)	YES
25	W335-0039	PILOT HOOD	YES
26	W455-0070	PILOT ORIFICE #62 (NG)	YES
26	W455-0068	PILOT ORIFICE #35 (LP)	YES

REF. NO.	PART NUMBER	DESCRIPTION	STOCKED
27	W010-0801	PILOT (NG)	YES
27	W010-0800	PILOT (LP)	YES
28	W680-0004	THERMOPILE	YES
29	W720-0062	PILOT TUBE (w/ FITTINGS)	YES
30	W240-0006	ELECTRODE (w/ WIRE)	YES
31	W680-0005	THERMOCOUPLE	YES
32	W290-0029	PILOT GASKET	
33	W010-0798	PILOT ASSEMBLY (NG)	
33	W010-0799	PILOT ASSEMBLY (LP)	
34	W750-0112	WIRE SWITCH	

15.0 ACCESSORIES



BT46K

AUB

ITEMS MAY NOT APPEAR EXACTLY AS ILLUSTRATED

REF. NO.	PART NUMBER	DESCRIPTION	STOCKED
1	W565-0228	SAFETY SCREEN	YES
45	W010-3799	ZEN FRONT ASSEMBLY (Z46F)	
46	W010-3798	HERITAGE FRONT ASSEMBLY (H46F)	
47	W715-1069	(LS) BEVELLED TRIM (BT46K)	
48	W715-1087	BEVELLED TRIM (TOP/BOTTOM) (X2) (BT46K)	

REF. NO.	PART NUMBER	DESCRIPTION	STOCKED
49	W715-1070	(RS) BEVELLED TRIM (BT46K)	
50	W062-0051	BLOWER (AUB)	YES
51	KB-35	VARIABLE SPEED SWITCH	YES
52	W690-0002	THERMODISC	YES
53	ACS	ANTI-CONDENSATION SWITCH (ACS)	YES

16.0 TROUBLESHOOTING (ELECTRONIC)

! WARNING

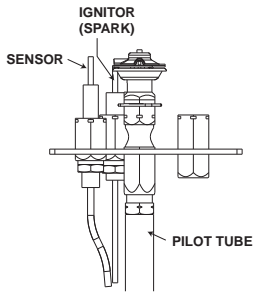
ALWAYS LIGHT THE PILOT WHETHER FOR THE FIRST TIME OR IF THE GAS SUPPLY HAS RUN OUT, WITH THE GLASS DOOR OPEN OR REMOVED.

TURN OFF THE GAS AND ELECTRICAL POWER BEFORE SERVICING THE APPLIANCE.

APPLIANCE MAY BE HOT, DO NOT SERVICE UNTIL APPLIANCE HAS COOLED.

DO NOT USE ABRASIVE CLEANERS.

SYMPTOM	PROBLEM	TEST SOLUTION
Pilot will not light. Makes noise with no spark at pilot burner.	Wiring.	- Verify the wire for the sensor and the wire for the ignitor are connected to the correct terminals (not reversed) on the module. NOTE: Sensor has 3/16" (4.8mm) connection and ignitor has 1/8" (3.2mm) connection.
	Loose connection.	- Verify no loose connections, electrical shorts in the wiring or ground out to any metal object.
	Module.	- Turn the ON/OFF switch to the "OFF" position. Remove the igniter wire from the module. Place the ON/OFF switch to the "ON" position. Hold a grounded wire about 3/16" (4.8mm) away from the ignitor (spark) terminal on the module. If no spark the ignitor terminal module must be replaced. If there is a spark the ignitor terminal is fine. Inspect pilot assembly for a shorted wire or cracked insulator around the electrode.
	Igniter Spark gap is incorrect.	- Spark gap of the ignitor to the pilot should be 1/8" (3.2mm).
	Transformer.	- Verify the transformer is installed and plugged into the module. Check voltage of the transformer under load at the spade connections on the module with the ON/OFF switch in the "ON" position. Acceptable readings of a good transformer are between 6.2 and 7.0 volts A.C.
	Battery backup (if power is off)	- Check batteries.
	A shorted or loose Connection.	- Remove and reinstall the wiring harness that plugs into the module. Remove and verify continuity of each wire in wiring harness.
	Improper switch wiring.	- Troubleshoot the system with the simplest ON/OFF switch.
	Module is not grounded.	- Verify the valve and pilot assemblies are properly grounded to the metal chassis of the appliance or log set.
	Pilot sparks but will not light.	Gas supply.
Out of propane gas.		- Fill the tank.



SYMPTOM	PROBLEM	TEST SOLUTION
Carbon is being deposited on glass, logs, rocks, media or combustion chamber surfaces.	Air shutter has become blocked.	- Ensure air shutter opening is free of lint or other obstructions.
	Flame is impinging on the glass, logs, rocks, media or combustion chamber.	- Check that the glass, logs, rocks or media are correctly positioned. - Too much glass media around the burner can cause carbon deposits. - Open air shutter to increase the primary air. - Check the input rate: check the manifold pressure and orifice size as specified by the rating plate values. - Check that the door gasketing is not broken or missing and that the seal is tight. - Check that both vent liners are free of holes and well sealed at all joints. - Check that minimum rise per foot has been adhered to for any horizontal venting.
Continues to spark and pilot lights, but main burner will not light.	Short or loose connection in sensor rod.	- Verify all connections. Verify the connections from the pilot assembly are tight; also verify these connections are not grounding out to any metal.
	Poor flame rectification or contaminated sensor rod.	- Verify the flame is engulfing the sensor rod. This will increase the flame rectification. Verify correct pilot orifice is installed and inlet gas specifications to manual. (Remember, the flame carries the rectification current, not the gas. If the flame lifts from pilot hood, the circuit is broken. A wrong orifice or too high of an inlet pressure can cause the pilot flame to lift.) The sensor rod may need cleaning.
	Poor grounding between pilot assembly and gas valve.	- Verify that the wire harness is firmly connected to module. Verify that the ceramic insulator around the sensor rod is not cracked, damaged, or loose. Verify the connection from the sensor rod to the sensor wire.
	Damaged pilot or dirty sensor rod.	- Clean sensor rod with a fine steel wool to remove any contamination that may have accumulated on the sensor rod. Verify continuity with multimeter with ohms set at the lowest range.
Pilot lights Stops sparking / pilot remains lit but burner will not turn on.	Wiring / Connection.	- Inspect all wires, ensure good tight connections. Verify that all wiring is installed exactly as specified.
	Wiring harness.	- Inspect the wiring harness, and verify the harness is tightly connected to the module. Verify that all wires are connected in the right order. See "WIRING DIAGRAM" section.
Exhaust fumes smelled in room, headaches.	Appliance is spilling.	- Check all seals. - Check if exhaust is re-entering through an open door or window.

SYMPTOM	PROBLEM	TEST SOLUTION
White / grey film forms.	Sulphur from fuel is being deposited on glass, logs or combustion chamber surfaces.	<ul style="list-style-type: none"> - Clean the glass, see "CARE OF GLASS" section - DO NOT CLEAN GLASS WHEN HOT. - If deposits are not cleaned off regularly, the glass may become permanently marked.
Flames are very aggressive.	Door is ajar.	- Tighten door clamps if applicable.
	Venting action is too great.	- Restrict vent exit with restrictor plate. See "RESTRICTING VENTS" section if applicable.
Main burner flame is a blue, lazy, transparent flame.	Blockage in vent.	- Remove blockage. In extreme conditions, ice buildup may occur on the terminal and should be removed. To minimize this from happening again, it is recommended that the vent lengths that pass through unheated spaces (attics, garages, crawl spaces) be wrapped with an insulated mylar sleeve. Prevent sleeve from sagging. Contact your local authorized dealer for more information.
	Compromised venting.	- Check venting system parameters (seal, length, rise, etc.).
Main burner goes out: pilot goes out.	Vent recirculation.	- Check joint seals and installation.

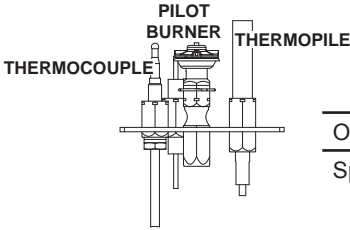
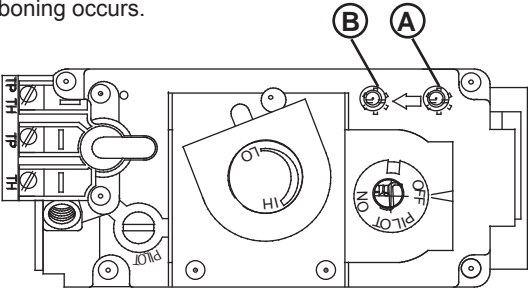
42.7_3B

17.0 TROUBLESHOOTING (MILLIVOLT)

EN

! WARNING		
ALWAYS LIGHT THE PILOT WHETHER FOR THE FIRST TIME OR IF THE GAS SUPPLY HAS RUN OUT, WITH THE GLASS DOOR OPEN OR REMOVED.		
TURN OFF THE GAS AND ELECTRICAL POWER BEFORE SERVICING THE APPLIANCE.		
APPLIANCE MAY BE HOT, DO NOT SERVICE UNTIL APPLIANCE HAS COOLED.		
DO NOT USE ABRASIVE CLEANERS.		
SYMPTOM	PROBLEM	TEST SOLUTION
Main burner goes out; pilot stays on.	Pilot flame is not large enough or not engulfing the thermopile.	<ul style="list-style-type: none"> - Turn up the pilot flame. - Replace pilot assembly.
	Thermopile shorting.	<ul style="list-style-type: none"> - Clean thermopile connection to the valve. Reconnect. - Replace thermopile / valve.
	Remote wall switch wire is too long; too much resistance in the system.	<ul style="list-style-type: none"> - Shorten wire to correct length or wire gauge.
	Faulty thermostat or switch.	<ul style="list-style-type: none"> - Replace.
Main burner goes out; pilot goes out.	Refer to "MAIN BURNER GOES OUT; PILOT STAYS ON"	
	Vent is blocked	<ul style="list-style-type: none"> - Check for vent blockage.
	Vent is re-circulating	<ul style="list-style-type: none"> - Check joint seals and installation
	Flexible vent has become disconnected from appliance.	<ul style="list-style-type: none"> - Re-attach to appliance. - Cap was not replaced.
Pilot goes out when the gas knob is released. The gas valve has an interlock device which will not allow the pilot burner to be lit until the thermocouple has cooled. Allow approximately 60 seconds for the thermocouple to cool.	System is not correctly purged	<ul style="list-style-type: none"> - Purge the gas line.
	Out of propane gas.	<ul style="list-style-type: none"> - Fill the tank.
	Pilot flame is not large enough.	<ul style="list-style-type: none"> - Turn up the pilot flame.
	Pilot flame is not engulfing the thermocouple	<ul style="list-style-type: none"> - Gently twist the pilot head to improve the flame pattern around the thermocouple.
	Thermocouple shorting / faulty.	<ul style="list-style-type: none"> - Loosen and tighten thermocouple. - Clean thermocouple and valve connection. - Replace thermocouple. - Replace valve.
	Faulty valve.	<ul style="list-style-type: none"> - Replace.
Pilot burning; no gas to main burner; gas knob is on 'HI'; wall switch / thermostat is on.	Thermostat or switch is defective	<ul style="list-style-type: none"> - Connect a jumper wire across the wall switch terminals; if main burner lights, replace switch / thermostat.
	Wall switch wiring is defective.	<ul style="list-style-type: none"> - Disconnect the switch wires & connect a jumper wire across terminals 1 & 3; if the main burner lights, check the wires for defects and/or replace wires.
	Main burner orifice is plugged.	<ul style="list-style-type: none"> - Remove stoppage in orifice.
	Faulty valve.	<ul style="list-style-type: none"> - Replace.
Pilot goes out while standing; Main burner is in 'OFF' position.	Gas piping is undersized.	<ul style="list-style-type: none"> - Turn on all gas appliances and see if pilot flame flutters, diminishes or extinguishes, especially when main burner ignites. Monitor appliance supply working pressure. - Check if supply piping size is to code. Correct all undersized piping.
Main burner flame is a blue, lazy, transparent flame.	Blockage in vent.	<ul style="list-style-type: none"> - Remove blockage. In really cold conditions, ice buildup may occur on the terminal and should be removed as required. To minimize this from happening again, it is recommended that the vent lengths that pass through unheated spaces (attics, garages, crawl spaces) be wrapped with an insulated mylar sleeve. Prevent sleeve from sagging. Contact your local authorized dealer for more information.

42.3B

SYMPTOM	PROBLEM	TEST SOLUTION														
<p>Pilot will not light.</p> 	No spark at pilot burner.	<ul style="list-style-type: none"> - Check if pilot can be lit by a match. - Check that the wire is connected to the push button igniter. - Check if the push button igniter needs tightening. - Replace the wire if the wire insulation is broken or frayed. - Replace the electrode if the ceramic insulator is cracked or broken. - Replace the push button ignitor 														
	Out of propane gas.	<ul style="list-style-type: none"> - Fill the tank. 														
	Spark gap is incorrect.	<ul style="list-style-type: none"> - Spark gap should be 0.150" (3.8mm) to 0.175" (4.5mm) from the electrode tip and the pilot burner. To ensure proper electrode location, tighten securing nut (finger tight plus 1/4 turn). 														
	No gas at the pilot burner.	<ul style="list-style-type: none"> - Check that the manual valve is turned on. - Check the pilot orifice for blockage. - Replace the valve. - Call the gas distributor. 														
<p>Flames are consistently too large or too small. Carboning occurs.</p> 	Unit is over-fired or underfired.	<ul style="list-style-type: none"> - Check pressure readings: - Inlet pressure can be checked by turning screw (A) counter-clockwise 2 or 3 turns and then placing pressure gauge tubing over the test point. Gauge should read as described on the chart below. Check with main burner is operating on 'HI'. - Outlet pressure can be checked the same as above using screw (B). Gauge should read as described on the chart below. Check that main burner is operating on 'HI'. - AFTER TAKING PRESSURE READINGS, BE SURE TO TURN SCREWS CLOCKWISE FIRMLY TO RESEAL. DO NOT OVER TORQUE. - Leak test with a soap and water solution. 														
		<table border="1"> <thead> <tr> <th>Pressure</th> <th>Natural Gas (inches)</th> <th>Natural Gas (millibars)</th> <th>Propane (inches)</th> <th>Propane (millibars)</th> </tr> </thead> <tbody> <tr> <td>Inlet</td> <td>7" (MIN. 4.5")</td> <td>17.4mb (MIN. 11.2mb)</td> <td>13" (MIN. 11")</td> <td>32.4mb (MIN. 27.4mb)</td> </tr> <tr> <td>Outlet</td> <td>3.5"</td> <td>8.7mb</td> <td>10"</td> <td>24.9mb</td> </tr> </tbody> </table>	Pressure	Natural Gas (inches)	Natural Gas (millibars)	Propane (inches)	Propane (millibars)	Inlet	7" (MIN. 4.5")	17.4mb (MIN. 11.2mb)	13" (MIN. 11")	32.4mb (MIN. 27.4mb)	Outlet	3.5"	8.7mb	10"
Pressure	Natural Gas (inches)	Natural Gas (millibars)	Propane (inches)	Propane (millibars)												
Inlet	7" (MIN. 4.5")	17.4mb (MIN. 11.2mb)	13" (MIN. 11")	32.4mb (MIN. 27.4mb)												
Outlet	3.5"	8.7mb	10"	24.9mb												
<p>Flames are very aggressive.</p>	Door is ajar.	<ul style="list-style-type: none"> - Ensure the mechanical means of securing the door is providing a tight seal. 														
	Venting action is too great.	<ul style="list-style-type: none"> - Check to ensure venting is properly sealed. - If restriction is required see "RESTRICTING VERTICAL VENT" section. 														
<p>Carbon is being deposited on glass, logs or combustion chamber surfaces.</p>	Air shutter has become blocked.	<ul style="list-style-type: none"> - Ensure air shutter opening is free of lint or other obstructions. 														
	Flame is impinging on the logs or combustion chamber.	<ul style="list-style-type: none"> - Check that the logs are correctly positioned. - Open air shutter to increase the primary air. - Check the input rate: check the manifold pressure and orifice size as specified by the rating plate values. - Check that the door gasketing is not broken or missing and that the seal is tight. - Check that both vent liners are free of holes and well sealed at all joints. - Check that minimum rise per foot (meter) has been adhered to for any horizontal venting. 														

SYMPTOM	PROBLEM	TEST SOLUTION
White / grey film forms.	Sulphur from fuel is being deposited on glass, logs or combustion chamber surfaces.	<ul style="list-style-type: none"> - Clean the glass with a recommended gas appliance glass cleaner. - DO NOT CLEAN GLASS WHEN HOT. - If deposits are not cleaned off regularly, the glass may become permanently marked.
Exhaust fumes smelled in room, headaches.	Appliance is spilling.	<ul style="list-style-type: none"> - Ensure exhaust bracket gasket seal. - Check door seal and relief flap seal. - Check for chimney blockage. - Check that chimney is installed to building code. - Room is in negative pressure; increase fresh air supply. - Check cap gasket on the flue pipe assembly.
Remote wall switch is in 'OFF' position; main burner comes on when gas knob is turned to 'ON' position.	Wall switch is mounted upside down.	- Reverse.
	Remote wall switch is grounding.	- Replace.
	Remote wall switch wire is grounding.	- Check for ground (short); repair ground or replace wire.
	Faulty valve.	- Replace.

42.3_3

18.0 WARRANTY

NAPOLEON products are manufactured under the strict Standard of the world recognized ISO 9001 : 2008 Quality Assurance Certificate.

NAPOLEON products are designed with superior components and materials assembled by trained craftsmen who take great pride in their work. The burner and valve assembly are leak and test-fired at a quality test station. The complete appliance is again thoroughly inspected by a qualified technician before packaging to ensure that you, the customer, receives the quality product that you expect from NAPOLEON.

NAPOLEON GAS APPLIANCE PRESIDENT'S LIFETIME LIMITED WARRANTY

The following materials and workmanship in your new NAPOLEON gas appliance are warranted against defects for as long as you own the appliance. This covers: combustion chamber, heat exchanger, stainless steel burner, phazer™ logs and embers, rocks, ceramic glass (thermal breakage only), gold plated parts against tarnishing, porcelainized enameled components and aluminum extrusion trims.*

Electrical (110V and millivolt) components and wearable parts such as blowers, gas valves, thermal switch, switches, wiring, remote controls, ignitor, gasketing, and pilot assembly are covered and NAPOLEON will provide replacement parts free of charge during the first year of the limited warranty.*

Labour related to warranty repair is covered free of charge during the first year. Repair work, however, requires the prior approval of an authorized company official. Labour costs to the account of NAPOLEON are based on a predetermined rate schedule and any repair work must be done through an authorized NAPOLEON dealer.

* Construction of models vary. Warranty applies only to components included with your specific appliance.

CONDITIONS AND LIMITATIONS

NAPOLEON warrants its products against manufacturing defects to the original purchaser only. Registering your warranty is not necessary. Simply provide your proof of purchase along with the model and serial number to make a warranty claim. NAPOLEON reserves the right to have its representative inspect any product or part thereof prior to honouring any warranty claim. Provided that the purchase was made through an authorized NAPOLEON dealer your appliance is subject to the following conditions and limitations:

Warranty coverage begins on the date of original installation.

This factory warranty is non-transferable and may not be extended whatsoever by any of our representatives.

The gas appliance must be installed by a licensed, authorized service technician or contractor. Installation must be done in accordance with the installation instructions included with the product and all local and national building and fire codes.

This limited warranty does not cover damages caused by misuse, lack of maintenance, accident, alterations, abuse or neglect and parts installed from other manufacturers will nullify this warranty.

This limited warranty further does not cover any scratches, dents, corrosion or discoloring caused by excessive heat, abrasive and chemical cleaners nor chipping on porcelain enamel parts, mechanical breakage of PHAZER™ logs and embers.

This warranty extends to the repair or replacement of warranted parts which are defective in material or workmanship provided that the product has been operated in accordance with the operation instructions and under normal conditions.

After the first year, with respect to this President's Lifetime Limited Warranty, NAPOLEON may, at its discretion, fully discharge all obligations with respect to this warranty by refunding to the original warranted purchaser the wholesale price of any warranted but defective part(s).

NAPOLEON will not be responsible for installation, labour or any other expenses related to the reinstallation of a warranted part and such expenses are not covered by this warranty.

Notwithstanding any provisions contained in the President's Lifetime Limited Warranty, NAPOLEON'S responsibility under this warranty is defined as above and it shall not in any event extend to any incidental, consequential or indirect damages.

This warranty defines the obligations and liability of NAPOLEON with respect to the NAPOLEON gas appliance and any other warranties expressed or implied with respect to this product, its components or accessories are excluded.

NAPOLEON neither assumes, nor authorizes any third party to assume, on its behalf, any other liabilities with respect to the sale of this product.

NAPOLEON will not be responsible for: over-firing, downdrafts, spillage caused by environmental conditions such as rooftops, buildings, nearby trees, hills, mountains, inadequate vents or ventilation, excessive venting configurations, insufficient makeup air, or negative air pressures which may or may not be caused by mechanical systems such as exhaust fans, furnaces, clothes dryers, etc.

Any damages to the appliance, combustion chamber, heat exchanger, plated trim or other components due to water, weather damage, long periods of dampness, condensation, damaging chemicals or cleaners will not be the responsibility of NAPOLEON.

All parts replaced under the President's Limited Lifetime Warranty Policy are subject to a single claim.

During the first 10 years NAPOLEON will replace or repair the defective parts covered by the lifetime warranty at our discretion free of charge. From 10 years to life, NAPOLEON will provide replacement parts at 50% of the current retail price.

All parts replaced under the warranty will be covered for a period of 90 days from the date of their installation.

The manufacturer may require that defective parts or products be returned or that digital pictures be provided to support the claim. Returned products are to be shipped prepaid to the manufacturer for investigation. If a product is found to be defective, the manufacturer will repair or replace such defect.

Before shipping your appliance or defective components, your dealer must obtain an authorization number. Any merchandise shipped without authorization will be refused and returned to sender.

Shipping costs are not covered under this warranty.

Additional service fees may apply if you are seeking warranty service from a dealer.

Warranty labour allowance is only for the replacement of the warranted part. Travel, diagnostic tests, shipping and other related charges are not covered by this warranty.

ALL SPECIFICATIONS AND DESIGNS ARE SUBJECT TO CHANGE WITHOUT PRIOR NOTICE DUE TO ON-GOING PRODUCT IMPROVEMENTS. NAPOLEON IS A REGISTERED TRADEMARK OF WOLF STEEL LTD.

AS REQUIRED BY THE DEPARTMENT OF ENERGY IN THE UNITED STATES, 10 CFR PART 430, THE WARRANTY IS VOID IF THIS PRODUCT IS USED WITH A THERMOSTAT. THIS APPLIES TO PRODUCT INSTALLED IN THE UNITED STATES, ONLY.

Other Napoleon Products



Fireplace Inserts • Charcoal Grills • Gas Fireplaces • Waterfalls • Wood Stoves
Heating & Cooling • Electric Fireplaces • Outdoor Fireplaces • Gas Grills



24 Napoleon Road, Barrie, Ontario, Canada L4M 0G8
214 Bayview Drive, Barrie, Ontario, Canada L4N 4Y8
103 Miller Drive, Crittenden, Kentucky, USA 41030
7200 Trans Canada Highway, Montreal, Quebec, Canada H4T 1A3

Fireplaces / Heating & Cooling call: 705-721-1212 • Grills call: 705-726-4278
napoleonproducts.com

INSTALLATEUR : LAISSEZ CE MANUEL AVEC L'APPAREIL.
PROPRIÉTAIRE : CONSERVEZ CE MANUEL POUR CONSULTATION ULTÉRIEURE.
NE LAISSEZ PAS LES ENFANTS OU AUTRES INDIVIDUS À RISQUE SEULS À PROXIMITÉ DE L'APPAREIL.



INSTRUCTIONS D'INSTALLATION ET D'OPÉRATION

FR

HOMOLOGUÉ SELON LES NORMES NATIONALES CANADIENNES ET AMÉRICAINES, CSA 2.22, ANSI Z21.50 POUR LES APPAREILS DE GAZ VENTILÉS.

CERTIFIÉ POUR LE CANADA ET LES ÉTATS-UNIS SELON LES MÉTHODES ANSI/CSA.

CONSIGNES DE SÉCURITÉ

AVERTISSEMENT

Si ces instructions ne sont pas suivies à la lettre, un incendie ou une explosion pourraient s'ensuivre, causant des dommages matériels, des blessures corporelles ou des pertes de vie.

- N'entreposez pas et n'utilisez pas d'essence ou autres liquides et vapeurs inflammables à proximité de cet appareil ou tout autre appareil.
- QUE FAIRE SI VOUS DÉTECTEZ UNE ODEUR DE GAZ :
 - N'allumez aucun appareil.
 - Ne touchez à aucun interrupteur électrique; n'utilisez aucun téléphone dans votre immeuble.
 - Appelez immédiatement votre fournisseur de gaz d'un téléphone voisin. Suivez ses instructions.
 - Si vous ne pouvez pas rejoindre votre fournisseur de gaz, appelez le service des incendies.
- L'installation et l'entretien doivent être faits par un installateur qualifié, une agence d'entretien ou le fournisseur.

Cet appareil peut être installé dans une maison préfabriquée (mobile) déjà installée à demeure si les règlements locaux le permettent.

Cet appareil doit être utilisé uniquement avec le type de gaz indiqué sur la plaque signalétique. Cet appareil ne peut être converti à d'autres gaz, sauf si une trousse de conversion est utilisée.

Produit décoratif : Ne pas utiliser comme appareil de chauffage.

APPOSEZ L'ÉTIQUETTE DU NUMÉRO DE SÉRIE DU CARTON



ÉCRAN DE PROTECTION



Système de qualité certifié
ISO
9001-2008

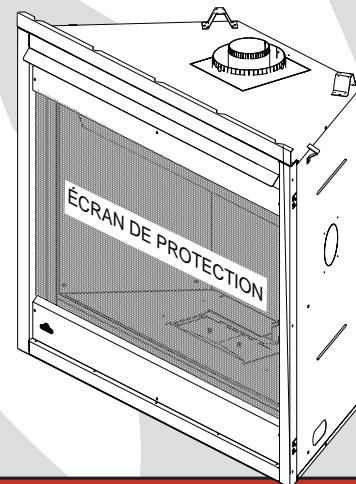


B46NTR / B46NTRE

MODÈLE AU GAZ NATUREL

B46PTR / B46PTRE

MODÈLE AU GAZ PROPANE



AVERTISSEMENT

LA VITRE CHAUDE CAUSERA DES BRÛLURES.

NE PAS TOUCHER LA VITRE AVANT QU'ELLE AIT REFROIDI.

NE JAMAIS LAISSER LES ENFANTS TOUCHER LA VITRE.

Une barrière conçue à réduire le risque de brûlures causées par le verre chaud est fourni avec l'appareil et sera installé pour la protection des enfants et d'autres personnes à risque.

Wolf Steel Ltd., 24 Napoleon Rd., Barrie, ON, L4M 0G8 Canada /
103 Miller Drive, Crittenden, Kentucky, USA, 41030

Téléphone 705-721-1212 • Télécopieur 705-722-6031 • www.napoleonfoyers.com • hearth@napoleonproducts.com

TABLE DES MATIÈRES

1.0	VUE D'ENSEMBLE DE L'INSTALLATION	75
2.0	INTRODUCTION	76
2.1	DIMENSIONS	77
2.2	INSTRUCTIONS GÉNÉRALES	78
2.3	INFORMATIONS GÉNÉRALES	79
2.4	INFORMATION À PROPOS DE LA PLAQUE D'HOMOLOGATION	80
3.0	ÉVACUATION	81
3.1	LONGUEURS DES CONDUITS D'ÉVACUATION ET COMPOSANTS	82
3.2	INSTALLATIONS TYPIQUES D'ÉVÉNEMENTS	83
3.3	INSTALLATIONS PARTICULIÈRES D'ÉVÉNEMENTS	85
3.3.1	ENSEMBLE PÉRISCOPIQUE	85
3.3.2	INSTALLATION EN COIN	85
3.4	EMPLACEMENTS ET DÉGAGEMENTS MINIMAUX DE LA TERMINAISON	86
3.5	CHARTRE D'APPLICATION DES ÉVACUATIONS	87
3.6	LÉGENDE	88
3.7	VALEURS DU COUDE EN LONGUEURS D'ÉVÉNEMENT	88
3.8	ÉVACUATION SUR LE DESSUS TERMINAISON VERTICALE	89
3.9	ÉVACUATION À L'ARRIÈRE TERMINAISON HORIZONTALE	91
3.10	ÉVACUATION SUR LE DESSUS OU À L'ARRIÈRE TERMINAISON VERTICALE	93
3.11	ÉVACUATION À L'ARRIÈRE	95
3.12	INSTALLATION DE DÉFLECTEUR ARRIÈRE	96
3.13	ÉVACUATION SUR LE DESSUS	97
4.0	INSTALLATION	98
4.1	PROTECTION DU MUR ET DU PLAFOND	98
4.1.1	INSTALLATION HORIZONTALE	99
4.1.2	INSTALLATION VERTICALE	99
4.2	UTILISATION DE COMPOSANTS FLEXIBLES D'ÉVACUATION	100
4.2.1	INSTALLATION DE LA TERMINAISON HORIZONTALE	100
4.2.2	INSTALLATION DE LA TERMINAISON VERTICALE	101
4.2.3	RACCORDEMENT DES ÉVÉNEMENTS À L'APPAREIL	101
4.3	UTILISATION DE COMPOSANTS RIGIDES D'ÉVACUATION	102
4.3.1	INSTALLATION DE LA TERMINAISON HORIZONTALE	102
4.3.2	INSTALLATION DE LA TERMINAISON VERTICALE	103
4.3.3	RESTREIGNANT DES ÉVÉNEMENTS VERTICAUX	103
4.4	TERMINAISON VERTICALE À TRAVERS UNE CHEMINÉE EXISTANTE	104
4.5	INSTALLATION DANS UNE MAISON MOBILE	105
4.6	BRANCHEMENT DU GAZ	106
4.7	INTERRUPTEUR MURAL OPTIONNEL	106
5.0	OSSATURE	107
5.1	DIMENSIONS MINIMALES DE L'OSSATURE	108
5.2	DÉGAGEMENTS MINIMAUX DE L'ENCEINTE	110
5.3	MATÉRIAU DE FINITION INCOMBUSTIBLE	114
5.4	INSTALLATION ENCADRÉE	115
5.5	INSTALLATION EN ALCÔVE	116
5.6	DÉGAGEMENTS MINIMAUX DE LA TABLETTE	116
6.0	FINITIONS	117
6.1	ENLÈVEMENT ET INSTALLATION DE LA PORTE ET L'ÉCRAN DE PROTECTION	117
6.2	L'AVANT HOTTE D'INSTALLATION	118
6.3	DISPOSITION DES BÛCHES	119
6.4	BRAISES INCANDESCENTES	120
6.5	MISE EN PLACE DU LOGO	120
6.6	INSTALLATION DU SAUVEGARDE DE PILE	121
6.7	INSTALLATION DE SOUFFLERIE OPTIONNEL	122
6.8	SCHÉMA DE CÂBLAGE	123
7.0	FONCTIONNEMENT (ÉLECTRONIQUE)	124
8.0	FONCTIONNEMENT (MILLIVOLT)	125
9.0	RÉGLAGES	126
9.1	RÉGLAGE DE LA VEILLEUSE	126
9.2	RÉGLAGE DU VENTURI	126
9.3	CARACTÉRISTIQUES DE LA FLAMME	127
9.4	INTERRUPTEUR CONTRE LA CONDENSATION (MODÈLES B46NTRE ET B46PTRE SEULEMENT)	127
10.0	ENTRETIEN	128
10.1	ENTRETIEN ANNUEL	129
10.2	REMPLACEMENT DE LA VITRE DE PORTE	130
10.3	SOINS DE LA VITRE	130
11.0	RECHANGES	131
12.0	VUE D'ENSEMBLE	132
13.0	L'ASSEMBLAGE DE LA SOUPAPE DE ÉLECTRONIQUE	133
14.0	L'ASSEMBLAGE DE LA SOUPAPE DE MILLIVOLT	134
15.0	ACCESSOIRES	135
16.0	GUIDE DE DÉPANNAGE (ÉLECTRONIQUE)	136
17.0	GUIDE DE DÉPANNAGE (MILLIVOLT)	139
18.0	GARANTIE	142
19.0	HISTORIQUE D'ENTRETIEN	143

NOTE : Les modifications, autres qu'éditoriales, sont indiquées par une ligne verticale dans la marge.

1.0 VUE D'ENSEMBLE DE L'INSTALLATION

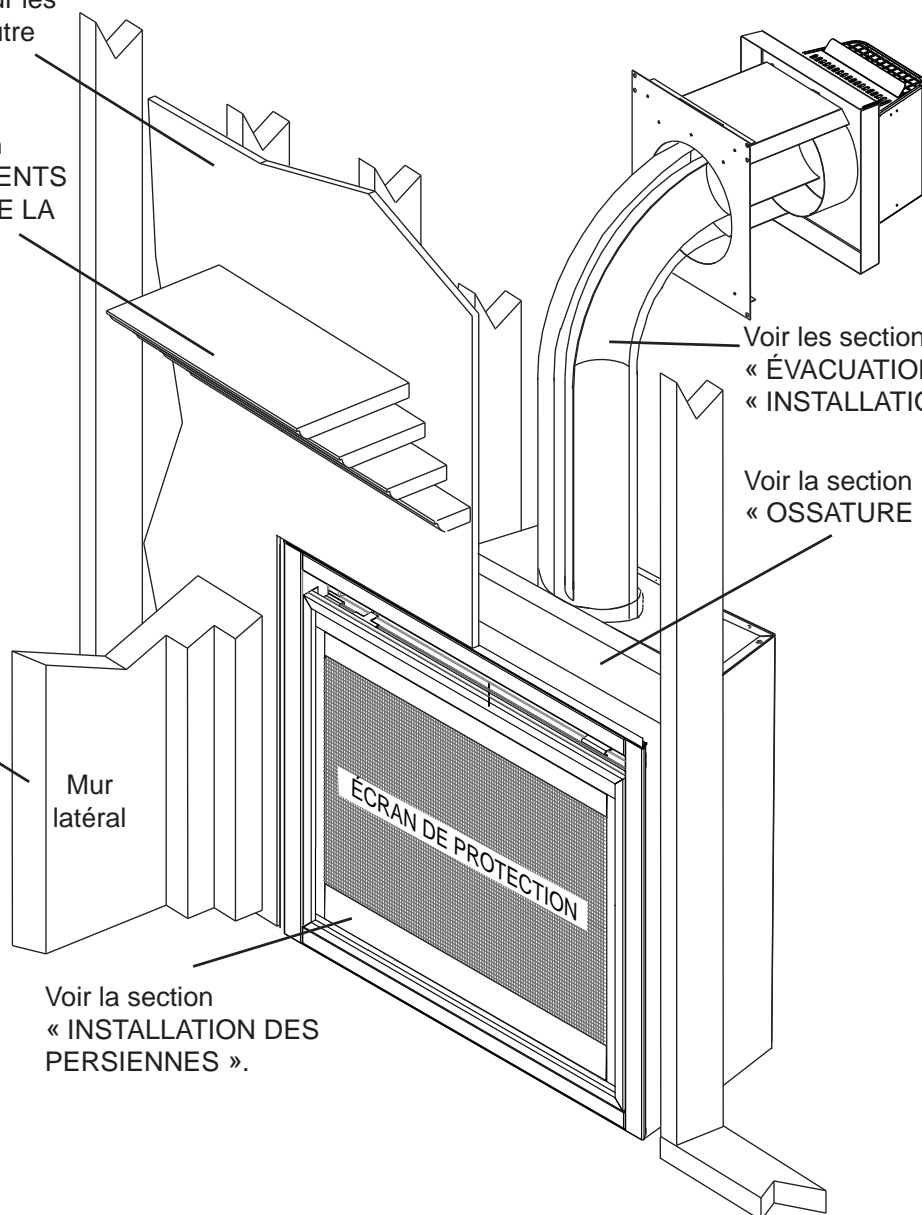
Voir la section
« DÉGAGEMENTS MINIMAUX
DE L'ENCEINTE » pour les
cloisons sèches (ou autre
matériau combustible).

Voir la section
« DÉGAGEMENTS
MINIMAUX DE LA
TABLETTE ».

Voir les sections
« ÉVACUATION » et
« INSTALLATION ».

Voir la section
« OSSATURE ».

Voir la section
« OSSATURE ».



Voir la section
« INSTALLATION DES
PERSIENNES ».

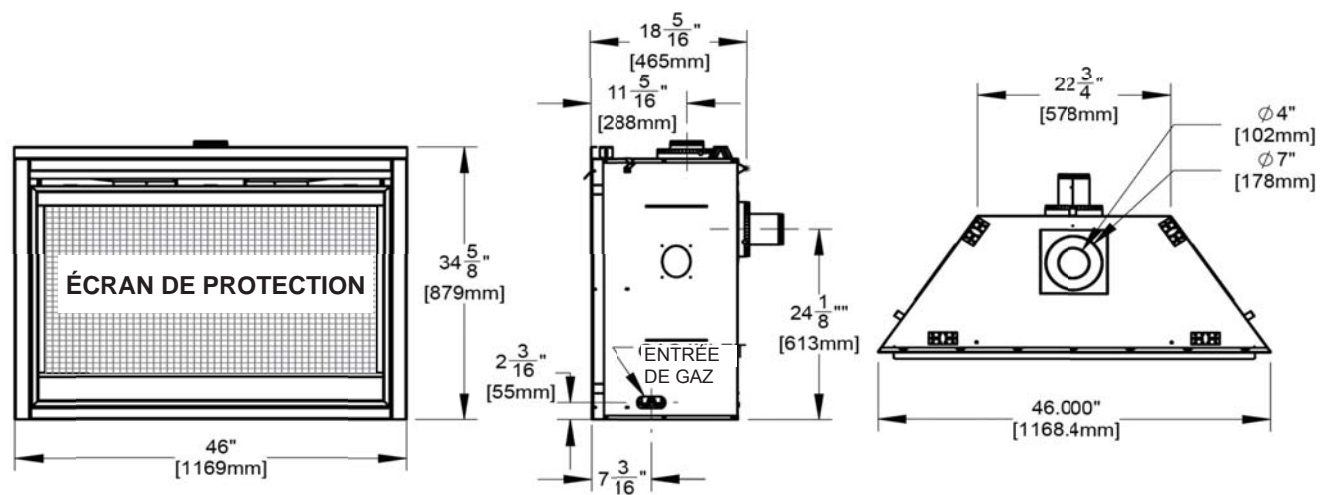


Les piles doivent être mises au rebut conformément aux lois et à la réglementation locales. Certaines piles peuvent être recyclées et acceptées dans votre centre de recyclage local. Renseignez-vous auprès de votre municipalité au sujet des directives de recyclage.

! AVERTISSEMENT

- **CET APPAREIL EST CHAUD LORSQU'IL FONCTIONNE ET PEUT CAUSER DE GRAVES BRÛLURES EN CAS DE CONTACT.**
- **TOUTE MODIFICATION APPORTÉE À CET APPAREIL OU AUX CONTRÔLES PEUT ÊTRE DANGEREUX ET EST INTERDIT.**
- Ne faites pas fonctionner l'appareil avant d'avoir lu et compris les instructions d'opération. Omettre d'utiliser l'appareil selon les instructions d'opération pourrait causer un incendie ou des blessures.
- Risque d'incendie ou d'asphyxie. Ne faites pas fonctionner l'appareil avec la vitre retirée.
- Ne branchez pas la soupape à du courant 110 volts.
- Risque de brûlures. L'appareil doit être éteint et refroidi avant d'effectuer un entretien.
- N'installez pas de composants endommagés ou incomplets ni des composants substitués.
- Risque de coupures et d'éraflures. Portez des gants protecteurs et des lunettes de sécurité lors de l'installation. Les bordures des pièces de métal peuvent être coupantes.
- Ne brûlez pas de bois ou autres matériaux dans cet appareil.
- **Les enfants et les adultes devraient être informés des dangers que posent les températures de surface élevées et se tenir à distance afin d'éviter des brûlures ou que leurs vêtements ne s'enflamment.**
- **Les jeunes enfants doivent être supervisés attentivement lorsqu'ils sont dans la même pièce que l'appareil. Les jeunes enfants et autres personnes sont sujets aux brûlures accidentelles. Une barrière de protection est recommandée si des individus à risque se trouvent dans la maison. Afin de restreindre l'accès à l'appareil, installez une barrière de protection ajustable pour garder les jeunes enfants ou autres personnes à risque hors de la pièce et loin des surfaces chaudes.**
- **Les vêtements et autres matériaux combustibles ne doivent pas être posés sur l'appareil ou à proximité.**
- **En raison des températures élevées, l'appareil devrait être placé loin des endroits passants et loin des meubles et des rideaux.**
- Assurez-vous de disposer de mesures de sécurité adéquates pour empêcher les jeunes enfants de toucher aux surfaces chaudes.
- Même une fois que l'appareil est éteint, la vitre et/ou le pare-étincelles demeureront chauds pendant un temps prolongé.
- Consultez votre détaillant local de foyer pour connaître les grillages de sécurité et les écrans offerts pour protéger les enfants des surfaces chaudes. Ces grillages de sécurité et ces écrans doivent être fixés au plancher.
- **Tout grillage de sécurité, écrans ou barrière enlevés pour faire l'entretien devront être remis en place avant d'utiliser l'appareil.**
- Cet appareil est un appareil à gaz ventilé. Ne brûlez pas de bois ou autres matériaux dans cet appareil.
- Il est primordial de garder propres les compartiments de contrôle, les brûleurs, la soufflerie, les bouches d'air de l'appareil ainsi que le système d'évacuation. L'appareil et son système d'évacuation doivent être inspectés avant la première utilisation et au moins une fois l'an par un spécialiste en entretien. Un entretien plus fréquent pourrait être nécessaire en raison des peluches provenant des tapis, literie, etc. L'emplacement de l'appareil doit être gardé libre de tous matériaux combustibles, essence ou autres liquides et vapeurs inflammables.
- Cet appareil ne devra être modifié en aucun cas.
- Cet appareil ne doit pas être raccordé au conduit d'une cheminée desservant un autre appareil de chauffage à combustible solide.
- N'utilisez pas cet appareil si une partie quelconque a été submergée. Contactez immédiatement un technicien de service qualifié pour inspecter l'appareil et pour remplacer toute pièce du système de contrôle et du contrôle du gaz qui aurait été submergée.
- Ne pas opérer l'appareil lorsque la porte vitrée est enlevée, fissurée ou brisée. Le remplacement de la vitre devra être effectué par un technicien de service certifié ou qualifié.
- Ne frappez pas et ne claquez pas la porte vitrée de l'appareil.
- Lorsque l'appareil est muni de portes d'évacuation de pression, elles doivent demeurer fermées pendant le fonctionnement de l'appareil afin d'empêcher les gaz de combustion contenant du monoxyde de carbone de s'infiltrer dans la maison.
- **Seules les portes/façades certifiées pour cet appareil peuvent être utilisées avec cet appareil.**
- Gardez les matériaux d'emballage hors de la portée des enfants et mettez ces matériaux au rebut de façon sécuritaire. Comme tous les emballages de plastique, ces matériaux ne sont pas des jouets et doivent demeurer hors de la portée des enfants et des bébés.
- Comme dans le cas de tout appareil à combustion, il est recommandé de faire inspecter et entretenir votre appareil régulièrement. De même, installez un détecteur de monoxyde de carbone dans la pièce pour vous protéger, ainsi que votre famille, contre les intoxications.
- Assurez-vous de respecter les dégagements aux matériaux combustibles lorsque vous installez un manteau ou des tablettes au-dessus de l'appareil. Les téléviseurs et autres composants électroniques soumis à des températures élevées peuvent fondre, se déformer, se décolorer et entraîner des défaillances prématurées de ces appareils.
- Cet appareil utilise et requiert un thermocouple à action rapide. Remplacez uniquement par un thermocouple à action rapide de Wolf Steel Itée.
- **Une barrière conçu à réduire le risque de brûlures causées par le verre chaud est fourni avec l'appareil et sera installé.**
- **Si la barrière est endommagée, elle devra être remplacée par la barrière conçu par le fabricant pour cet appareil.**
- **L'installation et la réparation devraient être effectuées par un technicien qualifié. L'appareil et son système d'évacuation devraient être inspectés avant l'utilisation initiale et au moins une fois l'an par un professionnel qualifié. Un nettoyage plus réquent peut être requis en raison de la poussière excessive laissée par les moquettes, les couvertures, etc. Il est impératif que les compartiments de contrôle, le brûleur et les passages de circulation d'air soient gardés propres afin de fournir une combustion et une circulation d'air adéquates.**

2.1 DIMENSIONS



! AVERTISSEMENT

ALLUMEZ TOUJOURS LA VEILLEUSE, QUE CE SOIT POUR LA PREMIÈRE FOIS OU LORSQUE L'APPROVISIONNEMENT EN GAZ EST ÉPUISÉ, AVEC LA PORTE VITRÉE OUVERTE OU RETIRÉE.

PRÉVOYEZ UN ACCÈS SUFFISANT POUR ENTREtenir ET OPÉRER L'APPAREIL. ASSUREZ-VOUS D'UNE QUANTITÉ SUFFISANTE D'AIR DE VENTILATION.

N'OBSTRUEZ JAMAIS L'OUVERTURE DE L'APPAREIL.

LES OBJETS PLACÉS DEVANT L'APPAREIL DOIVENT ÊTRE GARDÉS À UNE DISTANCE D'AU MOINS 48" (1219.2mm) DE LA FACE VITRÉE DE L'APPAREIL.

LES SURFACES AUTOUR ET SURTOUT AU-DESSUS DE L'APPAREIL PEUVENT DEVENIR CHAUDES. NE TOUCHEZ PAS L'APPAREIL QUAND IL FONCTIONNE.

RISQUE D'INCENDIE OU D'EXPLOSION.

LES PRESSIONS ÉLEVÉES ENDOMMAGERONT LA SOUPAPE. L'ALIMENTATION EN GAZ DOIT ÊTRE DÉBRANCHÉE PENDANT LES ESSAIS DE PRESSION DE CE SYSTÈME LORSQUE LES PRESSIONS D'ESSAI EXCÈDENT ½ LB/PO² (3,5 KPA). FERMEZ LA SOUPAPE D'ARRÊT MANUELLE PENDANT TOUT ESSAI DE PRESSION DU SYSTÈME D'ALIMENTATION EN GAZ LORSQUE LA PRESSION EST DE ½ LB/PO² (3,5 mb) OU MOINS.

N'UTILISEZ QUE LES ACCESSOIRES OPTIONNELS ET LES PIÈCES DE RECHANGE APPROUVÉS PAR WOLF STEEL POUR CET APPAREIL. L'UTILISATION D'ACCESSOIRES NON LISTÉS (SOUFFLERIE, PORTES, PERSIENNES, MOULURES, COMPOSANTS DE GAZ, COMPOSANTS D'ÉVACUATION, ETC.) POURRAIT ÊTRE NON SÉCURITAIRE ET ANNULERA LA GARANTIE ET LA CERTIFICATION.

CET APPAREIL AU GAZ DEVRAIT ÊTRE INSTALLÉ ET ENTRETENU PAR UN INSTALLATEUR QUALIFIÉ en se conformant aux codes locaux. Les pratiques d'installation peuvent varier d'une région à l'autre. Il est donc important de connaître les normes spécifiques qui s'appliquent à votre région. Par exemple dans l'état du Massachusetts:

- Ce produit doit être installé par un plombier certifié ou un installateur pour le gaz lorsque installé dans le Commonwealth du Massachusetts.
- Le registre de l'appareil doit être enlevé ou bloqué en le soudant en position ouverte avant d'installer un encastré ou un ensemble de bûches à gaz.
- La soupape d'arrêt doit être un robinet à gaz avec une poignée en T.
- Le raccord flexible ne doit pas mesurer plus que 36 pouces (914.4mm).
- Un détecteur de monoxyde de carbone est requis dans toutes les pièces contenant des appareils alimentés au gaz.
- L'appareil n'est pas approuvé pour installation dans une chambre à coucher ou une salle de bain à moins d'être un appareil avec une chambre de combustion scellée à évacuation directe.

L'installation doit se conformer aux codes locaux. En l'absence de codes locaux, l'installation doit être conforme au Code d'installation du gaz naturel et du propane CSA B149.1 au Canada ou au National Fuel Gas Code, ANSI Z223.1/ NFPA 54 aux États-Unis. Cet appareil convient pour installation dans une maison mobile si l'installation est conforme aux normes actuelles pour les maisons mobiles équipées au gaz CAN/CSA Z240 SÉRIE MM au Canada ou selon les normes ANSI Z223.1 et NFPA 54 aux États-Unis.

Tant que les distances requises pour les dégagements aux matériaux combustibles sont respectées, le meilleur endroit pour un appareil est le centre de la maison, car ceci permet une meilleure utilisation de la chaleur fournie. L'emplacement des fenêtres, des portes et la circulation dans la pièce où se trouve l'appareil devront être pris en considération. Si possible, vous devriez choisir un emplacement où le système d'évent peut passer à travers la maison sans avoir à découper des solives de plancher ou de toit.

Si l'appareil est installé directement sur un tapis, sur une surface de vinyle ou tout autre revêtement de plancher combustible autre que le bois, l'appareil devra être monté sur un panneau continu de métal ou de bois se prolongeant sur toute la largeur et la profondeur.

Certains appareils ont une soufflerie ou un ensemble de deux souffleries optionnel. Si la soufflerie ou l'ensemble de deux souffleries optionnel est installé, la boîte de dérivation doit être branchée au circuit électrique et mise à la terre conformément aux codes locaux. Utilisez la version courante du Code canadien de l'électricité CSA C22.1 au Canada ou le National Electrical Code ANSI/NFPA 70 aux États-Unis.

**NATIONAL
FIREPLACE
INSTITUTE**



CERTIFIED
www.nficertified.org

Nous suggérons que nos appareils au gaz soient installés et que l'entretien soit effectué par des professionnels certifiés par le National Fireplace Institute® (NFI) comme spécialiste du gaz NFI.

2.3 INFORMATIONS GÉNÉRALES

POUR VOTRE SATISFACTION, CET APPAREIL A ÉTÉ MIS À L'ESSAI POUR CONFIRMER SON FONCTIONNEMENT ET SA QUALITÉ!

RENDEMENTS ET EFFICACITÉS		
	GN	PL
Altitude (PI)	0-4,500	0-4,500
Débit max. (BTU/H)	22,000	22,000
Pression minimale d'alimentation en gaz	4,5" (11mb) de co-lonne d'eau	11" (27mb) de colonne d'eau
Pression maximale d'alimentation en gaz	7" (17mb) de colonne d'eau	13" (32mb) de colonne d'eau
Pression au collecteur (lorsque le gaz circule)	3,5" (9mb) de co-lonne d'eau	10" (25mb) de colonne d'eau

DÉSIGNATIONS DES MODÈLES DE B46		
	TYPE DE CARBURANT	SYSTÈME D'OPÉRATION
B46NTR	NATUREL	MILLIVOLT
B46NTRE	NATUREL	ALLUMAGE ÉLECTRONIQUE
B46PTR	PROPANE	MILLIVOLT
B46PTRE	PROPANE	ALLUMAGE ÉLECTRONIQUE

Cet appareil est approuvé pour installation dans les salles de bain, les chambres à coucher ou les chambres studio et convient pour installation dans les maisons mobiles.

MODÈLES B46NTR ET B46PTR SEULEMENT : Aucune alimentation électrique externe (110 volts ou 24 volts) n'est requise pour le fonctionnement du système.

Les bruits causés par l'expansion et la contraction lors des cycles de chauffage et de refroidissement sont tout à fait normaux et il faut s'y attendre.

3.0 ÉVACUATION

AVERTISSEMENT

RISQUE D'INCENDIE. CONSERVEZ LES DÉGAGEMENTS NÉCESSAIRES AU CONDUIT D'ÉVENT ET À L'APPAREIL.

SI LE SYSTÈME D'ÉVENT EST FOURNI AVEC DES ESPACEURS, LES COURSES HORIZONTALES ET VERTICALES DU SYSTÈME DOIVENT ÊTRE SUPPORTÉES À TOUS LES 3 PI (0,9m). UTILISEZ DES SUPPORTS OU DES ATTACHES INCOMBUSTIBLES ÉQUIVALENTS AFIN DE MAINTENIR LE DÉGAGEMENT AUX MATÉRIAUX COMBUSTIBLES. UTILISEZ L'ENSEMBLE DE SUPPORT MURAL WOLF STEEL W010-0370 OU DES SUPPORTS INCOMBUSTIBLES ÉQUIVALENTS AFIN DE CONSERVER LE DÉGAGEMENT MINIMAL AUX MATÉRIAUX COMBUSTIBLES POUR LES COURSES VERTICALES ET HORIZONTALES. DES ESPACEURS SONT FIXÉS AU CONDUIT INTÉRIEUR À INTERVALLES PRÉDÉTERMINÉS AFIN DE GARDER UN ESPACE VIDE AVEC LE CONDUIT EXTÉRIEUR. POUR QUE LE FONCTIONNEMENT SOIT SÉCURITAIRE, UN ESPACE VIDE EST REQUIS. UN ESPACEUR EST REQUIS AU DÉBUT, AU MILIEU ET À LA FIN DE CHAQUE COUDE AFIN DE MAINTENIR CET ESPACE VIDE. N'ENLEVEZ PAS CES ESPACEURS.

CET APPAREIL UTILISE UN SYSTÈME DE CONDUITS DE 4" (102mm) POUR L'ÉVACUATION ET DE 7" (178mm) POUR LA PRISE D'AIR.

Veillez consulter la section qui correspond à votre installation.

Afin d'assurer un fonctionnement sécuritaire et adéquat de l'appareil, vous devez observer les instructions d'évacuation à la lettre. Un changement à la longueur verticale minimale de l'évacuation pourrait entraîner des problèmes d'allumage du brûleur et/ou des accumulations de carbone. Sous des configurations d'évacuation extrêmes, allouez de 5 à 15 minutes pour que la flamme se stabilise après l'allumage. Il est suggéré fortement de les événements qui passent à travers des espaces non chauffés (greniers, garages, espaces réduits) devraient être recouverts d'un manchon isolant pour minimiser la condensation. Prévoyez un moyen d'inspecter visuellement le raccord des événements à l'appareil après que ce dernier a été installé. Utilisez un espaceur coupe-feu, un protecteur de conduit d'évacuation ou un écran thermique de grenier lorsque les murs intérieurs, le plancher ou le plafond sont traversés.

La terminaison peut être peinte avec une peinture haute température pour faire correspondre les couleurs extérieures. Utilisez une peinture extérieure pour 400°F (200°C).

NOTE : Si, pour une raison quelconque, le système d'évents de prise d'air est démonté, réinstallez-le selon les instructions fournies dans l'installation initiale.

3.1 LONGUEURS DES CONDUITS D'ÉVACUATION ET COMPOSANTS

Utilisez uniquement des composants d'évacuation Wolf Steel, Simpson Dura-Vent, Selkirk Direct Temp, American Metal Amerivent ou Metal-Fab. Les minimums et maximums des longueurs d'évent, pour les installations verticales et horizontales, et les emplacements des terminaisons pour les deux systèmes sont précisés dans ce manuel et doivent être respectés. Pour le Simpson Duravent, le Selkirk Direct Temp, l'American Metal Amerivent et le Metal-Fab, suivez la procédure d'installation fournie avec les composants d'évacuation.

Un adaptateur de départ est nécessaire et peut être acheté chez le fournisseur correspondant :

PIÈCE	4"17"	FOURNISSEUR	SITE WEB
Duravent	W175-0053	Wolf Steel	www.duravent.com
Amerivent	4DSC-N2	American Metal	www.americanmetalproducts.com
Direct Temp	4DT-AAN	Selkirk	www.selkirkcorp.com
SuperSeal	4DNA	Metal-Fab	www.mtlfab.com

Pour le Simpson Dura-Vent, le Selkirk Direct Temp, l'American Metal Amerivent et le Metal-Fab, suivez la procédure d'installation qui se trouve sur le site Web de votre fournisseur.

Pour les systèmes d'évents dont le conduit intérieur d'évacuation possède déjà des joints scellés, seuls les joints du conduit extérieur de prise d'air doivent être scellés avec un scellant de silicone rouge à haute température (RTV). Ce même scellant peut être utilisé sur les joints des conduits intérieurs et extérieurs de tous les autres systèmes d'évents approuvés à l'exception du raccordement du conduit d'évacuation à la buse du foyer qui doit être scellé avec le scellant noir à haute température Mill Pac. Le scellant à haute température doit être commandé séparément.

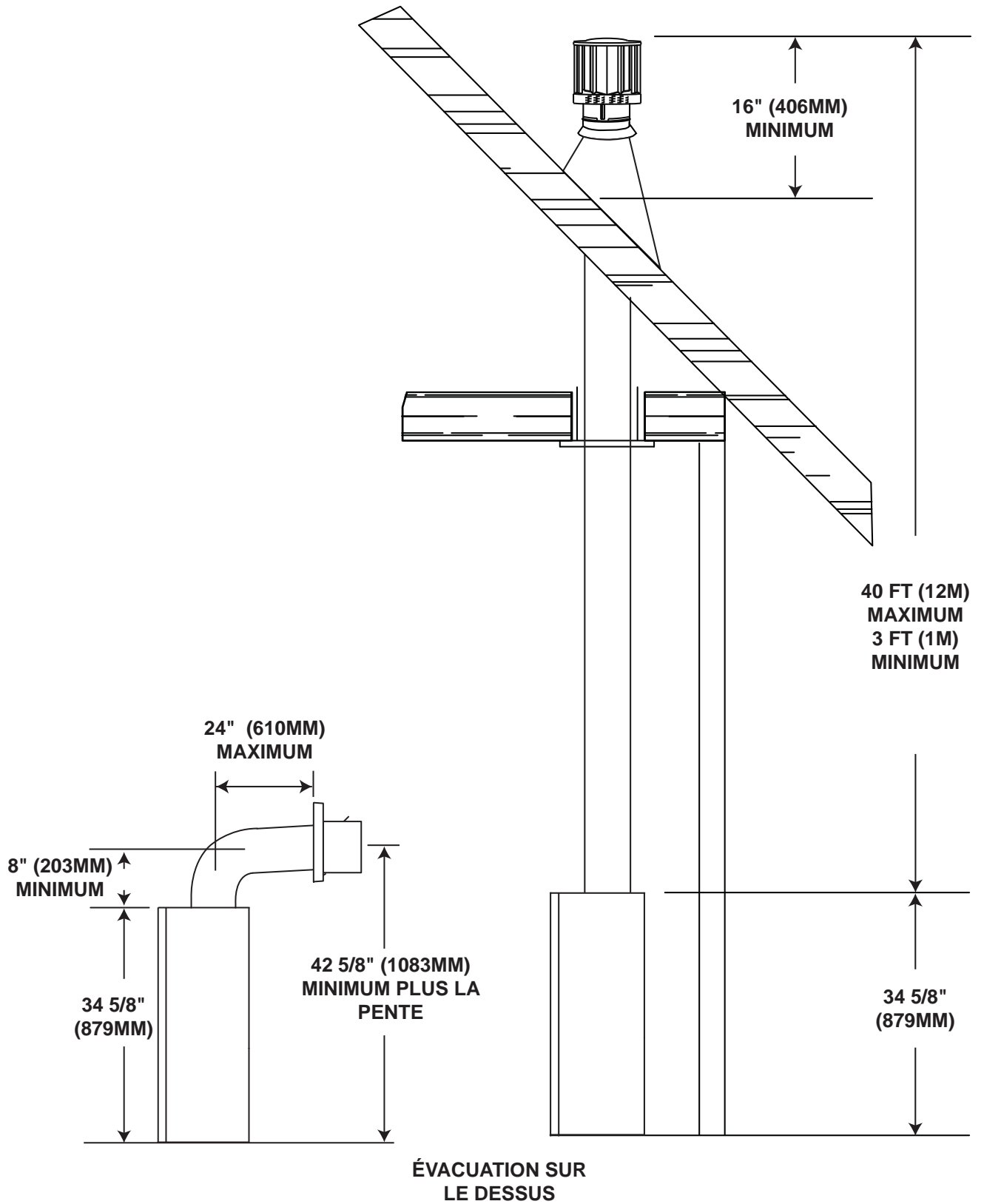
Lorsque vous utilisez des composants d'évacuation Napoléon®, n'utilisez que des composants flexibles/rigides d'évacuation Wolf Steel Itée conjointement avec les ensembles de terminaison suivants : les ensembles de terminaison murale **GD222**, **GD222R**, ou l'ensemble de terminaison pour toit de pente 1/12 à 7/12 **GD110**, l'ensemble de terminaison pour toit de pente 8/12 à 12/12 **GD111**, l'ensemble de terminaison pour toit plat **GD112** ou l'ensemble périscopique **GD201** (pour pénétration des murs sous le niveau du sol). Lorsque vous utilisez des conduits flexibles, conjointement avec les différentes terminaisons, utilisez l'ensemble d'évents de 5PI (1,5m) **GD220** ou l'ensemble d'évents de 10PI (3,1m) **GD330**.

Pour une performance optimale de l'appareil et une apparence optimale des flammes, gardez la longueur des événements et le nombre de coudes au minimum. La prise d'air de la terminaison extérieure doit demeurer dégagée en tout temps. Vérifiez la prise d'air de la terminaison au moins une fois l'an pour vous assurer qu'elle n'est pas obstruée ni endommagée.

Ne combinez pas de composants rigides ou flexibles ni de composants d'évacuation provenant de fabricants différents.

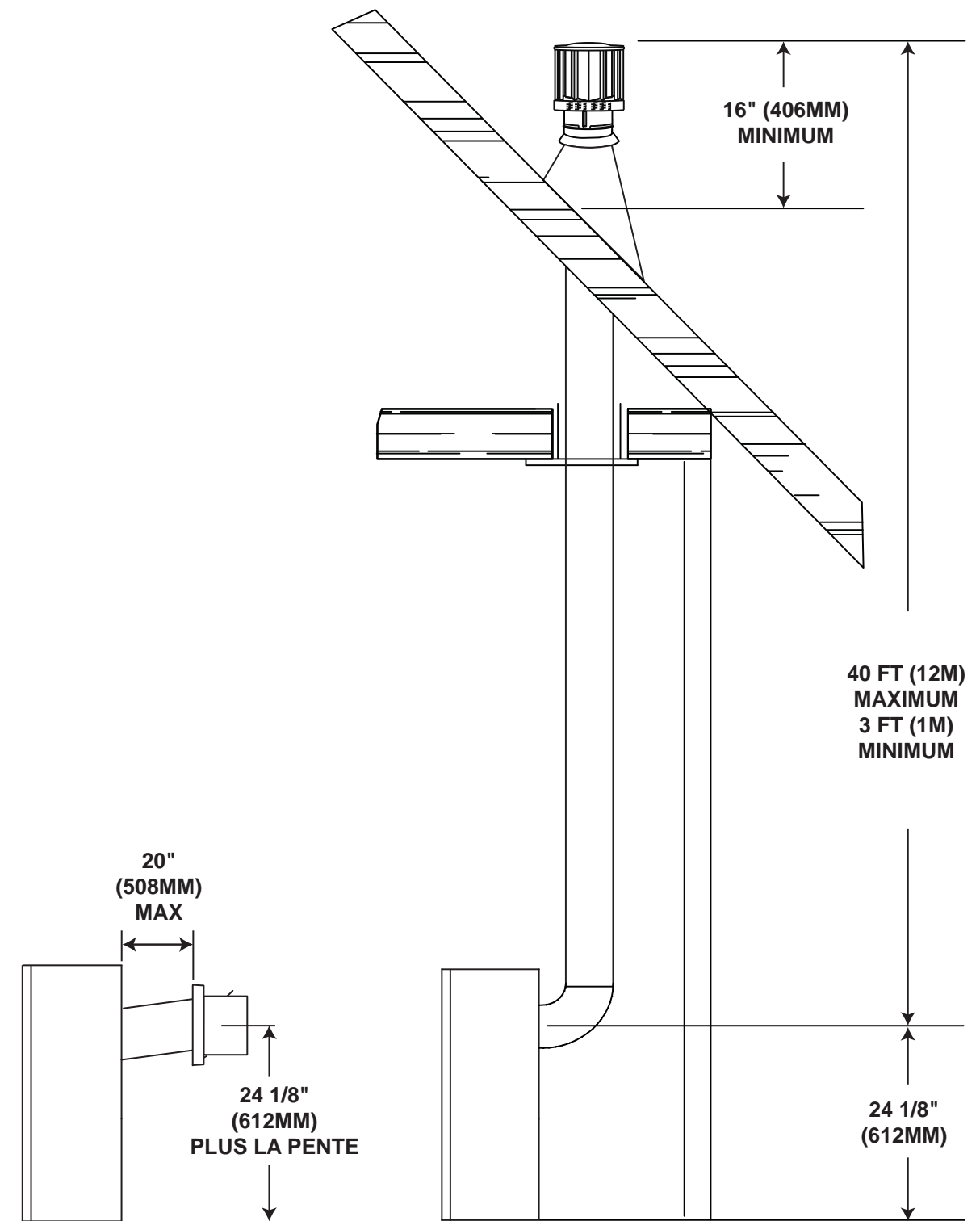
Ces ensembles d'évents permettent soit une évacuation verticale, soit une évacuation horizontale de l'appareil. La course horizontale doit être conservée à un maximum de 20PI (6,1m). La hauteur totale permise pour un événement vertical est de 40PI (12,2m). Lorsque vous utilisez des composants flexibles, le nombre maximal de raccordements est de deux horizontalement ou trois verticalement (excluant les raccordements à l'appareil et à la section de terminaison).

3.2 INSTALLATIONS TYPIQUES D'ÉVENTS



FR

* Voir la section « ÉVACUATION »



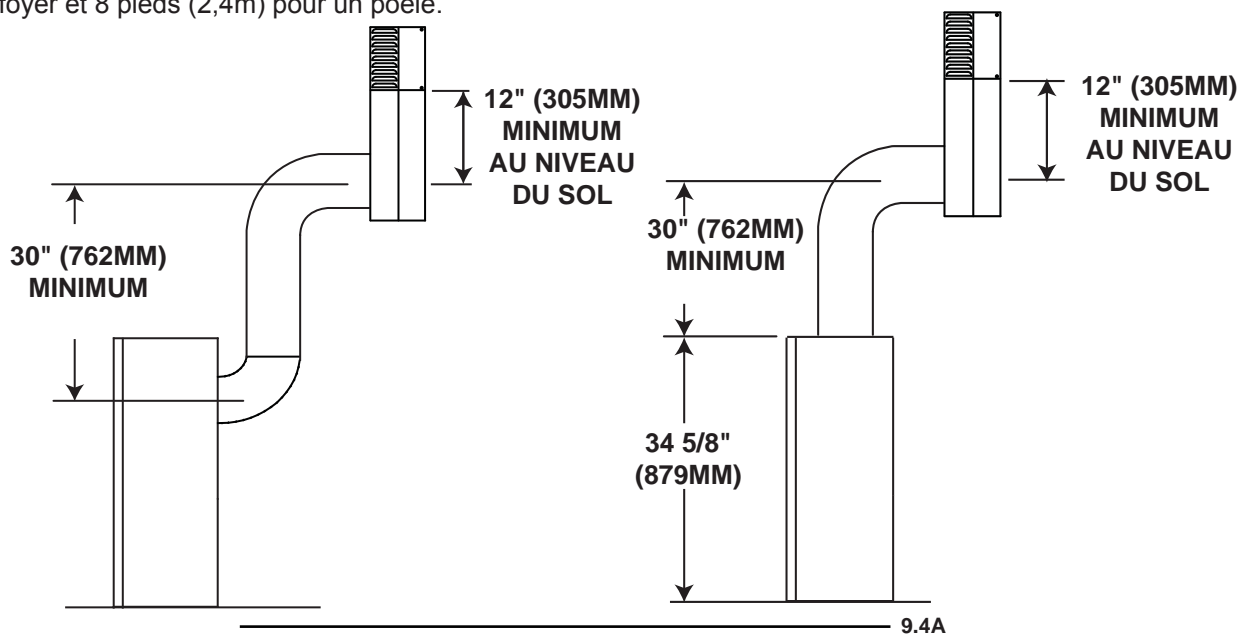
**ÉVACUATION SUR
L'ARRIÈRE**

* Voir la section « ÉVACUATION »

3.3 INSTALLATIONS PARTICULIÈRES D'ÉVENTS

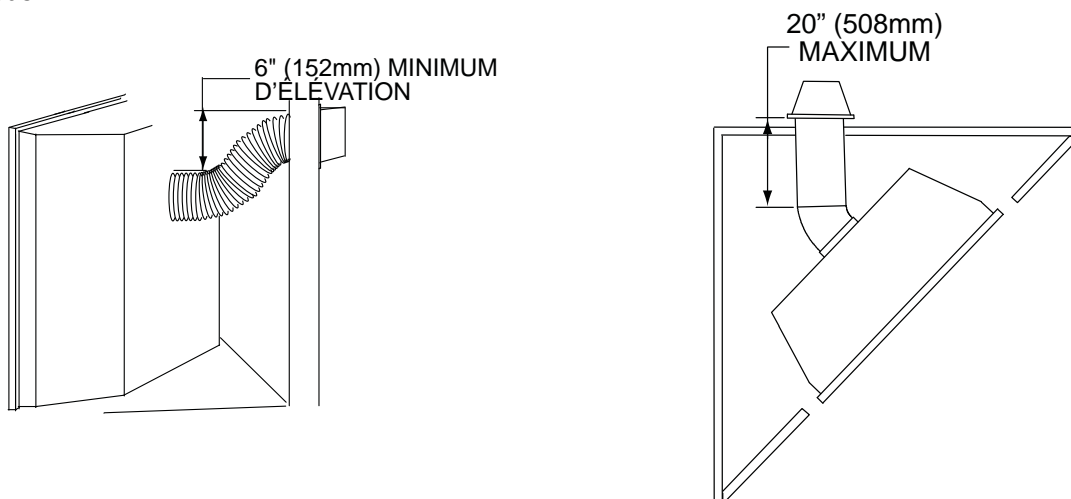
3.3.1 ENSEMBLE PÉRISCOPIQUE

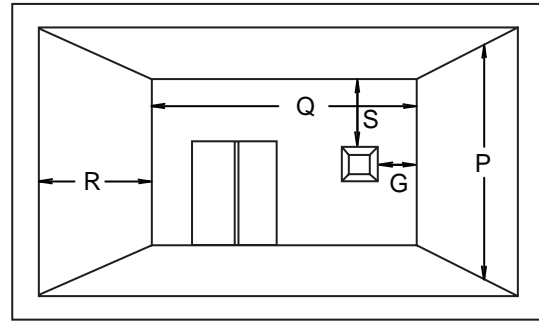
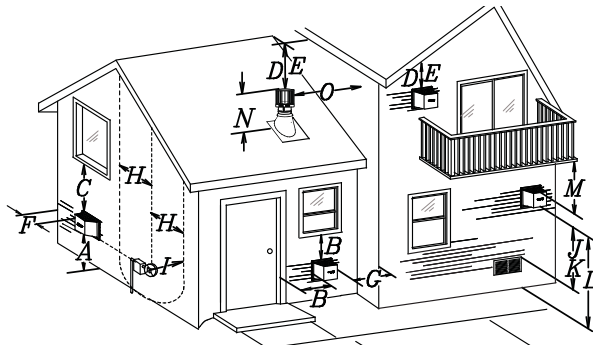
Utilisez l'ensemble périscopique afin de positionner la terminaison au-dessus du niveau du sol. L'ensemble périscopique doit être installé de façon à ce que la fente d'air du bas soit située à un minimum de 12 pouces (304,8mm) au-dessus du niveau du sol. La longueur maximale permise de l'évent est de 10 pieds (3,1m) pour un foyer et 8 pieds (2,4m) pour un poêle.



3.3.2 INSTALLATION EN COIN

Lorsque l'évent est installé en coin, la longueur maximale du conduit d'évacuation est de 20" (508mm) de course horizontale, en plus de la déviation de 45°. Dans ce cas, une pente de zéro pouce est acceptable. Cependant, il est conseillé de conserver une pente ascendante de 6" (152mm). Voir les illustrations ci-dessous:





$Q_{\text{MIN}} = 3 \text{ pieds}$ (0,9m)	$R_{\text{MAX}} = 2 \times Q_{\text{RÉELLE}}$	$R_{\text{MAX}} \leq 15 \text{ pieds}$ (4,6m)
--	---	--

	INSTALLATION		
	CANADA	É.-U.	
A	12" (304,8mm)	12" (304,8mm)	Dégagement au-dessus du sol, d'une véranda, d'une terrasse en bois ou d'un balcon.
B	12" (304,8mm) ^Δ	9" (228,6mm) ^Δ	Dégagement des fenêtres ou des portes qui ouvrent.
C	12" (304,8mm)*	12" (304,8mm)*	Dégagement des fenêtres fermées en permanence.
D	18" (457,2mm)**	18" (457,2mm)**	Dégagement vertical d'un soffite ventilé situé au-dessus de la terminaison si la distance horizontale est de moins de 2' (0,6m) de la ligne médiane de la terminaison.
E	12" (304,8mm)**	12" (304,8mm)**	Dégagement d'un soffite non ventilé.
F	0" (0mm)	0" (0mm)	Dégagement des murs faisant coin extérieur.
G	0" (0mm)***	0" (0mm)***	Dégagement des murs extérieurs incombustibles faisant coin intérieur ou aux obstructions incombustibles (cheminée, etc.).
	2" (50,8mm)***	2" (50,8mm)***	Dégagement des murs extérieurs combustibles faisant coin intérieur ou aux obstructions combustibles (habillage extérieur, etc.).
H	3' (0,9m)	3' (0,9m)****	Dégagement horizontal de chaque côté depuis la ligne verticale tirée du centre d'un ensemble de régulateur/compteur pour une distance verticale maximale de 15' (4,6m).
I	3' (0,9m)	3' (0,9m)****	Dégagement de l'évent du régulateur.
J	12" (304,8mm)	9" (228,6mm)	Dégagement d'une prise d'air de ventilation non mécanique de la maison ou d'une prise d'air de combustion de tout autre appareil.
K	6' (1,8m)	3' (0,9m) †	Dégagement d'une prise d'air mécanique.
L	7' (2,1m) ‡	7' (2,1m) ****	Dégagement au-dessus d'un trottoir ou d'une entrée pavée situés sur une propriété publique.
M	12" (304,8mm) ††	12" (304,8mm)****	Dégagement sous une véranda ou une terrasse en bois.
N	16" (406,4mm)	16" (406,4mm)	Dégagement au-dessus du toit.
O	2' (0,6m) †*	2' (0,6m) †*	Dégagement des murs adjacents, incluant les maisons voisines.
P	8' (2,4m)	8' (2,4m)	Le toit doit être incombustible et sans ouvertures.
Q	3' (0,9m)	3' (0,9m)	Voir le tableau pour les dimensions d'un mur plus large
R	6' (1,8m)	6' (1,8m)	Voir le tableau pour les dimensions d'un mur plus profond. La terminaison ne doit pas être installée sur quelconque mur ayant une ouverture entre la terminaison et le côté ouvert de la structure.
S	12" (304,8mm)	12" (304,8mm)	Dégagement sous un balcon couvert.

Δ Pour les structures comportant trois murs et un toit, la terminaison doit être située à plus de 6 pieds (1,8m) sous une fenêtre s'ouvrant sur un plan horizontal.

* Recommandé afin de prévenir la formation de buée dans les fenêtres et les cassures thermiques.

** Il est recommandé d'utiliser un protecteur de chaleur et de maximiser la distance au soffite de plastique.

*** L'ensemble périscopique requiert un dégagement minimal de 18 pouces (457,2m) d'un mur extérieur faisant coin intérieur.

**** Ceci est une distance recommandée. Vérifiez les codes locaux pour connaître les contraintes additionnelles.

† Trois pieds au-dessus si la distance horizontale est de moins de 10 pieds (3,1m).

‡ Une terminaison d'évacuation ne doit pas être installée à un endroit où elle pourrait causer une formation dangereuse de givre ou de glace sur les surfaces d'une propriété adjacente.

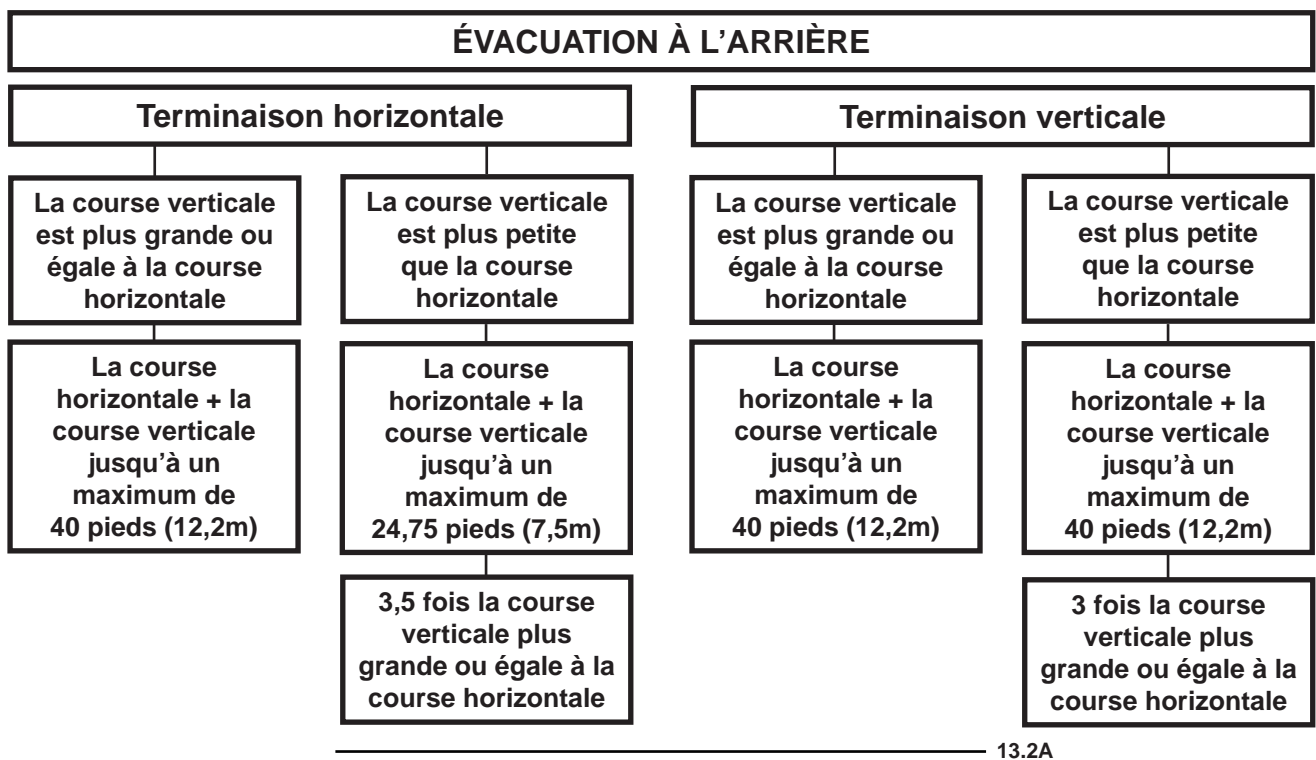
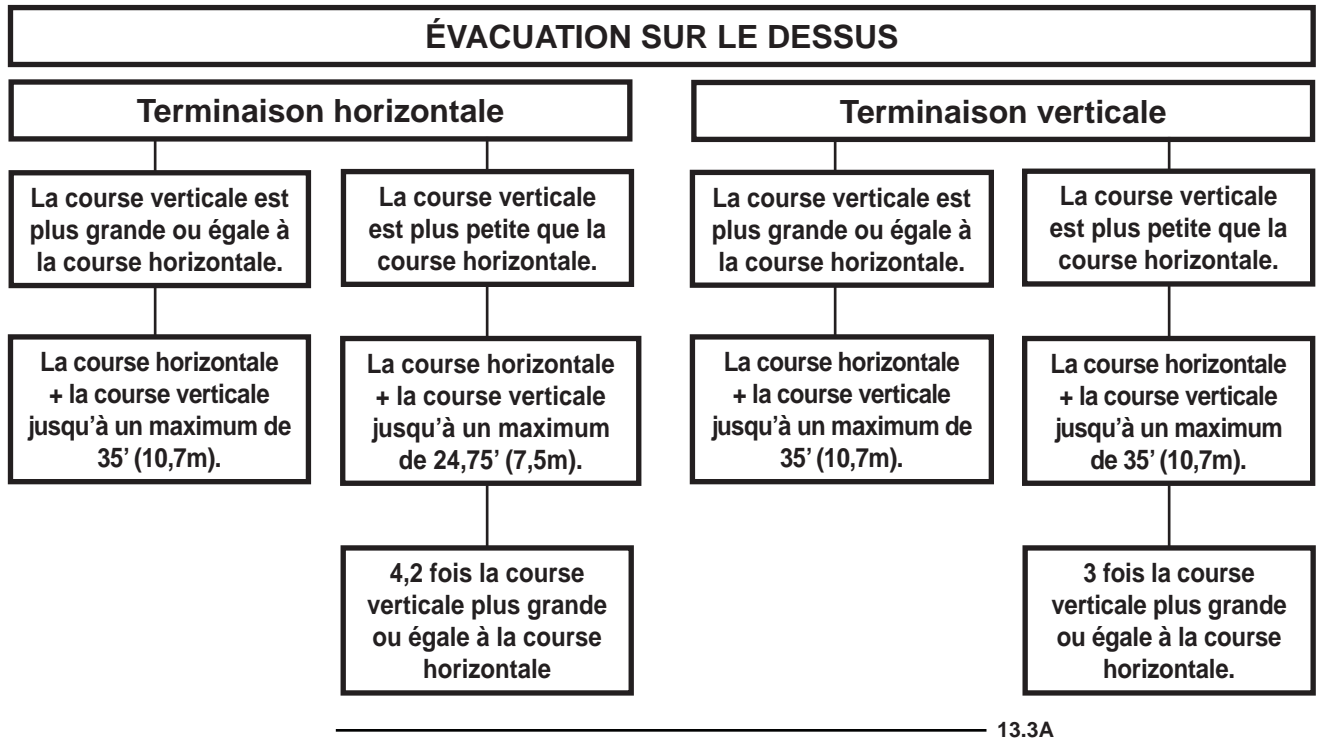
†† Permis seulement si la véranda ou la terrasse en bois sont complètement ouverts sur un minimum de deux côtés sous le plancher.

†* Recommandé afin d'éviter la recirculation des produits d'échappement. Vérifiez les codes locaux pour connaître les contraintes additionnelles.

††* Permis seulement si le balcon est complètement ouvert sur au moins un côté.

NOTE : Les dégagements sont en conformité avec les codes d'installation locaux et les exigences du fournisseur de gaz.

3.5 CHARTE D'APPLICATION DES ÉVACUATIONS



3.6 LÉGENDE

Les symboles suivants sont utilisés dans le calcul et les exemples d'évacuation :

$>$ - plus grand que

\geq - plus grand ou égal à

$<$ - plus petit que

\leq - plus petit ou égal à

H_T - total de la longueur des courses horizontales (H_r) et des déviations (H_o) en pieds

H_R - longueur des courses horizontales combinées en pieds

H_O - facteur de la valeur d'une déviation : 0,03 (du total des degrés de déviation - 90°*) en pieds

V_T - longueur des courses verticales combinées en pieds

 14.1

FR

3.7 VALEURS DU COUDE EN LONGUEURS D'ÉVENT

	<u>PIEDS</u>	<u>POUCES</u>	<u>MILLIMÈTRES</u>
1°	0,03	0,5	12,7
15°	0,45	6,0	152,4
30°	0,9	11,0	279,4
45°	1,35	16,0	406,4
90°*	2,7	32,0	812,8

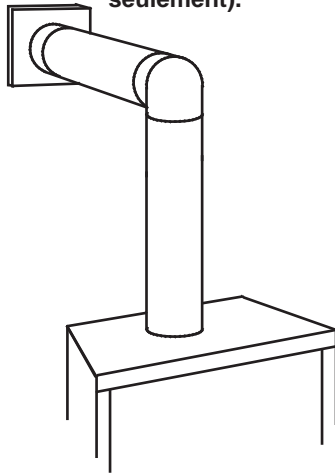
* La première déviation de 90° a une valeur zéro et est illustrée dans la formule comme - 90°

 15.1A

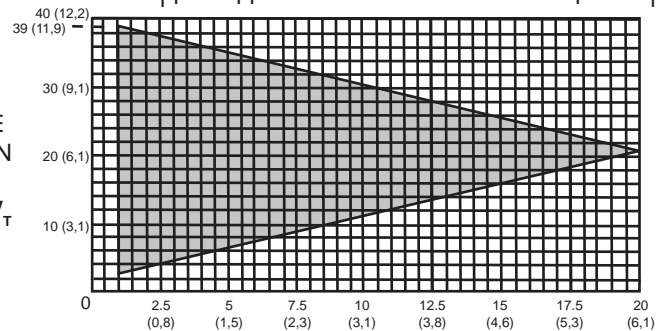
3.8 ÉVACUATION SUR LE DESSUS TERMINAISON VERTICALE

$$(H_T) \leq (V_T)$$

Configuration d'évacuation simple (un coude de 90° seulement).



Consultez le graphique pour déterminer la course verticale nécessaire V_T par rapport à la course horizontale requise H_T .



LONGUEUR DES COURSES HORIZONTALES PLUS LES DÉVIATIONS EN PIEDS (MÈTRES) H_T

La section ombragée à l'intérieur des lignes représente des valeurs acceptables pour H_T et V_T .

Lorsque la configuration de l'évacuation exige plus d'un coude de 90°, les formules suivantes s'appliquent :

Formule 1 : $H_T \leq V_T$

Formule 2 : $H_T + V_T \leq 40$ pieds (12,2m)

Exemple :

$$V_1 = 3 \text{ PI (0,9m)}$$

$$V_2 = 8 \text{ PI (2,4m)}$$

$$V_T = V_1 + V_2 = 3\text{PI (0,9m)} + 8\text{PI (2,4m)} = 11\text{PI (3,4m)}$$

$$H_1 = 2,5 \text{ PI (0,8m)}$$

$$H_2 = 2 \text{ PI (0,6m)}$$

$$H_R = H_1 + H_2 = 2,5\text{PI (0,8m)} + 2\text{PI (0,6m)} = 4,5 \text{ PI (1,4m)}$$

$$H_o = 0,03 \text{ (trois coudes } 90^\circ - 90^\circ) = 0,03 (270^\circ - 90^\circ) = 5,4 \text{ PI (1,6m)}$$

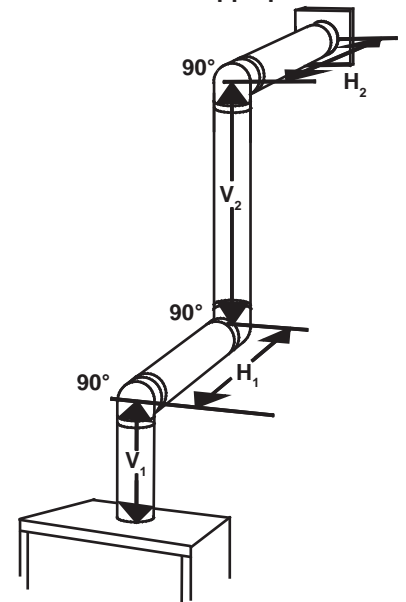
$$H_T = H_R + H_o = 4,5\text{PI (1,4m)} + 5,4\text{PI (1,6m)} = 9,9 \text{ PI (3m)}$$

$$H_T + V_T = 9,9\text{PI (3m)} + 11\text{PI (3,4m)} = 20,9 \text{ PI (6,4m)}$$

Formule 1 : $H_T \leq V_T$
 $9,9\text{PI (3m)} \leq 11\text{PI (3,4m)}$

Formule 2 : $H_T + V_T \leq 40 \text{ PI (12,2m)}$
 $20,9\text{PI (6,4m)} \leq 40 \text{ PI (12,2m)}$

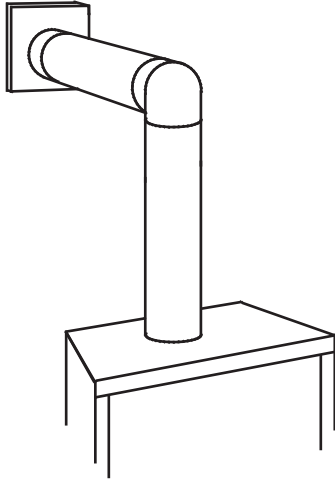
Puisque les deux formules sont respectées, cette configuration d'évacuation est acceptable.



16.1B

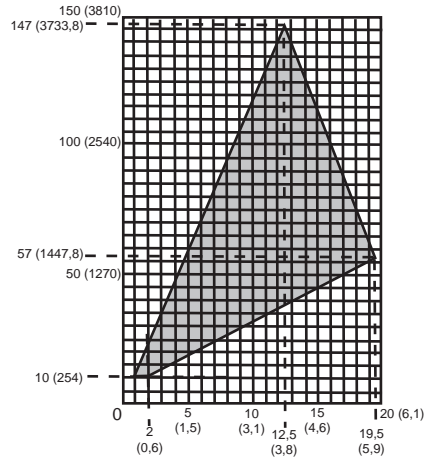
$$(H_T) > (V_T)$$

**Configuration d'évacuation simple
(un coude de 90° seulement)**



Consultez le graphique pour déterminer la course verticale nécessaire V_T par rapport à la course horizontale requise H_T .

COURSE VERTICALE REQUISE EN POUCES (MILLIMÈTRES) V_T



LONGUEUR DES COURSES HORIZONTALES PLUS LES DÉVIATIONS EN PIEDS (MÈTRES) H_T

La section ombragée à l'intérieur des lignes représente des valeurs acceptables pour H_T et V_T

Lorsque la configuration de l'évacuation exige plus qu'un coude de 90°, les formules suivantes s'appliquent :

Formule 1 : $H_T \leq 4,2 V_T$

Formule 2 : $H_T + V_T \leq 24,75$ pieds (7,5m)

Exemple :

$V_1 = V_T = 6$ PI (1,8m)

$H_1 = 3$ PI (0,9m)

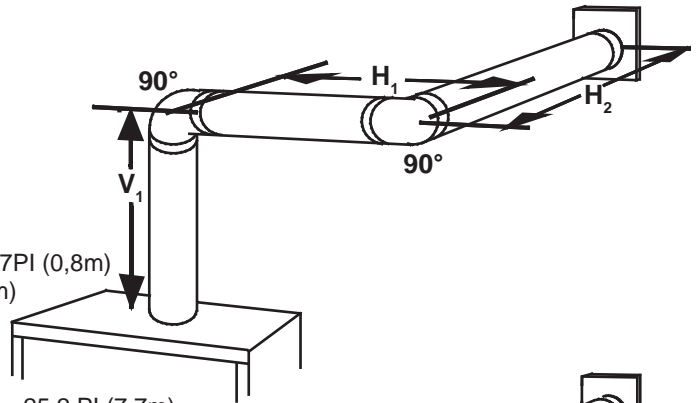
$H_2 = 5$ PI (1,5m)

$H_R = H_1 + H_2 = 3$ PI (0,9m) + 5PI (1,5m) = 8 PI (2,4m)

$H_o = 0,03$ (deux coudes $90^\circ - 90^\circ = 0,03$ ($180^\circ - 90^\circ$) = 2,7PI (0,8m)

$H_T = H_R + H_o = 8$ PI (2,4m) + 2,7 PI (0,8m) = 10,7 PI (3,3m)

$H_T + V_T = 10,7$ PI (3,3m) + 6PI (1,8m) = 16,7 PI (5,1m)



Formule 1 : $H_T \leq 4,2 V_T$
 $4,2 V_T = 4,2$ PI (1,3m) x 6PI (1,8m) = 25,2 PI (7,7m)

Formule 2 : $H_T + V_T \leq 24,75$ PI (7,5m)
 $16,7$ PI (5,1m) $\leq 24,75$ PI (7,5m)

Puisque les deux formules sont respectées, cette configuration d'évacuation est acceptable.

Exemple :

$V_1 = 4$ PI (1,2m)

$V_2 = 1,5$ PI (0,5m)

$V_T = V_1 + V_2 = 4$ PI (1,2m) + 1,5PI (0,5m) = 5,5 PI (1,7m)

$H_1 = 2$ PI (0,6m)

$H_2 = 1$ PI (0,3m)

$H_3 = 1$ PI (0,3m)

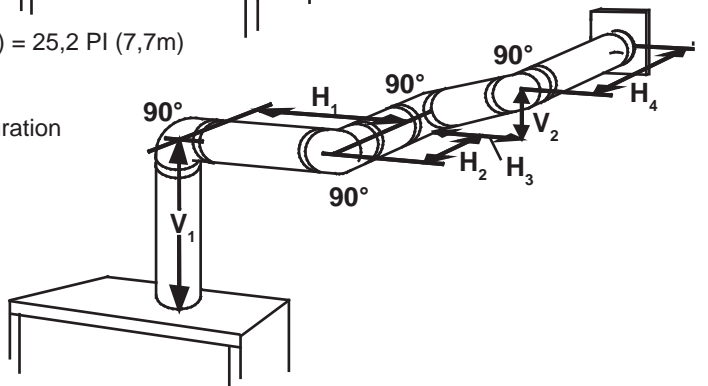
$H_4 = 1,5$ PI (0,5m)

$H_R = H_1 + H_2 + H_3 + H_4 = 2$ PI (0,6m) + 1 PI (0,3m) + 1 PI (0,3m) + 1,5 PI (0,5m) = 5,5 PI (1,7m)

$H_o = 0,03$ (quatre coudes $90^\circ - 90^\circ = 0,03$ ($360^\circ - 90^\circ$) = 8,1 PI (2,5m)

$H_T = H_R + H_o = 5,5$ PI (1,7m) + 8,1 PI (2,5m) = 13,6 PI (4,2m)

$H_T + V_T = 13,6$ PI (4,2m) + 5,5 PI (1,7m) = 19,1 PI (5,8m)



Formule 1 : $H_T \leq 4,2 V_T$
 $4,2 V_T = 4,2$ PI (1,3m) x 5,5 PI (1,7m) = 23,1 PI (7m)
 $13,6$ PI (4,2m) $\leq 23,1$ PI (7m)

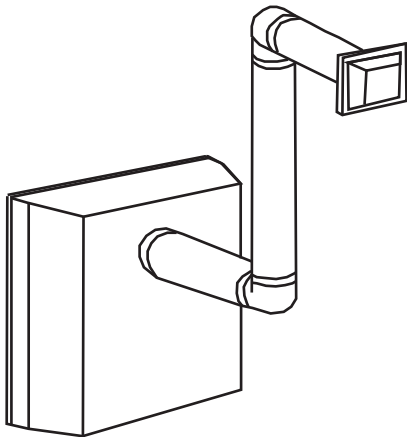
Formule 2 : $H_T + V_T \leq 24,75$ PI (7,5m)
 $19,1$ PI (5,8m) $\leq 24,75$ PI (7,5m)

Puisque les deux formules sont respectées, cette configuration d'évacuation est acceptable.

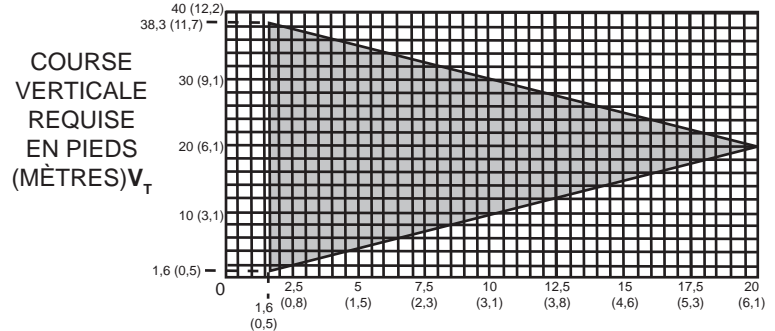
3.9 ÉVACUATION À L'ARRIÈRE TERMINAISON HORIZONTALE

$$(H_T) \leq (V_T)$$

**Configuration d'évacuation simple
(deux coudes de 90° seulement)**



Consultez le graphique pour déterminer la course verticale nécessaire V_T par rapport à la course horizontale requise H_T .



LONGUEUR DES COURSES HORIZONTALES PLUS LES DÉVIATIONS EN PIEDS (MÈTRES) H_T

La section ombragée à l'intérieur des lignes représente des valeurs acceptables pour H_T et V_T

Lorsque la configuration de l'évacuation exige plus qu'un coude de 90°, les formules suivantes s'appliquent :

Formule 1: $H_T \leq V_T$

Formule 2: $H_T + V_T \leq 40$ pieds (12,2m)

Exemple:

$V_1 = 9$ PI (2,7m)

$V_2 = 6$ PI (1,8m)

$V_T = V_1 + V_2 = 9$ PI (2,7m) + 6 PI (1,8m) = 15 PI (4,6m)

$H_1 = 3$ PI (0,9m)

$H_2 = 2$ PI (0,6m)

$H_3 = 1,5$ PI (0,5m)

$H_R = H_1 + H_2 + H_3 = 3$ PI (0,9m) + 2 PI (0,6m) + 1.5 PI (0,5m) = 6.5 PI (2m)

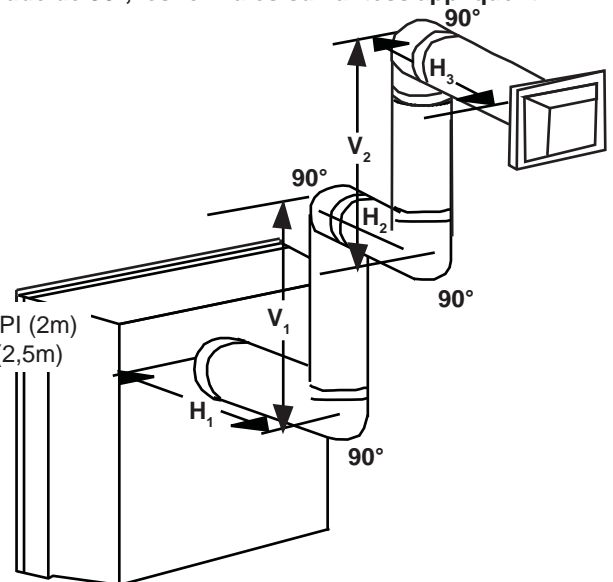
$H_O = 0,03$ (quatre coudes 90° - 90°) = 0,03 (360° - 90°) = 8,1 PI (2,5m)

$H_T = H_R + H_O = 6,5$ PI (2m) + 8,1 PI (2,5m) = 14,6 PI (4,5m)

$H_T + V_T = 14,6$ PI (4,5m) + 15 PI (4,6m) = 29,6 PI (9m)

Formule 1: $H_T \leq V_T$
14,6 PI (4,5m) \leq 15 PI (4,6m)

Formule 2: $H_T + V_T \leq 40$ PI (12,2m)
29,6 PI (9m) \leq 40 PI (12,2m)

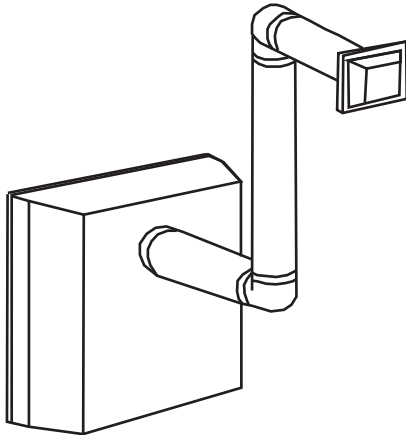


Puisque les deux formules sont respectées, cette configuration d'évacuation est acceptable.

16.3A

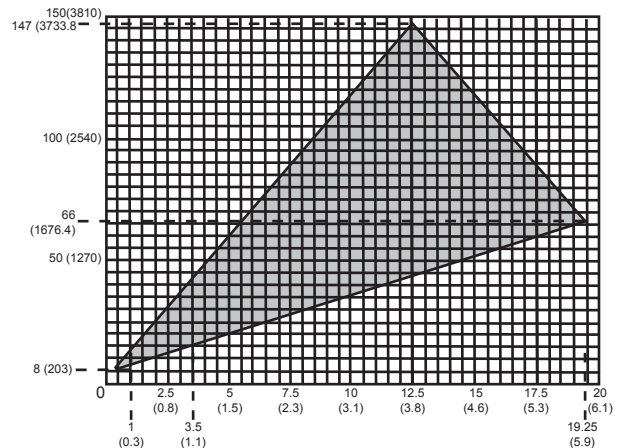
$$(H_T) > (V_T)$$

Configuration d'évacuation simple (deux coudes de 90° seulement)



COURSE
VERTICALE
REQUISE
EN PIEDS
(MÈTRES) V_T

Consultez le graphique pour déterminer la course verticale nécessaire V_T par rapport à la course horizontale requise H_T .



LONGUEUR DES COURSES HORIZONTALES PLUS
LES DÉVIATIONS EN PIEDS (MÈTRES) H_T

La section ombragée à l'intérieur des lignes représente
des valeurs acceptables pour H_T et V_T

Lorsque la configuration de l'évacuation exige plus qu'un coude de 90°, les formules suivantes s'appliquent :

Formule 1 : $H_T \leq 3,5V_T$

Formule 2 : $H_T + V_T \leq 24,75$ pieds (7,5m)

Exemple :

$V_1 = 4$ PI (1,2m)

$V_2 = 1,5$ PI (0,5m)

$V_T = V_1 + V_2 = 4$ PI (1,2m) + 1,5PI (0,5m) = 5,5 PI (1,7m)

$H_1 = 2$ PI (0,6m)

$H_2 = 1$ PI (0,3m)

$H_3 = 1$ PI (0,3m)

$H_4 = 1,5$ PI (0,5m)

$H_R = H_1 + H_2 + H_3 + H_4 = 2$ PI(0,6m) + 1PI(0,3m) + 1PI(0,3m) + 1,5PI(0,5m) = 5,5PI(1,7m)

$H_o = 0,03$ (quatre coudes 90° + un coude 45° - 90°)

= 0,03 (90 + 90 + 90 + 90 + 45 - 90) = 9,45 PI (2,9m)

$H_T = H_R + H_o = 5,5$ PI (1,7m) + 9,45PI (2,9m) = 14,95PI (4,6m)

$H_T + V_T = 14,95$ PI (4,6m) + 5,5PI (1,7m) = 20,45PI (6,2m)

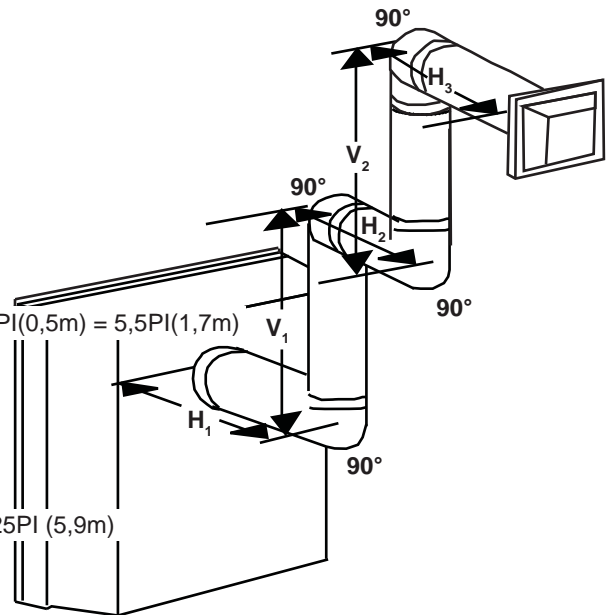
Formule 1 : $H_T \leq 3,5V_T$

$3,5V_T = 3,5$ PI (1,1m) x 5,5PI (1,7m) = 19,25PI (5,9m)

14,95 PI (4,6m) \leq 19,25 PI (5,9m)

Formule 2 : $H_T + V_T \leq 24,75$ PI (7,5m)

20,45 PI (6,2m) \leq 24,75 PI (7,5m)



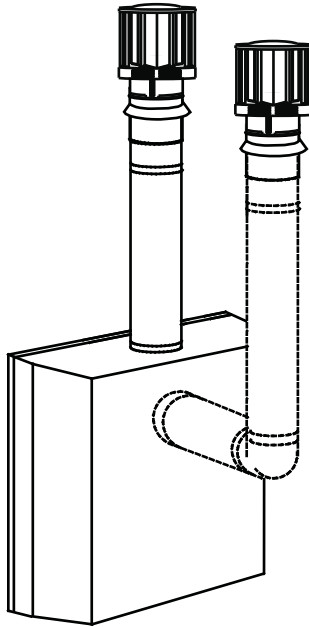
Puisque les deux formules sont respectées, cette configuration d'évacuation est acceptable.

16.3_2B

3.10 ÉVACUATION SUR LE DESSUS OU À L'ARRIÈRE TERMINAISON VERTICALE

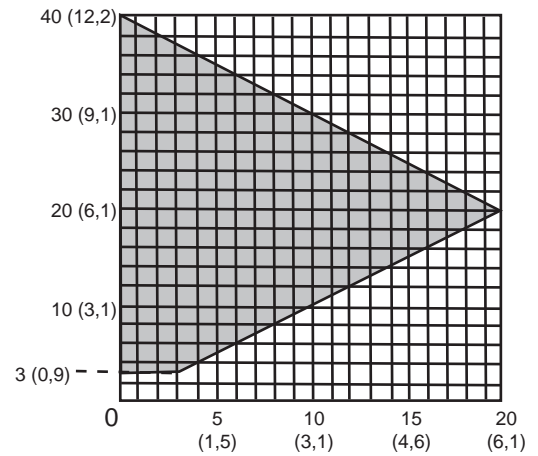
$$(H_T) \leq (V_T)$$

Configurations d'évacuation simples.



Consultez le graphique pour déterminer la course verticale nécessaire V_T par rapport à la course horizontale requise H_T .

COURSE VERTICALE REQUISE EN PIEDS (MÈTRES) V_T



LONGUEUR DES COURSES HORIZONTALES PLUS LES DÉVIATIONS EN PIEDS (MÈTRES) H_T
La section ombragée à l'intérieur des lignes représente des valeurs acceptables pour H_T et V_T

Lorsque les configurations de l'évacuation exigent plus que zéro coude de 90° (évacuation sur le dessus) ou un coude de 90° (évacuation à l'arrière), les formules suivantes s'appliquent :

Formule 1: $H_T \leq V_T$

Formule 2: $H_T + V_T \leq 40$ pieds (12,2m)

Exemple:

$V_1 = 5$ PI (1,5m)

$V_2 = 6$ PI (1,8m)

$V_3 = 10$ PI (3,1m)

$V_T = V_1 + V_2 + V_3 = 5\text{PI (1,5m)} + 6\text{PI (1,8m)} + 10\text{PI (3,1m)} = 21\text{PI (6,4m)}$

$H_1 = 8$ PI (2,4m)

$H_2 = 2,5$ PI (0,8m)

$H_R = H_1 + H_2 = 8\text{PI (2,4m)} + 2,5\text{PI (0,8m)} = 10,5\text{PI (3,2m)}$

$H_o = 0,03$ (quatre coudes 90° - 90°)

$= 0,03 (360^\circ - 90^\circ) = 8,1$ PI (2,5m)

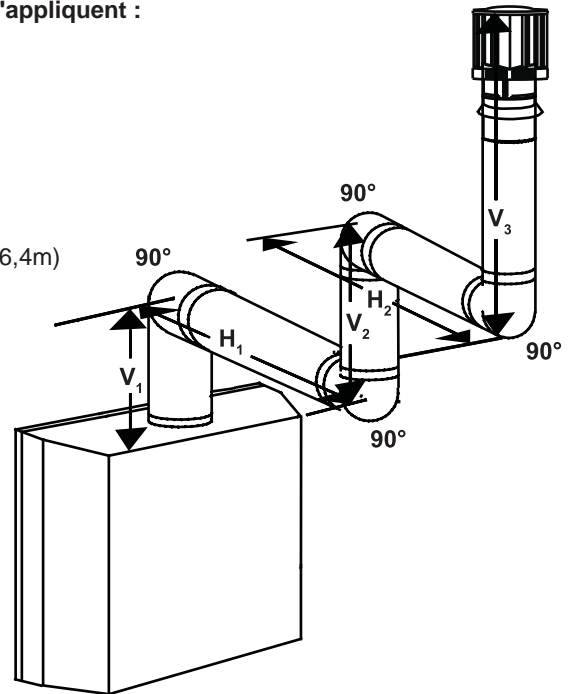
$H_T = H_R + H_o = 10,5\text{PI (3,2m)} + 8,1\text{PI (2,5m)} = 18,6\text{PI (5,7m)}$

$H_T + V_T = 18,6\text{PI (5,7m)} + 21\text{PI (6,4m)} = 39,6\text{PI (12,1m)}$

Formule 1: $H_T \leq 3,5V_T$
 $18,6$ PI (5,7m) ≤ 21 PI (6,4m)

Formule 2: $H_T + V_T \leq 40$ PI (12,2m)
 $39,6\text{PI (12,1m)} \leq 40$ PI (12,2m)

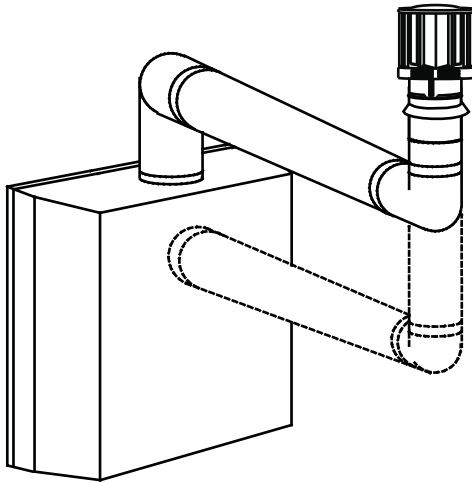
Puisque les deux formules sont respectées, cette configuration d'évacuation est acceptable



18.2A

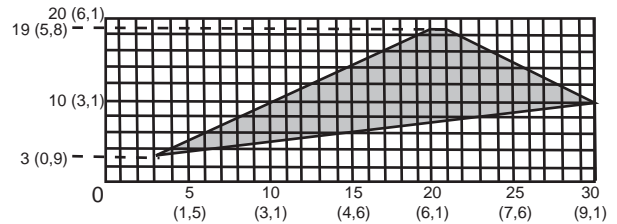
$$(H_T) > (V_T)$$

Configurations d'évacuation simples.



Consultez le graphique pour déterminer la course verticale nécessaire V_T par rapport à la course horizontale requise H_T .

COURSE
VERTICALE
REQUISE EN
PIEDS
(MÈTRES) V_T



LONGUEUR DES COURSES HORIZONTALES PLUS
LES DÉVIATIONS EN PIEDS (MÈTRES) H_T

La section ombragée à l'intérieur des lignes représente
des valeurs acceptables pour H_T et V_T

Lorsque les configurations de l'évacuation exigent plus que zéro coude de 90° (évacuation sur le dessus) ou un coude de 90° (évacuation à l'arrière), les formules suivantes s'appliquent :

Formule 1 : $H_T \leq 3 V_T$

Formule 2 : $H_T + V_T \leq 40$ pieds (12,2m)

Exemple :

$V_1 = 2$ PI (0,6m)

$V_2 = 1$ PI (0,3m)

$V_3 = 1,5$ PI (0,5m)

$V_T = V_1 + V_2 + V_3 = 2\text{PI} (0,6\text{m}) + 1\text{PI} (0,3\text{m}) + 1,5\text{PI} (0,5\text{m}) = 4,5\text{PI} (1,4\text{m})$

$H_1 = 6$ PI (1,8m)

$H_2 = 2$ PI (0,6m)

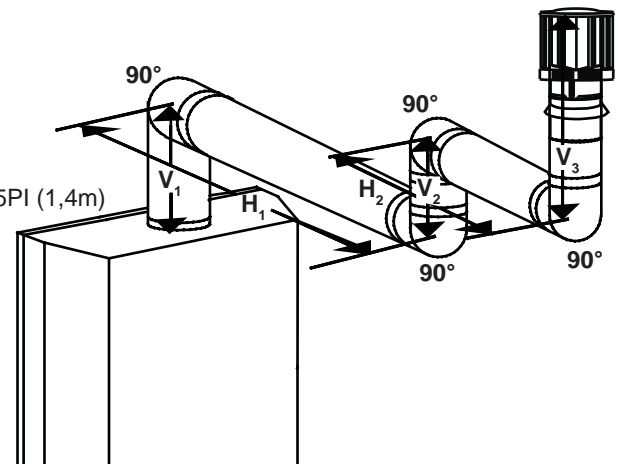
$H_R = H_1 + H_2 = 6\text{PI} (1,8\text{m}) + 2\text{PI} (0,6\text{m}) = 8$ PI (2,4m)

$H_o = 0,03$ (quatre coudes $90^\circ - 90^\circ$)

$= 0,03 (360^\circ - 90^\circ) = 8,1$ PI (2,5m)

$H_T = H_R + H_o = 8\text{PI} (2,4\text{m}) + 8,1\text{PI} (2,5\text{m}) = 16,1$ PI (4,9m)

$H_T + V_T = 16,1\text{PI} (4,9\text{m}) + 4,5\text{PI} (1,4\text{m}) = 20,6$ PI (6,3m)



Formule 1 : $H_T \leq 3V_T$

$3V_T = 3$ PI (0,9m) x 4,5 PI (1,4m) = 13,5 PI (4,1m)

$16,1\text{PI} (4,9\text{m}) > 13,5$ PI (4,1m)

Puisque cette formule n'est pas respectée, cette configuration d'évacuation est **inacceptable**.

Formule 2 : $H_T + V_T \leq 40$ PI (12,2m)

$20,6$ PI (4,9m) ≤ 40 PI (12,2m)

Puisque seulement la formule 2 est respectée, cette configuration est inacceptable et l'on devra trouver un autre endroit pour installer l'appareil ou trouver une configuration d'évacuation qui pourra respecter les deux formules.

Exemple :

$$V_1 = 1,5 \text{ PI (0,5m)}$$

$$V_2 = 5 \text{ PI (1,5m)}$$

$$V_T = V_1 + V_2 = 1,5\text{PI (0,5m)} + 5\text{PI (1,5m)} = 6,5 \text{ PI (2m)}$$

$$H_1 = 1 \text{ PI (0,3m)}$$

$$H_2 = 1 \text{ PI (0,3m)}$$

$$H_3 = 10,75 \text{ PI (3,3m)}$$

$$H_R = H_1 + H_2 + H_3 = 1\text{PI (0,3m)} + 1\text{PI (0,3m)} + 10,75\text{PI (3,3m)} = 12,75\text{PI (3,9m)}$$

$$H_o = 0,03 \text{ (quatre coudes } 90^\circ \text{ + un coude } 45^\circ - 90^\circ)$$

$$= 0,03 (360^\circ + 45^\circ - 90^\circ) = 6,75 \text{ PI (2,1m)}$$

$$H_T = H_R + H_o = 12,75\text{PI (3,9m)} + 6,75\text{PI (2,1m)} = 19,5\text{PI (5,9m)}$$

$$H_T + V_T = 19,5 \text{ PI (5,9m)} + 6,5 \text{ PI (2m)} = 26 \text{ PI (7,9m)}$$

Formule 1 :

$$H_T \leq 3 V_T$$

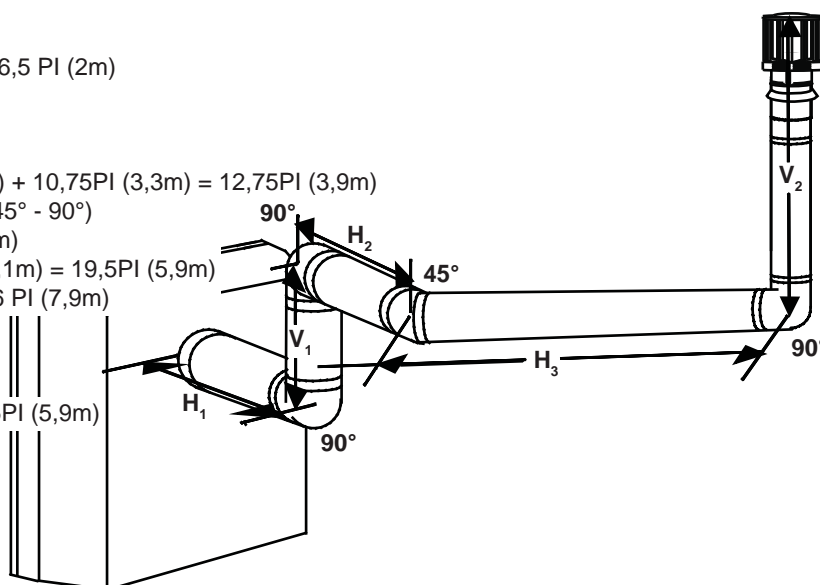
$$3 V_T = 3\text{PI (0,9m)} \times 6,5\text{PI (2m)} = 19,5\text{PI (5,9m)}$$

$$19,5 \text{ PI (5,9m)} = 19,5 \text{ PI (5,9m)}$$

Formule 2 :

$$H_T + V_T \leq 40 \text{ PI (12,2m)}$$

$$26 \text{ PI (7,9m)} \leq 40 \text{ PI (12,2m)}$$



Puisque les deux formules sont respectées, cette configuration d'évacuation est acceptable.

18.2_3A

FR

3.11 ÉVACUATION À L'ARRIÈRE

⚠ AVERTISSEMENT

IL EST ESSENTIEL QUE LE COUVERCLE D'ÉVACUATION SOIT INSTALLÉ SINON L'APPAREIL NE FONCTIONNERA PAS CORRECTEMENT ET POURRAIT CAUSER DES BLESSURES OU DES DOMMAGES MATÉRIELS.

Voir la section « INSTALLATION DU DÉFLECTEUR ARRIÈRE » pour obtenir plus de détails sur l'installation.

- A. Enlevez l'écran de protection et vitre de la porte, référer de la section, « ENLÈVEMENT ET INSTALLATION DE LA PORTE ET L'ÉCRAN DE PROTECTION ».
- B. Enlevez le contenu de l'intérieur de la chambre de combustion, vous aurez besoin de la collet d'évacuation de 4" (102mm).
- C. Retirez les quatre tête hexagonale de fixation du déflecteur de l'intérieur de la partie supérieure avant de la chambre de combustion, voir Figure 1.
- D. Placez les joint d'étanchéité (fourni) au cours de l'assemblage du collet d'évacuation de 4" (102mm) et plier le long de la perforation.
- E. De l'intérieur de la chambre de combustion, insérez le collet d'évacuation de 4" (102mm) / joint d'étanchéité à travers l'arrière de la chambre de combustion. Installez le support de déflecteur sur le col 4 "(102mm) de combustion.
- F. Fixez l'assemblage et support du déflecteur à l'arrière et dans le haut de l'appareil à l'aide des quatre vis à tête 3/8" filetage vis à tête, voir Figure 2. **NOTE: Ne serrez pas trop les vis. Il suffit d'appuyer le joint d'étanchéité contre la chambre de combustion.**
- G. Réinstallez la déflecteur supérieur avec les 4 vis. Installez les ensemble de bûches, vitre de la porte et l'écran de protection.

Fig. 1 DÉFLECTEUR

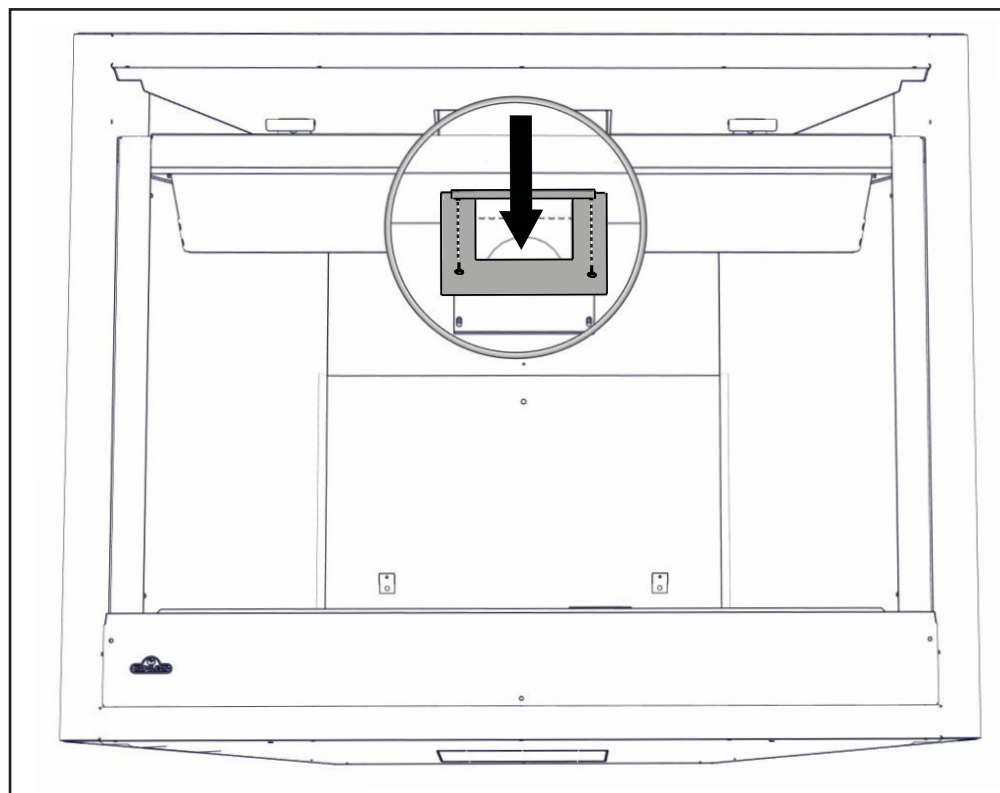


Fig. 2

3.12 INSTALLATION DE DÉFLECTEUR ARRIÈRE

À être utilisé dans les applications à évacuation arrière.

- A. Retirez l'ensemble de la barrière de sécurité et la porte de l'appareil, reportez-vous à la « ENLÈVEMENT ET INSTALLATION DE LA PORTE ET L'ÉCRAN DE PROTECTION » section du manuel pour les instructions détaillées.
- B. Desserrez les deux vis, qui fixent la plaque d'échappement, et faites glisser le déflecteur en place en glissant sa ouvertures fendues derrière les têtes de vis, serrez les deux vis précédemment desserrées. Se référer au illustration ci-dessous.
- C. Réinstaller la porte et la sécurité ensemble de barrière sur l'appareil, se référer à la « ENLÈVEMENT ET INSTALLATION DE LA PORTE ET L'ÉCRAN DE PROTECTION » section du manuel pour les instructions détaillées.



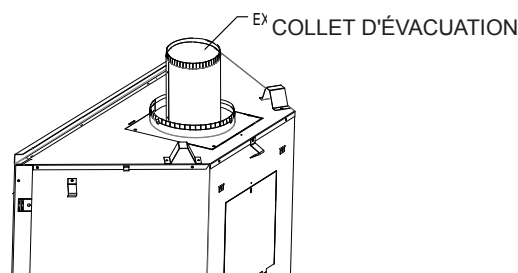
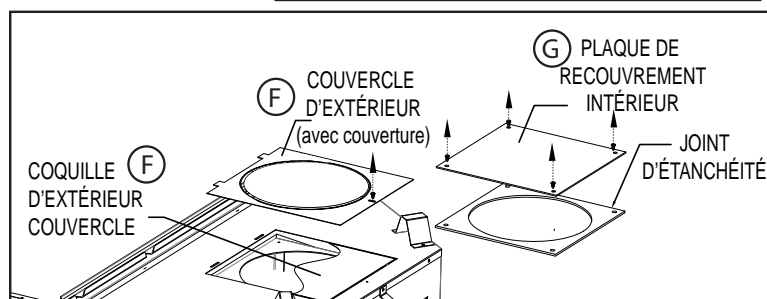
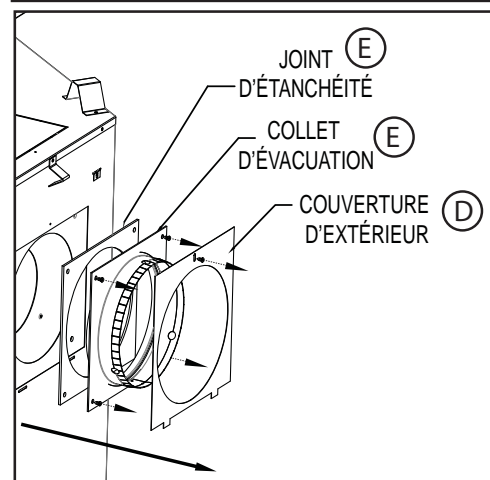
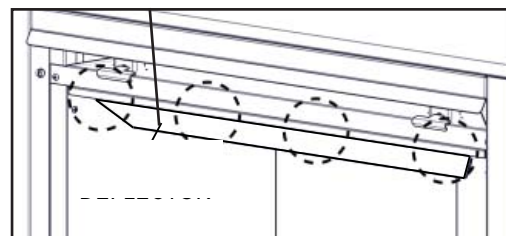
3.13 ÉVACUATION SUR LE DESSUS

AVERTISSEMENT

IL EST ESSENTIEL QUE LE COUVERCLE D'ÉVACUATION SOIT INSTALLÉ SINON L'APPAREIL NE FONCTIONNERA PAS CORRECTEMENT ET POURRAIT CAUSER DES BLESSURES OU DES DOMMAGES MATÉRIELS.

NOTE: Cet appareil a été livré comme un événement l'arrière.

- A. Enlevez l'écran de protection et vitre de la porte, référer de la section, « ENLÈVEMENT ET INSTALLATION DE LA PORTE ET L'ÉCRAN DE PROTECTION DÉFLECTEUR
- B. Enlevez les contenu de l'intérieur de la chambre de combustion, vous aurez besoin de la collet d'évacuation de 4" (102mm).
- C. De l'intérieur de la chambre de combustion, enlevez les déflecteur supérieur.
- D. Enlevez la vis unique à parti de la couvercle d'extérieur de l'arrière de la chambre de combustion.
- E. Enlevez les 4 vis sur le collet d'évacuation de 7" (178mm); mettre de côté le collet d'évacuation et le joint d'étanchéité. Ne pas endommager le joint d'étanchéité.
- F. Enlevez la vis unique à parti de la couvercle d'extérieur avec knockout, dans le haut de l'appareil et mettre de côté.
- G. Enlevez la plaque de couverture intérieure et le joint d'étanchéité par enlevez les 4 vis. Réinstaller la plaque de couverture intérieure et joint d'étanchéité sur l'arrière de l'appareil.
- H. Fixez la couvercle d'extérieur avec knockout sur l'arrière de l'appareil.
- I. Retirez et jetez les épaisseur d'isolation 1 1/2".
- J. Placez le collet d'évacuation de 7" (178mm) et le joint d'étanchéité dans le haut de l'appareil et fixez avec les 4 vis.
- K. Réinstaller la couvercle d'extérieur avec knockout sur la collet d'évacuation 7" (178mm) et fixez.
- L. De l'intérieur de la chambre de combustion, installez le collet d'évacuation de 4" (102mm) à travers la haut de la chambre de combustion et des quatre vis à tête 3/8". **NOTE: Ne serrez pas trop les vis. Il suffit d'appuyer le joint d'étanchéité contre la chambre de combustion.**
- M. Réinstallez la déflecteur supérieur avec les 4 vis. Installez les ensemble de bûches, vitre de la porte et l'écran de protection.



4.0 INSTALLATION

! AVERTISSEMENT

AVANT D'EFFECTUER LES BRANCHEMENTS POUR L'ALIMENTATION EN GAZ ET ÉLECTRIQUE, ASSUREZ-VOUS DE RETIRER TOUTE COMPOSANTE NON FIXÉE À L'INTÉRIEUR DE LA CHAMBRE DE COMBUSTION.

SI VOTRE APPAREIL COMPREND UN SYSTÈME DE TÉLÉCOMMANDE, ASSUREZ-VOUS QUE LE RÉCEPTEUR EST À LA POSITION « OFF » AVANT D'EFFECTUER LES BRANCHEMENTS POUR L'ALIMENTATION EN GAZ ET ÉLECTRIQUE.

AFIN D'ASSURER UN FONCTIONNEMENT SÉCURITAIRE ET ADÉQUAT DE L'APPAREIL, VOUS DEVEZ OBSERVER LES INSTRUCTIONS D'ÉVACUATION À LA LETTRE.

TOUS LES JOINTS DES CONDUITS INTÉRIEURS ET EXTÉRIEURS PEUVENT ÊTRE SCELLÉS AVEC DU SCELLANT DE SILICONE ROUGE À HAUTE TEMPÉRATURE RTV W573-0002 (NON FOURNI) OU DU SCELLANT NOIR À HAUTE TEMPÉRATURE MILL PAC W573-0007 (NON FOURNI) À L'EXCEPTION DU RACCORDEMENT DU CONDUIT D'ÉVACUATION À LA BUSE DE L'APPAREIL QUI DOIT ÊTRE SCELLÉ AVEC LE SCELLANT MILL PAC.

SI VOUS UTILISEZ DES COLLIERES POUR TUYAU POUR RACCORDER LES COMPOSANTS D'ÉVACUATION, VOUS DEVEZ AUSSI INSTALLER TROIS VIS POUR VOUS ASSURER QUE LE RACCORDEMENT NE SE DÉFASSE PAS.

NE SERREZ PAS LA GAINÉ FLEXIBLE.

RISQUE D'INCENDIE, D'EXPLOSION OU D'ASPHYXIE. SI L'ENSEMBLE DU SYSTÈME DE CONDUIT D'ÉVENT N'EST PAS ADÉQUATEMENT SOUTENU, IL RISQUE DE FLÉCHIR OU DE SE SÉPARER. UTILISEZ DES SUPPORTS DE CONDUIT ET RACCORDEZ LES SECTIONS DE CONDUITS SELON LES INSTRUCTIONS D'INSTALLATION.

RISQUE D'INCENDIE. ÉVITEZ QUE L'ISOLANT TOUCHE AU CONDUIT D'ÉVACUATION. RETIREZ L'ISOLANT POUR PERMETTRE L'INSTALLATION DE L'ÉCRAN PROTECTEUR DU GRENIER ET POUR MAINTENIR LES DÉGAGEMENTS AUX MATÉRIAUX COMBUSTIBLES.

68.2B

4.1 PROTECTION DU MUR ET DU PLAFOND

! AVERTISSEMENT

NE REMPLISSEZ L'ESPACE ENTRE LE CONDUIT D'ÉVENT ET LA CHARPENTE AVEC AUCUN TYPE DE MATÉRIAU. NE BOURREZ PAS D'ISOLANT NI DE MATÉRIAUX COMBUSTIBLES ENTRE LES ESPACEURS COUPE-FEU DU PLAFOND. CONSERVEZ TOUJOURS LES DÉGAGEMENTS REQUIS AUTOUR DES CONDUITS D'ÉVENT ET L'ASSEMBLAGE DE L'ESPACEUR COUPE-FEU. INSTALLEZ LES ÉCRANS MURAUX ET LES ESPACEURS COUPE-FEU TEL QUE SPÉCIFIÉ. SI VOUS NE GARDEZ PAS L'ISOLANT OU TOUT AUTRE MATÉRIAU À L'ÉCART DU CONDUIT D'ÉVENT, UN RISQUE D'INCENDIE POURRAIT S'ENSUIVRE.

70.1

Pour les dégagements du conduit d'évent aux matériaux combustibles, voir la section « OSSATURE ».

! AVERTISSEMENT

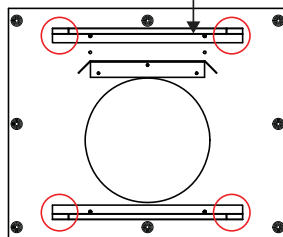
**L'ESPACEUR COUPE-FEU DOIT ÊTRE INSTALLÉ AVEC L'ÉCRAN PROTECTEUR ORIENTÉ VERS LE HAUT.
LA TERMINAISON NE DOIT PAS ÊTRE ENCHÂSSÉE DANS LE MUR OU LE REVÊTEMENT EXTÉRIEUR
PLUS QUE L'ÉPAISSEUR DE LA BRIDE DE LA PLAQUE DE MONTAGE.**

Cette configuration s'applique lorsque le conduit d'évent traverse un mur extérieur. Une fois que vous aurez déterminé la hauteur exacte pour l'emplacement de la terminaison, découpez et charpentez une ouverture dans le mur extérieur (comme illustré) pour permettre l'installation de l'espaceur coupe-feu. Avant de continuer, placez l'espaceur coupe-feu dans l'ouverture pour vous assurer que les supports sur la surface arrière soient placés contre la face intérieure de la pièce de charpente horizontale.

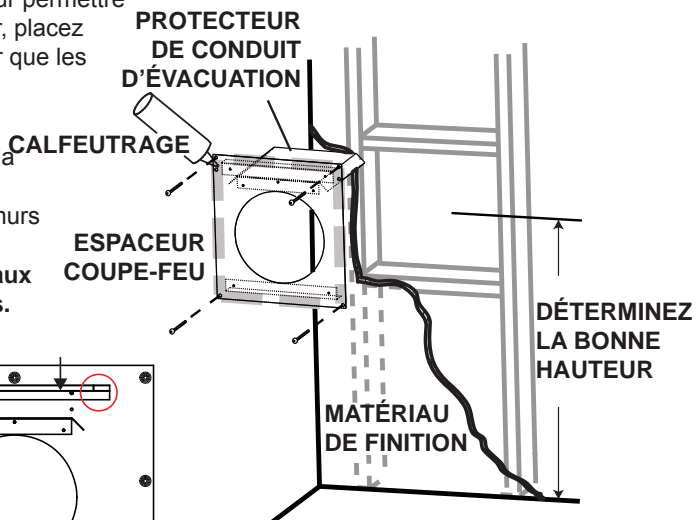
L'écran protecteur doit être installé pour protéger toute la profondeur de la pénétration de la paroi combustible. La longueur de l'écran protecteur peut être taillé pour des murs combustibles qui ont moins de 6" (152 mm) d'épaisseur.

NOTE: Pliez les onglets pour les dégagements latéraux réduits ou déplacez le bouclier Meilleurs jeux réduits.

- A.** Appliquez un joint de calfeutrage (non fourni) tout autour de la bordure de la face intérieure de l'espaceur coupe-feu, installez l'espaceur coupe-feu contre le trou et fixez à l'aide des quatre vis (fournies dans le sac de votre manuel).



- B.** Une fois que le conduit d'évent est en place, appliquez du scellant à haute température W573-0007 (non fourni) entre le conduit d'évent et l'espaceur coupe-feu.

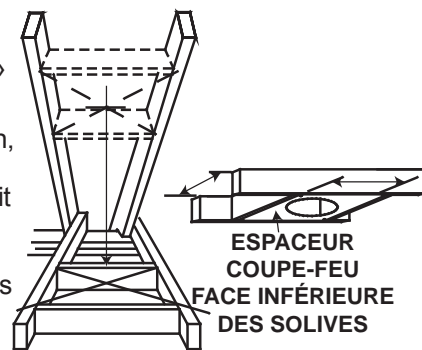


20.7A

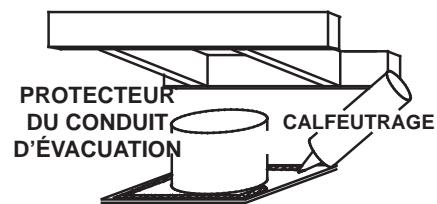
4.1.2 INSTALLATION VERTICALE

Cette configuration s'applique lorsque l'évacuation se fait à travers un toit. Des ensembles d'installation pour les différentes pentes de toit sont disponibles chez votre détaillant autorisé. Voir la section « Accessoires » pour commander l'ensemble spécifique dont vous avez besoin.

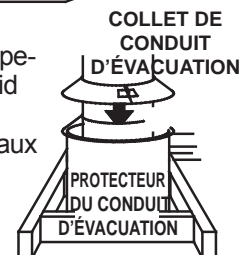
- A.** Une fois que vous aurez déterminé l'emplacement de la terminaison, découpez et charpentez une ouverture dans le plafond et le toit pour laisser le dégagement minimal de 1" (25,4mm) entre le conduit d'évent et tout matériau combustible. Essayez de positionner le conduit d'évent à mi-chemin entre deux solives pour ne pas être obligé de les couper. Utilisez du fil à plomb pour aligner le centre des ouvertures. Un protecteur de conduit d'évacuation empêchera tout matériau, tel que l'isolant, de remplir l'espace vide de 1" (25,4mm) autour de l'évent. Fixez des entretoises entre les solives pour assurer un support additionnel.



- B.** Appliquez un joint de calfeutrage (non fourni) sur la charpente ou sur le protecteur de conduit d'évacuation Wolf Steel ou l'équivalent (dans le cas d'un plafond fini) et fixez le protecteur de conduit d'évacuation de façon à recouvrir l'ouverture dans le plafond. Un espaceur coupe-feu doit être fixé à la base de chaque ouverture charpentée dans un toit ou un plafond par lequel traverse le système d'évacuation. Appliquez un joint de calfeutrage tout autour et placez un espaceur coupe-feu par-dessus le protecteur de conduit d'évacuation pour empêcher l'arrivée d'air froid dans la pièce ou autour de l'appareil. Assurez-vous que l'espaceur coupe-feu et le protecteur de conduit d'évacuation conservent le dégagement nécessaire aux matériaux combustibles. Une fois que le conduit d'évacuation est en place, appliquez un agent d'étanchéité entre le conduit d'évacuation et l'espaceur coupe-feu.



- C.** Dans le grenier, faites glisser le collet de conduit d'évacuation vers le bas afin de recouvrir l'extrémité ouverte du protecteur de conduit d'évacuation et serrez. Ceci empêchera tout matériau, tel que l'isolant, de remplir l'espace vide de 1 po (25,4mm) autour de l'évent.



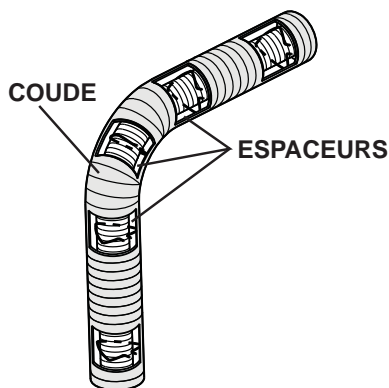
21.1A

4.2 UTILISATION DE COMPOSANTS FLEXIBLES D'ÉVACUATION

! AVERTISSEMENT

NE LAISSEZ PAS LA GAINÉ FLEXIBLE SE TASSER CONTRE LES COURSES HORIZONTALES OU VERTICALES ET LES COUDES. GARDEZ-LA TENDUE.

DES ESPACEURS SONT FIXÉS À LA GAINÉ FLEXIBLE À INTERVALLES PRÉDÉTERMINÉS AFIN DE GARDER UN ESPACE VIDE AVEC LE CONDUIT EXTÉRIEUR. POUR QUE LE FONCTIONNEMENT SOIT SÉCURITAIRE, UN ESPACE VIDE EST REQUIS. UN ESPACEUR EST REQUIS AU DÉBUT, AU MILIEU ET À LA FIN DE CHAQUE COUDE AFIN DE MAINTENIR CET ESPACE VIDE. N'ENLEVEZ PAS CES ESPACEURS.



Afin d'assurer une opération sécuritaire et adéquate de l'appareil, vous devez observer les instructions d'évacuation à la lettre.

Tous les joints des conduits flexibles intérieurs et extérieurs peuvent être scellés avec le scellant à haute température W573-0002 (non fourni) ou du scellant à haute température Mill Pac W573-0007 (non fourni). Cependant, le raccordement du conduit flexible intérieur à la buse de l'appareil doit être scellé avec le scellant Mill Pac W573-0007 (non fourni).

N'utilisez que les ensembles certifiés de gaines flexibles portant l'inscription :

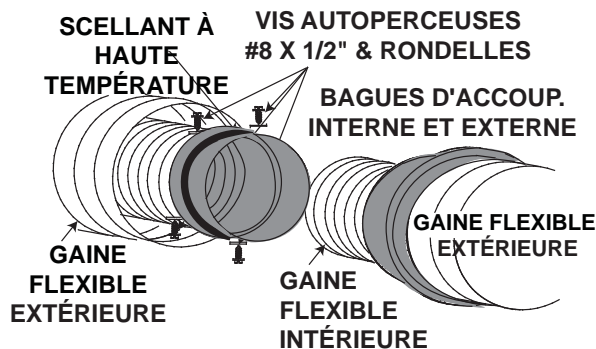
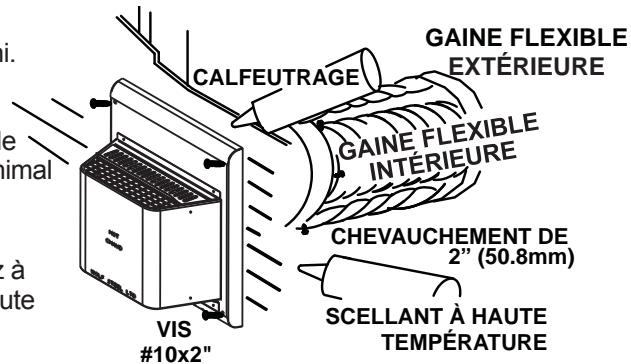


« Wolf Steel Approved Venting » comme identifié par la gaine flexible extérieure.

22.1

4.2.1 INSTALLATION DE LA TERMINAISON HORIZONTALE

- A. Étirez la gaine flexible intérieure à la longueur requise en tenant compte de la longueur additionnelle nécessaire pour la surface du mur fini. Appliquez un généreux joint de scellant à haute température W573-0007 Mill Pac (non fourni). Glissez la gaine flexible sur le manchon intérieur de la terminaison en assurant un chevauchement minimal de 2" (50.8mm) et fixez à l'aide de trois vis #8.
- B. Installez la gaine flexible extérieure en la glissant sur le manchon extérieur de la terminaison et fixez à l'aide de trois vis #8. Scellez avec du scellant à haute température W573-0002 (non fourni).
- C. Insérez les gaines dans le coupe-feu tout en conservant le dégagement nécessaire aux matériaux combustibles. En soutenant la terminaison (les inscriptions étant à l'endroit et lisibles), fixez la terminaison au mur extérieur et rendez-la étanche en la scellant avec du calfeutrage (non fourni).
- D. Si plus de sections de gaine doivent être utilisées pour atteindre l'appareil, raccordez-les ensemble tel qu'illustré. Le système d'évacuation doit être soutenu à environ tous les 3 pieds (0.9m) pour les courses verticales et horizontales. Utilisez des supports incombustibles afin de maintenir le dégagement minimal aux matériaux combustibles.



Les terminaisons ne doivent pas être enchâssées dans un mur ou un revêtement extérieur plus que l'épaisseur de la bride de la plaque de montage.

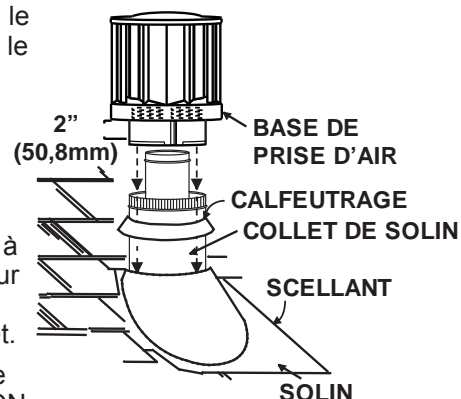
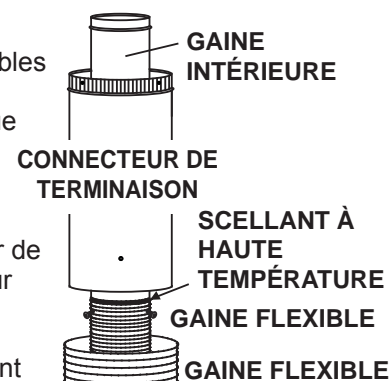
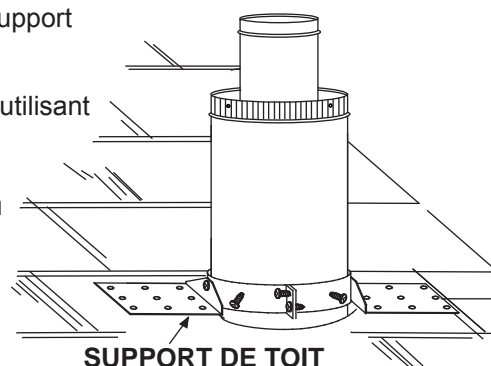
23.1C

4.2.2 INSTALLATION DE LA TERMINAISON VERTICALE

AVERTISSEMENT

CONSERVEZ UN ESPACE MINIMAL DE 2" (50,8mm) ENTRE LA BASE DE LA PRISE D'AIR ET LE COLLET DE SOLIN.

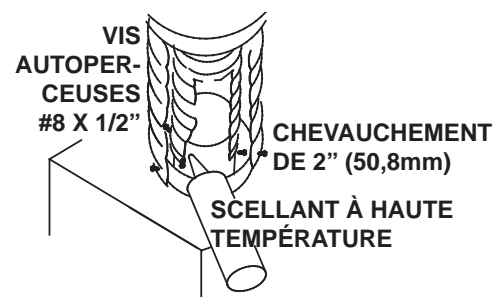
- A. Fixez le support de toit au toit à l'aide des vis fournies. Le support de toit est optionnel. Dans ce cas, l'évent doit être supporté adéquatement soit en utilisant une méthode alternative se conformant aux normes des autorités compétentes, soit en utilisant le support de toit optionnel.
- B. Étirez la gaine flexible intérieure à la longueur requise. Glissez la gaine flexible intérieure sur le conduit intérieur du connecteur de terminaison en assurant un chevauchement minimal de 2 po (51 mm). Fixez à l'aide d'au moins trois vis #8. Scellez en appliquant un généreux joint de scellant à haute température W573-0007 (non fourni).
- C. Répétez avec la gaine flexible extérieure, en appliquant un généreux joint de scellant à haute température (W573-0002, non fourni) et en utilisant au moins trois vis..
- D. Faites passer le montage du connecteur de terminaison/gaines flexibles à travers le toit. La terminaison doit être verticale et d'aplomb. Fixez le connecteur de terminaison au support de toit en vous assurant que le dessus de la terminaison excède le côté le plus élevé du toit d'au moins 16" (406,4mm) une fois fixée.
- E. Enlevez les clous des bardeaux sur le dessus et les côtés du connecteur de terminaison. Placez le solin par-dessus le connecteur de terminaison en laissant un minimum de 3/4" (19,1mm) de connecteur de terminaison visible au-dessus du haut du solin. Glissez le solin sous les côtés et le bord supérieur des bardeaux. Assurez-vous que le connecteur de terminaison est bien centré dans le solin, en laissant une marge de 3/4" (19,1mm) tout autour. Fixez-le au toit. Ne clouez pas à travers la partie inférieure du solin. Imperméabilisez-le en le scellant avec du calfeutrage. Si possible, recouvrez les côtés et le bord supérieur du solin avec des matériaux de couverture.
- F. Alignez les joints de la terminaison et du connecteur de terminaison et placez la terminaison par-dessus le connecteur de terminaison en vous assurant que le manchon pénètre dans le trou de la terminaison. Fixez à l'aide des trois vis fournies.
- G. Appliquez un généreux joint de calfeutrage à l'épreuve de l'eau à 2" (50,8mm) au-dessus du solin. Installez le collet de solin autour de la terminaison et glissez-le jusqu'à la ligne de calfeutrage. Serrez afin d'assurer l'étanchéité entre la terminaison et le collet.
- H. Si plus de sections de gaine doivent être utilisées pour atteindre l'appareil, voir la section « INSTALLATION DE LA TERMINAISON HORIZONTALE ».



24.1B

4.2.3 RACCORDEMENT DES ÉVÉNEMENTS À L'APPAREIL

- A. Raccordez la collet d'évacuation à l'appareil. Fixez avec un minimum de trois vis #8. Scellez le joint et les têtes de vis avec le scellant à haute température Mill-Pac W573-0007 (non fourni).
- B. Raccordez la gaine flexible à l'appareil. Fixez et scellez les joints à l'aide du scellant à haute température et d'au moins huit vis.



28.1D

4.3 UTILISATION DE COMPOSANTS RIGIDES D'ÉVACUATION

Le système d'évacuation doit être soutenu à peu près tous les 3 pieds (0.9m) de courses verticales et horizontales. Utilisez l'ensemble de support mural Wolf Steel ou des supports incombustibles équivalents afin de conserver le dégagement minimal aux matériaux combustibles pour les courses verticales et horizontales.

Tous les joints des conduits intérieurs et extérieurs peuvent être scellés avec du scellant de silicone rouge à haute température W573-0002 (non fourni) ou du scellant noir à haute température Mill Pac W573-0007 (non fourni) à l'exception du raccordement du conduit d'évacuation à la buse de l'appareil qui doit être scellé avec le scellant Mill Pac.

25.1A

4.3.1 INSTALLATION DE LA TERMINAISON HORIZONTALE



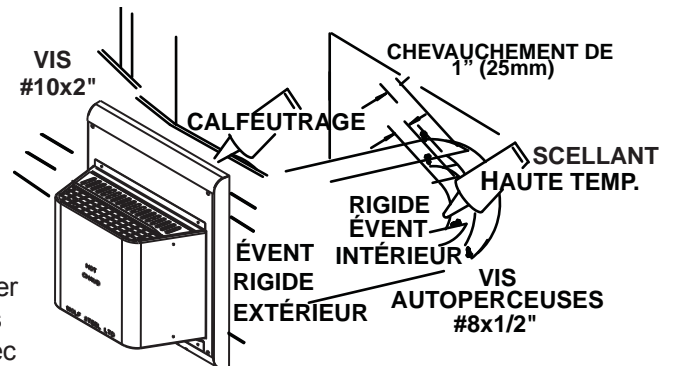
AVERTISSEMENT

RISQUE D'INCENDIE. ÉVITEZ QUE L'ISOLANT TOUCHE AU CONDUIT D'ÉVACUATION. RETIREZ L'ISOLANT POUR PERMETTRE L'INSTALLATION DE L'ÉCRAN PROTECTEUR DU GRENIER ET POUR MAINTENIR LES DÉGAGEMENTS AUX MATÉRIAUX COMBUSTIBLES.

A. Mettez l'appareil en place. Mesurez la longueur d'évent requise entre la terminaison et l'appareil en tenant compte de la longueur additionnelle nécessaire pour la surface du mur fini et tout chevauchement de 1 ¼" (31.8mm) entre les composants d'évacuation.

B. Appliquez du scellant à haute température W573-0007 (non fourni) sur le rebord extérieur du collet intérieur de l'appareil. Installez le premier événement et fixez-le en utilisant un minimum de 3 vis autoperceuses. Procédez de la même façon avec l'évent rigide extérieur.

C. Insérez les deux événements dans l'espaceur coupe-feu, en respectant les dégagements aux combustibles requis. En soutenant la terminaison (les inscriptions étant à l'endroit et lisibles), fixez-la au mur extérieur et rendez-la étanche en la scellant avec du calfeutrage (non fourni).

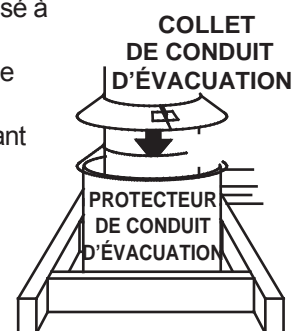
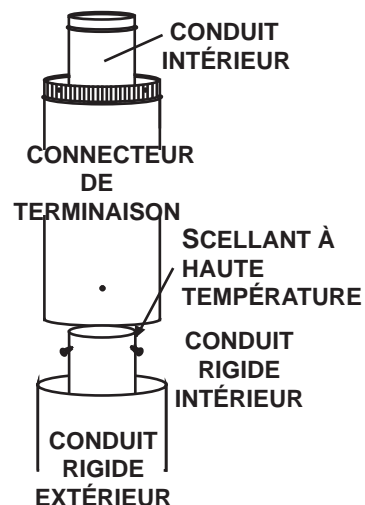


La plaque de montage de la terminaison peut être enchâssée dans le mur ou le revêtement extérieur, sans excéder l'épaisseur de la bride.

26.1A

4.3.2 INSTALLATION DE LA TERMINAISON VERTICALE

- A. Mettez l'appareil en place.
- B. Fixez le support de toit au toit à l'aide des vis fournies. Le support de toit est optionnel. Dans ce cas, l'évent doit être supporté adéquatement, soit en utilisant une méthode alternative se conformant aux normes des autorités compétentes, soit en utilisant le support de toit optionnel.
- C. Appliquez du scellant à haute température (non fourni) sur le rebord extérieur du manchon intérieur de la terminaison. Glissez une bague d'accouplement sur le manchon à au moins 2 po (51 mm) de l'extrémité de celui-ci et fixez-la avec au moins trois vis.
- D. Appliquez du scellant à haute température (non fourni) sur le rebord extérieur du manchon extérieur de la terminaison. Glissez une bague d'accouplement sur le manchon et fixez comme auparavant. Taillez la bague d'accouplement extérieure à la même longueur que la bague d'accouplement intérieure.
- E. Faites passer l'ensemble de terminaison à travers le support de toit. Fixez l'ensemble de terminaison au support de toit en vous assurant que la section de terminaison excède le toit d'au moins 16" (406mm) une fois fixée. Si l'espace du grenier est restreint, nous recommandons de visser le collet de conduit d'évacuation Wolf Steel ou l'équivalent sans serrer dans l'ensemble de la terminaison lorsqu'il est passé à travers le grenier. La terminaison doit être verticale et d'aplomb.
- F. Enlevez les clous des bardeaux sur le dessus et les côtés de la cheminée. Placez le solin par-dessus la terminaison et glissez-le sous les côtés et le bord supérieur des bardeaux. Assurez-vous que la terminaison est bien centrée dans le solin, en laissant une marge de 3/4" (19mm) tout autour. Fixez-le au toit. NE clouez PAS à travers la partie inférieure du solin. Imperméabilisez-le en le scellant avec du calfeutrage. Si possible, recouvrez les côtés et le bord supérieur du solin avec des matériaux de couvertures.
- G. Appliquez un généreux joint de calfeutrage à l'épreuve de l'eau à 2" (51mm) au-dessus du solin. Installez le collet de solin autour du connecteur de terminaison et glissez-le jusqu'à la ligne de calfeutrage. Serrez afin d'assurer l'étanchéité entre le connecteur de terminaison et le collet.
- H. Continuez d'ajouter des sections rigides d'évacuation, fixez et scellez comme ci-dessus. Installez le manchon télescopique intérieur en position fermé à la dernière section de conduit rigide. Fixez-le avec des vis et scellez. Procédez de la même façon avec le manchon télescopique extérieur.
- I. Appliquez un joint de scellant à haute température (non fourni) sur le côté extérieur du collet de conduit d'évacuation intérieur sur l'appareil. Glissez le manchon télescopique sur une longueur d'au moins 2" (51mm) par-dessus le collet de conduit d'évacuation. Fixez avec un minimum de trois vis. Procédez de la même façon avec le manchon télescopique extérieur.
- J. Dans le grenier, faites glisser le collet de conduit d'évacuation vers le bas afin de recouvrir l'extrémité ouverte du protecteur de conduit d'évacuation et serrez. Ceci empêchera tout matériau, tel que l'isolant, de remplir l'espace vide de 1" (25mm) autour de l'évent.



27.2A

4.3.3 RESTREIGNANT DES ÉVÉNEMENTS VERTICAUX

Certaines configurations d'évacuation verticales peuvent avoir une flamme très active. Si cette apparence n'est pas désirée, la sortie du conduit d'évacuation doit être réduite en utilisant une plaque de restriction (la trousse appropriée a été fournie). Ceci diminuera la vélocité des gaz de combustion, ralentissant ainsi le mouvement de la flamme et créant une apparence plus traditionnelle. Les instructions sont incluses avec l'ensemble.

77.4

4.4 TERMINAISON VERTICALE À TRAVERS UNE CHEMINÉE EXISTANTE

! AVERTISSEMENT**RISQUE D'INCENDIE!**

LES CONFIGURATIONS D'ÉVACUATION COAXIALES À COLINÉAIRES NE DOIVENT ÊTRE UTILISÉES QUE DANS UNE CHEMINÉE OU UNE ENCEINTE DE NATURE INCOMBUSTIBLE. UNE INSTALLATION DANS UNE ENCEINTE COMBUSTIBLE PEUT CAUSER UN INCENDIE.

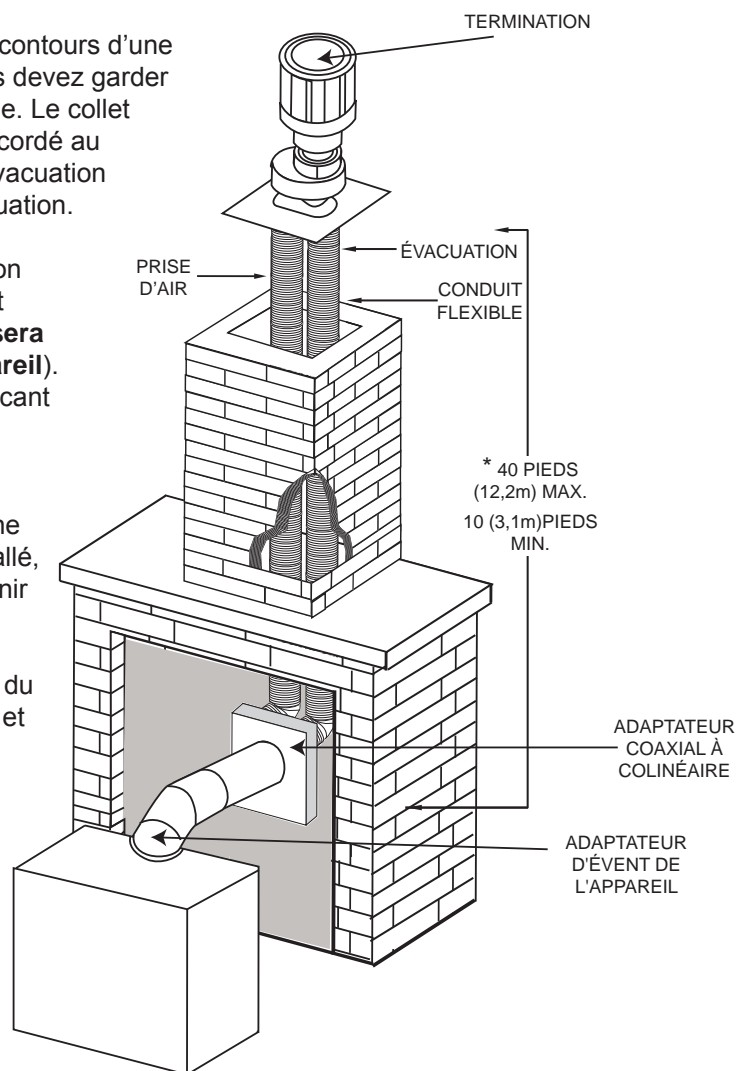
Cet appareil est conçu pour être raccordé à un système d'évent flexible colinéaire de 3" (76,2mm) en aluminium se prolongeant sur toute la longueur de la cheminée de maçonnerie.

Les conduits flexibles s'adaptent à tous les contours d'une cheminée de maçonnerie. Néanmoins, vous devez garder les conduits flexibles aussi droit que possible. Le collet de prise d'air de la terminaison doit être raccordé au conduit flexible de prise d'air et le collet d'évacuation de la terminaison au conduit flexible d'évacuation.

Les adaptateurs colinéaire à coaxial Simpson Duravent et Selkirk sont approuvés pour cet appareil (**NOTE : Un adaptateur d'évent sera nécessaire directement à partir de l'appareil**). Suivez les instructions d'installation du fabricant du système d'évacuation.

Des composants d'évacuation de différents fabricants ne doivent pas être combinés. Une fois que l'adaptateur de votre choix est installé, le reste du système d'évacuation doit provenir du même fabricant.

La seule exception à cette règle est l'usage du système de conduit flexible de 3" (76,2mm) et de terminaison colinéaire Wolf Steel.



* Mesurée à partir de la buse de l'appareil jusqu'au collet de la terminaison.

7.6A

4.5 INSTALLATION DANS UNE MAISON MOBILE

Cet appareil homologué pour les maisons mobiles et préfabriquées possède des éléments de fixation. L'appareil est muni de deux trous de $\frac{1}{4}$ " (6,4mm) de diamètre, situés aux coins avant, gauche et droit de la base. Lors d'une installation dans une maison mobile, l'appareil doit être fixé au plancher. Fixez à l'aide de vis #10 à tête hexagonale insérées dans les trous de la base. Éteignez toujours la veilleuse et l'alimentation en gaz à la source avant de déplacer la maison mobile. Après avoir déplacé la maison mobile et avant d'allumer l'appareil, assurez-vous que les bûches sont placées correctement.

Cet appareil est certifié pour être installé dans une maison mobile installée de façon permanente, sauf si les codes locaux l'interdisent. Cet appareil ne doit être utilisé qu'avec le type de gaz indiqué sur la plaque d'homologation. On ne peut utiliser cet appareil avec d'autres types de gaz, sauf si un ensemble de conversion certifié est utilisé.

Ensembles de conversion

L'appareil pour maison mobile peut être converti au gaz naturel (GN) ou au propane (PL). Pour effectuer une conversion, veuillez consulter votre détaillant autorisé.

29.6

! AVERTISSEMENT

RISQUE D'INCENDIE, D'EXPLOSION OU D'ASPHYXIE. ASSUREZ-VOUS QU'IL N'Y AIT AUCUNE SOURCE D'ALLUMAGE COMME DES ÉTINCELLES OU UNE FLAMME NUE.

SOUTENEZ LE CONTRÔLE DU GAZ LORSQUE VOUS ATTACHEZ LE TUYAU POUR ÉVITER DE PLIER LA CONDUITE DE GAZ.

ALLUMEZ TOUJOURS LA VEILLEUSE, QUE CE SOIT POUR LA PREMIÈRE FOIS OU LORSQUE L'APPROVISIONNEMENT EN GAZ EST ÉPUISÉ, AVEC LA PORTE VITRÉE OUVERTE OU RETIRÉE. LA PURGE DOIT ÊTRE EFFECTUÉE PAR UN TECHNICIEN QUALIFIÉ. ASSUREZ-VOUS QUE L'ARRIVÉE DE GAZ AU BRÛLEUR EST CONTINUE AVANT DE FERMER LA PORTE. ASSUREZ-VOUS D'UNE VENTILATION ADÉQUATE. POUR LES EMPLACEMENTS DE L'ENTRÉE DU GAZ ET DE L'ENTRÉE ÉLECTRIQUE, VOIR LA SECTION « DIMENSIONS ».

LORSQUE LE BRANCHEMENT EST TERMINÉ, TOUS LES RACCORDS DE GAZ DOIVENT SE TROUVER À L'INTÉRIEUR DU FOYER.

LES PRESSIONS ÉLEVÉES ENDOMMAGERONT LA SOUPE. L'ALIMENTATION EN GAZ DOIT ÊTRE DÉBRANCHÉE PENDANT LES ESSAIS DE PRESSION DE CE SYSTÈME LORSQUE LES PRESSIONS D'ESSAI EXCÈDENT ½ LB/PO² (3,5 KPA).

LES RÉGLAGES DE LA SOUPE ONT ÉTÉ FAITS EN USINE; NE LES MODIFIEZ PAS.

L'installation et l'entretien doivent être effectués par un installateur qualifié.

- A. Mettez l'appareil en place et fixez-le.
- B. Si l'appareil est muni d'un raccord flexible, celui-ci est conçu pour recevoir une conduite de gaz de 1/2". Sans raccord flexible, l'appareil est conçu pour recevoir une conduite de gaz de 3/8". L'appareil est muni d'une soupape d'arrêt manuelle pour fermer l'alimentation en gaz.
- C. Branchez le gaz en conformité avec les codes locaux. En l'absence de codes locaux, l'installation doit être conforme au Code d'installation du gaz CAN/CSA-B149.1 dans sa version pour le Canada ou le National Fuel Gas Code, ANSI Z223.1 / NFPA 54 pour les États-Unis.
- D. Lorsque vous manipulez des conduites de gaz, soutenez la soupape de gaz pour éviter que les conduites ne se plient.
- E. Le raccord flexible de l'alimentation en gaz devrait être suffisamment mobile pour permettre de placer l'assemblage du brûleur sur le côté.
- F. Vérifiez pour des fuites de gaz en appliquant une solution d'eau savonneuse. **N'utilisez pas une flamme nue.**

30.1A

4.7 INTERRUPTEUR MURAL OPTIONNEL

! AVERTISSEMENT

NE RACCORDEZ PAS L'INTERRUPTEUR MURAL, LE THERMOSTAT OU LA SOUPE DE GAZ À L'ALIMENTATION ÉLECTRIQUE DE 110 VOLTS.


Pour faciliter l'accès, un interrupteur mural ou un thermostat millivolt optionnel peut être installé à un endroit pratique. Passez un fil millivolt à deux brins (noyau solide) de la soupape à l'interrupteur mural ou au thermostat millivolt. La longueur maximale dépend du calibre du fil :

DIAMÈTRE DU FIL	LONGUEUR MAX.
Calibre 14 (1,8mm)	100 pieds (30,5m)
Calibre 16 (1,5mm)	60 pieds (18,3m)
Calibre 18 (1,2mm)	40 pieds (12,2m)

* Voir la section "SCHÉMA DE CÂBLAGE"

50.6

5.0 OSSATURE

 AVERTISSEMENT
RISQUE D'INCENDIE!
AFIN D'ÉVITER LA POSSIBILITÉ QUE DE L'ISOLATION OU UN COUPE-VAPEUR ENTRENT EN CONTACT AVEC L'EXTÉRIEUR DU CAISSON, IL EST CONSEILLÉ D'INSTALLER L'APPAREIL CONTRE DES MURS FINIS (C.-À-D. PANNEAU DE GYPSE) COMME TOUT AUTRE MUR DE LA MAISON. CECI ASSURERA QUE LE DÉGAGEMENT AUX MATÉRIEAUX COMBUSTIBLES EST MAINTENU.
NE FAITES PAS D'ENTAILLES À L'OSSATURE AUTOUR DES ESPACEURS. NE PAS MAINTENIR LES DÉGAGEMENTS PEUT CAUSER UNE SURCHAUFFE ET UN INCENDIE. EMPÊCHEZ TOUT CONTACT AVEC DE L'ISOLANT QUI S'AFFAISSE, AVEC L'OSSATURE OU AVEC TOUT AUTRE MATÉRIAU COMBUSTIBLE. BLOQUEZ L'ENTRÉE DE L'ENCEINTE POUR EMPÊCHER L'INFILTRATION D'ISOLANT SOUFFLÉ. ASSUREZ-VOUS QUE L'ISOLATION ET LES AUTRES MATÉRIEAUX SONT BIEN FIXÉS.
LORSQUE VOUS CONSTRUISEZ L'ENCEINTE, PRÉVOYEZ L'ÉPAISSEUR DES MATÉRIEAUX DE FINITION POUR MAINTENIR LES DÉGAGEMENTS. SI L'OSSATURE OU LES MATÉRIEAUX DE FINITION SE TROUVENT À UNE DISTANCE INFÉRIEURE À CELLE INDICQUÉE, ILS DOIVENT ÊTRE FAITS ENTIÈREMENT DE MATÉRIEAUX NON COMBUSTIBLES. LES MATÉRIEAUX FAITS ENTIÈREMENT D'ACIER, DE FER, DE BRIQUE, DE TUILE, DE BÉTON, D'ARDOISE, DE VERRE OU DE PLÂTRE, OU D'UNE COMBINAISON DE CES MATÉRIEAUX, SONT APPROPRIÉS. LES MATÉRIEAUX RÉPONDANT À LA NORME ASTM E 136, MÉTHODE DE TEST STANDARD DU COMPORTEMENT DES MATÉRIEAUX DANS UNE FOURNAISE AVEC TUBE VERTICAL À 1382° F (750°C), ET À LA NORME UL763 SONT CONSIDÉRÉS COMME ÉTANT DES MATÉRIEAUX NON COMBUSTIBLES.
AFIN D'ÉVITER UN RISQUE D'INCENDIE, LES DÉGAGEMENTS MINIMAUX AUX MATÉRIEAUX COMBUSTIBLES DOIVENT ÊTRE MAINTENUS.
L'ENCEINTE DE L'APPAREIL DOIT RESPECTER LA HAUTEUR MINIMALE REQUISE. MESUREZ À PARTIR DE LA BASE DE L'APPAREIL.
SI DES ENSEMBLES DE MONTANTS EN ACIER AVEC PANNEAU DE CIMENT SONT FOURNIS, OU SPÉCIFIÉ DANS LES INSTRUCTIONS D'INSTALLATION, ILS DOIVENT ÊTRE INSTALLÉS.
LES MATÉRIEAUX DE FINITION DOIVENT ÊTRE NON COMBUSTIBLES PLACER ÉCLAT AVEC LA FACE DE L'APPAREIL ÉTENDUE DU SOMMET DE L'APPAREIL COMME LE CONSEIL DE CIMENT, LE CARREAU EN CERAMIQUE, LE MARBRE, ETC. NE PAS UTILISÉ DES BÛCHES OU LE CLOISON SECHE. N'IMPORTE QUEL FEU A ÉVALUÉ DU CLOISON SÈCHE N'EST PAS ACCEPTABLE.

71.1B

Il est préférable de construire l'ossature après que l'appareil est en place et que le système d'évacuation est installé. Construisez conformément aux exigences des codes du bâtiment locaux.

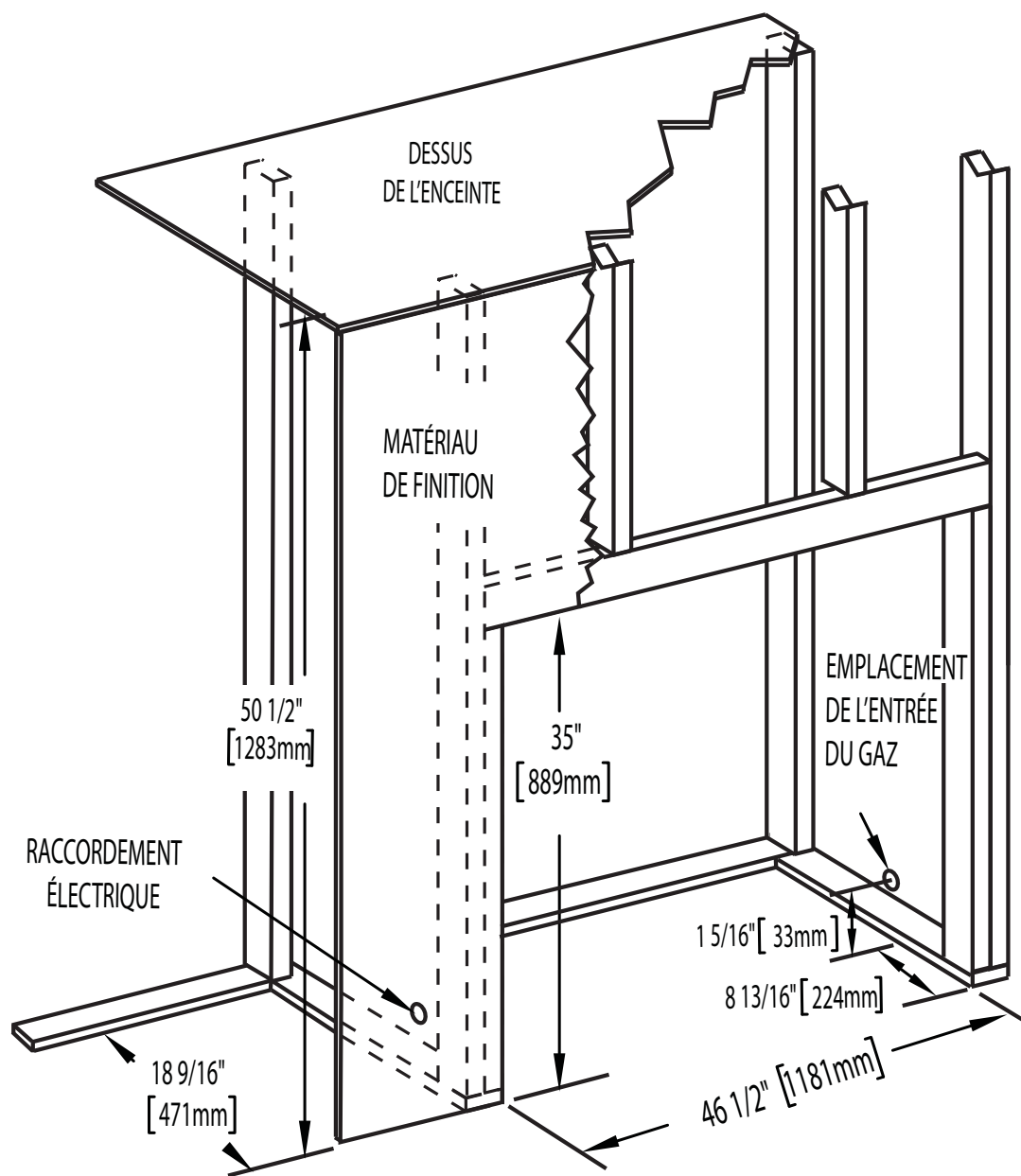
Il n'est pas nécessaire d'installer une base de protection avec ce type d'appareil.

Lorsque vous mettez l'appareil en place, surélevez-le de façon à prévoir l'épaisseur du plancher fini, c.-à-d. tuiles, tapis ou bois franc, car s'ils n'ont pas été prévus, ils nuiront à l'ouverture de la porte d'accès inférieure et à l'installation de plusieurs ensembles de contours.

Les matériaux combustibles peuvent être installés à égalité avec le devant de l'appareil, mais ils ne doivent recouvrir aucune surface peinte en noir du devant de l'appareil. Les matériaux incombustibles (briques, pierres, carreaux de céramique) peuvent empiéter sur la partie noire.

FR

5.1 DIMENSIONS MINIMALES DE L'OSSATURE



Dégagements minimaux de l'appareil aux matériaux combustibles :**Ossature combustible :**

- 0" aux espaceurs
- 1" (25mm) en dessous et sur les côtés du conduit d'évent*
- 3" (76mm) au-dessus du conduit d'évent*

Finition combustible :

- 0" à l'arrière
- 0" des côtés et du dessus en façade

Évacuation sur le dessus

- 50 1/2" (1283mm) du haut de l'enceinte jusqu'à la base de l'appareil
- 54" (1372mm) du plafond jusqu'à la base de l'appareil

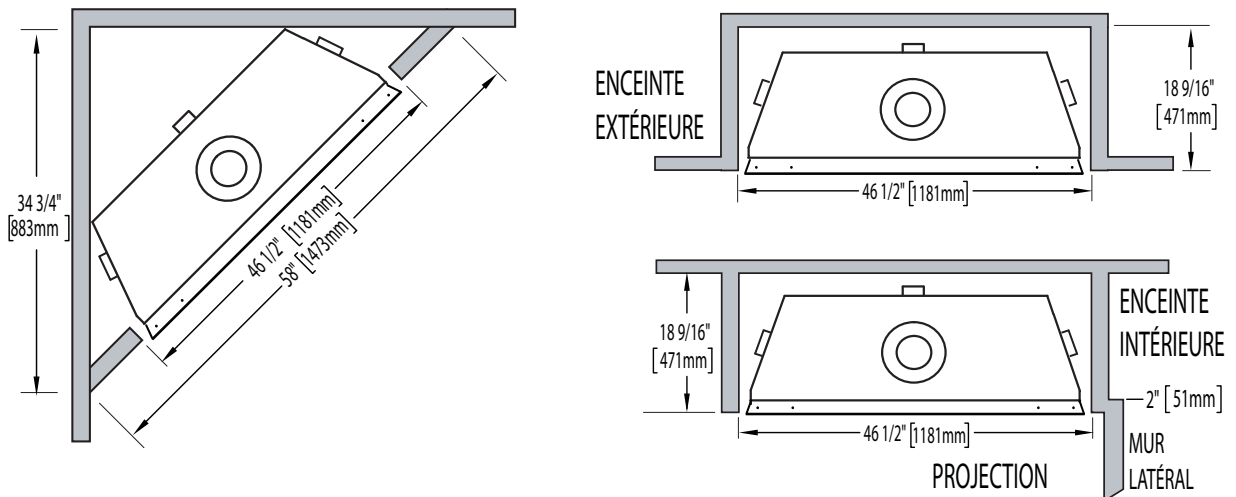
Évacuation sur l'arrière

- 36" (914mm) du haut de l'enceinte jusqu'à la base de l'appareil
- 54" (1372mm) du plafond jusqu'à la base de l'appareil

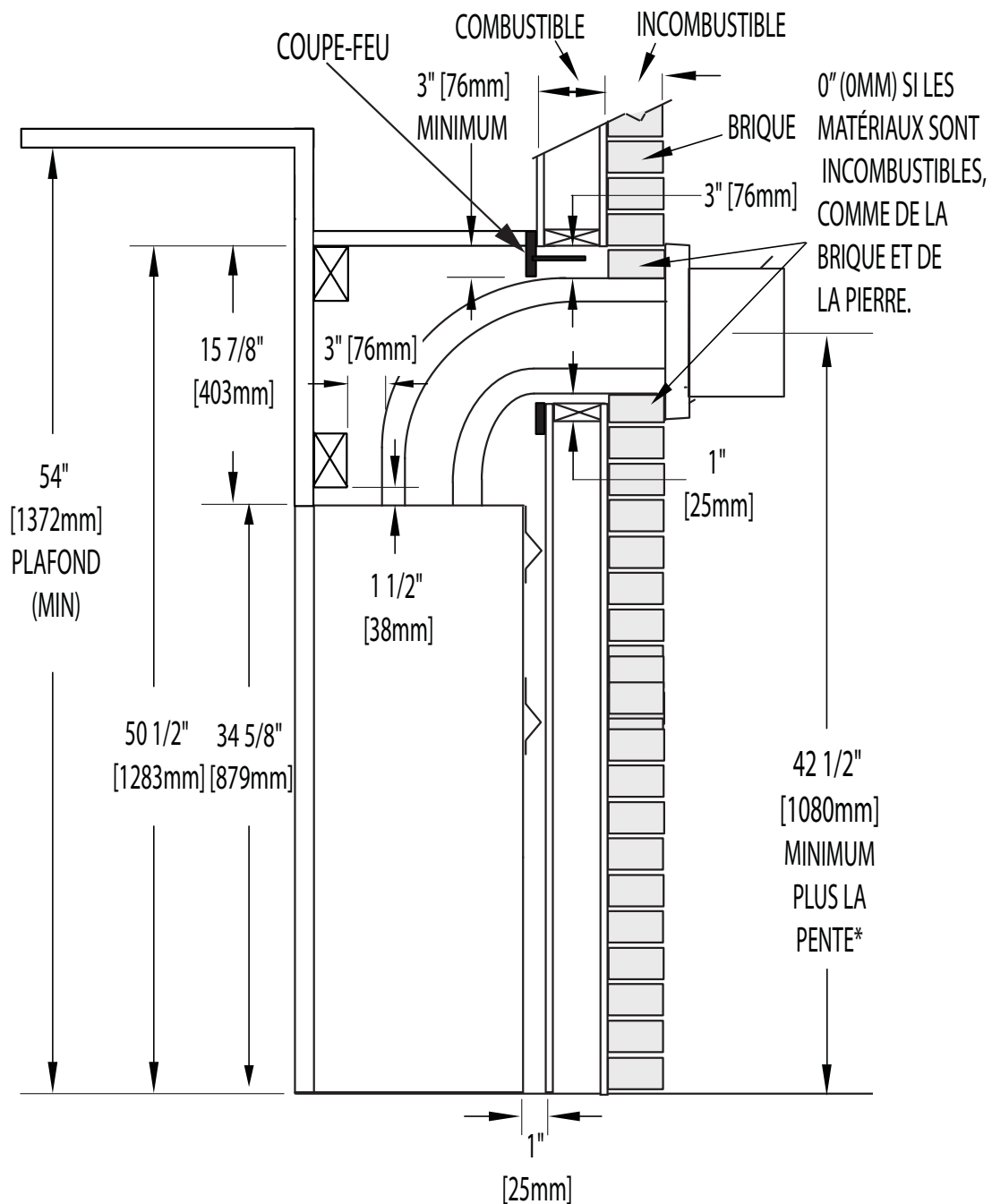
* **SECTIONS D'ÉVENTS HORIZONTALES:** Un dégagement minimal aux matériaux combustibles de 1" (25mm) au-dessous et sur les côtés de l'évent et de 3" (76mm) au-dessus doit être maintenu sur toutes les courses horizontales. Utilisez l'espaceur coupe-feu W010-1777 (fourni).

NOTE: Les dégagements minimaux entre le haut de l'évent et les matériaux combustibles peut être réduite de 3" (76mm) à 1" (25mm) dans ces installations avec une event verticale de minimum 38" (965mm) faite immédiatement au colet due l'appareil.

* **SECTIONS D'ÉVENTS VERTICALES:** Un dégagement minimal aux matériaux combustibles de 1" (25mm) est requis sur toutes les courses verticales à l'exception des dégagements à l'intérieur de l'enceinte de l'appareil. Voir la section « DÉGAGEMENTS MINIMAUX DE L'ENCEINTE ». Utilisez l'espaceur coupe-feu W500-0096 (non fourni).



5.2 DÉGAGEMENTS MINIMAUX DE L'ENCEINTE ÉVACUATION SUR LE DESSUS

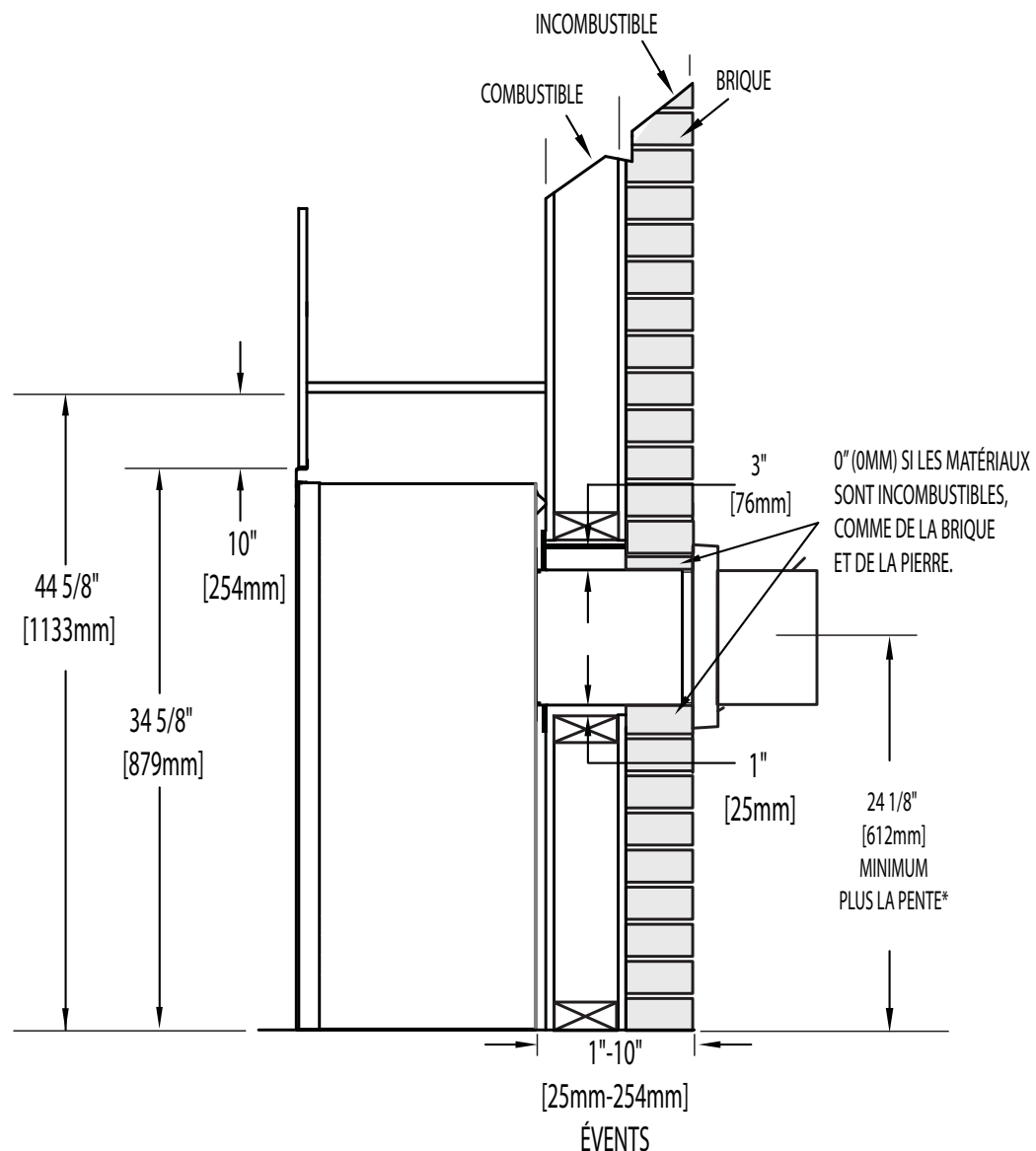


ENCEINTE AVEC ÉVACUATION SUR LE DESSUS

L'enceinte de l'appareil doit avoir une hauteur minimale de 50 1/2" (1283 mm). Afin de respecter les contraintes de température, l'espace à l'intérieur de l'enceinte, autour de l'appareil et au-dessus, doit demeurer sans obstruction.

DÉGAGEMENTS MINIMAUX DE ÉVACUATION À L'ARRIÈRE

Pour la ventilation arrière ne dépassement pas 10" (254mm) de section horizontale de ventilation.



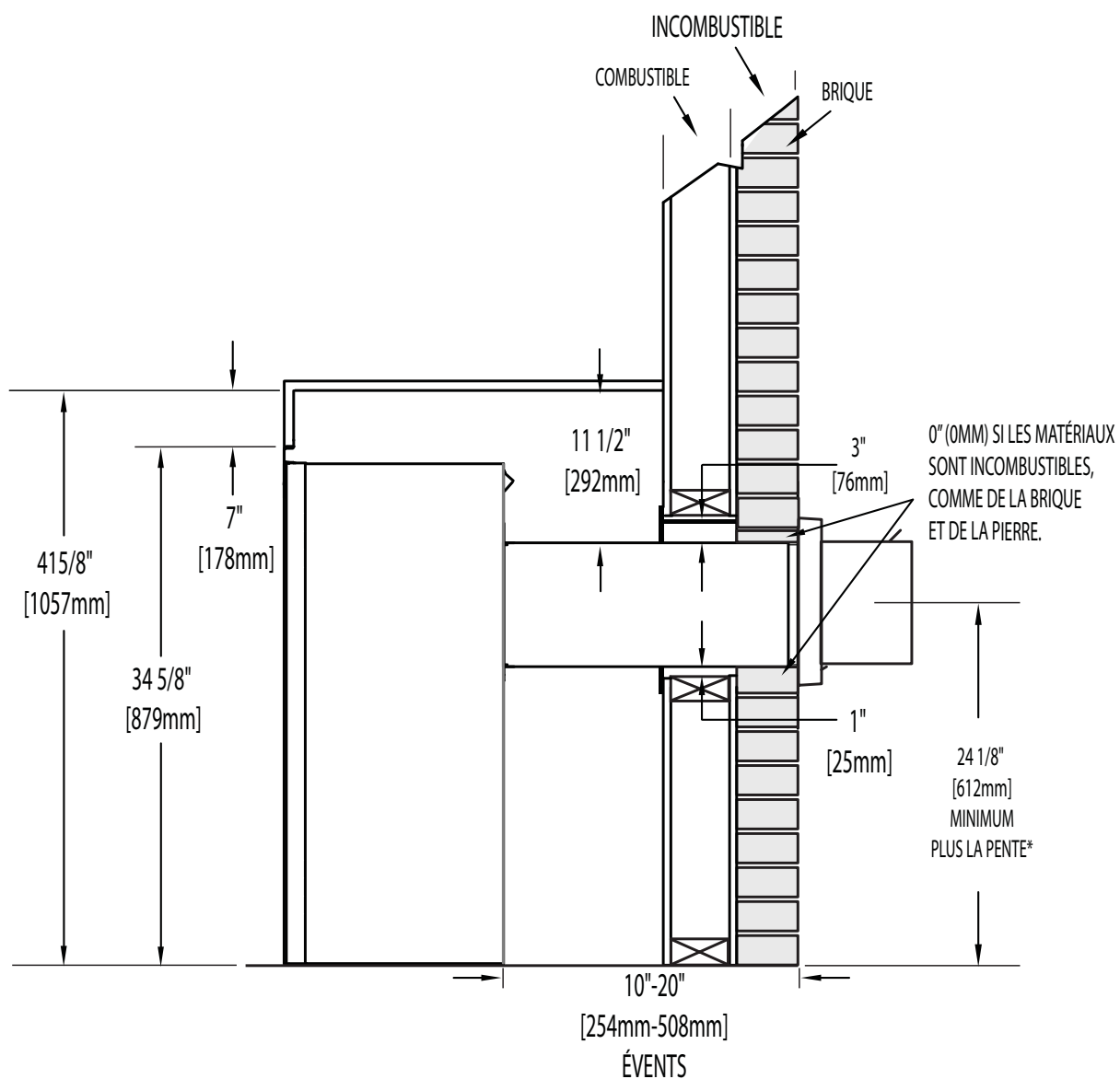
ENCEINTE AVEC ÉVACUATION À L'ARRIÈRE

L'enceinte de l'appareil doit avoir une hauteur minimale de 44 5/8" (1133mm). Afin de respecter les contraintes de température, l'espace à l'intérieur de l'enceinte, autour de l'appareil et au-dessus, doit demeurer sans obstruction.

* Voir la section « ÉVACUATION »

DÉGAGEMENTS MAXIMAUX DE ÉVACUATION À L'ARRIÈRE (EXEMPLE 1)

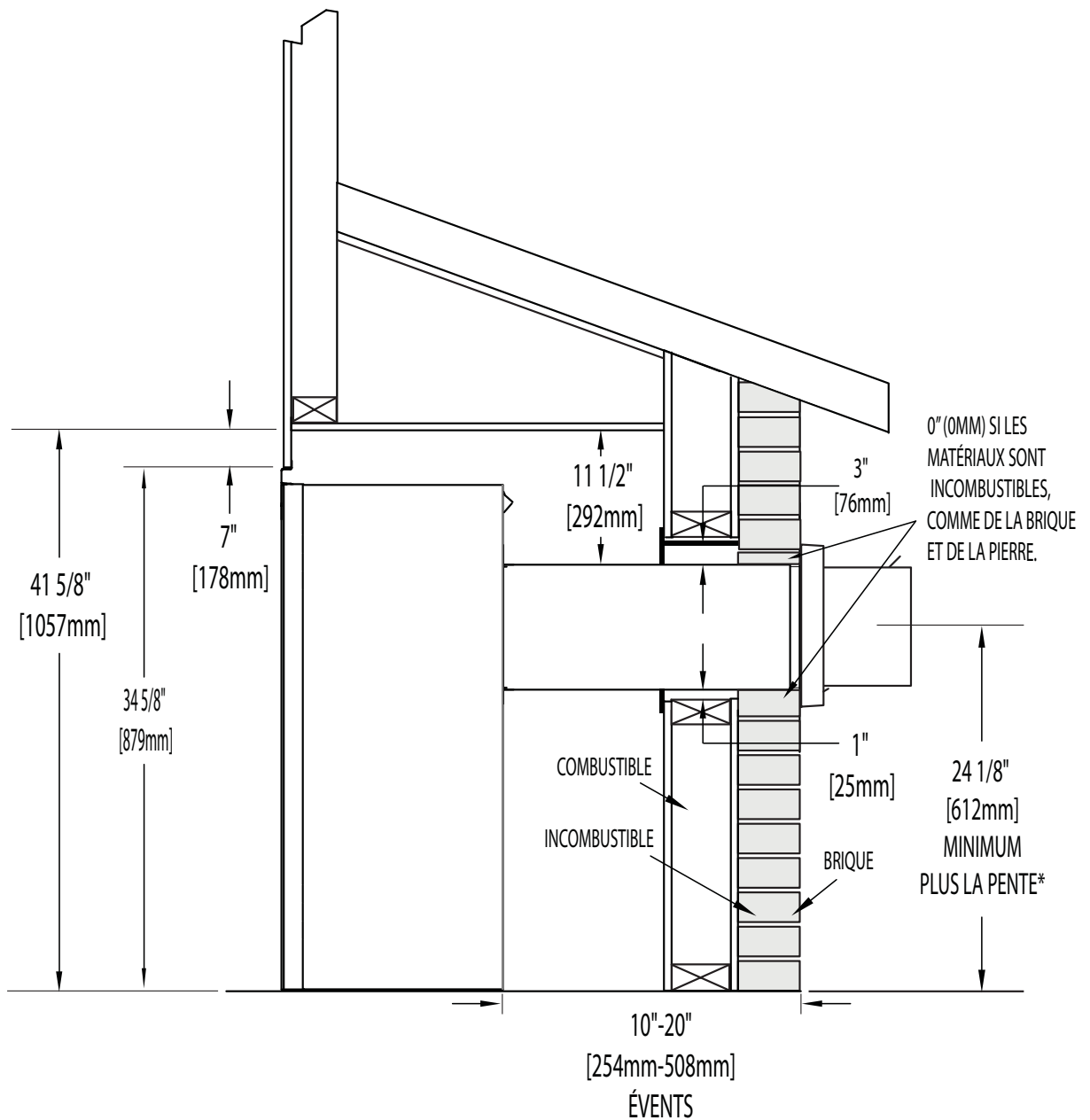
FR



ENCEINTE AVEC ÉVACUATION À L'ARRIÈRE

L'enceinte de l'appareil doit avoir une hauteur minimale de 41 5/8" (1057mm). Afin de respecter les contraintes de température, l'espace à l'intérieur de l'enceinte, autour de l'appareil et au-dessus, doit demeurer sans obstruction.

DÉGAGEMENTS MAXIMAUX DE ÉVACUATION À L'ARRIÈRE (EXEMPLE 2)

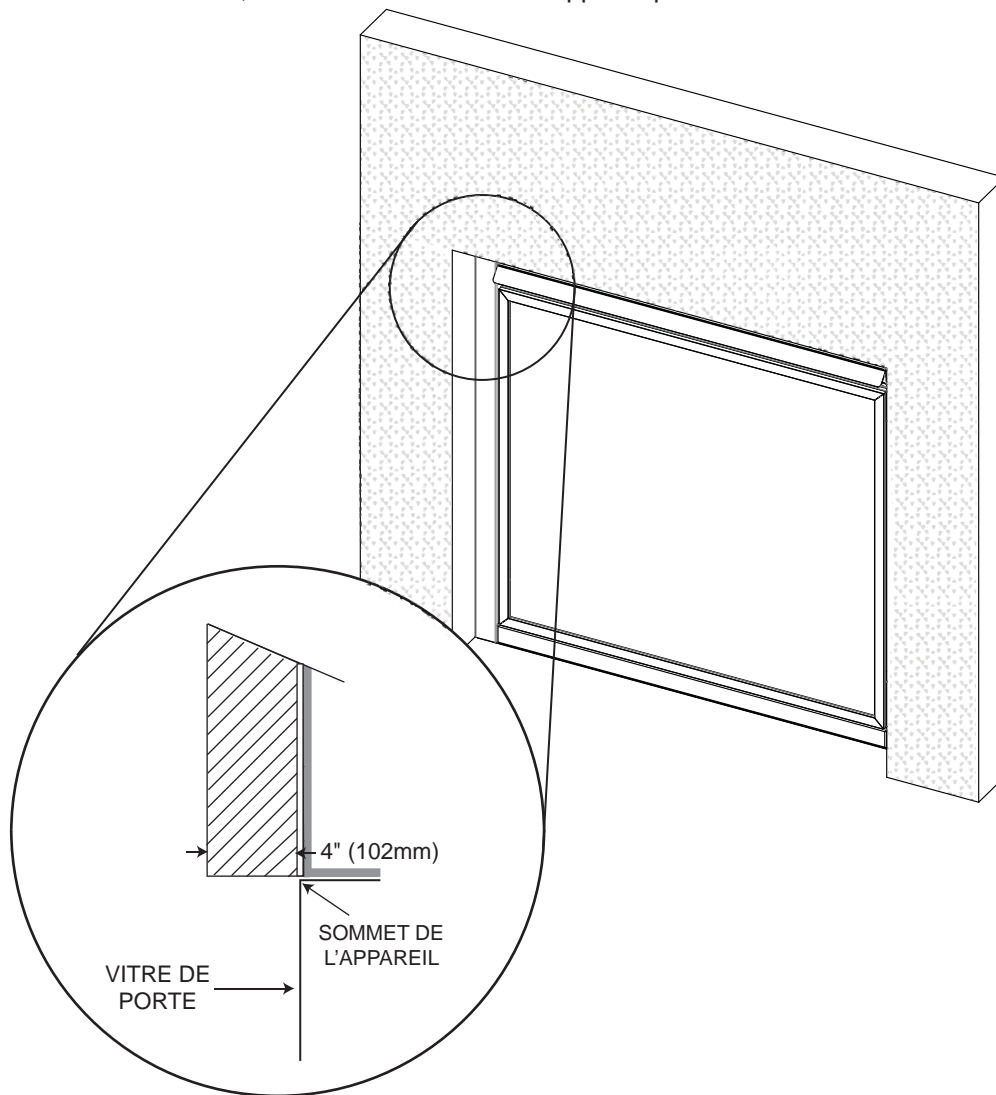


ENCEINTE AVEC ÉVACUATION À L'ARRIÈRE

L'enceinte de l'appareil doit avoir une hauteur minimale de 41 5/8" (1057mm). Afin de respecter les contraintes de température, l'espace à l'intérieur de l'enceinte, autour de l'appareil et au-dessus, doit demeurer sans obstruction.

5.3 MATÉRIAU DE FINITION INCOMBUSTIBLE

AVERTISSEMENT: Les matériaux de finition incombustibles ne doivent pas dépasser de plus 4" (101,6mm) la façade de la porte (sur toutes côtés). Si des projections plus grandes sont requises, augmentez les dégagements des côtés et du dessus de 2" (50,8mm) pour chaque pouce (24,5mm) supplémentaire de projection. Si vous utilisez un moulure optionnelle, les même règles s'applique, commençant du sommet du moulure. Garantir que les dégagements sont maintenus pour l'enlèvement du moulure, vous devez l'enlever de l'appareil pour l'entretien.



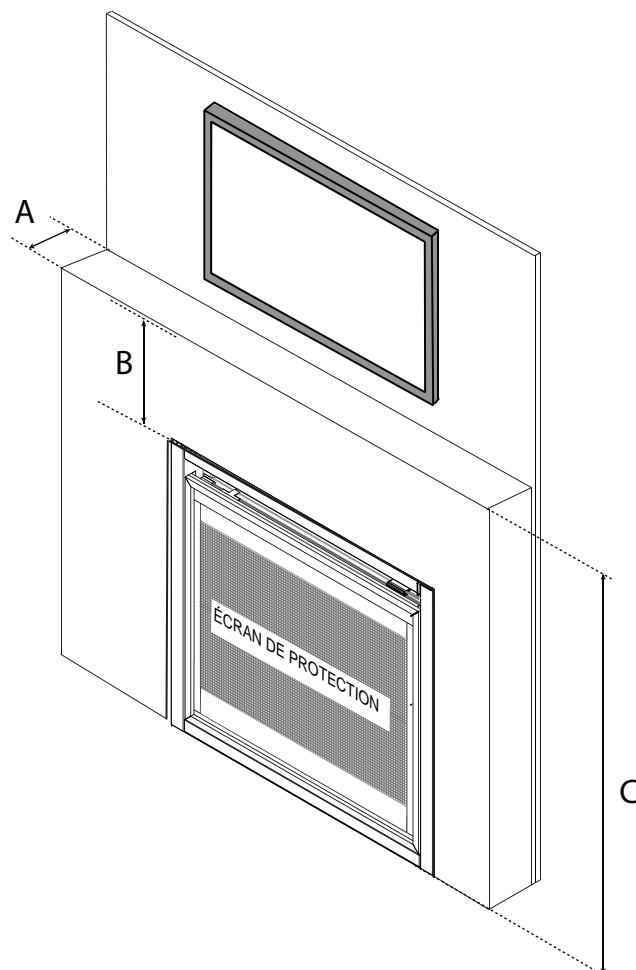
71.7

5.4 INSTALLATION ENCADRÉE

 **WARNING**

L'INSTALLATION D'UNE TÉLÉVISION OU D'AUTRES APPAREILS ÉLECTRONIQUES DESSUS DE L'APPAREIL PEUT PROVOQUER LA DÉCOLORATION, FUSION OU DOMMAGE L'APPAREIL ÉLECTRONIQUE. UTILISER LES DÉGAGEMENTS À TITRE INDICATIF ET SE RÉFÉRER AUX INSTRUCTIONS DE VOTRE FABRICANT POUR PLUS D'INFORMATIONS.

FR



DÉGAGEMENTS MINIMUM	
A	6" (152mm) MAX
B	10" (254mm) MIN
C*	41 ⁵ / ₈ " (1057mm) / 44 ⁵ / ₈ " (1133mm)

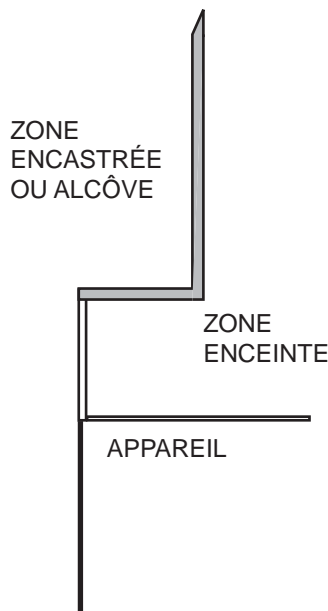
* Voir la section « DÉGAGEMENTS MINIMAUX DE L'ENCEINTE ».

Avant toute plaçant au-dessus d'une source de chaleur, il est conseillé de suivre les dégagements appropriés et les instructions du fabricant.

- A. L'installation d'une tablette entre une source de chaleur permettra de réduire l'effet de la chaleur directe sur les appareils électroniques ou autre matériaux places au-dessus d'une tablette. Suivez les instructions qui se réfèrent à l'hauteur et la profondeur de la tablette pour propre dégagements.
- B. Se référer à la section « DÉGAGEMENTS MINIMAUX DE LA TABLETTE » pour plus d'informations sur les dégagements de la cheminée.

5.5 INSTALLATION EN ALCÔVE

FR



NOTE : Les zones encastrées ou les alcôves au dessus de l'appareil peuvent être aussi profondes que désiré tant que les dégagements minimaux aux matériaux combustibles sont respectés.

Vous pouvez utiliser un matériau incombustible, pourvu que les dégagements minimaux aux matériaux combustibles soient appliqués.

Le volume minimal de l'enceinte doit être augmenté d'au moins la valeur du volume de la zone encastrée. Cet ajustement peut être réalisé en augmentant une ou toutes les dimensions de l'enceinte.

71.2

5.6 DÉGAGEMENTS MINIMAUX DE LA TABLETTE

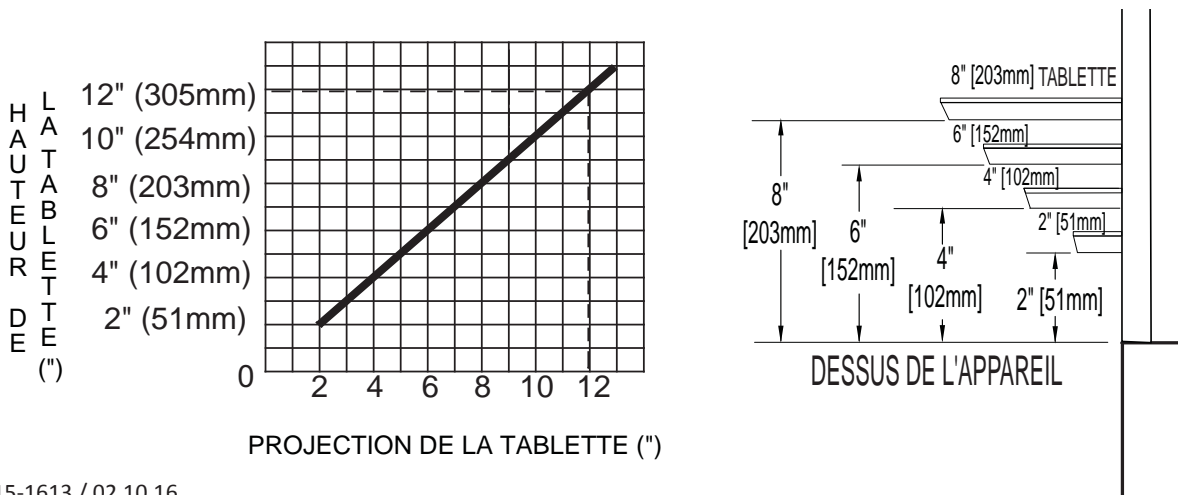
! AVERTISSEMENT

RISQUE D'INCENDIE. CONSERVEZ TOUS LES DÉGAGEMENTS AUX MATÉRIAUX COMBUSTIBLES SPÉCIFIÉS. NE PAS RESPECTER CES INSTRUCTIONS PEUT CAUSER UN INCENDIE OU UNE SURCHAUFFE. ASSUREZ-VOUS QUE TOUS LES DÉGAGEMENTS (ARRIÈRE, CÔTÉS, DESSUS, ÉVENTS, TABLETTE, FAÇADE, ETC.) SONT RESPECTÉS À LA LETTRE.

LORSQUE VOUS UTILISEZ DE LA PEINTURE OU DU VERNIS COMME FINITION POUR VOTRE TABLETTE, ASSUREZ-VOUS QU'ILS SOIENT RÉSISTANTS À LA CHALEUR AFIN DE PRÉVENIR LA DÉCOLORATION.

73.1

Le dégagement d'une tablette combustible à l'appareil peut varier selon la profondeur de la tablette. Utilisez le graphique pour vous aider à déterminer le dégagement nécessaire. Les mêmes dégagements aux matériaux combustibles s'appliquent pour toutes les surfaces en projection sur les côtés de l'appareil.



6.0 FINITIONS

! AVERTISSEMENT
RISQUE D'INCENDIE!
N'OBSTRUEZ JAMAIS L'OUVERTURE SUR LE DEVANT DE L'APPAREIL.
LA FAÇADE DE L'APPAREIL DOIT ÊTRE FAITE DE MATÉRIAUX INCOMBUSTIBLES COMME DE LA BRIQUÉ, DU MARBRE, DU GRANITE, ETC., À CONDITION QUE CES MATÉRIAUX NE SE TROUVENT PAS EN DEÇÀ DE LA DIMENSION SPÉCIFIÉE TEL QU'ILLUSTRÉ. COMME ALTERNATIVE, VOUS POUVEZ UTILISER LE PANNEAU DE GYPSE COMME FINITION POUR VOTRE APPAREIL, VOIR LES ILLUSTRATIONS À SUIVRE.
NE FRAPPEZ PAS, NE CLAQUEZ PAS ET N'ÉGRATIGNEZ PAS LA PORTE VITRÉE. NE FAITES PAS FONCTIONNER L'APPAREIL LORSQUE LA PORTE VITRÉE EST ENLEVÉE, FISSURÉE, BRISÉE OU ÉGRATIGNÉE.
LES MATÉRIAUX DE FAÇADE OU DE FINITION NE DOIVENT JAMAIS EMPIÉTER SUR L'OUVERTURE DE L'APPAREIL.

72.1A

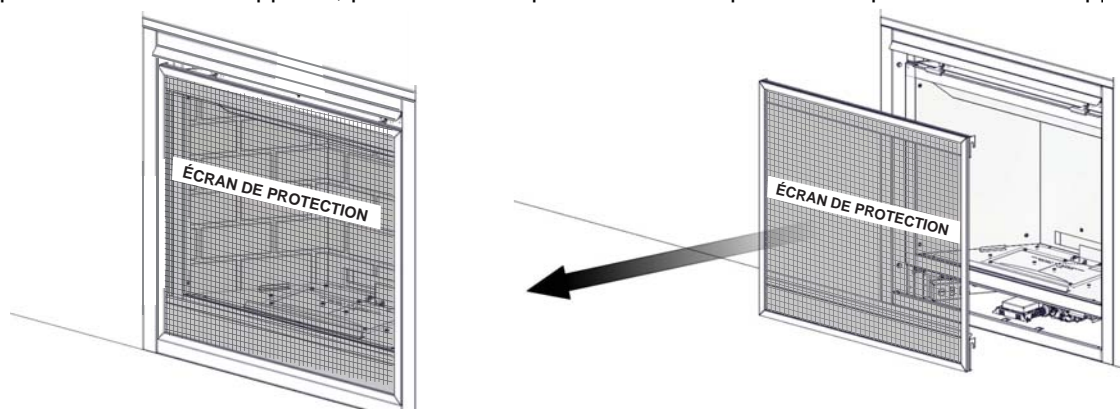
6.1 ENLÈVEMENT ET INSTALLATION DE LA PORTE ET L'ÉCRAN DE PROTECTION

! AVERTISSEMENT
LA VITRE PEUT ÊTRE CHAUDE, NE TOUCHEZ PAS LA VITRE JUSQU'À CE QU'ELLE AIT REFROIDI.
LES LOQUETS DE PORTE FONT PARTIE D'UN DISPOSITIF DE SÉCURITÉ ET DOIVENT ÊTRE ADÉQUATEMENT VERROUILLÉS. NE FAITES PAS FONCTIONNER L'APPAREIL LORSQUE LES LOQUETS SONT DÉVERROUILLÉS.
LES MATÉRIAUX DE FAÇADE ET DE FINITION NE DOIVENT PAS NUIRE À LA CIRCULATION DE L'AIR DANS LES OUVERTURES D'AIR ET LES PERSIENNES, NI AU FONCTIONNEMENT DES PERSIENNES OU DES PORTES. ILS NE DOIVENT PAS NON PLUS ENTRAVER L'ACCÈS POUR L'ENTRETIEN. RESPECTEZ TOUS LES DÉGAGEMENTS AUX MATÉRIAUX COMBUSTIBLES.
AVANT D'ENLEVER LA PORTE, ÉTEIGNEZ L'APPAREIL ET ATTENDEZ QUE CE DERNIER SOIT FROID AU TOUCHER. LES PORTES SONT LOURDES ET FRAGILES; MANIPULEZ AVEC SOIN.

75.1

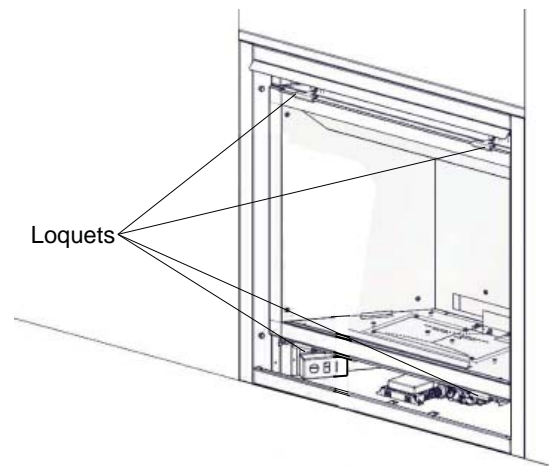
Une barrière conçu à réduire le risque de brûlures à partir de le chaude la vitre est à condition que avec l'appareil et sera être installés.

Avant d'enlever la porte vitrée, l'écran de protection doit être enlever. Soulevez l'écran de protection hors des 4 goupilles et enlever de l'appareil, puis inclinez la partie haut de la porte vitrée puis enlever de l'appareil.



Laissez une main sur la porte vitrée pendant l'enlèvement de la porte. La porte vitrée est maintenue en place par deux loquets situés en haut et deux loquets en bas de la porte. Tirez les poignées des loquets vers l'avant, puis retirez les loquets du cadre de porte afin de libérer le haut de la porte. Répétez la même opération pour les deux loquets inférieurs. Pivotez ensuite le haut de la porte vers l'avant jusqu'à ce que vous puissiez saisir les côtés. Soulevez la porte hors du dispositif de retenue inférieur. **NOTE: Ces système de décharge constitue le système de secours de printemps de l'appareil. Vérifiez si le système de décharge effectue efficacement.**

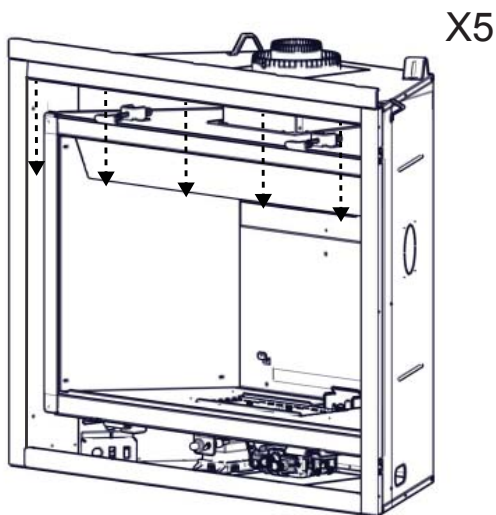
Inversez ces étapes pour réinstaller la porte et l'écran de protection. Assurez l'écran de protection est correctement installé.



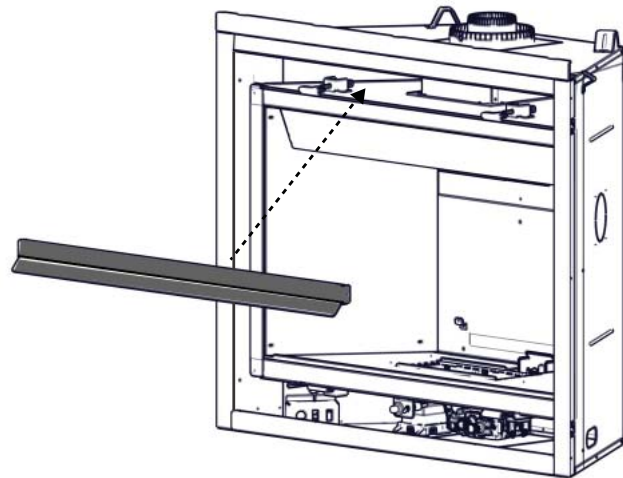
6.2 L'AVANT HOTTE D'INSTALLATION

NOTE: Cette hotte DOIT être installée.

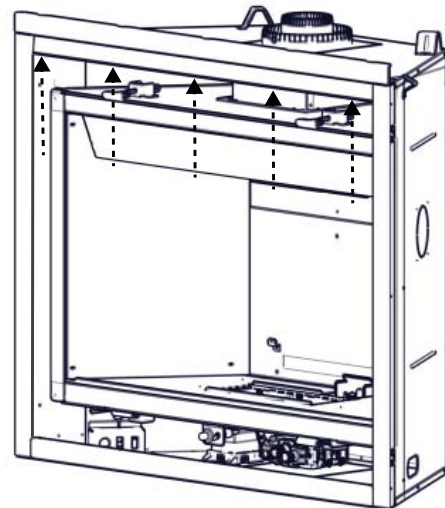
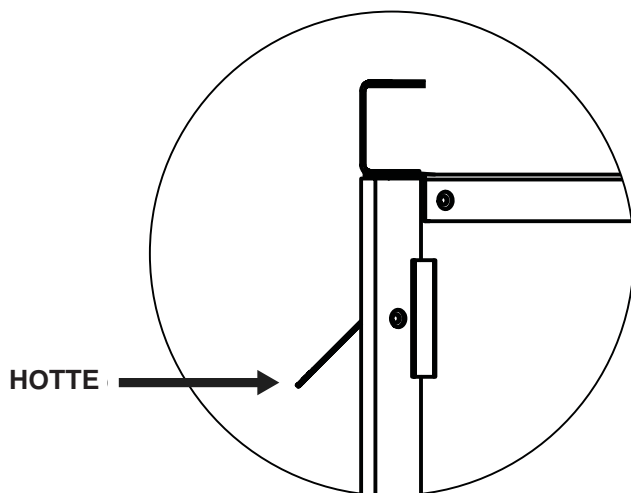
- A. La porte et l'écran de protection doivent être enlevés.
- B. Retirer les 5 vis de fixation de la partie supérieure de l'appareil, comme illustré.
- C. Installez l'avant hotte, assurez qu'elle est inclinée vers le bas lorsqu'il est installé.
- D. Reinstaller les 5 vis de fixation.



X5



VUE DU CÔTÉ

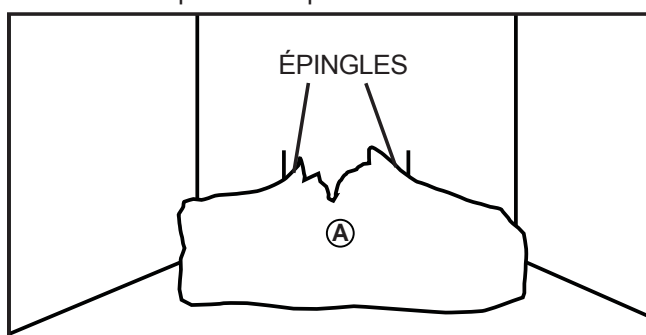


6.3 DISPOSITION DES BÛCHES

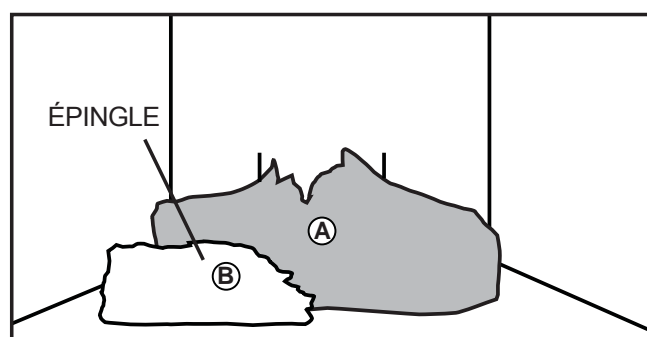
! AVERTISSEMENT
OMETTRE DE POSITIONNER LES BÛCHES CONFORMÉMENT AUX SCHÉMAS OU OMETTRE D'UTILISER UNIQUEMENT DES BÛCHES SPÉCIFIQUEMENT APPROUVÉES POUR CET APPAREIL PEUT CAUSER DES DOMMAGES MATÉRIELS OU DES BLESSURES CORPORELLES.
LES BÛCHES DOIVENT ÊTRE PLACÉES CORRECTEMENT À L'INTÉRIEUR DE L'APPAREIL. NE CHANGEZ PAS LA POSITION DES BÛCHES CAR L'APPAREIL RISQUE DE NE PAS FONCTIONNER ADÉQUATEMENT ET UN RETARD D'ALLUMAGE RISQUE DE SE PRODUIRE.
LES BÛCHES SONT FRAGILES ET DEVRAIENT ÊTRE MANIPULÉES AVEC SOIN.

76.1A

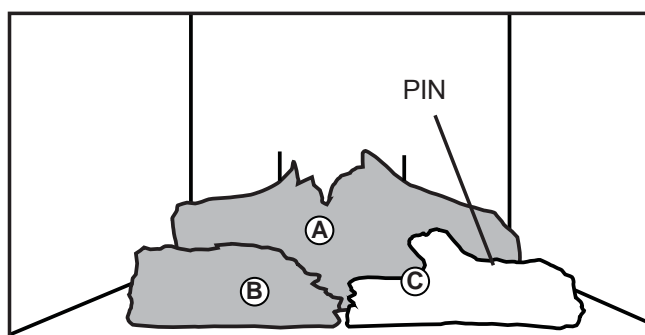
Les bûches **PHAZER^{MD}** et les braises incandescentes, exclusives aux appareils Napoléon, créent un effet incandescent réaliste et unique qui est différent dans chaque installation. Prenez le temps de bien installer les braises incandescentes pour obtenir le meilleur effet possible. La couleur des bûches peut varier. Lors de la première utilisation de l'appareil, les couleurs deviendront plus uniformes à mesure que leurs pigments seront « absorbés » pendant le procédé de « cuisson ».



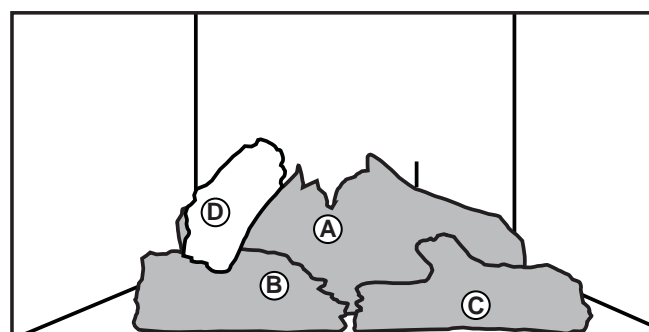
- A. Placez la bûche arrière (W135-0620) fermement sur les deux goujons à l'arrière du support. Assurez-vous que la bûche repose à plat et ne couvre pas l'ouverture du veilleuse. Placez les deux épingles dans les trous de la bûche arrière.



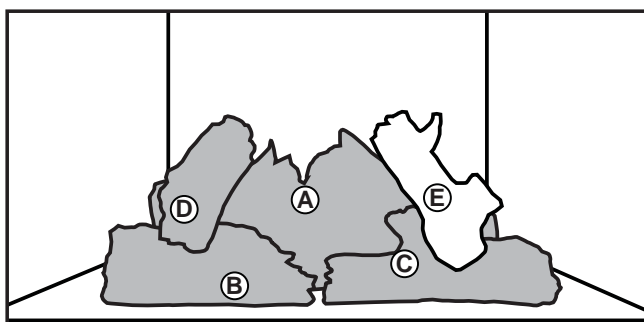
- B. Placez la bûche gauche (W135-0544) sur les deux goujons aux côté gauche du support.



- C. Placez la bûche droite (W135-0545) sur les deux goujons aux côté droite du support.



- D. Placez a bûche croisé gauche (W135-0546) sur l'épingle gauche du bûche arrière, il devrait se reposer sur l'encoche du bûche gauche.



E. Placez a bûche croisé droite (W135-0547) sur l'épingle droite du bûche arrière, il devrait se reposer sur l'encoche de la bûche droite.

F. Déchirez les braises incandescentes en petits morceaux placez-les sur le brûleur. Les braises seront incandescentes seulement lorsqu'elles sont exposées à une flamme directe.

G. Installez la porte et l'écran de protection

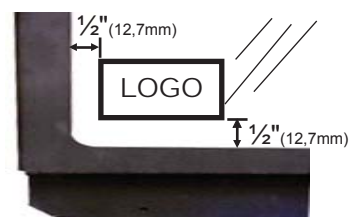
6.4 BRAISES INCANDESCENTES

Déchirez les braises incandescentes en morceaux et placez-les le long de la première rangée des orifices du brûleur en couvrant toute la surface à l'avant des petites bûches. Les braises devraient être déchirées très soigneusement en petits morceaux minces irréguliers, car seuls les côtés exposés des fibres deviendront incandescentes. **Les braises seront incandescentes seulement lorsqu'elles sont exposées à une flamme directe; cependant, prenez bien garde de ne pas boucher les orifices du brûleur.**

Le blocage des orifices du brûleur peuvent créer une flamme irrégulière, des dépôts de carbone et un retard d'allumage. Les bûches **PHAZER^{MD}** rougeoient lorsqu'elles sont exposées à une flamme directe. N'utilisez que des braises incandescentes et des bûches certifiées **PHAZER^{MD}**, disponibles chez votre détaillant autorisé.

6.5 MISE EN PLACE DU LOGO

Retirez le papier dorsal du logo et placez-le sur la porte vitrée tel qu'indiqué.



97.1A

6.6 INSTALLATION DU SAUVEGARDE DE PILE

**WARNING****COUPEZ L'ALIMENTATION EN GAZ ET L'ALIMENTATION ÉLECTRIQUE DE L'APPAREIL****L'APPAREIL PEUT ÊTRE CHAUD, NE TOUCHEZ PAS L'APPAREIL JUSQU'À CE QU'ELLE AIT REFROIDI.**

NOTE: En cas d'une panne de courant votre appareil peut fonctionner utilisant le sauvegarde de pile fourni.

- A. Ouvrez le gaz et l'électricité hors de l'appareil, avant de commencer l'installation.
- B. Trouver votre sauvegarde de pile, fourni aux sac du manuel.
- C. Installez 4 piles « AA » (non fourni) dans le bloc-piles du boîtier fourni, notez la polarité des piles puis insérez-les comme indiqué sur le couvercle (+/-). (Pour ouvrir le boîtier de batterie glisser le piece de l'arrière hors du boîtier de batterie).
- D. Enlever l'écran de protection en le levant vers le haut hors des quatre vis d'épaulement.
- E. Attacher les fils étiqueté « PILE » à partir de harnais de fils de l'appareil aux boîtier de batterie.
- F. Placez le boîtier de batterie dans la compartiment du soupape au-dessous du brûleur, garantir que le boîtier de batterie est placer dans un endroit facile d'accès.
- G. Garantir que l'écran de protection soit réinstallez pendant l'opération de l'appareil.
- H. Ouvrir l'alimentation de gaz et l'alimentation électrique pour fonctionner l'appareil.

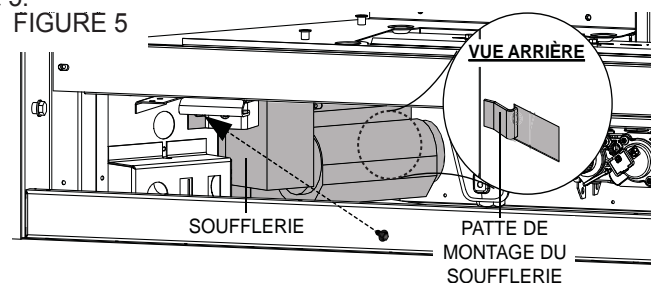
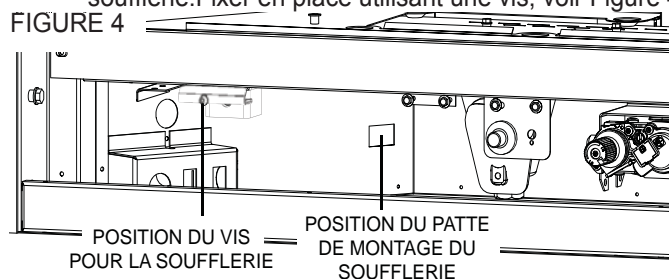
NOTE: Une fois que le courant a été rétabli, débrancher le sauvegarde de pile ou enlever les piles. Le système vidangera votre piles s'ils sont laissés dans le sauvegarde de pile.

6.7 INSTALLATION DE SOUFFLERIE OPTIONNEL

! AVERTISSEMENT

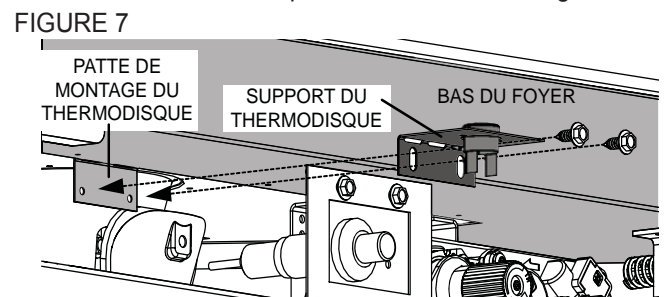
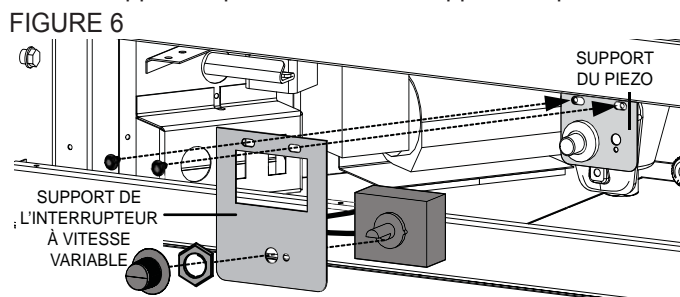
ASSUREZ-VOUS QUE L'APPAREIL EST COMPLÈTEMENT REFROIDI AVANT DE COMMENCER L'INSTALLATION. AFIN D'ÉVITER LES RISQUES DE SUFFOCATION, GARDEZ LE SAC D'EMBALLAGE LOIN DES BÉBÉS ET DES JEUNES ENFANTS. NE LE LAISSEZ PAS TRAÎNER DANS LES BERCEAUX, LES LITS, LES POUSETTES OU LES PARCS DE JEU. CE SAC N'EST PAS UN JOUET. NOUEZ-LE AVANT DE LE JETER.

- A. Soulevez le pare-étincelles et enlevez-le de l'appareil.
- B. Enlevez la porte de l'appareil en dégageant les quatre loquets.
- C. Débranchez le transformateur du module de commande et soulevez-le du bas de l'appareil, puis déplacez le module et le transformateur sur le côté pour faciliter l'installation. **(Seulement les appareils électrique)**
- D. Branchez les deux connecteurs de 1/4" (noir et blanc) du harnais de fils à la support aimanté du thermodisque.
- E. Branchez les deux connecteurs de 1/4" (noir et rouge) du harnais de fils à la soufflerie.
- F. Installez les bouchons claire fourni sur le fond du soufflerie pour éviter le frottement du soufflerie contre le plancher de l'appareil.
- G. Faites pivoter la soufflerie dans le bas de l'appareil, assurez que le joint d'étanchéité reste en place entre le soufflerie et le foyer pendant que vous glissez-le soufflerie contre la côté gauche dans la patte du montage du soufflerie. Fixer en place utilisant une vis, voir Figure 4 & 5.



NOTE: UTILISER L'ATTACHE FOURNI, ASSUREZ QUE TOUS LES FILS SOIT ÉLOIGNER DU SOUFFLERIE.

- H. Remettez le module de commande dans sa position originale. Assurez-vous que le transformateur est branché dans la prise arrière de la boîte électrique, comme indiqué à la Figure 2.
- I. L'interrupteur à vitesse variable (IVV) doivent être démonté pour fixer aux support IVV pour l'installation. Placez L'IVV entre le support puis fixer utilisant le rondelle de blocage. Prenez le bouton de l'interrupteur et installez-le en position, voir la Figure 6.
- J. Pour installer L'IVV le support de l'interrupteur à vitesse variable doivent être installés, enlever les deux vis du support du piezo, installez le support IVV puis fixer en place utilisant les deux vis précédemment enlever, Figure 6.



- K. Branchez le connecteur de l'IVV dans la prise correspondante du harnais de fils.
- L. Pour l'installation du support du thermodisque premièrement pliez le patte de montage, sur le bas du foyer, à 90 degrés, ce sera la patte de montage du thermodisque, voir la Figure 7.
- M. Pliez-le support du thermodisque à 90 degrés puis fixez-le au patte de montage utilisant les deux vis fourni, Figure 7. Assurez que le thermodisque touchez-le bas du foyer et que le harnais de fils est correctement fixé.
- N. Branchez le cordon d'alimentation de la soufflerie dans la boîte électrique, comme indiqué à la Figure 2.

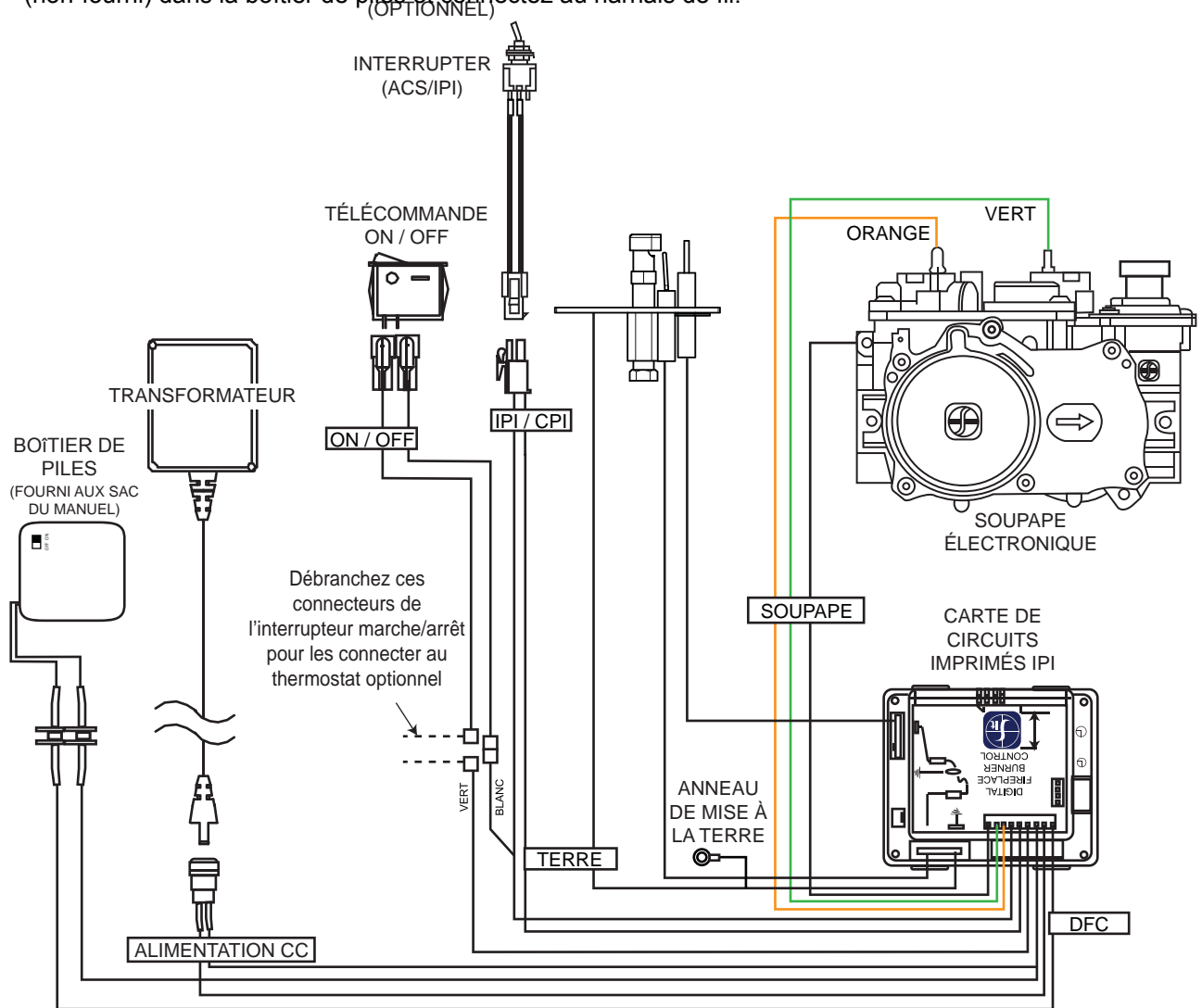
NOTE: La soufflerie est actionnée par la chaleur. Lorsqu'elle est mise sous tension, elle se met automatiquement en marche environ 15 minutes après l'allumage de l'appareil et fonctionnera environ 30 minutes après l'arrêt de l'appareil.

6.8 SCHÉMA DE CÂBLAGE

! AVERTISSEMENT

NE RACCORDEZ PAS L'INTERRUPTEUR MURAL OU LA SOUPAPE DE GAZ À L'ALIMENTATION ÉLECTRIQUE (110 VOLTS).

Cette appareil est fourni avec une sauvegarde de pile. Si la sauvegarde est utilisé, installez 4 piles "AA" (non-fourni) dans la boîte de piles et connectez au harnais de fil.



69.7

FR

7.0 FONCTIONNEMENT (ÉLECTRONIQUE)

! AVERTISSEMENT

SI CES INSTRUCTIONS NE SONT PAS SUIVIES À LA LETTRE, UN INCENDIE OU UNE EXPLOSION POURRAIENT S'ENSUIVRE, CAUSANT DES DOMMAGES MATÉRIELS, DES BLESSURES CORPORELLES OU DES PERTES DE VIE.

ALLUMEZ TOUJOURS LA VEILLEUSE, QUE CE SOIT POUR LA PREMIÈRE FOIS OU LORSQUE L'APPROVISIONNEMENT EN GAZ EST ÉPUISÉ, AVEC LA PORTE VITRÉE OUVERTE OU RETIRÉE.

Assurez-vous que l'arrivée de gaz au brûleur est continue avant d'installer la porte. Lorsqu'il est allumé pour la première fois, ce foyer dégagera une légère odeur pendant quelques heures. Cela est une condition normale temporaire causée par le conditionnement des bûches et l'évaporation des peintures et lubrifiants internes utilisés dans le processus de fabrication; elle ne se reproduira plus. Après de longues périodes sans utiliser le foyer, comme à la suite de vacances ou à la fin de l'été, il se peut qu'une légère odeur se dégage pendant quelques heures. Ceci est causé par des particules de poussière brûlant dans l'échangeur de chaleur. Dans les deux cas, ouvrez une fenêtre pour aérer la pièce.

POUR VOTRE SÉCURITÉ, LISEZ CE QUI SUIT AVANT D'ALLUMER

- A. Ne pas allumer si des enfants ou d'autres individus à risque sont à proximité du foyer.
- B. Cet appareil est muni d'une veilleuse qui doit être allumée manuellement tout en suivant ces instructions à la lettre.
- C. Avant d'allumer, sentez autour de l'appareil et près du plancher afin de vous assurer qu'il n'y a pas de fuite de gaz. Certains gaz sont plus lourds que l'air et se déposeront au niveau du plancher.
- D. N'utilisez que votre main pour tourner le bouton de contrôle du gaz. N'utilisez jamais d'outils. Si le bouton ne tourne pas manuellement, n'essayez pas de le réparer. Appelez un technicien qualifié. Forcer le bouton ou tenter de réparer le mécanisme pourrait causer un feu ou une explosion.
- E. N'utilisez pas ce foyer si une partie quelconque a été submergée. Contactez immédiatement un technicien qualifié pour l'inspecter et pour remplacer toute pièce du système de contrôle et du contrôle du gaz qui aurait été submergée.

QUE FAIRE SI VOUS DÉTECTEZ UNE ODEUR DE GAZ

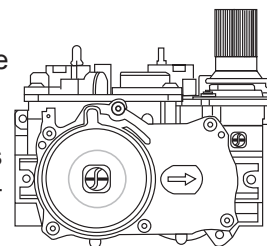
- Coupez l'alimentation en gaz au foyer.
- Ouvrez les fenêtres.
- N'allumez aucun appareil.
- Ne touchez à aucun interrupteur électrique; n'utilisez aucun téléphone dans votre immeuble.
- De la maison d'un voisin, appelez immédiatement votre fournisseur de gaz et suivez ses instructions.
- Si vous ne pouvez pas rejoindre votre fournisseur de gaz, appelez le service des incendies.



GAS KNOB

INSTRUCTIONS D'ALLUMAGE

1. Arrêtez! Lisez les consignes de sécurité ci-dessus.
2. Enlevez les piles de l'émetteur.
3. Coupez l'alimentation électrique à l'appareil.
4. Cet appareil est équipé d'un dispositif d'allumage qui allume automatiquement la veilleuse. N'essayez pas de l'allumer manuellement.
5. Enlevez la porte vitrée.
6. Tournez la soupape de sectionnement manuelle dans le sens horaire à « OFF ». Elle est située derrière le panneau d'accès.
7. Attendez cinq (5) minutes pour que le gaz puisse s'échapper. Si vous détectez une odeur de gaz, y compris au niveau du plancher, ARRÊTEZ! et suivez les instructions ci-dessus « Que faire si vous détectez une odeur de gaz ». Continuez à l'étape suivante si vous ne sentez pas de gaz.
8. Tournez la soupape de sectionnement manuelle dans le sens antihoraire à « ON ».
9. Remettez en place la porte vitrée.
10. Rétablissez l'alimentation électrique au foyer et remettez les piles dans la télécommande.
11. Appuyez sur le bouton « ON » de la télécommande. Vous devriez entendre un bip du récepteur pour confirmer la communication (consultez la section « Fonctionnement du foyer » pour l'activation de la télécommande).



INSTRUCTIONS POUR COUPER LE GAZ

1. Coupez l'alimentation électrique au foyer si un travail d'entretien doit se faire.
2. Enfoncez légèrement le bouton de contrôle du gaz et tournez vers la droite à « OFF ». Ne forcez pas.

47.3A

8.0 FONCTIONNEMENT (MILLIVOLT)

AVERTISSEMENT

SI CES INSTRUCTIONS NE SONT PAS SUIVIES À LA LETTRE, UN INCENDIE OU UNE EXPLOSION POURRAIENT S'ENSUIVRE, CAUSANT DES DOMMAGES MATÉRIELS, DES BLESSURES CORPORELLES OU DES PERTES DE VIE.

ALLUMEZ TOUJOURS LA VEILLEUSE, QUE CE SOIT POUR LA PREMIÈRE FOIS OU LORSQUE L'APPROVISIONNEMENT EN GAZ EST ÉPUISÉ, AVEC LA PORTE VITRÉE OUVERTE OU RETIRÉE.

Assurez-vous que l'arrivée de gaz au brûleur est continue avant de réinstaller la porte. Lorsqu'il est allumé pour la première fois, l'appareil dégagera une légère odeur pendant quelques heures. Cela est une condition normale temporaire causée par le conditionnement des bûches et l'évaporation des peintures et lubrifiants internes utilisés dans le processus de fabrication; elle ne se reproduira plus.

Après de longues périodes sans utiliser l'appareil, comme à la suite de vacances ou à la fin de l'été, il se peut qu'une légère odeur se dégage pendant quelques heures. Ceci est causé par des particules de poussière brûlant dans l'échangeur de chaleur. Dans les deux cas, ouvrez une fenêtre pour aérer la pièce.

POUR VOTRE SÉCURITÉ, LISEZ CE QUI SUIT AVANT D'ALLUMER L'APPAREIL :

- A. Cet appareil est muni d'une veilleuse qui doit être allumée manuellement tout en suivant ces instructions à la lettre.
- B. Avant d'allumer, sentez autour de l'appareil et près du plancher afin de vous assurer qu'il n'y a pas de fuite de gaz. Certains gaz sont plus lourds que l'air et se déposeront au niveau du plancher.
- C. N'utilisez que votre main pour tourner le bouton de contrôle du gaz. N'utilisez jamais d'outils. Si le bouton ne tourne pas manuellement, n'essayez pas de le réparer. Appelez un technicien qualifié. Forcer le bouton ou tenter de réparer le mécanisme pourrait causer un feu ou une explosion.
- D. N'utilisez pas cet appareil si une partie quelconque a été submergée. Contactez immédiatement un technicien qualifié pour l'inspecter et pour remplacer toute pièce du système de contrôle et du contrôle du gaz qui aurait été submergée.

QUE FAIRE SI VOUS DÉTECTEZ UNE ODEUR DE GAZ :




- Coupez l'alimentation en gaz à l'appareil.
- Ouvrez les fenêtres.
- N'allumez aucun appareil.
- Ne touchez à aucun interrupteur électrique; n'utilisez aucun téléphone dans votre immeuble.
- De la maison d'un voisin, appelez immédiatement votre fournisseur de gaz et suivez ses instructions.
- Si vous ne pouvez pas rejoindre votre fournisseur de gaz, appelez le service des incendies.




INSTRUCTIONS D'ALLUMAGE :

ATTENTION : La soupape de gaz a un dispositif d'enclenchement qui ne permet à la veilleuse de s'allumer que lorsque le thermocouple est refroidi. Attendez au moins 60 secondes pour permettre au thermocouple de se refroidir.

Durant l'allumage et le réallumage, le bouton de contrôle du gaz ne peut tourner de « PILOT » à « OFF » à moins de l'enfoncer légèrement.

1. Arrêtez! Lisez les consignes de sécurité ci-dessus.
2. Coupez l'alimentation électrique à l'appareil.
3. Tournez le bouton de contrôle du gaz vers la droite  à « OFF ».
4. Attendez 5 minutes pour que le gaz puisse s'échapper. Si vous détectez une odeur de gaz, incluant au niveau du plancher, Arrêtez! et suivez les instructions ci-dessus « Que faire si vous détectez une odeur de gaz ». Continuez à l'étape suivante si vous ne sentez pas de gaz.
5. Tournez le bouton de contrôle du gaz vers la gauche  à « PILOT ».
6. Enfoncez légèrement et maintenez le bouton de contrôle du gaz pendant que vous allumez la veilleuse en appuyant sur le bouton-poussoir d'ignition. Gardez le bouton de contrôle du gaz enfoncé pendant une minute, puis relâchez-le. Si la veilleuse ne reste pas allumée, répétez les étapes 3 à 5.
7. Lorsque la veilleuse est allumée, enfoncez et tournez le bouton de contrôle du gaz vers la gauche  à « ON ».
8. Si votre appareil est muni d'un interrupteur à distance/thermostat, le brûleur principal peut ne pas s'allumer lorsque vous tournez la soupape de gaz à « ON ». L'interrupteur à distance doit aussi être à « ON » pour que le brûleur principal s'allume.
9. Rétablissez l'alimentation électrique à l'appareil.

INSTRUCTIONS POUR COUPER LE GAZ

1. Coupez l'alimentation électrique à l'appareil si un travail d'entretien doit se faire.
2. Enfoncez légèrement le bouton de contrôle du gaz et tournez vers la droite  jusqu'à « OFF ». Ne forcez pas.

TOURNEZ LA SOUPAPE DE CONTRÔLE À « OFF » LORSQUE L'APPAREIL N'EST PAS UTILISÉ.

9.0 RÉGLAGES

9.1 RÉGLAGE DE LA VEILLEUSE

Ajustez la vis de la veilleuse pour obtenir une flamme de taille normale. Tournez vers la droite pour réduire l'apport de gaz.

VÉRIFIER LA PRESSION :

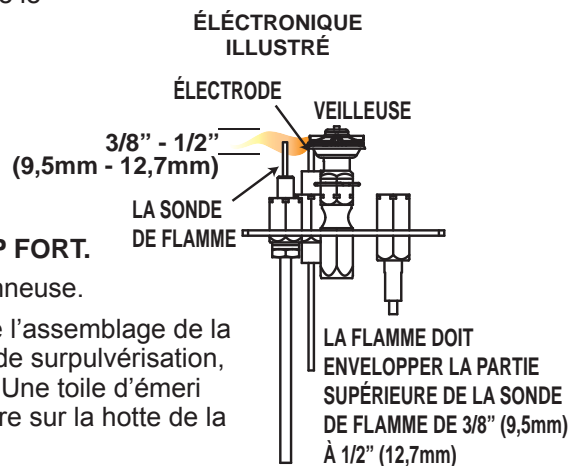
Pour vérifier la pression d'arrivée, tournez la vis (A) vers la gauche deux à trois tours, puis emboîtez le tube du manomètre sur la pointe d'essai. Le manomètre doit indiquer la pression comme décrit sur le diagramme ci-dessous. Assurez-vous que le brûleur principal fonctionne à « HI ».

La vérification de la pression de sortie s'effectue comme ci-dessus en utilisant la vis (B). Le manomètre doit indiquer la pression comme décrit sur le diagramme ci-dessous. Assurez-vous que le brûleur principal fonctionne à « HI ».

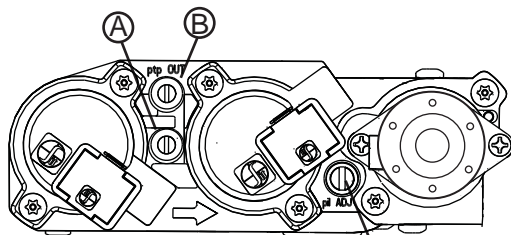
APRÈS AVOIR PRIS LA LECTURE DES PRESSIONS, ASSUREZ-VOUS DE TOURNER FERMEMENT LES VIS VERS LA DROITE POUR SCELLER. NE SEREZ PAS TROP FORT.

Vérifiez pour des fuites en appliquant une solution d'eau savonneuse.

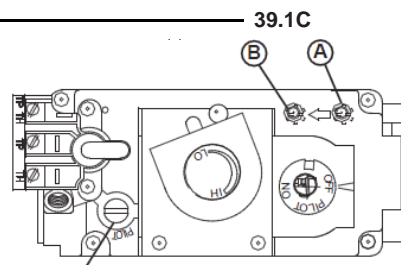
Avant d'effectuer le réglage de la veilleuse, assurez-vous que l'assemblage de la veilleuse n'a pas été peint. S'il y a des traces de peinture ou de surpulpvrisation, enlevez-les de l'assemblage de la veilleuse ou remplacez-le. Une toile d'émeri ou du papier sablé fins peut être utilisé pour enlever la peinture sur la hotte de la veilleuse, sur l'électrode et sur le capteur de flamme.



Pression	Gaz Naturel (pouces)	Gaz Naturel (millibars)	Propane (pouces)	Propane (millibars)
Arrivée	7" (min.4,5")	17,4 mb (min.11,2mb)	13" (min.11")	32,4 mb (min.27,4mb)
Sortie	3,5"	8,7 mb	10"	24,9 mb



ÉLECTRONIQUE



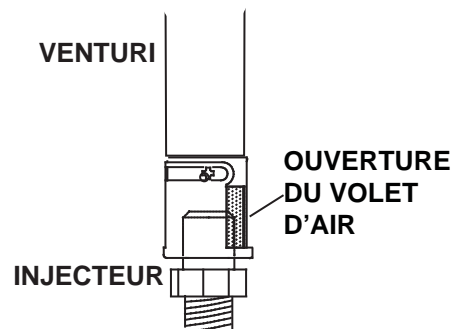
MILLIVOLT

9.2 RÉGLAGE DU VENTURI

L'ouverture du volet d'air a été préréglée en usine selon le tableau ci-dessous :

Indépendamment de l'orientation du venturi, plus le volet est fermé, plus la flamme est jaune et aura tendance à causer des dépôts de carbone. Plus le volet est ouvert, plus la flamme est bleue et plus elle a tendance à se détacher des orifices du brûleur. La flamme peut ne pas être jaune immédiatement; allouez de 15 à 30 minutes pour que la couleur finale de la flamme se stabilise.

LE RÉGLAGE DU VOLET D'AIR DOIT ÊTRE EXÉCUTÉ PAR UN TECHNICIEN OU INSTALLATEUR QUALIFIÉ!

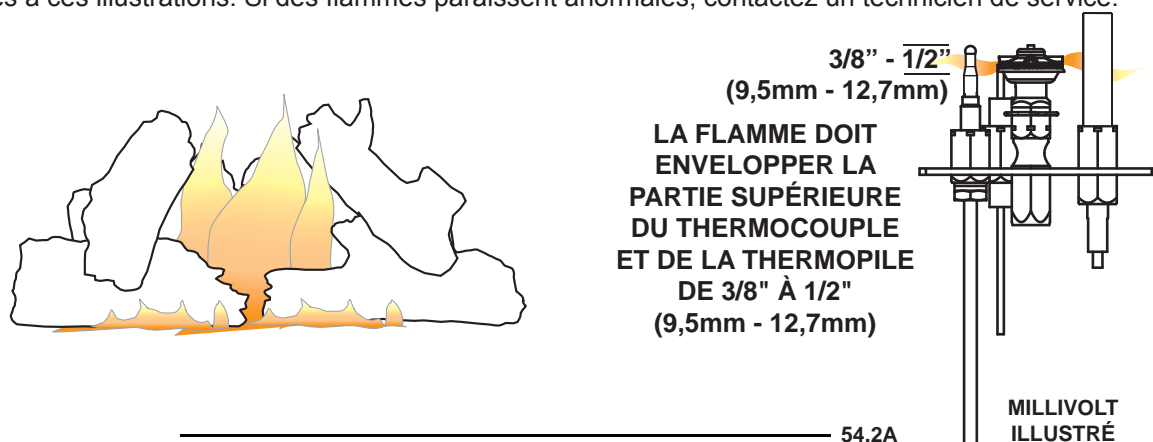


49.1

TABLEAU DE RÉGLAGE DU VENTURI		
B46		
COMBUSTIBLE	DESSUS	ARRIÈRE
NG	1/8" (3,2mm)	1/8" (3,2mm)
LP	3/16" (4,8mm)	3/8" (9,5mm)

9.3 CARACTÉRISTIQUES DE LA FLAMME

Il est important d'effectuer périodiquement une inspection visuelle de la flamme de la veilleuse et du brûleur. Comparez-les à ces illustrations. Si des flammes paraissent anormales, contactez un technicien de service.



FR

9.4 INTERRUPTEUR CONTRE LA CONDENSATION (MODÈLES B46NTRE ET B46PTRE SEULEMENT)

Cet appareil à la possibilité de passer d'un allumage électronique intermittent à une veilleuse permanente pour les climats froids. Le contrôle contre la condensation (veilleuse permanente) est situé dans le centre du panneau de contrôle. Avec votre doigt, appuyez sur l'interrupteur vers le haut pour la veilleuse permanente, ou vers le bas pour l'allumage intermittent.

Tourner l'interrupteur sur ACS permettra à la flamme de la veilleuse à bruler en continu. Ce mode permet de minimiser la condensation qui se forme sur la face intérieure de la vitre lorsque le brûleur principal est tout d'abord mis sous tension. Il aidera également la cheminée et le système de ventilation à stabiliser plus rapidement pendant les mois froids de l'hiver.

Au cours de l'hiver et les mois d'été les plus chauds, le commutateur ACS peut être éteint pour minimiser la consommation de carburant.

**AVERTISSEMENT**

COUPEZ L'ALIMENTATION EN GAZ ET L'ALIMENTATION ÉLECTRIQUE AVANT DE PROCÉDER À L'ENTRETIEN DE L'APPAREIL.

L'APPAREIL PEUT ÊTRE CHAUD. ATTENDEZ QU'IL SOIT REFROIDI AVANT D'EN FAIRE L'ENTRETIEN.

N'UTILISEZ PAS DE PRODUITS ABRASIFS.

NE PEINTURE PAS L'ASSEMBLAGE DU VEILLEUSE.

ATTENTION : Lors de l'entretien des contrôles, assurez-vous d'identifier chacun des fils avant de les débrancher. Une réinstallation incorrecte des fils peut occasionner un mauvais fonctionnement et être dangereuse. Assurez-vous que l'appareil fonctionne adéquatement une fois l'entretien terminé. Cet appareil et son système d'évacuation devraient être inspectés avant la première utilisation et au moins une fois l'an par un technicien de service qualifié. L'espace entourant l'appareil doit être gardé propre et libre de matériaux combustibles, d'essence ou autres liquides et vapeurs inflammables. Les apports d'air comburant et d'air de convection ne doivent pas être obstrués.

- A.** Pour nettoyer le brûleur principal et la veilleuse adéquatement, il faut retirer les bûches, les roches ou la vitre afin de dégager les deux ensembles.
- B.** Gardez le compartiment des contrôles, les composants décoratifs, le brûleur, le volet d'air et l'espace entourant les bûches propres en brossant ou en passant l'aspirateur au moins une fois l'an.
- C.** Assurez-vous que tous les orifices des brûleurs produisent des flammes. Nettoyez tous les orifices qui n'ont pas de flamme ou dont la flamme ne brûle pas adéquatement.
- D.** Assurez-vous que la flamme de la veilleuse est assez puissante pour envelopper la sonde de flamme et/ou le thermocouple/thermopile et qu'elle atteigne le brûleur.
- E.** Remettez en place les bûches, les roches ou la vitre nettoyées, si équipé. Omettre de positionner les composants décoratifs adéquatement peut causer des dépôts de carbone qui peuvent se déposer dans des endroits de séjour avoisinants.
- F.** Vérifiez si le brûleur principal allume sur tous les orifices lorsque le bouton de contrôle du gaz est à « ON ». Un temps d'allumage total de 5 à 10 secondes est satisfaisant. Si l'allumage prend plus de temps, consultez votre détaillant autorisé.
- G.** Vérifiez si les joints d'étanchéité sur les côtés, le haut et le bas de la porte ne sont pas brisés ou manquants. Remplacez si nécessaire.
- H.** Si pour une raison quelconque le système d'évents de prise d'air est démonté, réinstallez et rescellez-le selon les instructions fournies dans l'installation initiale.
- I.** Il est possible que l'écran de protection (pare-étincelles) nécessite un nettoyage occasionnel en raison des peluches/poussières provenant des tapis, des animaux, etc. il suffit de passer l'aspirateur à l'aide de l'embout avec une brosse.
- J.** Vérifiez si le système de décharge effectue efficacement. Vérifiez si les joints d'étanchéité ne sont pas brisés ou manquants. Remplacez si nécessaire.

40.1D

10.1 ENTRETIEN ANNUEL

 AVERTISSEMENT
LE CAISSON DEVIENT TRÈS CHAUD LORS DU FONCTIONNEMENT. LAISSEZ L'APPAREIL SE REFROIDIR COMPLÈTEMENT OU PORTEZ DES GANTS ANTICHALEUR AVANT D'EFFECTUER L'ENTRETIEN.
NE JAMAIS ASPIRER DES BRAISES QUI SONT CHAUDES.
NE PEINTUREZ PAS L'ASSEMBLAGE DE LA VEILLEUSE.

FR

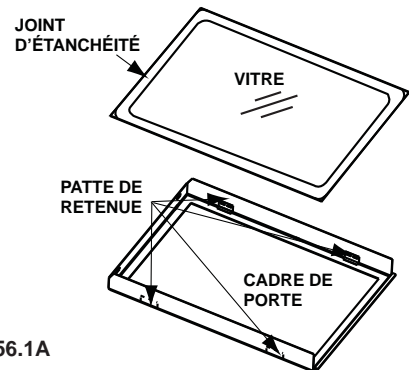
- Cet appareil nécessite un entretien qui devra être effectué sur une base annuelle.
- L'entretien devrait inclure un nettoyage, le remplacement des piles, une inspection du système d'évent, du brûleur, des éléments décoratifs internes et de la chambre de combustion. Consultez la section pour l'enlèvement de la porte et retirez la porte comme indiqué.
- Enlevez soigneusement les éléments décoratifs internes s'il y a lieu (bûches, braises de verre, panneaux de brique, etc.)
- À l'aide d'un aspirateur muni d'une brosse souple, aspirez les saletés, les débris et les dépôts de carbone sur les bûches, la chambre de combustion et le brûleur. Pour les braises de verre, suivez les instructions de prénettoyage.
- Enlevez aussi tout dépôt se trouvant sur l'assemblage de la veilleuse et aussi, s'il y a lieu, sur la thermopile, le thermocouple, le capteur de flamme et l'allumeur. **NOTE: Vous devrez possiblement nettoyer le capteur de flamme à l'aide d'un morceau de laine d'acier ou Scotch-Brite™ afin de retirer toute trace d'oxydation. Nettoyez l'assemblage du pilote à l'aide d'un aspirateur muni d'une brosse souple. Il est important de ne pas peindre l'assemblage de la veilleuse.**
- Inspectez tous les joints d'étanchéité accessibles et remplacez-les au besoin.
- Accédez à la soufflerie, s'il y a lieu, puis nettoyez à l'aide d'une brosse souple et d'un aspirateur.
- Réinstallez tous les composants dans l'ordre inverse.
- Inspectez le système de surpression. L'appareil dissipe la pression par la porte vitrée ou par les clapets sur le dessus du caisson. Assurez-vous qu'ils ouvrent sans restriction et qu'ils ferment de façon étanche.
- Vérifiez si la soupape de gaz de la veilleuse et les boutons Hi / Lo bougent librement (s'il y a lieu) - remplacez si vous constatez de la rigidité dans le mouvement.
- Vérifiez tous les branchements du gaz pour des fuites de gaz, en amont et en aval de la soupape de gaz incluant les connexions du tube de la veilleuse.

37.1C

10.2 REMPLACEMENT DE LA VITRE DE PORTE

! AVERTISSEMENT**N'UTILISEZ PAS DE MATÉRIAUX DE SUBSTITUTION.****LA VITRE PEUT ÊTRE CHAUDE, NE TOUCHEZ PAS LA VITRE JUSQU'À CE QU'ELLE AIT REFROIDI.****USEZ DE PRUDENCE LORSQUE VOUS ENLEVEZ ET JETEZ DES DÉBRIS DE VERRE OU DES COMPOSANTS ENDOMMAGÉS. ASSUREZ-VOUS D'ASPIRER TOUS LES DÉBRIS DE VERRE À L'INTÉRIEUR DE L'APPAREIL AVANT DE LE FAIRE FONCTIONNER.****NE FRAPPEZ PAS, NE CLAQUEZ PAS ET N'ÉGRATIGNEZ PAS LA PORTE VITRÉE. NE FAITES PAS FONCTIONNER L'APPAREIL LORSQUE LA PORTE VITRÉE EST ENLEVÉE, FISSURÉE, BRISÉE OU ÉGRATIGNÉE.**

- A. Placez le cadre de la porte avec la devanture vers le bas en prenant soin de ne pas égratigner la peinture.
- B. Centrez la vitre avec joint d'étanchéité dans le cadre avec le côté épais du joint d'étanchéité orienté vers le haut.
- C. Pliez les pattes de retenue situées sur le cadre par-dessus le joint d'étanchéité pour retenir la vitre en place. Faites attention à ne pas casser la vitre.



56.1A

10.3 SOINS DE LA VITRE

NE PAS NETTOYER LA VITRE LORSQU'ELLE EST CHAUDE! N'EMPLOYEZ PAS DE DÉTERGENTS ABRASIFS POUR NETTOYER LA VITRE.

Polissez légèrement à l'aide d'un linge propre et sec. Nettoyez les deux côtés de la vitre avec un nettoyeur recommandé après les dix premières heures de fonctionnement. Par la suite, nettoyez aussi souvent qu'il le faudra, sinon la vitre risque de rester marquée en permanence.



5.1

L'appareil est muni d'une 4mm vitre en verre trempé. Remplacez uniquement avec une vitre certifiée pour le foyer disponible chez votre détaillant Napoléon. N'UTILISEZ PAS DE MATÉRIAUX SUBSTITUTS.

5.5

11.0 RECHANGES

AVERTISSEMENT

OMETTRE DE POSITIONNER LES PIÈCES CONFORMÉMENT À CE MANUEL OU D'UTILISER UNIQUEMENT DES PIÈCES SPÉCIFIQUEMENT APPROUVÉES POUR CET APPAREIL PEUT CAUSER DES DOMMAGES MATÉRIELS OU DES BLESSURES CORPORELLES.

**** CECI EST UN THERMOCOUPLE À ACTION RAPIDE QUI CONSTITUE UN COMPOSANT ESSENTIEL DE SÉCURITÉ. REMPLACEZ UNIQUEMENT PAR UN THERMOCOUPLE À ACTION RAPIDE DE WOLF STEEL LTÉE.**

Contactez votre détaillant pour les questions concernant les prix et la disponibilité des pièces de rechange. Normalement, toutes les pièces peuvent être commandées chez votre détaillant autorisé.

POUR UN REMPLACEMENT DE PIÈCE SOUS GARANTIE, UNE PHOTOCOPIE DE LA FACTURE ORIGINALE SERA REQUISE AFIN DE POUVOIR HONORER LA DEMANDE.

Lorsque vous commandez des pièces, donnez toujours l'information suivante :

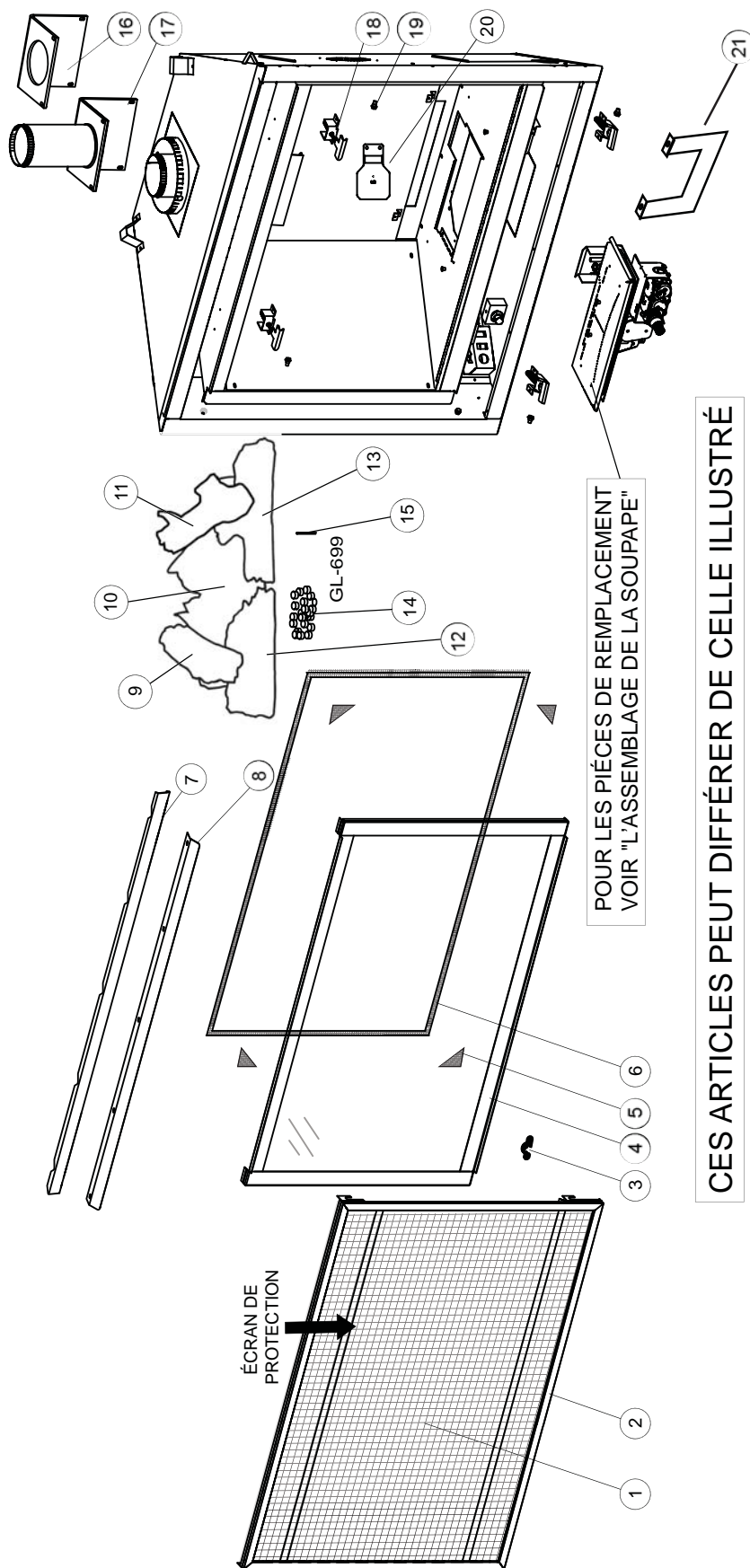
- Modèle et numéro de série de l'appareil
- Date d'installation de l'appareil
- Numéro de la pièce
- Description de la pièce
- Fini

*** IDENTIFIEZ LES ARTICLES QUI NE SONT PAS ILLUSTRÉS. POUR PLUS D'INFORMATION, CONTACTEZ VOTRE DÉTAILLANT AUTORISÉ.**

41.2

FR

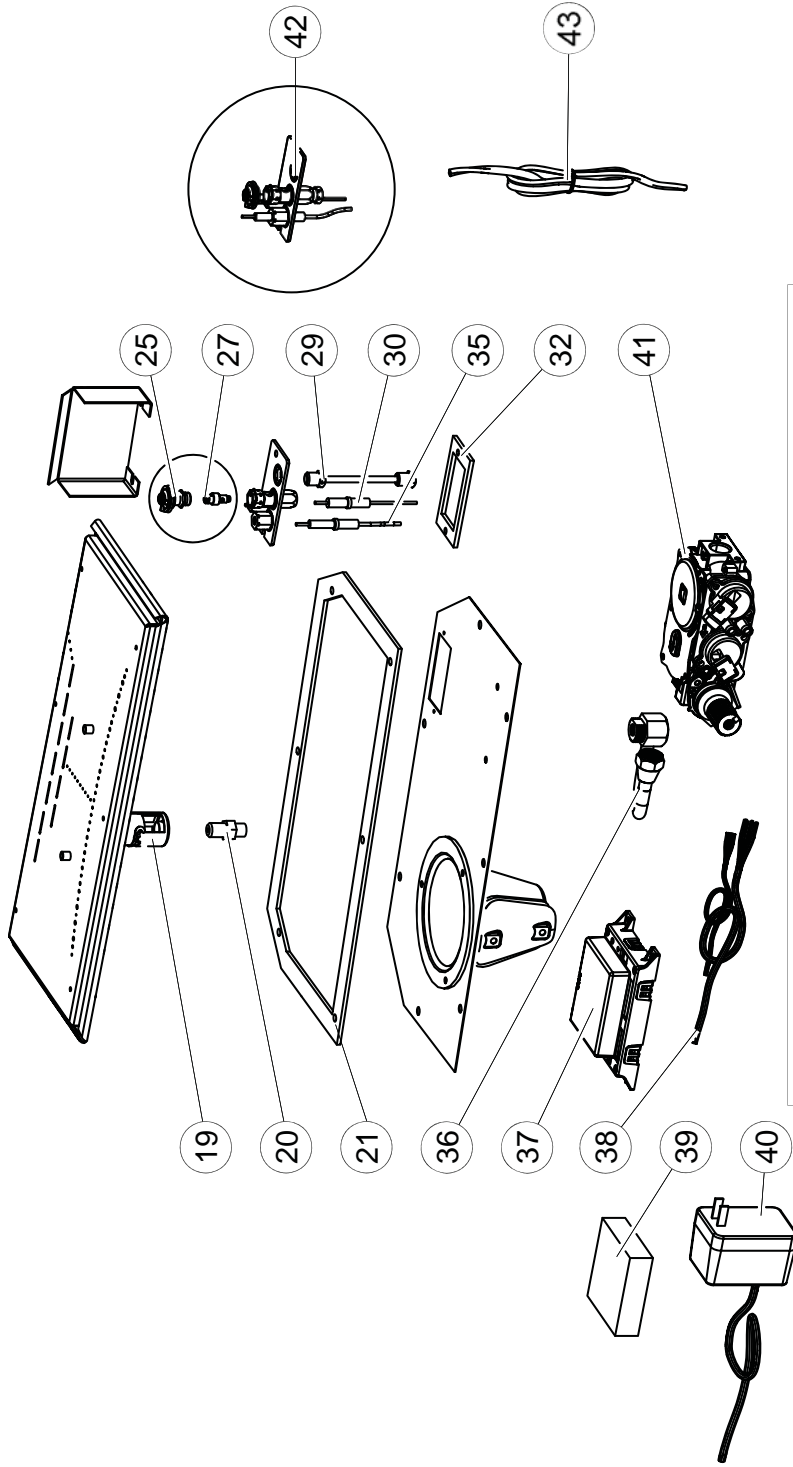
12.0 VUE D'ENSEMBLE



CES ARTICLES PEUT DIFFÉRER DE CELLE ILLUSTRÉ

RÉF.	NO. DE PIÈCE	DESCRIPTION	EN STOCK	RÉF.	NO. DE PIÈCE	DESCRIPTION	EN STOCK
1	W565-0228	ÉCRAN DE PROTECTION	OUI	11	W135-0589	BÛCHE CROISÉ DROITE (GL-699)	OUI
2	W010-3795	L'ASSEMBLAGE DE L'ÉCRAN DE PROTECTION		12	W135-0591	BÛCHE DE CÔTÉ GAUCHE (GL-699)	OUI
3	W385-0334	LOGO NAPOLEON	OUI	13	W135-0592	BÛCHE DE CÔTÉ DROITE (GL-699)	OUI
4	W010-3796	L'ASSEMBLAGE DE LA PORTE		14	W361-0016	BRAISES LUISANTES (GL-699)	OUI
5	W667-0018	JOINT D'ÉTANCHÉITÉ RUBAN (X4)	OUI	15	W485-0042	GOUPILLE DES BÛCHES (GL-699)	OUI
6	W562-0009	JOINT D'ÉTANCHÉITÉ DE PORTE	OUI	16	W290-0259	L'ASSEMBLAGE DE TUYAU DU JOINT D'ÉTANCHÉITÉ	
7	W335-0070	HOTTE		17	W010-3279	L'ASSEMBLAGE DE CONDUIT D'ÉVACUATION 4"	
8	W715-1082	GARNITURE DE FINITION SUPÉRIEURE		18	W010-3070	LOQUET DE PORTE (X6)	
9	W135-0546	BÛCHE CROISÉ GAUCHE (GL-699)	OUI	19	W570-0135	VIS À ÉPAULEMENT (X4)	OUI
10	W135-0620	BÛCHE DE L'ARRIÈRE (GL-699)	OUI	20	W500-0673	PLAQUE DE RESTRICTION	
				21	W018-0181	DÉFLECTEUR ARRIÈRE	

13.0 L'ASSEMBLAGE DE LA SOUPEPE DE ÉLECTRONIQUE

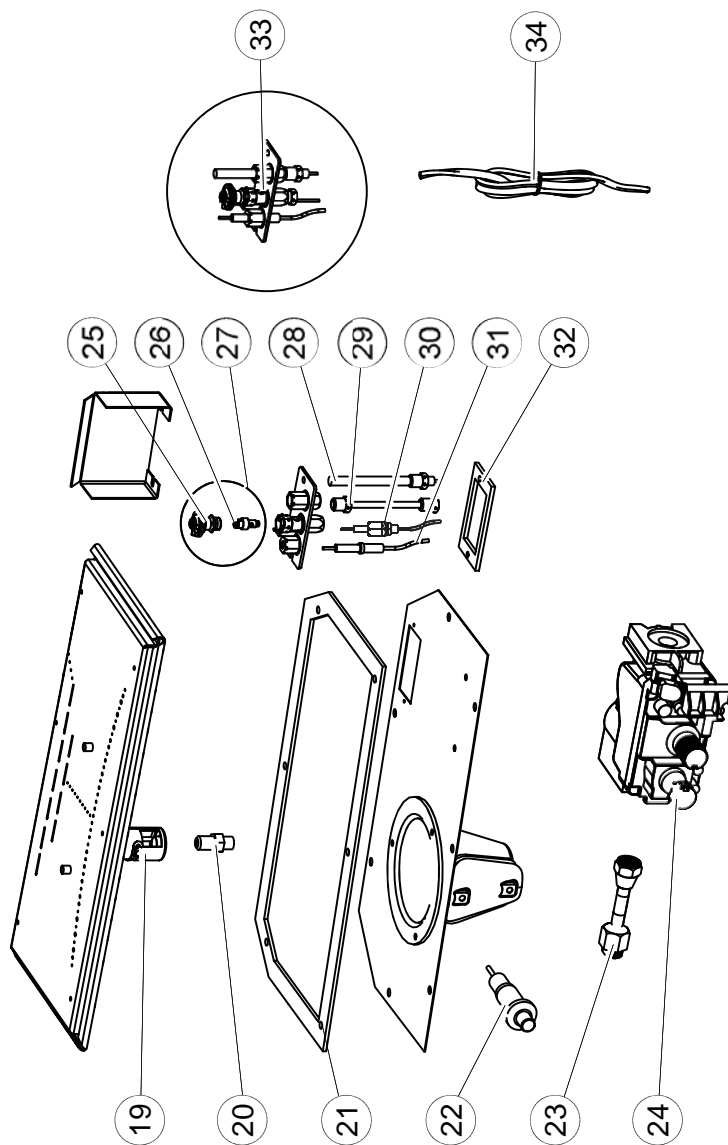


CES ARTICLES PEUT DIFFÉRER DE CELLE ILLUSTRÉ

RÉF.	NO. DE PIÈCE	DESCRIPTION	EN STOCK
19	W100-0205	ASSEMBLAGE DE BRÛLEUR	OUI
20	W456-0043	INJECTEUR DE VEILLEUSE #43 (GN)	OUI
20	W456-0054	INJECTEUR DE VEILLEUSE #54 (PL)	OUI
21	W290-0248	JOINT D'ÉTANCHÉITÉ DE SOUPEPE	OUI
25	W335-0039	HOTTE DU VEILLEUSE	OUI
27	W455-0070	INJECTEUR DE VEILLEUSE #62 (GN)	OUI
27	W455-0068	INJECTEUR DE VEILLEUSE #35 (PL)	OUI
29	W720-0062	TUBE DE VEILLEUSE, RACCORD	OUI
30	W240-0013	ALLUMEUR (AVEC FILS)	OUI
32	W290-0029	JOINT D'ÉTANCHÉITÉ DU VEILLEUSE	OUI
35	W245-0025	THERMOSENSOR	OUI

RÉF.	NO. DE PIÈCE	DESCRIPTION	EN STOCK
36	W432-0078	CONNECTEUR FLEXIBLE	OUI
37	W190-0072	MODULE DE CONTRÔLE	OUI
38	W010-1986	HARNAIS DE FILS	OUI
39	W350-0702	SAUVEGARDE DE PILE	OUI
40	W707-0010	TRANSFORMATEUR	OUI
41	W725-0062	SOUPEPE PROFLAMME 886 (NG)	OUI
41	W725-0063	SOUPEPE PROFLAMME 886 (LP)	OUI
42	W010-2763	ENSEMBLE DE VEILLEUSE (GN)	OUI
42	W010-2808	ENSEMBLE DE VEILLEUSE (PL)	OUI
43	W750-0270	INTERRUPTEUR DU FILS	OUI

14.0 L'ASSEMBLAGE DE LA SOUPE DE MILLIVOLT

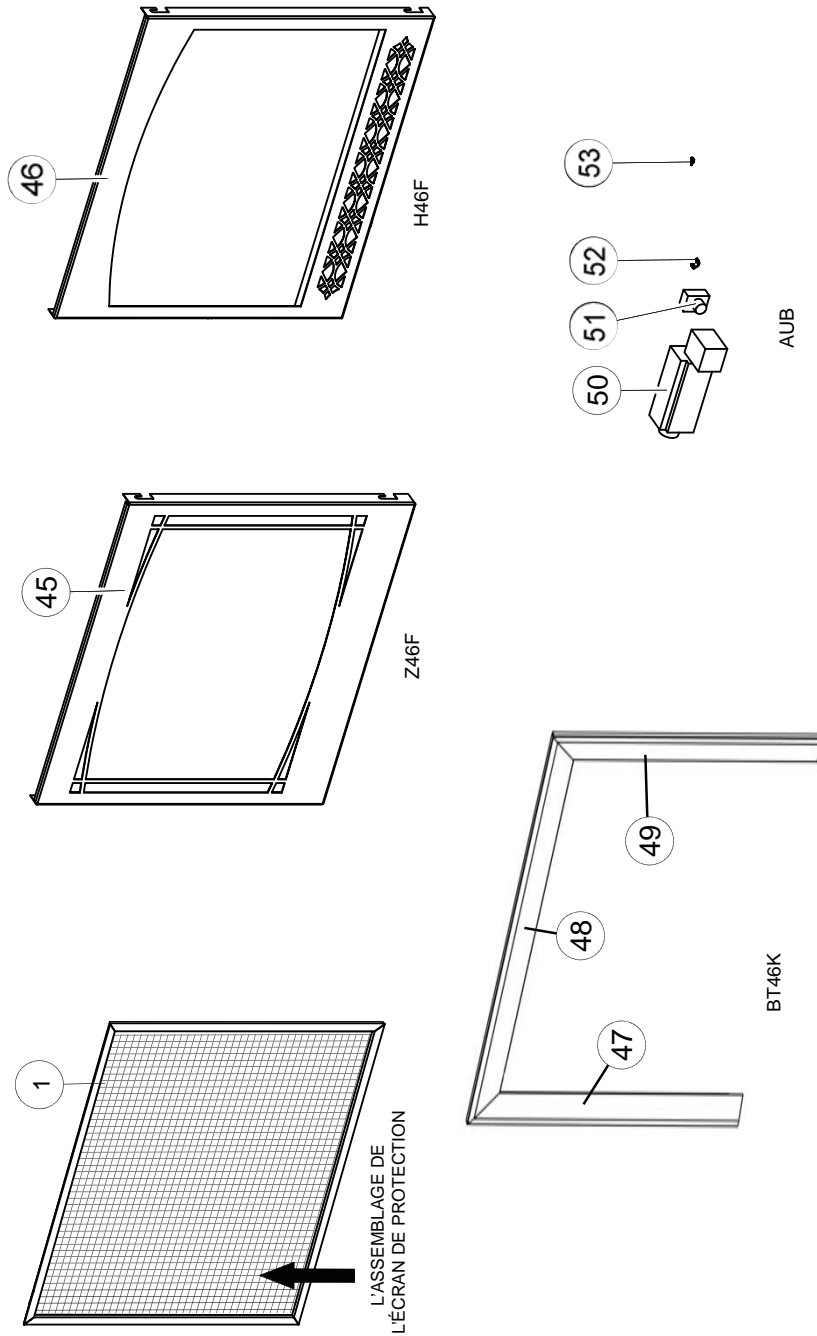


CES ARTICLES PEUT DIFFÉRER DE CELLE ILLUSTRÉ

RÉF.	NO. DE PIÈCE	DESCRIPTION	EN STOCK
19	W100-0205	ASSEMBLAGE DE BRÛLEUR	OUI
20	W456-0043	INJECTEUR DE VEILLEUSE #43 (GN)	OUI
20	W456-0054	INJECTEUR DE VEILLEUSE #54 (PL)	OUI
21	W290-0248	JOINT D'ÉTANCHÉITÉ DE SOUPE	OUI
22	W357-0001	BOUTON D'ALLUMAGE	OUI
23	W432-0078	FLEXIBLE DU COLLECTEUR	OUI
24	W725-0025	SOUPE (GN)	OUI
24	W725-0043	SOUPE (PL)	OUI
25	W335-0039	HOTTE DU VEILLEUSE	OUI
26	W455-0070	INJECTEUR DE VEILLEUSE #62 (GN)	OUI
26	W455-0068	INJECTEUR DE VEILLEUSE #35 (PL)	OUI

RÉF.	NO. DE PIÈCE	DESCRIPTION	EN STOCK
27	W010-0801	VEILLEUSE (GN)	OUI
27	W010-0800	VEILLEUSE (PL)	OUI
28	W680-0004	THERMOPILE	OUI
29	W720-0062	TUBE DE VEILLEUSE, RACCORD	OUI
30	W240-0006	ALLUMEUR (AVEC FILS)	OUI
31	W680-0005	THERMOCOUPLE	OUI
32	W290-0029	JOINT D'ÉTANCHÉITÉ DU VEILLEUSE	
33	W010-0798	ENSEMBLE DE VEILLEUSE (GN)	
33	W010-0799	ENSEMBLE DE VEILLEUSE (PL)	
34	W750-0112	INTERRUPTEUR DU FILS	

15.0 ACCESSOIRES



CES ARTICLES PEUT DIFFÉRER DE CELLE ILLUSTRÉ

RÉF.	NO. DE PIÈCE	DESCRIPTION	EN STOCK
1	W565-0228	ÉCRAN DE PROTECTION	OUI
45	W010-3799	ZEN FAÇADE DÉCORATIVE (Z46F)	
46	W010-3798	HÉRITAGE FAÇADE DÉCORATIVE (Z46F)	
47	W715-1069	GARNITURE CAMBRÉE DE GAUCHE (BT46K)	
48	W715-1087	GARNITURE CAMBRÉE SUPÉRIEURE / INFÉRIEURE (X2) (BT46K)	
RÉF.	NO. DE PIÈCE	DESCRIPTION	EN STOCK
49	W715-1070	GARNITURE CAMBRÉE DE DROITE (BT46K)	
50	W062-0051	SOUFFLERIE (AUB)	OUI
51	KB-35	INTERRUPTEUR À VITESSE VARIABLE	OUI
52	W690-0002	THERMODISQUE (AUB)	OUI
53	ACS	INTERRUPTEUR ACS (ACS)	OUI

16.0 GUIDE DE DÉPANNAGE (ÉLECTRONIQUE)

! AVERTISSEMENT

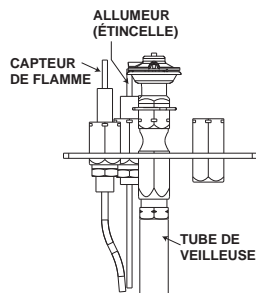
ALLUMEZ TOUJOURS LA VEILLEUSE, QUE CE SOIT POUR LA PREMIÈRE FOIS OU LORSQU' L'APPROVISIONNEMENT EN GAZ EST ÉPUISÉ, AVEC LA PORTE VITRÉE OUVERTE OU RETIRÉE.

COUPEZ L'ALIMENTATION EN GAZ ET L'ALIMENTATION ÉLECTRIQUE AVANT DE PROCÉDER À L'ENTRETIEN DE L'APPAREIL.

L'APPAREIL PEUT ÊTRE CHAUD. N'EFFECTUEZ AUCUN ENTRETIEN JUSQU'À CE QUE L'APPAREIL SOIT REFROIDI.

N'UTILISEZ PAS DE NETTOYANTS ABRASIFS.

SYMPTÔME	PROBLÈME	SOLUTIONS
La veilleuse ne s'allume pas.	Filage.	- Vérifiez si le fil « S » pour la sonde et le fil « I » pour l'allumeur sont raccordés aux bonnes bornes (non inversés) sur le module d'allumage et l'assemblage de la veilleuse.
Il y a du bruit, mais aucune étincelle au brûleur de la veilleuse.	Connexion desserrée.	- Vérifiez qu'il n'y ait pas de connexions desserrées, de courts-circuits dans le filage ou des contacts avec des objets métalliques.
	Module d'allumage.	- Mettez l'interrupteur MARCHE/ARRÊT à « OFF ». Retirez le fil d'allumage « I » du module. Mettez l'interrupteur MARCHE/ARRÊT à « ON ». Tenez un fil mis à la terre à environ 3/16" (4.8mm) de la borne « I » sur le module. S'il n'y a pas d'étincelle, la borne « I » du module doit être remplacée. S'il y a une étincelle, la borne « I » fonctionne bien. Inspectez l'assemblage de la veilleuse pour un fil causant un court-circuit ou un isolateur craqué autour de l'électrode.
	La longueur de l'étincelle est incorrecte.	- La longueur de l'étincelle de l'allumeur à la veilleuse devrait être de 0,17" ou 1/8" (3.2mm).
	Transformateur.	- Vérifiez si le transformateur est installé et branché dans le module. Vérifiez le voltage du transformateur sous tension aux connexions sur le module avec l'interrupteur MARCHE/ARRÊT à « ON ». Les lectures acceptables d'un bon transformateur se situent entre 3,2 et 2,8 volts C.A.
	Système de dépannage à piles (s'il y a panne de courant)	- Vérifiez les piles
	Une connexion desserrée ou causant un court-circuit.	- Retirez et réinstallez le harnais de fils qui se branche dans le module. Retirez et vérifiez la continuité de chaque fil dans le harnais de fils.
	Filage d'interrupteur inapproprié.	- Réparez le système avec un simple interrupteur MARCHE/ARRÊT.
	Le module n'est pas mis à la terre.	- Vérifiez si les assemblages de la veilleuse et de la soupape sont bien mis à la terre au niveau du châssis métallique de l'appareil ou de l'ensemble de bûches.
Étincelle à la veilleuse, mais celle-ci ne s'allume pas.	Alimentation en gaz.	- Vérifiez si la soupape à bille de la conduite d'arrivée du gaz est « Ouverte ». Vérifiez si la pression d'arrivée est dans les limites acceptables. La pression d'arrivée ne doit pas excéder 14" de colonne d'eau (34.9mb).
	Plus de propane.	- Remplissez le réservoir.



SYMPTÔME	PROBLÈME	SOLUTIONS
Du carbone se dépose sur la vitre, les bûches, les roches, les composants décoratifs ou les parois de la chambre de combustion.	Le volet d'air est bloqué.	- Assurez-vous que l'ouverture du volet d'air n'est pas bloquée par des fibres ou autres obstructions.
	Les flammes effleurent la vitre, les bûches, les roches, les composants décoratifs ou la chambre de combustion.	- Vérifiez si la vitre, les bûches, les roches ou les composants décoratifs sont positionnés correctement. - Une trop grande quantité de verre autour du brûleur peut engendrer des dépôts de carbone - Augmentez l'ouverture du volet d'air pour augmenter le volume d'air primaire. - Vérifiez le débit d'alimentation : vérifiez que la pression du collecteur et la grandeur de l'injecteur sont telles que spécifiées sur la plaque d'homologation. - Vérifiez si les joints de la porte ne sont pas brisés ou manquants et qu'ils sont étanches. - Vérifiez que les deux conduits d'évent ne sont pas troués et qu'ils sont bien scellés à tous les joints. - Vérifiez si l'élévation minimale par pied est conforme pour toute évacuation horizontale.
Continue de produire des étincelles et la veilleuse s'allume, mais le brûleur principal ne s'allume pas.	Court-circuit ou connexion desserrée dans la tige de la sonde.	- Vérifiez toutes les connexions. Vérifiez si les connexions de l'assemblage de la veilleuse sont serrées; vérifiez aussi si ces connexions ne causent pas de mise à la terre au niveau du métal.
	Mauvais redressement du courant de la flamme ou tige de sonde contaminée.	- Vérifiez si la flamme enveloppe la tige de la sonde. Ceci augmentera le redressement du courant de la flamme. Vérifiez si le bon injecteur de veilleuse est installé et que l'alimentation en gaz est conforme aux spécifications du manuel. (Souvenez-vous que la flamme transporte le courant redresseur et non le gaz. Si la flamme se détache de la hotte, le circuit est rompu. Un mauvais injecteur ou une pression d'arrivée trop élevée peut causer la flamme de la veilleuse à se détacher.) La tige de la sonde a possiblement besoin d'être nettoyée.
	Mauvaise mise à la terre entre l'assemblage de la veilleuse et la soupape de gaz.	- Vérifiez si le harnais de fils est solidement branché au module. Vérifiez si l'isolateur de céramique autour de la sonde est craqué, endommagé ou desserré. Vérifiez la connexion de la tige de la sonde au fil de la sonde.
	Veilleuse endommagée ou tige de sonde salie.	- Nettoyez la tige de la sonde avec une toile d'émeri afin d'enlever toute contamination qui ait pu s'accumuler sur la tige de la sonde. Vérifiez la continuité avec un multimètre réglé sur Ohms au calibre le plus bas.
La veilleuse s'allume. Arrête de produire des étincelles/la veilleuse reste allumée, mais le brûleur ne s'allume pas.	Filage/connexion.	- Inspectez tous les fils, assurez-vous que les connexions sont bien serrées. Vérifiez si tout le filage est installé exactement tel que spécifié.
	Harnais de fils.	- Inspectez le harnais de fils et vérifiez qu'il soit solidement branché au module. Vérifiez que tous les fils sont branchés dans le bon ordre. Voir la section « SCHÉMA DE CÂBLAGE ».
On détecte l'odeur des gaz de combustion dans la	L'appareil refoule les gaz de combustion dans la pièce.	- Vérifiez tous les joints scellés. - Vérifiez si l'odeur de gaz n'entre pas par une porte ou une fenêtre ouverte.

SYMPTÔME	PROBLÈME	SOLUTIONS
Une pellicule blanche ou grise se forme.	Le soufre du combustible se dépose sur la vitre, les bûches ou les parois de la chambre de combustion.	<ul style="list-style-type: none"> - Nettoyez la vitre avec un nettoyeur recommandé. NE PAS NETTOYER LORSQU'ELLE EST CHAUDE. - Si vous ne nettoyez pas les dépôts régulièrement, la vitre risque de rester marquée en permanence.
Les flammes sont très actives.	<p>La porte est entrouverte.</p> <p>Forte action de ventilation.</p>	<ul style="list-style-type: none"> - Serrez les loquets de porte s'il y a lieu. - Étranglez la sortie de l'évacuation avec la plaque de restriction. Voir la section « ÉTRANGLEMENT DES ÉVÉNEMENTS VERTICAUX » s'il y a lieu.
La flamme du brûleur principal est bleue, paresseuse et transparente.	<p>Système d'évacuation bloqué.</p> <hr/> <p>Installation incorrecte.</p>	<ul style="list-style-type: none"> - Enlevez ce qui obstrue. Dans des conditions de froid extrême, une accumulation de glace peut se former sur la terminaison et devrait être enlevée lorsque nécessaire. Pour minimiser les chances que cela survienne de nouveau, il est recommandé que les événements qui passent à travers des espaces non chauffés (greniers, garages, espaces réduits) soient recouverts d'un manchon isolant en mylar. Assurez-vous que le manchon ne puisse pas s'affaisser. Pour plus de renseignements, contactez votre détaillant local autorisé. - Vérifiez les paramètres du système d'évacuation (étanchéité, longueur, élévation, etc.).
Le brûleur principal s'éteint; la veilleuse s'éteint.	L'évacuation recircule.	<ul style="list-style-type: none"> - Vérifiez l'étanchéité des joints et leur installation.

17.0 GUIDE DE DÉPANNAGE (MILLIVOLT)

**AVERTISSEMENT**

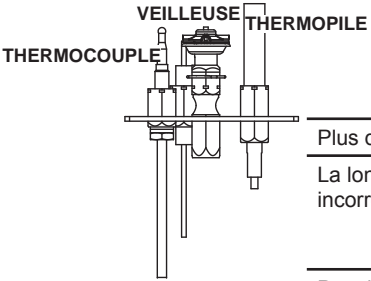
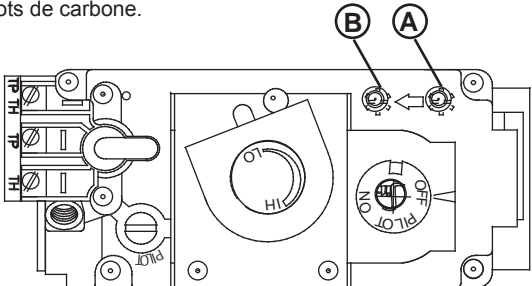
ALLUMEZ TOUJOURS LA VEILLEUSE, QUE CE SOIT POUR LA PREMIÈRE FOIS OU LORSQUE L'APPROVISIONNEMENT EN GAZ EST ÉPUISÉ, AVEC LA PORTE VITRÉE OUVERTE OU RETIRÉE.

COUPEZ L'ALIMENTATION EN GAZ ET L'ALIMENTATION ÉLECTRIQUE AVANT DE PROCÉDER À L'ENTRETIEN DE L'APPAREIL.

L'APPAREIL PEUT ÊTRE CHAUD. N'EFFECTUEZ AUCUN ENTRETIEN JUSQU'À CE QUE L'APPAREIL SOIT REFROIDI.

N'UTILISEZ PAS DE NETTOYANTS ABRASIFS.

SYMPTÔME	PROBLÈME	SOLUTIONS
Le brûleur principal s'éteint; la veilleuse reste allumée.	La flamme de la veilleuse n'est pas assez puissante ou n'enveloppe pas la thermopile.	- Augmentez la flamme de la veilleuse. - Remplacez l'assemblage de la veilleuse.
	La thermopile cause un court-circuit.	- Nettoyez la connexion de la thermopile à la borne de la soupape et reconnectez. - Remplacez la thermopile ou la soupape.
	Le fil de l'interrupteur mural est trop long; trop de résistance dans le système.	- Raccourcissez la longueur du fil ou changez le calibre du fil.
	Le thermostat ou l'interrupteur est défectueux.	- Remplacez.
Le brûleur principal s'éteint; la veilleuse s'éteint.	Référez-vous à « LE BRÛLEUR PRINCIPAL S'ÉTEINT; LA VEILLEUSE RESTE ALLUMÉE ».	
	L'évacuation est bloquée.	- Enlevez ce qui obstrue.
	L'évacuation recircule.	- Vérifiez l'étanchéité des joints et leur installation.
La veilleuse s'éteint quand le bouton du gaz est relâché. La soupape de gaz a un dispositif d'enclenchement qui ne permet à la veilleuse de s'allumer que lorsque le thermocouple est refroidi. Attendez au moins 60 secondes pour permettre au thermocouple de se refroidir.	La gaine flexible n'est plus branchée à l'appareil.	- Rebranchez à l'appareil. - Le couvercle d'évacuation n'a pas été remis en place.
	Le système n'est pas purgé correctement.	- Purgez la conduite de gaz.
	Plus de propane.	- Remplissez le réservoir.
	La flamme de la veilleuse n'est pas assez puissante.	- Augmentez la flamme de la veilleuse.
	La flamme de la veilleuse n'enveloppe pas le thermocouple.	- Tournez légèrement la tête de la veilleuse pour améliorer la flamme autour du thermocouple.
	Le thermocouple cause un court-circuit/est défectueux.	- Desserrez et resserrez le thermocouple. - Nettoyez le thermocouple et la connexion à la borne de la soupape. - Remplacez le thermocouple. - Remplacez la soupape.
La veilleuse brûle; pas de gaz au brûleur principal; le bouton du gaz est à « HI »; l'interrupteur mural/ thermostat est à « ON ».	La soupape est défectueuse.	- Remplacez la soupape.
	Le thermostat ou l'interrupteur sont défectueux.	- Reliez un fil de dérivation entre les bornes de l'interrupteur mural; si le brûleur principal s'allume, remplacez l'interrupteur/thermostat.
	Le raccordement de l'interrupteur est défectueux.	- Débranchez les fils de l'interrupteur et reliez un fil de dérivation entre les bornes 1 et 3; si le brûleur principal s'allume, vérifiez si les fils ne sont pas défectueux ou remplacez les fils.
	L'injecteur du brûleur principal est bloqué.	- Débloquez l'injecteur.
La veilleuse s'éteint alors qu'elle est en attente; le brûleur principal est à « OFF ».	La soupape est défectueuse.	- Remplacez la soupape.
	La conduite de gaz est trop petite.	- Allumez tous les appareils au gaz et vérifiez si la flamme de la veilleuse vacille, diminue ou s'éteint, surtout quand le brûleur principal s'allume. Vérifiez la pression d'alimentation. - Vérifiez si la grosseur de la conduite d'alimentation est conforme aux codes. Remplacez toutes les conduites trop petites.
La flamme du brûleur principal est bleue, paresseuse et transparente.	Système d'évacuation bloqué.	- Enlevez ce qui obstrue. Dans des conditions de froid extrême, une accumulation de glace peut se former sur la terminaison et devrait être enlevée lorsque nécessaire. Pour minimiser les chances que cela survienne de nouveau, il est recommandé que les événements qui passent à travers des espaces non chauffés (greniers, garages, espaces réduits) soient recouverts d'un manchon isolant en mylar. Assurez-vous que le manchon ne puisse pas s'affaisser. Pour plus de renseignements, contactez votre détaillant local autorisé.

SYMPTÔME	PROBLÈME	SOLUTIONS															
La veilleuse ne s'allume pas.	Aucune étincelle au brûleur de la veilleuse.	<ul style="list-style-type: none"> - Vérifiez si la veilleuse peut être allumée avec une allumette. - Vérifiez si le fil est raccordé au bouton-poussoir d'ignition. - Vérifiez si le bouton-poussoir d'ignition doit être resserré. - Remplacez le fil si son isolant est brisé ou effiloché - Remplacez l'électrode si l'isolateur de céramique est craqué ou brisé. - Remplacez le bouton-poussoir d'ignition. 															
	Plus de propane.	<ul style="list-style-type: none"> - Remplissez le réservoir. 															
	La longueur de l'étincelle est incorrecte.	<ul style="list-style-type: none"> - La longueur de l'étincelle devrait être de 0,150" (3,8mm) à 1,175" (4,5mm) entre la pointe de l'électrode et le brûleur de la veilleuse. Pour que l'électrode soit bien placée, serrez l'écrou avec les doigts et tournez 1/4 de tour de plus.. 															
	Pas de gaz au brûleur de la veilleuse.	<ul style="list-style-type: none"> - Vérifiez si la soupape manuelle est ouverte. - Vérifiez si l'injecteur de la veilleuse est bloqué. - Remplacez la soupape. - Contactez le fournisseur de gaz. 															
Les flammes sont régulièrement trop grandes ou trop petites. Il y a des dépôts de carbone.	La pression du gaz est trop faible ou trop forte.	<ul style="list-style-type: none"> - Vérifiez la pression: - Pour vérifier la pression d'arrivée, tournez deux ou trois fois la vis (A) vers a gauche, puis emboîtez le tube du manomètre sur la pointe d'essai. Le manomètre doit indiquer la pression comme décrit sur le diagramme ci-dessous. Assurez-vous que le brûleur principal fonctionne à 'HI'. - La pression de sortie peut être vérifiée de la même façon en utilisant la vis(B). Le manomètre doit indiquer la pression comme décrit sur la diagramme ci-dessous. Assurez-vous que le brûleur principal fonctionne à 'HI'. - APRÈS AVOIR PRIS LA LECTURE DES PRESSIONS, ASSUREZ-VOUS DE TOURNER FERMEMENT LA VIS VERS LA DROITE POUR SCELLER NE SERREZ PAS TROP FORT. - Vérifiez pour des fuites en appliquant une solution d'eau savonneuse. 															
		<table border="1"> <thead> <tr> <th>Pression</th> <th>Gaz Naturel (pouces)</th> <th>Gaz Naturel (millibars)</th> <th>Propane (pouces)</th> <th>Propane (millibars)</th> </tr> </thead> <tbody> <tr> <td>Arrivée</td> <td>7" (min.4,5")</td> <td>17,4 mb (min.11,2mb)</td> <td>13" (min.11")</td> <td>32,4 mb (min.27,4mb)</td> </tr> <tr> <td>Sortie</td> <td>3,5"</td> <td>8,7 mb</td> <td>10"</td> <td>24,9 mb</td> </tr> </tbody> </table>	Pression	Gaz Naturel (pouces)	Gaz Naturel (millibars)	Propane (pouces)	Propane (millibars)	Arrivée	7" (min.4,5")	17,4 mb (min.11,2mb)	13" (min.11")	32,4 mb (min.27,4mb)	Sortie	3,5"	8,7 mb	10"	24,9 mb
	Pression	Gaz Naturel (pouces)	Gaz Naturel (millibars)	Propane (pouces)	Propane (millibars)												
Arrivée	7" (min.4,5")	17,4 mb (min.11,2mb)	13" (min.11")	32,4 mb (min.27,4mb)													
Sortie	3,5"	8,7 mb	10"	24,9 mb													
Les flammes sont très actives.	La porte est entrouverte. Forte action de ventilation.	<ul style="list-style-type: none"> - Serrez les vis qui retiennent la porte en place. - Assurez-vous que l'évacuation est adéquatement scellée. - Si aucune plaque de restriction n'est fournie avec l'appareil, étranglez la sortie de l'évacuation avec la plaque de restriction listée à la section 'ACCESSOIRES'. 															
Du carbone se dépose sur la vitre les bûches ou les parois de la chambre de combustion.	Le volet d'air est bloqué.	<ul style="list-style-type: none"> - Assurez-vous que l'ouverture du volet d'air n'est pas bloquée par des fibres ou autres obstructions. - Vérifiez si les bûches sont positionnées correctement. - Augmentez l'ouverture du volet d'air pour augmenter le volume d'air primaire. - Vérifiez le débit d'alimentation: vérifiez que la pression du collecteur et la grandeur de l'injecteur sont telles que spécifiées sur la plaque d'homologation. - Vérifiez si les joints de la porte ne sont pas brisés ou manquants et qu'ils sont étanches. - Vérifiez si les deux conduits d'event ne sont pas troués et qu'ils sont bien scellés à tous les joints. - Vérifiez si l'élévation minimale par pied (mètre) est conforme pour toute évacuation horizontale. 															

SYMPTÔME	PROBLÈME	SOLUTIONS
Une pellicule blanche ou grise se forme.	Le souffre du combustible se dépose sur la vitre, les bûches ou les parois de la chambre de combustion.	<ul style="list-style-type: none"> - Nettoyez la vitre avec un nettoyeur recommandé. - NE PAS NETTOYER LORSQU'ELLE EST CHAUDE. - Si vous ne nettoyez pas les dépôts régulièrement, la vitre risque de rester marquée en permanence.
On détecte l'odeur des gaz de combustion dans la pièce; maux de tête.	L'appareil refoule les gaz de combustion dans la pièce.	<ul style="list-style-type: none"> - Assurez-vous de l'étanchéité de la buse d'évacuation amovible. - Vérifiez tous les joints scellés et la plaque d'expansion. - Vérifiez si la cheminée ne serait pas bloquée. - Vérifiez si la cheminée est installée selon les codes du bâtiment. - La pièce est sous pression négative; augmentez l'apport d'air frais. - Vérifiez le joint d'étanchéité du couvercle d'évacuation.
L'interrupteur mural est à « OFF » ; le brûleur principal s'allume lorsque le bouton du gaz est tourné à « ON ».	L'interrupteur mural est raccordé à l'envers.	- Raccordez à l'endroit.
	L'interrupteur mural cause un court-circuit.	- Remplacez.
	Le fil de l'interrupteur mural cause un court-circuit.	- Vérifiez si le fil est bien mis à la terre; réparez ou remplacez le fil.
	Soupape défectueuse.	- Remplacez.

42.3_3

Les produits Napoléon® sont fabriqués conformément aux normes strictes du Certificat d'Assurance de la Qualité mondialement reconnu ISO 9001 : 2008.

Les produits Napoléon® sont conçus avec des composants et des matériaux de qualité supérieure, assemblés par des artisans qualifiés qui sont fiers de leur travail. Le brûleur et le montage de la soupape subissent un test de détection de fuite et d'allumage à une station de test de qualité. Une fois assemblé, chaque appareil est soigneusement inspecté par un technicien qualifié avant d'être emballé pour garantir que vous, le client, recevez le produit de qualité dont vous vous attendez de Napoléon®.

GARANTIE À VIE LIMITÉE DU PRÉSIDENT DES APPAREILS AU GAZ NAPOLÉON®

Les matériaux suivants et la fabrication de votre nouveau appareil au gaz Napoléon® sont garantis contre les défauts tant que vous en êtes le propriétaire. Ceci couvre : la chambre de combustion, l'échangeur de chaleur, le brûleur en acier inoxydable, les bûches PHAZER® et les braises, les roches, la vitre en céramique (cassure thermique seulement), les pièces plaquées or contre le ternissement, les composants en porcelaine émaillée et les moulures d'extrusion en aluminium.*

Les composants électriques (110V et millivolt) et les pièces soumises à l'usure tels que les souffleries, les soupapes de gaz, l'interrupteur thermique, les interrupteurs, l'installation électrique, les télécommandes, l'allumeur, les joints d'étanchéité et l'assemblage de la veilleuse sont couverts et NAPOLÉON® fournira gratuitement les pièces de rechange durant la première année de la garantie limitée.*

Les coûts de main-d'oeuvre relatifs aux réparations garanties sont couverts gratuitement durant la première année. Cependant, les travaux de réparation nécessitent l'approbation préalable d'un représentant autorisé de la compagnie. Les coûts de main-d'oeuvre à la charge de Napoléon® sont basés sur un programme de tarifs prédéterminé et tout travail de réparation doit être accompli par l'entremise d'un représentant autorisé Napoléon®.

* La fabrication de chaque modèle varie. La garantie s'applique uniquement aux composants disponibles avec votre appareil.

CONDITIONS ET LIMITATIONS

NAPOLÉON® garantit ses produits contre les défauts de fabrication à l'acheteur d'origine seulement. L'enregistrement de la garantie n'est pas nécessaire. Fournissez simplement une preuve d'achat ainsi que le modèle et le numéro de série afin d'effectuer une réclamation de garantie. Napoléon® se réserve le droit de demander à son représentant d'inspecter tous produits ou pièces avant d'honorer toute réclamation. L'achat doit avoir été fait par l'entremise d'un détaillant NAPOLÉON® autorisé et sous réserve des conditions et limitations suivantes :

La couverture de la garantie débute à partir de la date d'installation originale.

Cette garantie du fabricant n'est pas transférable et ne peut être prolongée ou étendue par aucun de nos représentants quelle qu'en soit la raison.

L'appareil au gaz doit être installé par un installateur ou entrepreneur qualifié. L'installation doit être faite conformément aux instructions d'installation incluses avec le produit et à tous les codes d'incendie et de construction locaux et nationaux.

Cette garantie limitée ne couvre pas les dommages causés par un mauvais usage, un manque d'entretien, un accident, des altérations, des abus ou de la négligence et l'installation de pièces d'autres fabricants annulera cette garantie.

Cette garantie limitée ne couvre pas non plus les égratignures, les bossellements, la corrosion ou la décoloration causés par une chaleur excessive, des produits d'entretien chimiques et abrasifs ou l'écaillage des pièces en porcelaine émaillée, le bris par manipulation des bûches PHAZER® et des braises.

NAPOLÉON® garantit à vie ses brûleurs en acier inoxydable contre les défauts de fabrication et de matériau sous réserve des conditions suivantes : durant les dix premières années, NAPOLÉON® remplacera ou réparera selon notre option les pièces défectueuses gratuitement. Après les dix premières années, NAPOLÉON® fournira les brûleurs de rechange à 50 % du prix de détail courant.

Au cours de la première année seulement, cette garantie s'applique à la réparation ou au remplacement des pièces garanties dont les matériaux ou la fabrication sont défectueux à la condition que le produit ait été utilisé conformément aux instructions de fonctionnement et dans des conditions normales.

Après la première année, concernant cette Garantie à Vie Limitée du Président, NAPOLÉON® peut, à sa discrétion, se libérer entièrement de toutes obligations en ce qui concerne cette garantie en remboursant à l'acheteur d'origine le prix de gros de toute pièce garantie qui est défectueuse.

NAPOLÉON® ne sera pas responsable de l'installation, de la main-d'oeuvre ou autres dépenses relatives à la réinstallation d'une pièce garantie et de telles dépenses ne sont pas couvertes par cette garantie.

Nonobstant toutes les dispositions contenues dans cette Garantie à Vie Limitée du Président, la responsabilité de NAPOLÉON® sous cette garantie est définie comme ci-dessus et elle ne s'appliquera à aucun dommage accidentel, consécutif ou indirect.

Cette garantie définit l'obligation et la responsabilité de NAPOLÉON® en ce qui concerne l'appareil au gaz Napoléon®. Toute autre garantie énoncée ou implicite en ce qui concerne ce produit, ses composants ou accessoires est exclue.

NAPOLÉON® n'endosse ni n'autorise aucun tiers à assumer en son nom, toute autre responsabilité concernant la vente de ce produit. NAPOLÉON® ne sera pas responsable d'une surchauffe, des refoulements, des déversements causés par des conditions environnementales telles que des toits, des bâtiments, la proximité d'arbres, de collines, de montagnes, une ventilation ou des événements inadéquats, une configuration d'évacuation excessive, un apport d'air insuffisant ou des pressions négatives qui peuvent ou non être causés par des systèmes mécaniques tels que les ventilateurs d'évacuation, les fournaies, les sècheuses de linge, etc.

Tout dommage causé à l'appareil, à la chambre de combustion, à l'échangeur de chaleur, aux garnitures plaquées ou autres composants par l'eau, les dommages causés par les intempéries, de longues périodes d'humidité, la condensation, des produits chimiques ou produits d'entretien nuisibles ne seront pas la responsabilité de NAPOLÉON®.

Toutes les pièces remplacées en vertu de la politique de Garantie à vie limitée du Président ne peuvent faire l'objet que d'une seule réclamation.

Durant les dix premières années, NAPOLÉON® remplacera ou réparera les pièces défectueuses qui sont couvertes par la garantie à vie limitée à sa discrétion gratuitement. Après les dix premières années, NAPOLÉON® fournira les pièces de rechange à 50 % du prix de détail courant.

Toutes les pièces remplacées au titre de la garantie seront couvertes pour une période de 90 jours à partir de leur date d'installation.

Le fabricant peut exiger que les pièces défectueuses ou les produits soient retournés ou que des photos numériques soient fournies pour valider la réclamation. Les produits retournés doivent être expédiés port payé au fabricant pour une inspection en usine. Si un produit est déclaré défectueux, le fabricant le réparera ou le remplacera.

Avant d'expédier votre appareil ou les pièces défectueuses, votre détaillant doit obtenir un numéro d'autorisation. Toute marchandise expédiée à notre usine sans autorisation sera refusée et retournée à l'expéditeur.

Les coûts d'expédition ne sont pas couverts par cette garantie.

Des frais de service supplémentaires peuvent être appliqués si vous cherchez à obtenir des services au titre de la garantie auprès d'un détaillant. Les indemnités de main-d'oeuvre au titre de la garantie s'appliquent uniquement pour le remplacement d'une pièce garantie. Les frais de déplacement, de tests de diagnostic, d'expédition et autres frais afférents ne sont pas couverts par cette garantie.

TOUTES LES SPÉCIFICATIONS ET LES CONCEPTIONS SONT SUJETTES À MODIFICATIONS SANS PRÉAVIS EN RAISON DES AMÉLIORATIONS CONSTANTES APPORTÉES AUX PRODUITS. NAPOLÉON® EST UNE MARQUE DE COMMERCE DÉPOSÉE DE WOLF STEEL LTÉE.

COMME EXIGÉ PAR LE MINISTÈRE DE L'ÉNERGIE AUX ETATS-UNIS, 10 CFR SÉPARE 430, LA GARANTIE EST VIDE SI CE PRODUIT EST UTILISÉ AVEC UN THERMOSTAT. CECI S'APPLIQUE AU PRODUIT SEULEMENT INSTALLÉ AUX ETATS-UNIS.

Autres produits Napoléon



Foyers encastrés • Grils au charbon de bois • Foyers au gaz • Cascades d'eau
Poêles à bois • Produits HVAC • Foyers électriques • Foyers extérieurs • Grils à gaz de qualité



7200, Route Transcanadienne, Montréal, Québec H4T 1A3
24 Napoleon Road, Barrie, Ontario, Canada L4M 0G8
214 Bayview Drive, Barrie, Ontario, Canada L4N 4Y8
103 Miller Drive, Crittenden, Kentucky, USA 41030

Foyers / Chauffage et Climatisation / Grils composez : 514-737-6294
napoleonproducts.com