

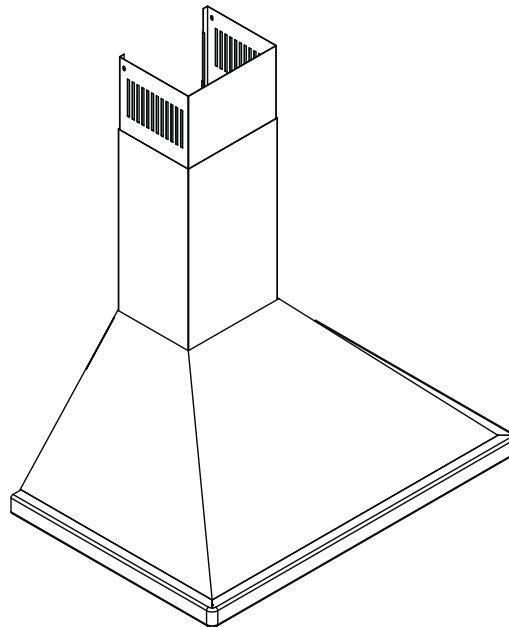
# MISENO



MODEL #.

MH00130CS

MH00136CS



## Installation, Use and Care Guide

READ AND SAVE THESE INSTRUCTIONS



---

<b>SAFETY NOTICE</b> .....	2-3
<b>LIST OF MATERIALS</b> .....	4
<b>INSTALLATION</b>	
Ducting Calculation Sheet .....	5
Mounting Height & Clearance .....	6
Ducting Options .....	7
Hood Specifications .....	8
Mounting the Hood .....	9
Ductless Recirculating .....	10
<b>FEATURES &amp; CONTROLS</b>	
Mechanical Controls .....	11
<b>MAINTENANCE</b>	
Hood and Filter Cleaning .....	12
Light Bulbs .....	13
<b>TROUBLESHOOTING</b> .....	14
<b>WIRING DIAGRAMS</b> .....	15
<b>LIST OF PARTS AND ACCESSORIES</b> .....	16

**READ AND SAVE THESE INSTRUCTIONS****Important Safety Notice****WARNING**

TO REDUCE THE RISK OF FIRE OR ELECTRIC SHOCK, DO NOT USE THIS FAN WITH ANY SOLID-STATE CONTROL DEVICE.

**WARNING**

TO REDUCE THE RISK OF FIRE ELECTRIC SHOCK, OR INJURY TO PERSONS, OBSERVE THE FOLLOWING:

- a. Use this unit only in the manner intended by the manufacturer, if you have questions, contact the manufacturer.
- b. Before servicing or cleaning unit, switch power off at service panel and lock panel to prevent power from being switched on accidentally. When the service disconnecting means cannot be locked, securely fasten a prominent warning device, such as a tag, to the service panel.

**CAUTION**

For general ventilating use only. Do not use to exhaust hazardous or explosive materials and vapors. Take care when using cleaning agents or detergents. Suitable for use in household cooking area.

**WARNING**

TO REDUCE THE RISK OF RANGE TOP GREASE FIRE:

- a. Never leave surface units unattended at high settings. Boilovers cause smoking and greasy spillovers that may ignite. Heat oils slowly on low or medium settings.
- b. Always turn hood ON when cooking at high heat or when flaming food
- c. Clean ventilating fans frequently. Grease should not be allowed to accumulate on fan or filter.
- d. Use proper pan size. Always use cookware appropriate for the size of the surface element.
- e. Keep fan, filters and grease laden surfaces clean.
- f. Use high setting on hood only when necessary.
- g. Don't leave hood unattended when cooking.
- h. Always use cookware and utensils appropriate for the type of and amount of food being prepared.

**WARNING**

TO REDUCE THE RISK OF INJURY TO PERSONS IN THE EVENT OF A RANGE TOP FIRE, OBSERVE THE FOLLOWING:

- a. SMOTHER FLAMES with a close-fitting lid, cookie sheet, or metal tray, then turn off the burner. BE CAREFUL TO PREVENT BURNS. If the flames do not go out immediately, EVACUATE AND CALL THE FIRE DEPARTMENT.
- b. NEVER PICK UP A FLAMING PAN – You may be burned.
- c. DO NOT USE WATER, including wet dishcloths or towels – a violent steam explosion will result.
- d. Use an extinguisher ONLY if:
  1. You know you have a Class ABC extinguisher, and you already know how to operate it.
  2. The fire is small and contained in the area where it started.
  3. The fire department is being called.
  4. You can fight the fire with your back to an exit

**WARNING**

TO REDUCE THE RISK OF FIRE, ELECTRIC SHOCK OR INJURY TO PERSONS, OBSERVE THE FOLLOWING:

- a. Installation work and electrical wiring must be done by qualified person(s) in accordance with all applicable codes and standards. Including fire-rated construction.
- b. Sufficient air is needed for power combustion and exhausting of gases through the flue (chimney) of fuel burning equipment to prevent back-drafting. Follow the heating equipment manufacturer's guideline and safety standards such as those published by the National Fire Protection Association (NFPA) and the American Society for Heating, Refrigeration and Air Conditioning Engineers (ASHRAE) and the local code authorities.
- c. When cutting or drilling into wall or ceiling, do not damage electrical wiring and other hidden utilities.
- d. Ducted fans must always vent to the outdoors.
- e. NEVER place a switch where it can be reached from a tub or shower.
- f. Make sure the power is off before installing, wiring or maintenancing.

**WARNING**

TO REDUCE THE RISK OF FIRE, USE ONLY METAL DUCTWORK.

**CAUTION**

To reduce risk of fire and to properly exhaust air outside - Do not vent exhaust air into spaces within walls, ceilings, attics, crawl spaces or garages.

**OPERATION**

Always leave safety grilles and filters in place. Without these components, operating blowers could catch onto hair, fingers and loose clothing.

The manufacturer declines all responsibility in the event of failure to observe the instructions given here for installation, maintenance and suitable use of the product. The manufacturer further declines all responsibility for injury due to negligence and the warranty of the unit automatically expires due to improper maintenance.

**ELECTRICAL REQUIREMENTS**

**Important:**

Observe all governing codes and ordinances.

It is the customer's responsibility:

- To contact a qualified electrical installer.
- To assure that the electrical installation is adequate and in conformance with National Electrical Code, ANSI/NFPA 70 latest edition\* or CSA standards C22.1-94, Canadian Electrical Code, Part 1 and C22.2 No.0-M91 - latest edition\*\* and all local codes and ordinances.

If codes permit and a separate ground wire is used, it is recommended that a qualified electrician determine that the ground path is adequate.

Do not ground to a gas pipe.

Check with a qualified electrician if you are not sure the range hood is properly grounded.

Do not have a fuse in the neutral or ground circuit.

\*National Fire Protection Association Batterymarch Park, Quincy, Massachusetts 02269

\*\* CSA International 8501 East Pleasant Valley Road, Cleveland, Ohio 44131-5575

This appliance requires a 120V 60Hz electrical supply and connected to an individual properly grounded branch circuit protected by a 15 or 20 ampere circuit breaker or time delay fuse. Wiring must be 2 wire with ground. Please also refer to Electrical Diagram on product.

A cable locking connector (not supplied) might also be required by local codes. Check with local requirements, purchase and install appropriate connector if necessary.

MH00130CS & MH00136CS - 400 Watts, 3.3 Amps

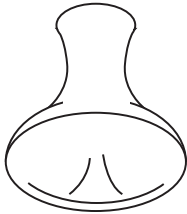
**MODELS: MH00130CS & MH00136CS**

**PARTS SUPPLIED**

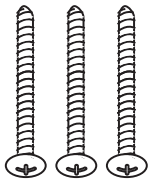
- 1 - Hood with internal blower
- 1 - Duct cover wall bracket
- 1 - Duct cover assembly (top and bottom)
- 1 - Hardware package
- 1 - 6" round backdraft damper (pre-installed)
- 2 - 50W GU-10 halogen light bulbs
- 2 - Aluminum mesh filters

**HARDWARE PACKAGE CONTENTS**

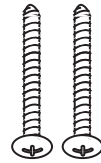
(1) Light Bulb Removal  
Suction Cup



(3) M6 x 1-1/2"



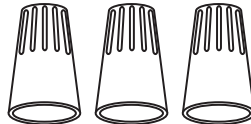
(2) M6 x 1"



(4) M3.5 x 8



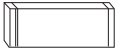


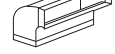


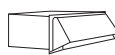




(3) Wire Nuts








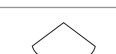




**PARTS NOT SUPPLIED**

- Ducting, conduit and all installation tools
- Cable connector (if required by local codes)
- Extension duct cover accessory
- Recirculating kit accessory

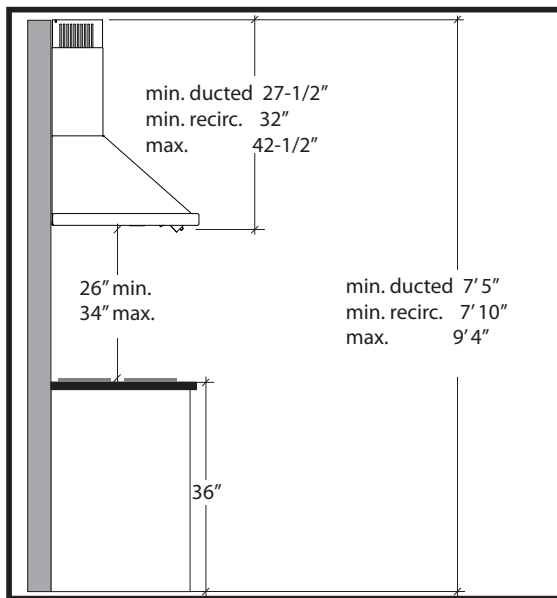
# Installation – Ducting Calculation Sheet

Duct pieces		Equivalent number length x used =	Total
	3-1/4" x 10" Rect., straight	1 Ft. x ( ) =	Ft.
	7" Round, straight	1 Ft. x ( ) =	Ft.
	8" Round, straight	1 Ft. x ( ) =	Ft.
	3-1/4" x 10" Rect. 90° elbow	15 Ft. x ( ) =	Ft.
	3-1/4" x 10" Rect. 45° elbow	9 Ft. x ( ) =	Ft.
	3-1/4" x 10" Rect. 90° flat elbow	24 Ft. x ( ) =	Ft.
	3-1/4" x 10" Rect. wall cap with damper	30 Ft. x ( ) =	Ft.
	3-1/4" x 10" Rect. to 6" round transition	5 Ft. x ( ) =	Ft.
	3-1/4" x 10" Rect. to 6" round transition 90° elbow	20 Ft. x ( ) =	Ft.
	6" Round, 90° elbow	15 Ft. x ( ) =	Ft.
	6" Round, 45° elbow	9 Ft. x ( ) =	Ft.
Subtotal column 1 =			Ft.

Duct pieces		Equivalent number length x used =	Total
	6" - 8" Round wall cap with damper	30 Ft. x ( ) =	Ft.
	6" - 8" Round, roof cap	30 Ft. x ( ) =	Ft.
	6" round to 3-1/4" x 10" rect. transition	1 Ft. x ( ) =	Ft.
	6" round to 3-1/4" x 10" rect. transition 90° elbow	16 Ft. x ( ) =	Ft.
	7" or 8" Round, 90° elbow	15 Ft. x ( ) =	Ft.
	7" or 8" Round, 45° elbow	9 Ft. x ( ) =	Ft.
	7" or 8" Round wall cap with damper	30 Ft. x ( ) =	Ft.
	7" or 8" Round, roof cap	30 Ft. x ( ) =	Ft.
	7" round to 3 1/4" x 10" rect. transition	8 Ft. x ( ) =	Ft.
	7" round to 3-1/4" x 10" rect. transition 90° elbow	23 Ft. x ( ) =	Ft.
Subtotal column 2 =			Ft.
Subtotal column 1 =			Ft.
Total ductwork =			Ft.

**Maximum Duct Length:** For satisfactory air movement, the total duct length of a 3 1/4" x 10" rectangular 6" or 7" diameter round duct should not exceed 100 equivalent feet.

# Installation – Mounting Height & Clearance



## DUCTING

A minimum of 6" round duct must be used to maintain maximum air flow efficiency.

Always use rigid type metal ducts only. Flexible ducts could restrict air flow by up to 50%.

Use calculation worksheet to compute total duct work (Page 5).

ALWAYS, when possible, reduce the number of transitions and turns. If a long duct run is required, increase duct size from 6" to 7" or 8".

If turns or transitions are required: Install as far away from duct opening and as far apart between the two transitions as possible.

Minimum mount height between range top to hood bottom should be no less than 26".

Maximum mount height should be no higher than 34".

It is important to install the hood at the proper mounting height. Hoods mounted too low could result in heat damage and fire hazard; while hoods mounted too high will be hard to reach and will lose its performance and efficiency.

If available, also refer to range manufacturer's height clearance requirements and recommended hood mounting height above range. Always check your local codes for any differences.

Duct cover extension kit available for ceiling heights up to 12 feet. Turn to page 16 for part number and ordering information.

### DAMAGE-SHIPMENT / INSTALLATION:

- Please fully inspect unit for damage before installation.
- If the unit is damaged in shipment, return the unit to the store in which it was bought for repair or replacement.
- If the unit is damaged by the customer, repair or replacement is the responsibility of the customer.
- If the unit is damaged by the installer (if other than the customer), repair or replacement must be made by arrangement between customer and installer.



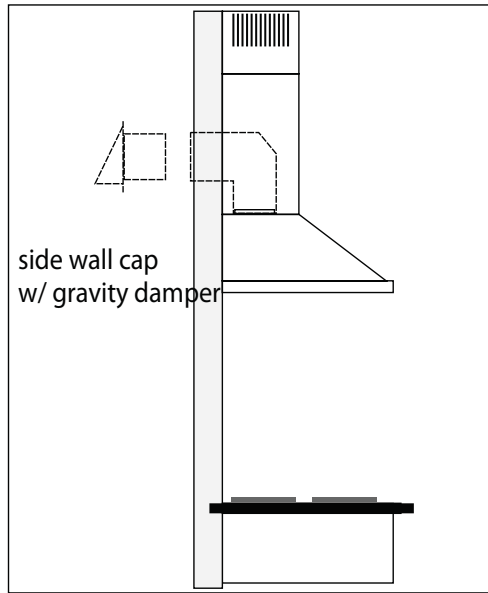
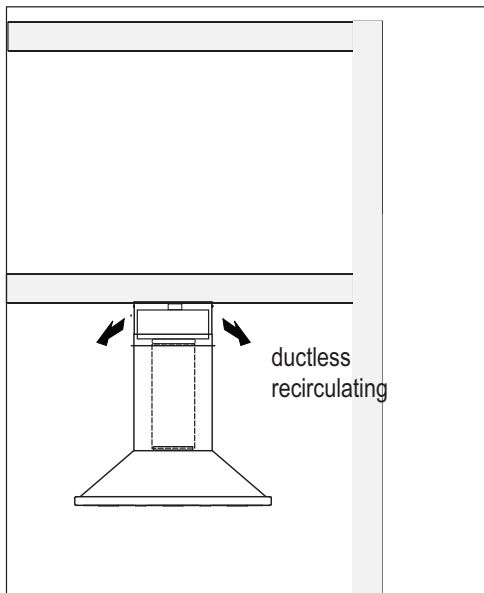
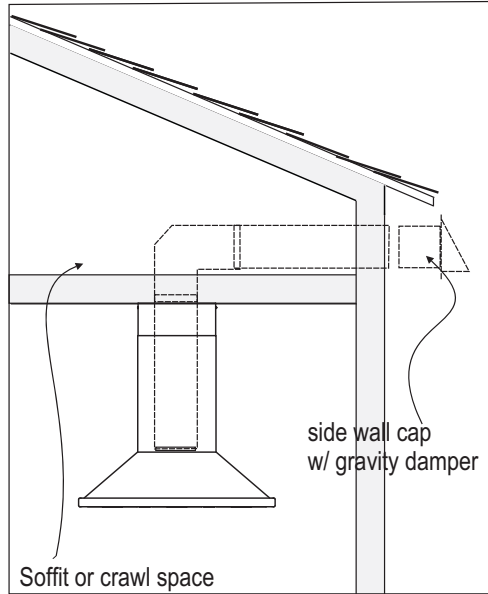
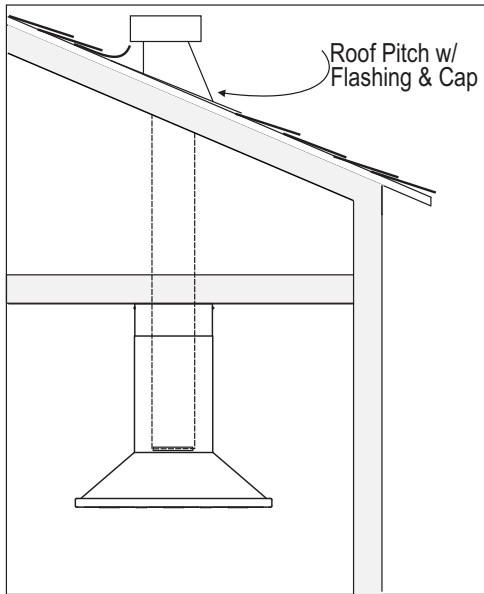
**WARNING FIRE HAZARD**

NEVER exhaust air or terminate duct work into spaces between walls, crawl spaces, ceiling, attics or garages. All exhaust must be ducted to the outside, unless using the recirculating option.

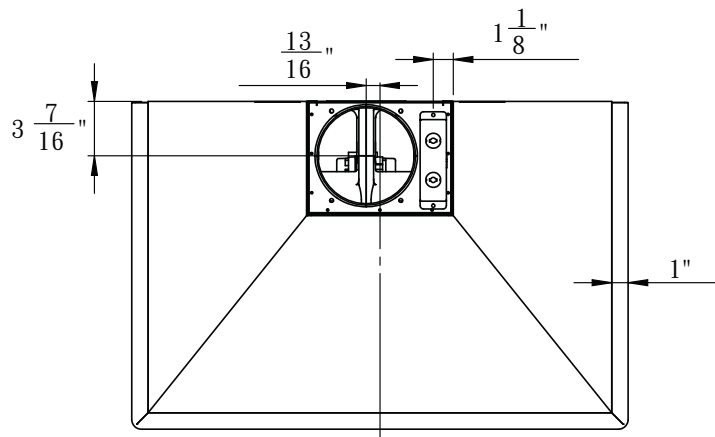
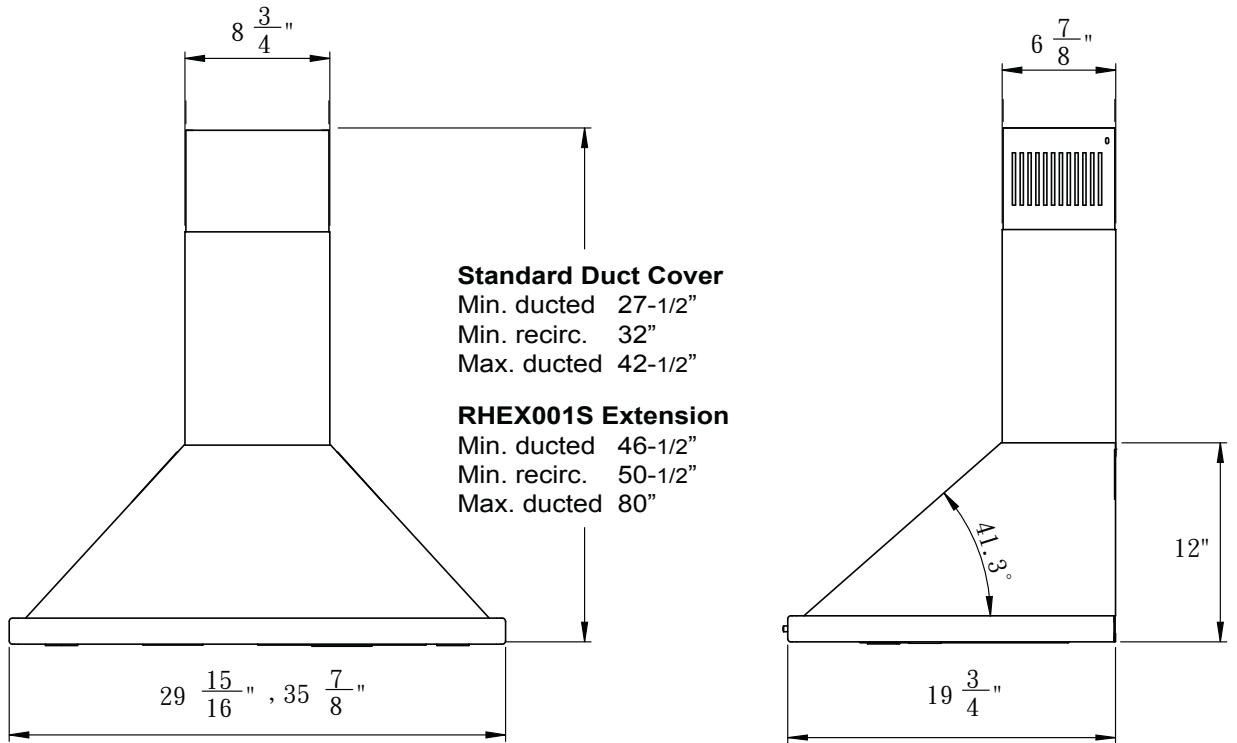
Use single wall rigid Metal ductwork only.

Fasten all connections with sheet metal screws and tape all joints w/ certified Silver Tape or Duct Tape.

**Some Ducting Options**



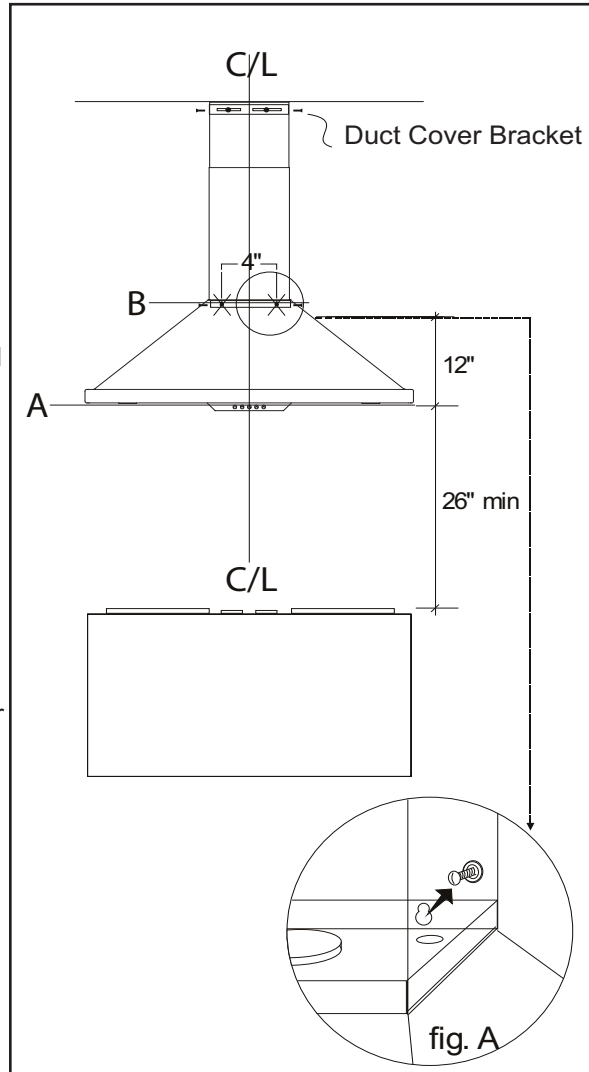
# Installation – Hood Specifications



**CAUTION:** At least two installers are required due to the weight and size of the hood.

1. Measure from range top to hood bottom and mark line A. (26" minimum from range top) .
2. Plum and mark center line.
3. Mark mounting height line B. (12" from line A)
4. Mark mounting spread from C/L on line B. (4")
5. Fasten (2) M6x1-1/4" screws into studs on line B. Do not fasten screws all the way. **Note: wood blocking may need to be added behind the drywall if no studs are present. Wall anchors may also be used but check local codes for compliance. Failure to use suitable wall anchors and screws to hold the weight of the hood could result in personal injury or damage to cooking surface or counter.**
6. Hang hood onto screws and hand tighten. (Fig.A) Use the last M6x1-1/4" screw to further secure the hood to the wall from inside the hood.
7. Center and attach duct cover bracket to wall below ceiling or soffit using (2) M6x1" screws.
8. Install electrical.
9. \*Install duct work and duct tape.
10. Power up hood and check for leaks around duct tape.
11. Place telescopic duct covers onto hood and extend inner (top) duct cover upwards and secure to duct cover bracket using (2) M4x3/8" screws.

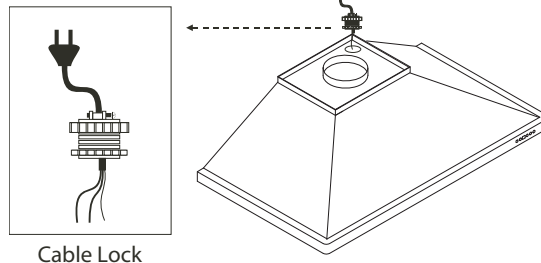
\*if using hood in recirculating mode you must secure air diverter plate onto wall before installing duct work and duct covers. Turn to page 10 for more details.



**WARNING:** Electrical wiring must be done by a qualified person(s) in accordance with all applicable codes and standards. This range hood must be properly grounded. Turn off electrical power at service entrance before wiring.

### Cable Lock

A cable locking connector (not supplied) might be required by local codes. Check with local requirements and codes, purchase and install appropriate connector if necessary.



Ductless recirculation is intended for applications where an exhaust duct work is not possible to be installed. When converted, the hood functions as a recirculating hood rather than an exhaust hood. Fumes and exhaust from cooking are drawn and filtered by a set of optional charcoal filters. The air is then purified and re-circulated back within the home.

We recommend to ALWAYS exhaust air outside of the home by employing existing or installing new duct work, if possible. The hood is most effective and efficient as an exhaust hood. Only when the exhaust option is not possible should you recourse to converting the hood into a recirculating hood.

When converted to be a recirculating hood, a set of charcoal filters are required on top of its standard Metal Filter set. Order according to its Part number below. The standard Metal Filters are intended to capture residue from cooking and the optional charcoal filters help to purify fumes exhausted from cooking for re-circulation.

### RECIRCULATING KIT (REQUIRED IF NO DUCTING IS USED)

Kit includes charcoal filters, charcoal filter brackets and air diverter plate.

Hood Model	Part No.	Filters & Brackets in Pkg.
MH00130CS / MH00136CS	RHRK001S	2

1. Purchase recirculating kit per the part number above
2. Secure air diverter plate to wall below duct cover bracket. (FIG. B) Run 6" ducting from top of hood and secure to air diverter plate.
3. Remove the stainless steel mesh filter(s) from hood. Secure the charcoal filter bracket(s) to the inside of the hood behind mesh filters with (4) M3.5 x 8 screws. Clip charcoal filters into each charcoal filter bracket opening. (FIG. B)
4. Re-Install mesh mesh filters.
5. Charcoal filters must be replaced after every 120 hours of use (or approximately every 3 to 4 months based on the average of 1 - 2 hrs. of daily cooking time).

**Note:** Refer to manual included with recirculating kit for more detailed installation instructions.

### Charcoal Filter Replacements

Hood Model	Part No.	Qty to Order
MH00130CS / MH00136CS	RHCF001	2

DO NOT WASH CHARCOAL FILTERS. Charcoal filters may need to be changed more often depending on cooking habits.

Charcoal Filter Dimensions:

9in x 6-3/8in  
228mm x 162mm

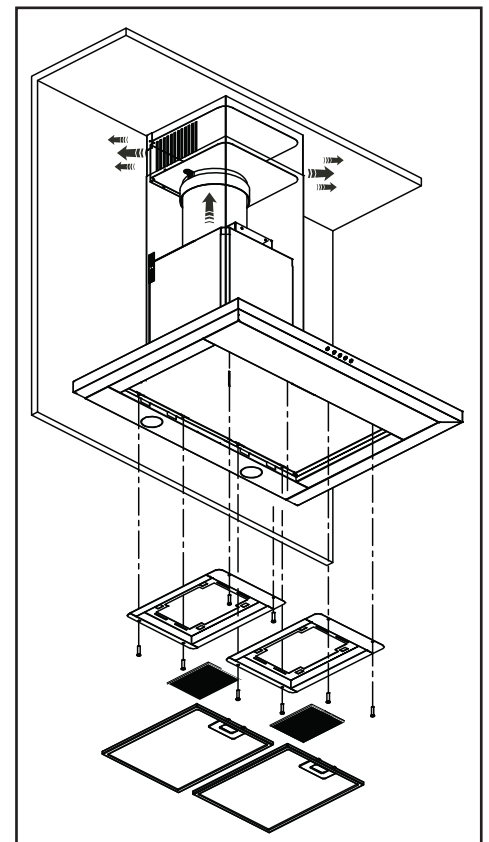
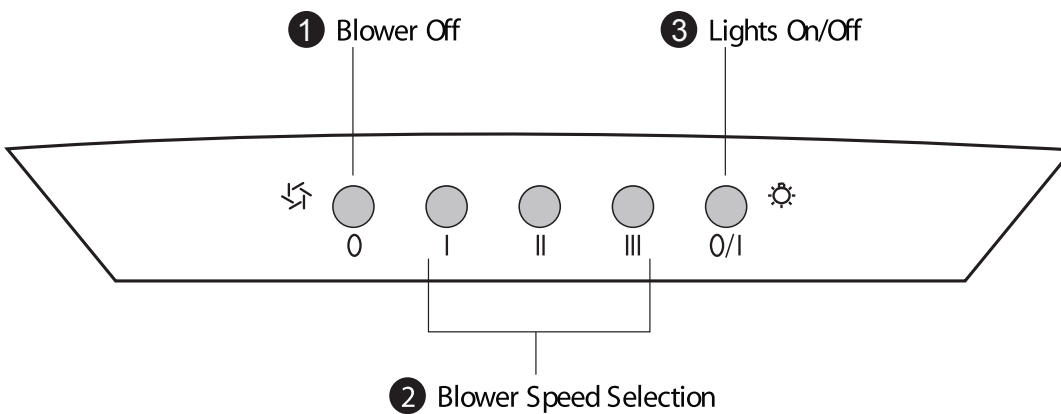


FIG. B



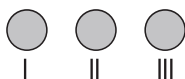
**1** Blower Off

The blower will be switched off by pressing:



**2** Blower Speed Selection

Select one of three speed levels by pressing:



**3** Lights On/Off

Switch lights on and off by pressing:



**SURFACE MAINTENANCE:**

Clean periodically with hot soapy water and clean cotton cloth. Do not use corrosive or abrasive detergent , or steel wool/scouring pads which will scratch and damage surface.

For heavier soil use liquid degreaser.

After cleaning it is recommended that you use non-abrasive stainless steel polish/cleaners, to polish and buff out the stainless luster and grain. Always scrub lightly, with clean cotton cloth, and with the grain.

Do not use any product containing chlorine bleach. Do not use “orange” cleaners.

**Metal Mesh Filters**

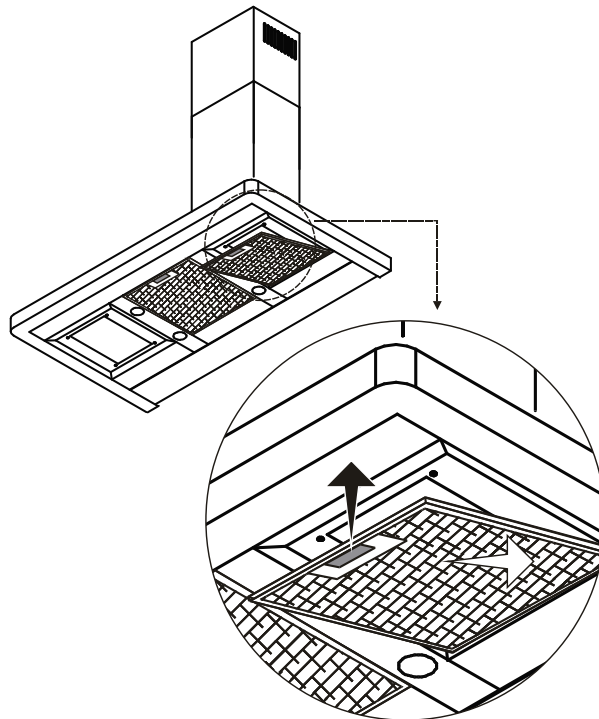
The metal mesh filters installed by the factory are intended to filter out residue and grease from cooking. They need not be replaced on a regular basis but are required to be kept clean.

Remove and clean by hand or in dishwasher on low heat. Spray degreasing detergent and leave to soak if heavily soiled.

Dry filters and re-install before using hood.

**Removing Metal Mesh Filters**

1. Push in on spring loaded handle
2. Pull down on filter handle to remove filter



## REPLACING LIGHT BULBS

**CAUTION:** Light bulb becomes extremely hot when turned on.

**DO NOT touch bulb until switched off and cooled. Touching hot bulbs could cause serious burns.**

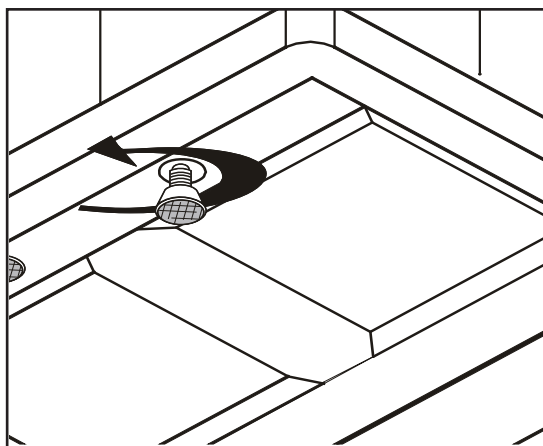
Make sure all power is turned off and bulbs are not hot.

Remove by turning bulb counter clockwise. Note: Bulb does not unscrew; it turns 60 degrees, stops and falls out.

If bulbs are difficult to turn due to prolonged use, firmly attach the provided glass suction cup to the bulb or use a rubber/latex glove and turn counter clockwise.

Replacement bulbs are available at specialty lighting stores. Purchase type GU-10 50W halogen.

For part numbers please turn to page 16 of the manual.



# Troubleshooting

## TROUBLESHOOTING PROCEDURES FOR MH00130CS & MH00136CS

Issue	Cause	What to do
After installation, the unit doesn't work.	1. The power source is not turned ON.	1. Make sure the circuit breaker and the unit's power is ON.
	2. The power line and the cable locking connector is not connecting properly.	2. Check the power connection with the unit is connected properly.
	3. The switch wirings are disconnected.	3. Make sure the wirings between the switch are connected properly.
	4. The switch is defective.	4. Change the switch.
Light works, but blower is not turning.	1. The blower wire is not connected.	1. Make sure the blower wire is plugged into the molex connector.
	2. Blower molex plug pin is not making contact.	2. Disconnect the blower molex plug, check pins inside plug to see if pin is pushed inside the plug too far. Reseat pin if needed.
	3. The blower is defective, possibly seized.	3. Change the blower.
	4. The thermally protected system detects if the blower is too hot to operate and shuts the blower down.	4. The blower will function properly after the thermally protected system cool down.
	5. Damaged capacitor.	5. Change the capacitor.
	6. The switch is defective.	6. Change the switch.
The unit is vibrating.	1. The blower is not secured in place.	1. Tighten the blower in place.
	2. Damaged blower wheel.	2. Replace the blower.
	3. The hood is not secured in place.	3. Check the installation of the hood.
The blower is working, but the lights are not.	1. The light bulb plug is disconnected.	1. Connect the light bulb plug.
	2. Defective halogen bulb.	2. Change the halogen bulb.
	3. The light bulb is loose.	3. Tighten the light bulb.
The hood is not venting out properly.	1. The hood might be hanging to high from the cook top.	1. Adjust the distance between the cook top and the bottom of the hood within 26" and 34" range.
	2. The wind from the opened windows or opened doors in the surrounding area are affecting the ventilation of the hood.	2. Close all the windows and doors to eliminate the outside wind flow.
	3. Blockage in the duct opening or ductwork.	3. Remove all the blocking from the duct work or duct opening.
	4. The direction of duct opening is against the wind.	4. Adjust the duct opening direction.
	5. Using the wrong size of ducting.	5. Change the ducting to at least 6" or higher.
Metal Filter is vibrating.	1. Metal filter is loose.	1. Change the metal filter.





C LIS

182766 ARH00130CS

Model: ARH00136CS

Voltage 120V 60Hz 3.3A

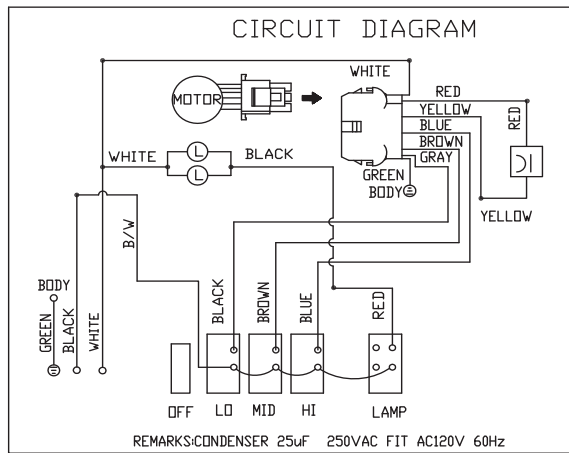
Power consumption

Total: 400W

Lamp: Max.50Wx2

Fan: 300W

THERMALLY PROTECTED



# Wiring Diagrams

# List of Parts & Accessories

<b>DESCRIPTION</b>	<b>PART#</b>
<b>Replacement Parts</b>	
Light Bulb GU-10 50W (each)	Z0B-0020
<b>Optional Accessories</b>	
Recirculating Kit	RHRK001S
Replacement Charcoal Filter (each)	RHCF001
Extension Duct Cover	RHEX001S

To order parts, email us at [vsupport@ventingservices.com](mailto:vsupport@ventingservices.com) or call us at 1.888.750.1698

# Limited Warranty

**STAPLE YOUR RECEIPT HERE  
Proof of the original purchase  
date is needed to obtain  
service under warranty**

**TO OBTAIN SERVICE UNDER WARRANTY OR FOR ANY SERVICE RELATED QUESTIONS, please call:  
1-888-750-1698**

Venting Services (referred to herein as “we” or “us”) warrants to the original consumer purchaser (referred to herein as “you” or “your”) of range hoods (the “Products”) that such Products will be free from defects in materials or workmanship as follows:

**One Year Limited Warranty for Parts:** For one year from the date of your original purchase of the Products, we will provide, free of charge, Products or parts to replace those that failed due to manufacturing defects. We may choose, in our sole discretion, to repair or replace parts before we elect to replace the Products.

**One Year Limited Warranty for Labor:** For one year from the date of your original purchase of the Products, we will provide, free of charge, the labor cost associated with repairing the Products or parts to replace those that failed due to manufacturing defects. After the first year from the date of your original purchase, you are responsible for all labor costs associated with this warranty.

**Warranty Exclusions:** This warranty covers only repair or replacement, at our option, of defective Products or parts and does not cover any other costs related to the Products including but not limited to: (a) normal maintenance and service required for the Products and consumable parts such as light bulbs, metal and carbon filters and fuses; (b) any Products or parts which have been subject to freight damage, misuse, negligence, accident, faulty installation or installation contrary to recommended installation instructions, improper maintenance or repair (other than by us); (c) commercial use of the Products or use otherwise inconsistent with its intended purpose; (d) natural wear of the finish of the Products or wear caused by improper maintenance, use of corrosive and abrasive cleaning products, pads, and oven cleaner products; (e) chips, dents or cracks caused by abuse or misuse of the Products; (f) service trips to your home to teach you how to use the Products; or (g) damage to the Products caused by accident, fire, floods or act of God. If you are outside our service area, additional charges may apply for shipping costs for warranty repair at our designated service locations and for the travel cost to have a service technician come to your home to repair, remove or reinstall the Products. After the first year from the date of your original purchase, you are also responsible for all labor costs associated with this warranty.

**Limitations of Warranty. OUR OBLIGATION TO REPAIR OR REPLACE, AT OUR OPTION, SHALL BE YOUR SOLE AND EXCLUSIVE REMEDY UNDER THIS WARRANTY. WE SHALL NOT BE LIABLE FOR INCIDENTAL, CONSEQUENTIAL OR SPECIAL DAMAGES ARISING OUT OF OR IN CONNECTION WITH THE USE OR PERFORMANCE OF THE PRODUCTS. THE EXPRESS WARRANTIES IN THE PRECEDING SECTION ARE EXCLUSIVE AND IN LIEU OF ALL OTHER EXPRESS WARRANTIES. WE HEREBY DISCLAIM AND EXCLUDE ALL OTHER EXPRESS WARRANTIES FOR THE PRODUCTS, AND DISCLAIM AND EXCLUDE ALL WARRANTIES IMPLIED BY LAW, INCLUDING THOSE OF MERCHANTABILITY AND FITNESS FOR A PARTICULAR PURPOSE.** Some states or provinces do not allow limitations on the duration of an implied warranty or the exclusion or limitation of incidental or consequential damages, so the above limitations or exclusions may not apply to you. To the extent that applicable law prohibits the exclusion of implied warranties, the duration of any applicable implied warranty is limited to the same one-year period described above. Any oral or written description of the Products is for the sole purpose of identifying the Products and shall not be construed as an express warranty. Prior to using, implementing or permitting use of the Products, you shall determine the suitability of the Products for the intended use, and you shall assume all risk and liability whatsoever in connection with such determination. We reserve the right to use functionally equivalent refurbished or reconditioned parts or Products as warranty replacements or as part of warranty service. This warranty is not transferable from the original purchaser and applies in the United States and Canada.

**To Obtain Service Under Limited Warranty:** To qualify for warranty service, you must: (a) notify us at the address or telephone number stated below within 60 days of the discovery of the defect; (b) give the model number and part identification number and serial number; and (c) describe the nature of any defect in the Product or part. At the time of the request for warranty service, you must present evidence of your proof of purchase and proof of the original purchase date. If we determine that the warranty exclusions listed above apply or if you fail to provide the necessary documentation to obtain service, you will be responsible for all shipping, travel, labor and other costs related to the services.

**Venting Services PO Box 6188 Oakland, CA 94603 | 1-888-750-1698 | [vsupport@ventingservices.com](mailto:vsupport@ventingservices.com)**