

Fresh Living Tip

Choosing a refrigeration solution that accomplishes many things and occupies minimal space is wise for small spaces. This all-in-one outdoor model centralizes the best features of a refrigerator, freezer and ice maker into one dynamic 24" footprint.

FINISH OPTIONS



24" Marvel Outdoor Refrigerator Freezer with Ice Maker Option

MORF224

Storage Adaptability

- Refrigerator's 3.9 cu. ft. holds up to (72) 12-oz cans
- Interior 1 cu. ft. freezer with self-closing door is large enough to hold up to 12 pints of ice cream
- Optional ice maker kit available to produce and store up to 13 lbs of crescent ice (field installable, see accessories for details)
- (2) partial-width cantilevered, fully adjustable FreshFlo commercial-grade stainless steel shelves, (1) fixed position stainless-steel-framed glass shelf, (1) MaxStore bin and (1) stainless-steel freezer shelf (removable)
- MaxStore smooth-glide clear bin organizes loose, bulky items; capable of storing 15 lbs of produce, 4 wine bottles or (22) 12-oz cans
- Adjustable cantilevered shelving allows easy customization to meet your changing storage needs

Cooling Performance

- Designed for outdoor use
- Dynamic cooling technology delivers rapid cool down, frost-free operation and precise temperature stability
- Proprietary shelving design allows for cool air to circulate throughout cabinet for temperature consistency from top to bottom
- Thermal-efficient cabinet insulates cooling environment and conserves energy while maximizing capacity
- Sound-buffering design

Convenient Controls

- Multifunction controls allow you to select a precise refrigeration temperature from 34° F to 42° F (freezer temp from -5° F to 0° F)
- Features easy-to-use settings and options

Warranty

- 1-year parts and labor warranty and 5-year sealed system parts warranty



The Marvel Outdoor Refrigerator Freezer packs beaucoup features into one dynamic undercounter cold storage solution certified for outdoor performance. The refrigerator stores 72 12-oz cans on an adjustable cantilever shelving system. A MaxStore bin organizes loose and bulky items and can hold 15 lbs of produce, 4 wine bottles or 22 12-oz cans. The interior freezer is large enough to hold 12 pints of ice cream. And, an optional ice maker kit is available to produce and store up to 13 lbs of crescent ice.

Fit & Finish

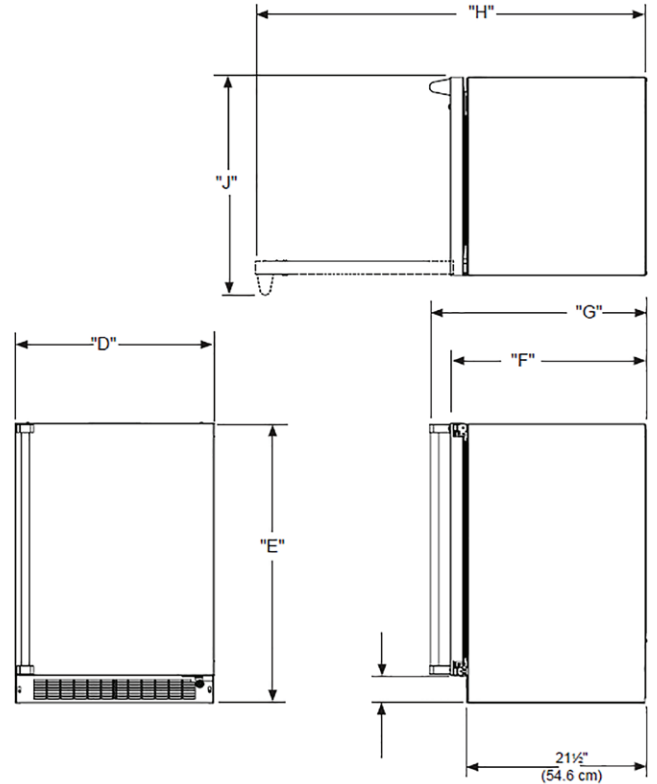
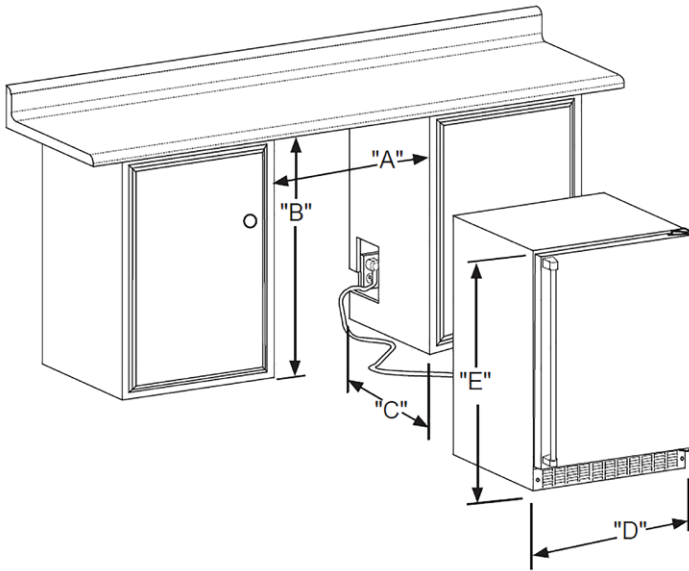
- Corrosion-resistant stainless steel exterior, sturdy pro-style handle and rugged stainless steel toe kick
- Reversible door allows for right or left swing for adaptable installation
- Stainless steel toe kick adjustable to 4" with leveling legs
- Door lock provides added safety and security

DOOR STYLE	MODEL NUMBER
Solid Stainless Steel	MORF224-SS31A
ACCESSORY	PART #
Crescent Ice Maker Kit (includes bin)	S42418151-ACCY





H: 33 3/4" W: 23 7/8" D: 26 7/32" (with handle)



Rough In Dimensions

"A"	"B"	"C"
24"	34-1/4" to 35-1/4"	24"
(61 CM)	(87 CM to 89.5 CM)	(61 CM)

Cabinet Dimensions

"D"	"E"	"F"	"G"	"H"	"J"
23-7/8"	33-5/8" TO 34-5/8"	23-5/8"	26-1/8"	47-3/4"	26-1/2"
(60.7 CM)	(85.4 CM TO 87.9 CM)	(60 CM)	(66.3 CM)	(146.6 CM)	(67.3 CM)

Capacity	4.9 CU. FT.
Control Type	Electronic
Sabbath Mode	Yes
Temperature Range	Refrigerator: 34° F to 42° F, Freezer: -5° F to 0° F
Handle Style	Professional
Door Swing	Reversible
Interior Lighting	White LED
Shelving System	Cantilevered
Toe Grille Finish	Stainless Steel

Lock	Yes
Electrical Requirements	115V / 60 Hz / 15A
Cord Length	6 FT.
Shipping Dimensions	28" W x 31" D x 37" H
Shipping Weight	160 LBS
Agency Approval	UL
Refrigerant Type	R600a

For comprehensive installation instructions, please visit marvelrefrigeration.com to access the owner's guide.

