

Fresh Living Tip

Refrigerated drawers are sturdy, easy-to-organize solutions for tall drinks, stacked cans and even food.

FINISH OPTIONS



24" Marvel Outdoor Refrigerated Drawers

MODR224

Storage Adaptability

- 5.0 cu. ft. capacity stores (108) 12-oz cans in two large-capacity roller-glide drawers
- Adjustable grip divider included in top drawer to organize and secure contents

Cooling Performance

- Designed for outdoor use
- Dynamic cooling technology delivers rapid cool down, frost-free operation and precise temperature stability
- Thermal-efficient cabinet insulates cooling environment and conserves energy while maximizing capacity
- Sound-buffering design

Convenient Controls

- Multifunction controls allow you to select a precise temperature from 34° F to 60° F
- Features easy-to-use settings and options

Fit & Finish

- Drawer interior durably constructed from stainless steel, the most hygienic, easy-to-clean and stain-resistant of materials
- Efficient arctic white LED lighting brightly illuminates interior for better viewing of contents
- Corrosion-resistant stainless steel exterior, sturdy pro-style handle and rugged stainless steel toe kick
- Stainless steel toe kick adjustable to 4" with leveling legs
- Door lock provides added safety and security

Warranty

- 1-year parts and labor warranty and 5-year sealed system parts warranty



Store as many as 108 cans in two large-capacity roller-glide drawers. Marvel Refrigerated Drawers offer maximum storage capacity within easy reach and include a convenient quick-grip divider to organize contents.

DOOR STYLE

Solid Stainless Steel

MODEL NUMBER

MODR224-SS71A



Precise temp control

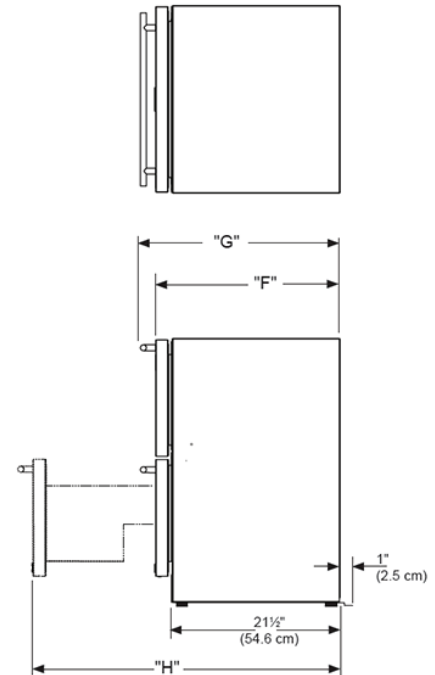
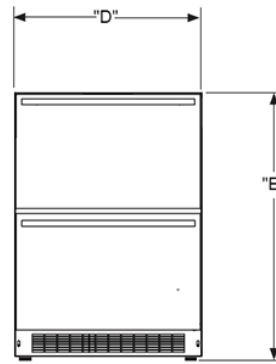
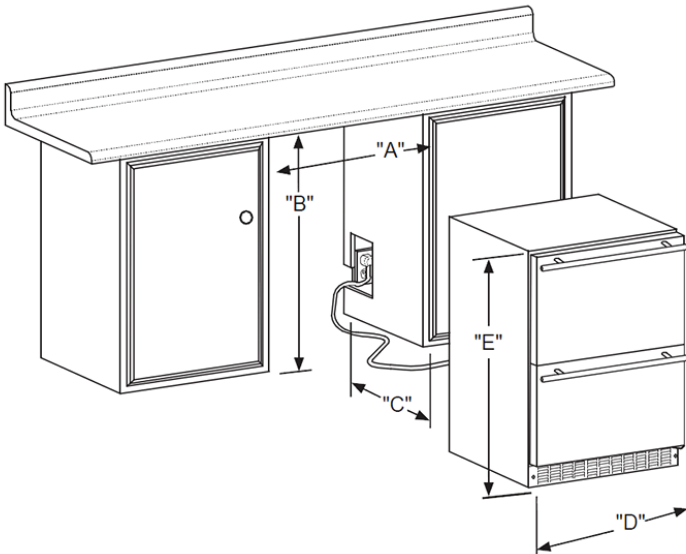
Adjustable drawer dividers

Arctic white lighting

Corrosion resistant, thermal-efficient cabinet



H: 33 3/4" W: 23 7/8" D: 26 7/32" (with handle)



Rough In Dimensions

| "A" | "B" | "C" |
|---------|--------------------|---------|
| 24" | 34-1/4" to 35-1/4" | 24" |
| (61 CM) | (87 CM to 89.5 CM) | (61 CM) |

Cabinet Dimensions

| "D" | "E" | "F" | "G" | "H" | "J" |
|-----------|----------------------|---------|-----------|------------|-----------|
| 23-7/8" | 33-5/8" TO 34-5/8" | 23-5/8" | 26-1/8" | 47-3/4" | 26-1/2" |
| (60.7 CM) | (85.4 CM TO 87.9 CM) | (60 CM) | (66.3 CM) | (146.6 CM) | (67.3 CM) |

| | |
|--------------------------|----------------------|
| Capacity | 5.0 CU. FT. |
| Control Type | Electronic |
| Sabbath Mode | Yes |
| Temperature Range | 34° F to 60° F |
| Handle Style | Professional |
| Door Swing | N/A |
| Interior Lighting | White LED |
| Shelving System | Roller-Glide Drawers |
| Toe Grille Finish | Stainless Steel |

| | |
|--------------------------------|-----------------------|
| Lock | Yes |
| Electrical Requirements | 115V / 60 Hz / 15A |
| Cord Length | 6 FT. |
| Shipping Dimensions | 28" W x 31" D x 37" H |
| Shipping Weight | 160 LBS |
| Agency Approval | UL |
| Refrigerant Type | R600a |

For comprehensive installation instructions, please visit marvelrefrigeration.com to access the owner's guide.

