

Project _____
 Item _____
 Quantity _____
 CSI Section 11400
 Approved _____
 Date _____

RFF-0320A

RFF-0320

FLAKE ICE MACHINE

Models

- RFF-0320



Model RFF-0320A
Flake Ice Machine
on D-420 Bin

Standard Features

- Up to 370 lbs. (168 kgs) daily flake ice production.
- High load maintenance free bearing for enhanced reliability.
- Service updates facilitate installation and make cleaning easier.
- Flake ice is perfect for food display, salad bar, and cold therapy/healthcare
- Ice form around object without bruising and hold object in place without tipping/spilling
- Heavy duty stainless steel cabinet resists corrosion



Specifications

Condenser Heat of Rejection (BTU per hour):

5,000 (average)

Compressor:

Nominal rating: 1/2 HP

Refrigerant:

R-404A

Operating Limits:

- Ambient Temperature Range: 50°-110°F (10°-43°C)
- Water Temperature Range: 37°-90°F (3°-32°C)
- Water Pressure Ice Maker
Water In:
Min. 14 psi (96.5 kPa)
Max. 80 psi (551.1 kPa)

Ice Machine Electric

115/60/1 standard. (230/50/1 also available.)

Minimum circuit ampacity:

12.8 amps.

Maximum fuse size:

20 amps.

HACR-type circuit breakers can be used in place of fuses.

Standard Features

Flake ice is small hard bits of ice ideally suited for presentation applications.



Ice shown actual size



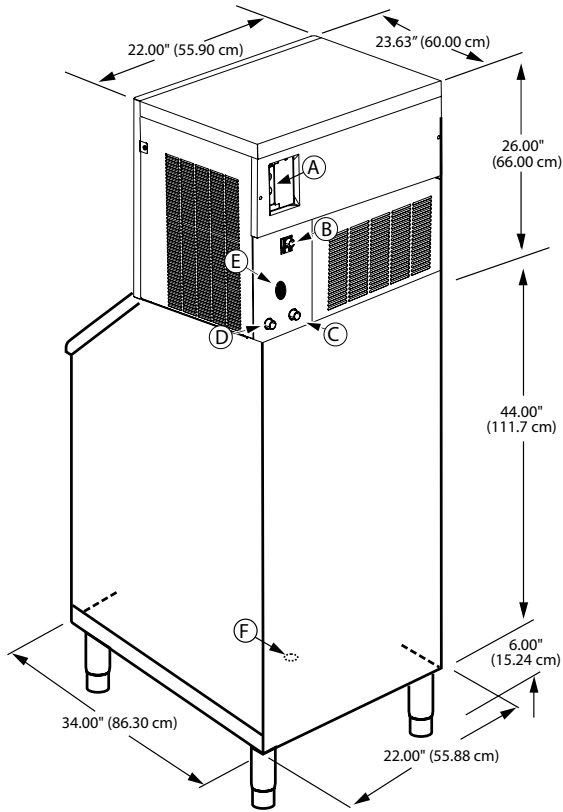
UL STD 563
CAN/CSA-C22.2 No. 120

SANITATION
NSF/ANSI STD 12





RFF-0320 on D-420



Installation Note -
 Minimum installation clearance:
 Top/sides: 8" (20.32 cm),
 Back: 5" (12.70 cm).

- Ⓐ Electrical Entrance (2) Options
- Ⓑ 3/8" F.P.T. Condenser Inlet (water-cooled only)
- Ⓒ 1/2" M.P.T. Condenser Drain (water-cooled only)
- Ⓓ 1/2" M.P.T. Ice Making Water Drain
- Ⓔ 3/8" F.P.T. Ice Making Water Inlet
- Ⓕ 3/4" Bin Drain

Ice Machine Electric



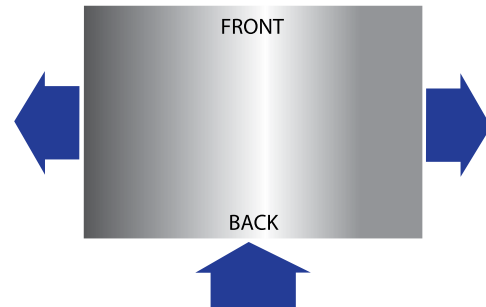
	RFF-0320 on D-420
Height	76.00"
	193.00 cm
Width	22.00"
	55.90 cm
Depth	34.00"
	86.36 cm
Bin Storage	310 lbs.
	140.7 kgs

Height includes adjustable bin legs 6.00" to 7.00", (15.24 to 17.78 cm) set at 6.00" (15.24 cm).

Ice Machine Electric

K-00443 30" D Style Bin Adapter

Air Flow Overhead View



K-00365 30" B Style Bin Adapter

RFF-0320A

Air-Cooled Ice Machine	Model	Ice Shape	Ice Production 24 Hours		Power kWh/100 lbs @ 90°Air/70°F	Potable Water Usage (100 lbs./45.4 kgs of Ice)
			70° Air/50°F Water 21° Air/10° C Water	90° Air/70°F Water 32° Air/21° C Water		
			RFF-0320A	Flake		

Welbilt reserves the right to make changes to the design or specifications without prior notice.