



# CNF0201 • CNF0202 Countertop Nugget Ice Maker & Dispenser

## Models

- CNF0201AL    CNF0201A    CNF0202AL    CNF0202A

Three dispense settings are standard: ice only, water only, or ice and water.



CNF0202

CNF0201

- **New bite-sized nugget** boasts 85% ice content\* with only 15% water offering one of the best nugget ratios for maximum cooling and minimal drink dilution.
- **Up to 315 lbs. (143 kgs) standard daily ice production** including ice and water content.
- **New DuraTech™ front panel** for easy cleaning and reduced hardwater staining in the dispense area.
- **Only 16.25" (41.28 cm) wide** by 24.00" (61.00 cm) deep by 35.00" (89.00 cm) tall on the RNS12 and 42.00" (107.00 cm) tall without legs; legs sold separately.
- **Trouble-free ice dispensing.** Simply place cup under chute and activate.
- **Two ice activation options:** activation arm or touchless.
- Dispense opening (10.50"/ 26.67 cm) from grate to chute maximizes clearance for tall containers.
- Larger drain pan minimizes ice spillage.
- Blue LED light provides dispense visibility for rooms with limited ambient light.
- Water and drain connections in back or bottom of unit for flush mounting.
- Manitowoc's patented cleaning technology manages the cleaning process from start to finish.

\*70/50° F

## Ice Machine Electric

115/60/1. (230/50/1 also available.) 115/60/1 ice machines are factory pre-wired with a 6' (180 cm) power cord and NEMA 5-15P-plug configuration. 230/50/1 ice machines are factory pre-wired with a 6' (180 cm) power cord only, no plug is supplied. Total ampacity: Air-cooled: 10.3 amps. Maximum fuse size: Air-cooled: 15 amps. HACR-type circuit breakers can be used in place of fuses.



## Specifications

BTU Per Hour: 2,300 (average)  
Compressor: Nominal rating: 1/3 HP  
Refrigerant: R404A

Operating Limits:

- Ambient Temperature Range: 45°-110°F (7.2°-43.3°C)
- Water Temperature Range: 45°-90°F (7.2°-32°C)
- Water Pressure Ice Maker Water In: Min. 20 psi (137.9 kPa) Max. 80 psi (551.1 kPa)

## Ice Shape

Nugget ice consists of small pieces ranging from 3/8" to 1/2" in width and length on average. Offers a 85% ice to water ratio with a softer, chewable texture while still providing maximum cooling effect and great dispensibility.





CNF0201 • CNF0202 Countertop Nugget Ice Maker & Dispenser

Model	Ice Shape	Ice Production 24 Hours		Power kWh/ 100 lbs. @ 90°/70°F 32°/21°C
		70°Air/50°F Water 21°Air/10°C Water	90°Air/70°F Water 32°Air/21°C Water	
CNF0201A	nugget	315 lbs.	222 lbs.	6.69
		143 kgs	101 kgs	
CNF0202A	nugget	315 lbs.	222 lbs.	6.69
		143 kgs	101 kgs	
Water usage/100 lbs./45.4 kgs of ice				
Potable Water: 12 gallons, 45.4 liters				

\*"A" following model number indicates "Air" condensing unit.

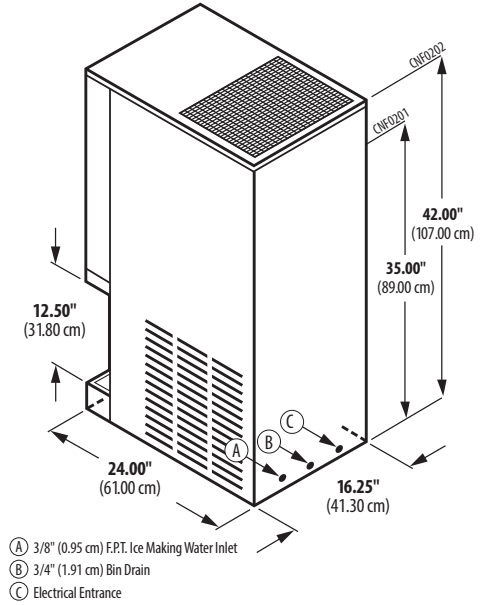
Space-Saving Designs



	CNF0201	CNF0202
Height*	35.00" 89.00 cm	42.00" 107.00 cm
Width	16.25" 41.30 cm	16.25" 41.30 cm
Depth	24.00" 61.00 cm	24.00" 61.00 cm
Bin Storage	10 lbs. 4.5 kgs	20 lbs. 9.1 kgs

\*Height without legs. Legs sold separately: K-00345.

CNF0201/202



- (A) 3/8" (0.95 cm) F.P.T. Ice Making Water Inlet
- (B) 3/4" (1.91 cm) Bin Drain
- (C) Electrical Entrance

**MINIMUM INSTALLATION CLEARANCE –**  
Top: 24" (60.96 cm); Sides: 8" (20.32 cm); Back: 5" (12.7 cm);  
Bottom: 0" (0 cm).

Stand offers a solution when there is no counter space available for an CNF0201 or 202 unit.

Kit Number	W x D x H	Shipping Weight
K-00453	22.2 x 29.2 x 36"	100 lbs
	56.4 x 74.2 x 76.2 cm	50 kgs

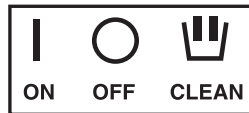
\*Height includes 6" legs



Air Flow Front View

Air in right, air out top.

Front Access



Initiate ice, off and clean operations with simple upfront selector switch. No need to remove front panel.

Lever-activated or Touchless Dispensing\*



CNF0201L  
CNF0202L



CNF0201  
CNF0202

\*Select at time of purchase. K-00377 can be used to convert from lever-activated to touchless sensing.