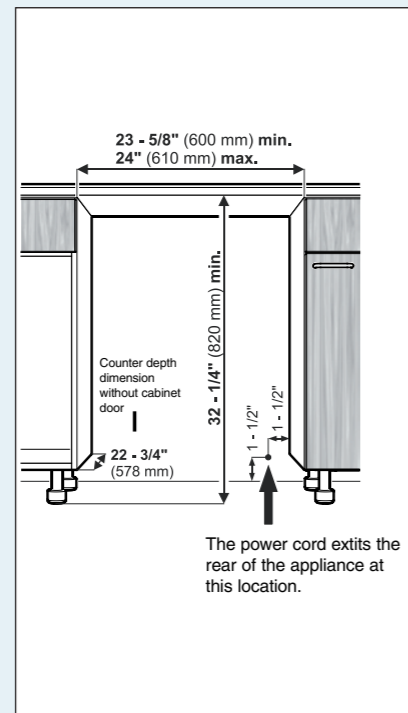
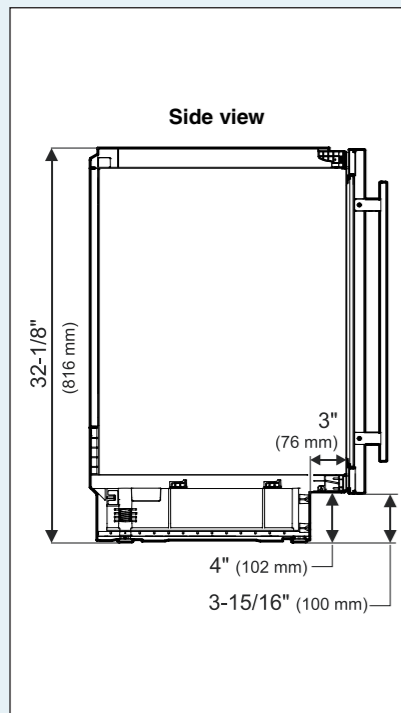


Diagrams

◀24▶

Appliance and Cabinet Dimensions



Height when adjustable feet have been screwed in as far as they will go.

Delivery status = feet approx. 1/8" unscrewed.

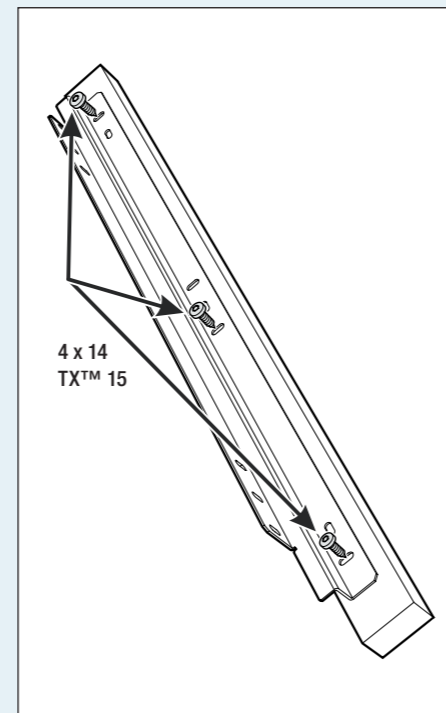
Maximum height adjustment = 2" (51 mm) to allow for a 6" (153 mm) toe kick.

Free length of the power cord = 78 - 3/4 inch (2000 mm)

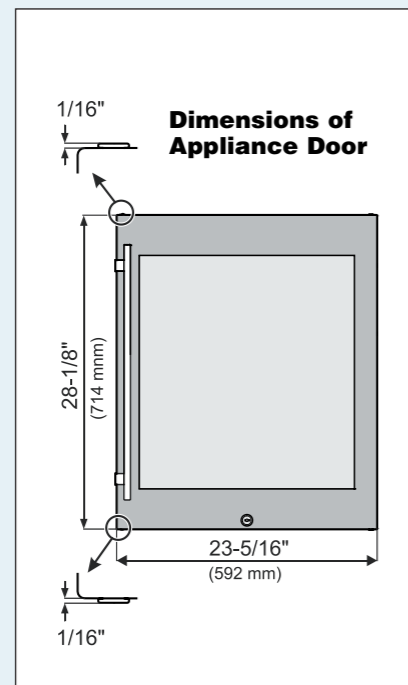
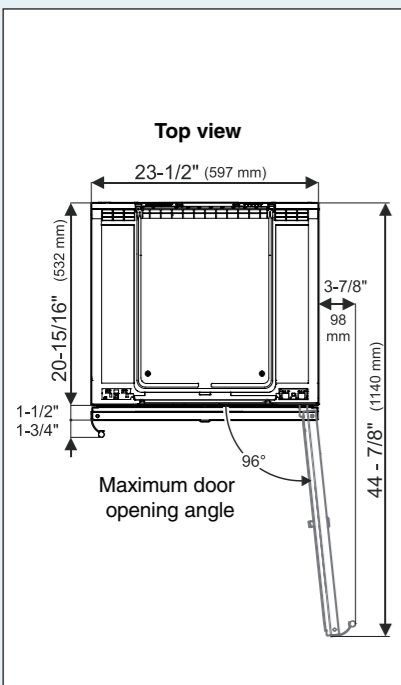
IMPORTANT

The electrical outlet must not be situated behind the appliance and must be easily accessible.

Mounting the panel onto the angle bracket



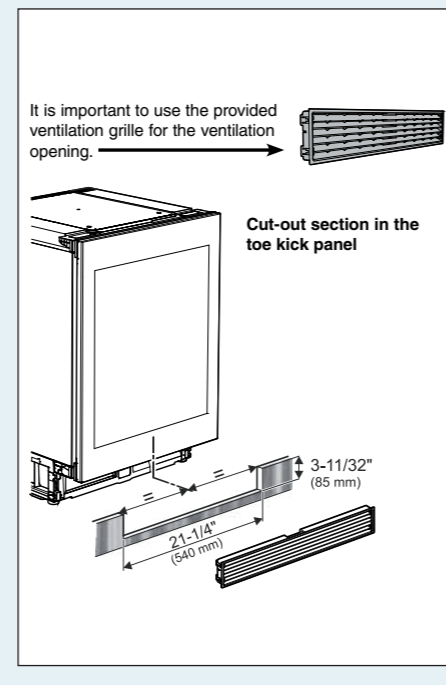
Mount the panel onto the angle bracket using three 4 x 14 screws.



IMPORTANT

The floor on which the appliance stands must be horizontal and level. The kitchen units must be aligned horizontally and vertically.

Appliance Venting



IMPORTANT

The cut-out section in the toe kick panel must be centered in relation to the appliance and in the uppermost part of the toe kick.



Liebherr WU 4500

Wine Cabinet



LIEBHERR

Quality, Design and Innovation

Wine Cabinet

◀24"▶

The **WU 4500** wine storage cabinet is ideal for storing wines for long periods of time, allowing them to mature to perfection. Depending on what temperature the appliance is set at, it can also be used for keeping white or red wine at exactly the right temperature for serving. This unit is the smart undercounter solution that allows you to store wine at a temperature level between +41°F (+5°C) and +68°F (+20°C). With a constant supply of fresh air via an activated charcoal filter and continuously circulating air cooling, this appliance guarantees consistently high air quality during the maturing process. A specially developed compressor ensures that the wines are stored vibration free. Since the wine cabinet ventilates through the toe kick, no counter slots are necessary and the cabinet can be integrated easily and elegantly into your customized kitchen. This sophisticated unit also boasts a digital temperature display conveniently located at the top of the cabinet with visibility through the elegant glass door.



Wine Cabinet

Capacity

Total capacity cu.ft. (l)
Max. No. of Bordeaux btls 0.75 l

Shipping weight lbs. (kg)

Climate rating

Sound rating dB(A)

Door hinges

Outside dimensions

in inches (cm) H/W/D

Cut out dimensions

in inches (cm) H /W/D

Energy supply

Voltage V/Hz

ADA compliant

WU 4500 GrandCru

Wine

LED

Telescopic Rails

3.9 (110)

46

116.8 (53)

SN-ST

39**

right, reversible

32 1/4"/23 9/16"/22 3/4" (81.8/59.7/57.7)

32-5/16"-34-5/16"/23-5/8"/22-7/8" (82-87/60/58)

115/60

Yes

* Energy Cost will depend on utility rates and use. Estimated energy cost based on a national average electricity cost of 12 cents per kWh.

** Noise output – according to EN 60704-3

Features

◀24"▶



German Engineering: Our superior products offer premium quality, cutting edge design and innovative features that fit your busy lifestyle. Exclusive components and materials, along with the latest production processes, ensure energy efficiency and performance for years to come.



Beech wood Shelving: Solid beech wood shelves on telescopic rails for easy wine access.



Integrated Lock: A sturdy lock protects your fine wine collection.



Electronic LCD display: Intuitive navigation of touch electronic control system enables tailored storage options. The digital temperature display can be viewed via the UV tinted glass door.



FreshAir Activated Charcoal Filter: Liebherr wine cabinets are fitted with easy-to-replace FreshAir activated charcoal filters to ensure clean air. Odors are filtered out and the quality of the wine is protected.



Alarm System: Liebherr Wine units are equipped with a trustworthy alarm system to alert the homeowner if the door has been left open or the temperature has been compromised.



LED Lighting: The energy efficient LED ceiling light not only emits virtually no heat, but it is dimmable to cast a cool glow to give a pleasing ambient light inside the appliance as well as the room.



UV Protection: In order to minimize the exposure of light which can damage the maturity of a wine, Liebherr wine cabinets are fitted with special UV-resistant insulated glass; simultaneously protecting and presenting your wine.



Compressors: Specially developed compressors installed in the wine cabinets from Liebherr ensure that the wines are stored in a particularly low vibration environment.

