

# DLE7150W / DLG7151W

## 7.3 cu.ft. Rear Control Top Load Dryer

**7.3 cu. ft. Ultra Large Capacity**

**Sensor Dry**

**FlowSense™ Duct Clogging & Lint Filter Indicators**

**ENERGY STAR® Certified**

**Aluminized Alloy Steel Drum**

**LoDecibel™ Quiet Operation**

**SmartDiagnosis™**

**Wrinkle Care Option**



### AVAILABLE COLORS



WHITE



SUMMARY	
Capacity	7.3 cu ft
Matching Washer	WT7150CW
Sensor Dry	Yes
Color	White (W)
APPEARANCE	
Intelligent Electronic Controls with LED Display	Yes
Dial-A-Cycle™	Yes
DRYER PROGRAMS	
No. of Programs	8
Programs (Sensor Dry)	Cotton/Normal, Perm Press/Casual, Heavy Duty, Bulky/Bedding, Delicates, Speed Dry (Manual Dry), Air Dry (Manual Dry), Freshen Up (Manual Dry)
DRYER OPTIONS	
No. of Options	7
Options	Wrinkle Care, Control Lock, More Time, Less Time, Damp Dry Signal, Energy Saver, Signal
DRYER DETAILS	
Temperature Settings	3
Drying Levels	3
Manual Dry Times	60, 40, 20 min, More-Less
FABRIC CARE FEATURES	
Sensor Dry	Yes
Precise Temperature Control with Variable Heater	Yes
CONVENIENCE FEATURES	

SmartDiagnosis™	Yes
3 Minute Installation Check	Yes
LoDecibel™ Quiet Operation	Yes
End of Cycle Signal	Yes
Reversible Door	Yes
FlowSense™ Duct Clogging Indicator	Yes
Wrinkle Care Option	Yes
Child Lock	Yes
Venting Option	4 Way Venting (Electric) 3 Way Venting (Gas)
4 Adjustable Legs	Yes
Remaining Time Display/Status Indicator(s)	Yes

ENERGY	
ENERGY STAR® Qualified	Yes
MATERIALS AND FINISHES	
Aluminized Alloy Steel Drum	Yes
Tub Rear	Painted
Cabinet	Painted Steel
Door / Trim	Solid / White
All Available Colors	White (W)
POWER SOURCE	
Ratings	CSA Listed
Electrical Requirements / Type	Electric: 240V 30 Amps Gas: 120V, 15 Amps
BTU	20,000 Feet
OPTIONS	

LP Conversion Kit	383EEL3002D / LPK1
Side Venting Kit	383EEL9001B

DIMENSIONS	
Product (WxHxD)	27" x 44 1/4" x 29 1/2" (50 1/4" D with door open)
Carton (WxHxD)	29 1/2" x 48" x 31 1/4"
Weight (Product/Carton) Electric	129.8 / 149.6 lbs.
Weight (Product)	127.7 lbs. (Electric) 131.2 lbs. (Gas)
Weight (Carton)	140 lbs. (Electric) 143.5 lbs. (Gas)

WARRANTY	
Parts & Labor	1 Year

UPC CODES	
WT7150CW (White)	048231028431
DLE7150W (White)	048231028448
DLG7151W (White)	048231028455

**LG LAUNDRY**
**WT7155CW**

 4.8 cu. ft. Top Load Washer with 4-Way™  
 Agitator & TurboDrum™ Technology

4.8 cu. ft. Mega Capacity  
 4-Way™ Agitator  
 TurboDrum™ Technology  
 6Motion™ Technology  
 SmartDiagnosis™  
 Deep Fill Option  
 ColdWash™ Technology  
 NeveRust™ Stainless Steel Tub  
 Direct Drive Motor 10-Year Limited Warranty  
 ENERGY STAR® Certified



## AVAILABLE COLORS



SUMMARY		WASH OPTIONS		MOTOR AND AGITATOR	
Type	Top Load Washer	No. of Options	9	Motor Type	Inverter Direct Drive Motor
Capacity (cu.ft.)	4.8 cu. ft.	Options	ColdWash™, Signal, Delay Wash, Rinse+Spin, Deep Fill, Max, Extra Rinse, Control Lock, Spin Only	Max RPM	800
Matching Electric Dryer	DLE7150W	No. of Wash/Rinse Temps	3	Axis	Vertical
Matching Gas Dryer	DLG7151W	Wash/Rinse Temps	Hot, Warm, Cold	<b>MATERIALS AND FINISHES</b>	
Color	White (W)	No. of Spin Speeds	3	NeveRust™ Stainless Steel Drum	Yes
<b>IMPELLER/Agitator</b>		Spin Speeds	High, Medium, Low	Cabinet	Painted Steel
Agitator	Yes	No. of Water Levels	Load Sensing	All Available Colors	White (W)
<b>APPEARANCE</b>		No. of Soil Levels	3	Lid	White - Transparent Glass
Intelligent Electronic Controls with Dual LED Display	Yes	<b>FABRIC CARE FEATURES</b>		<b>POWER SOURCE</b>	
Touch Buttons	Yes	ColdWash™ Option	Yes	Ratings	CSA Listed
Electronic Control Panel with LED Display	Yes	<b>CONVENIENCE FEATURES</b>		Electrical Requirements	120V @ 60Hz.
Dial-A-Cycle™	Yes	SlamProof™ Lid	Yes	<b>DIMENSIONS</b>	
<b>ENERGY</b>		TrueBalance™ Anti-Vibration System	Yes	Product (WxHxD)	27" x 44 1/2" x 28 3/8" (57 1/5" H with lid open)
IMEF	1.57	SmartDiagnosis™	Yes	Carton (WxHxD)	29 19/32" x 46 3/8" x 31 3/8"
IWF	6.5	3-Tray Dispenser	Yes	Weight (Product)	127.9 lbs
<b>WASH PROGRAMS</b>		LoadSense	Yes	Weight (Carton)	147 lbs
No. of Programs	8	Status Indicator(s)	Yes	<b>LIMITED WARRANTY</b>	
Wash Programs	Normal, Heavy Duty, Deep Wash, Waterproof, Bedding, Delicates, Speed Wash, Tub Clean	End of Cycle Signal	Yes	Parts and Labor	1 Year
		Control Lock	Yes	Direct Drive Motor	10 Years
		Auto Suds Removal	Yes	Drum	3 Years
		Forced Drain System	Yes	<b>UPC CODES</b>	
		Add Garment Indicator	Yes	WT7155CW (White)	195174026700
		Leveling Legs	Yes	DLE7150W (White)	048231028448
				DLG7151W (White)	048231028455

## LG LAUNDRY

# WT7155CW

4.8 cu. ft. Top Load Washer with 4-Way™  
 Agitator & TurboDrum™ Technology

## QUICK INSTALL & CLEARANCES

For full installation directions/clearances please refer to the corresponding User Manual and Installation Guide.

### DIMENSIONS/CLEARANCES/WEIGHTS

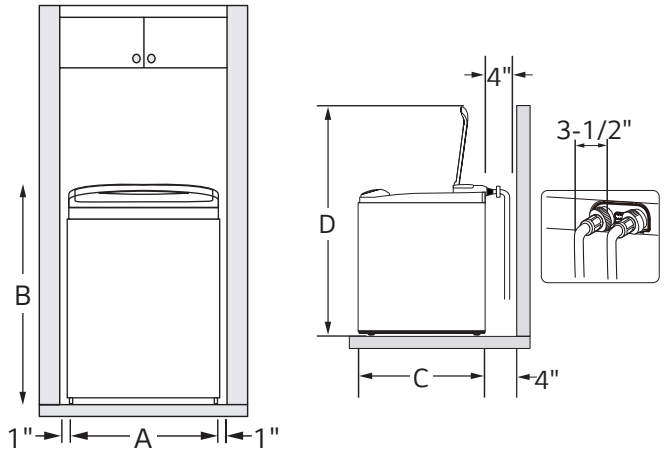
A Width	27"
B Height	44 1/2"
C Depth	28 3/8"
D Height with lid open	57 1/5"
Carton Dimensions (WxHxD)	29 19/32" x 46 3/8" x 31 3/8"
<b>ENERGY / RATINGS</b>	
IMEF	1.57
IWF	6.5
Ratings	CSA Listed
Electrical Requirements	120V @ 60Hz.

### ELECTRICAL REQUIREMENTS

- The washer should be plugged into a 120-VAC, 60-Hz grounded 3-prong outlet. Plug in the washer. Improper connection of the equipment-grounding conductor can result in risk of electric shock. Check with a qualified electrician or service technician if you are in doubt as to whether the appliance is properly grounded. Do not modify the plug provided with the appliance. If it does not fit the outlet, have a proper outlet installed by a qualified electrician. Failure to follow these warnings can cause serious injury, fire, electrical shock, or death.
- The power outlet must be within 60 inches (1.5 m) of either side of the washer.
- The appliance and outlet must be positioned so that the plug is easily accessible.
- Do not overload the outlet with more than one appliance.
- The outlet must be grounded in accordance with current wiring codes and regulations.
- Time-delay fuse or circuit breaker is recommended.
- It is the personal responsibility and obligation of the product owner to have a proper outlet installed by a qualified electrician.



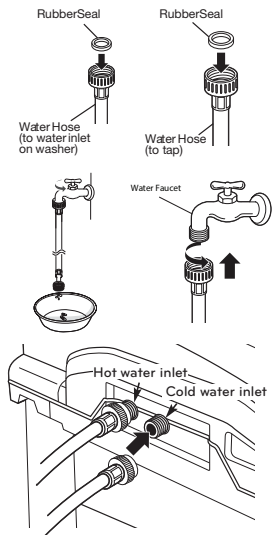
### DIMENSIONS AND CLEARANCES



- To ensure sufficient clearance for water lines and airflow, allow minimum clearances of at least 1 in. (2.5 cm) at the sides and 4 in. (10 cm) behind the unit. Be sure to allow for wall, door, or floor moldings that may increase the required clearances.

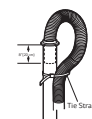
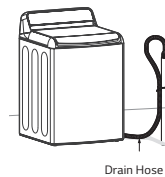
### CONNECTING THE WATER LINES

- LG recommends the use of LG hoses. Any leaking, property damage, or damage to the washing machine caused by an improper installation or by the use of non-LG hoses is not covered under the terms of the LG warranty and is the sole responsibility of the customer and/or an installer.
- Water supply pressure must be between 20 psi and 120 psi (138-827 kPa). If the water supply pressure is more than 120 psi, a pressure reducing valve must be installed.
- Inspect the threaded fitting on each hose and make sure there is a rubber seal in place in both ends of each hose.
- Connect the water supply hoses to the HOT and COLD water faucets tightly by hand and then tighten another 2/3 turn with pliers.
- Always run a gallon or two of water through each inlet hose to flush dirt, scale and other debris out of the water lines. Doing so will help prevent future problems with clogged filter screens, and will also allow you to verify which water line is hot and which is cold.
- Attach the hot water line to the hot water inlet on the back of the washer. Attach the cold water line to the cold water inlet on the back of the washer. Tighten the fittings securely. Turn ON both faucets all the way and check for leaks at both ends of the hoses.



### CONNECTING THE DRAIN HOSE

- The drain hose should always be properly secured. Failure to properly secure the drain hose can result in flooding and property damage.
- The drain must be installed in accordance with any applicable local codes and regulations.
- Make sure that the drain hose is not stretched, pinched, crushed, or kinked.
- Normal height of the end of the hose should be approximately 35"-47" (0.9-1.2 m) from the floor.
- Do not install the end of the drain hose lower than 29 in. (73.7 cm) or higher than 96 in. (243.8 cm) above the bottom of the washer or more than 60 in. (152.4 cm) away from the washer.
- Never create an airtight seal between the hose and the drain with tape or other means. If no air gap is present, water can be siphoned out of the tub resulting in poor wash/rinse performance or clothing damage.



- STANDPIPE Option**
- Do not insert the end of the drain hose into the standpipe more than 8 inches (20cm). **Doing so can cause siphoning, odors, or improper draining.**

### LAUNDRY TUB Option

- Do not use this drain hose with a floor drain. The end of the drain hose must be at least 29 inches above the floor for proper draining to occur.