

Job Name/Location:

Tag #:

Date:

For: File Resubmit
 Approval Other _____

PO No.:

Architect:

GC:

Engr:

Mech:

Rep:

(Company)

(Project Manager)



Packaged Terminal Air Conditioners (PTAC)
 208 - 230V Heating & Cooling Models



SPECIFICATIONS		Unit	LP073CDUC		LP093CDUC		LP123CDUC		LP153CDUC	
Power Supply	V/Hz/Φ		208/60/1	230/60/1	208/60/1	230/60/1	208/60/1	230/60/1	208/60/1	230/60/1
Operating Range: Heating/Cooling	°F		-4-75 / 54-115		-4-75 / 54-115		-4-75 / 54-115		-4-75 / 54-115	
Cooling Capacity	Btu/h		7,100	7,300	9,300	9,500	12,000	12,200	14,900	15,100
Heating Capacity	Btu/h		-	-	-	-	-	-	-	-
Electric Heater Capacity	with 15A cord	Btu/h (kW)	7,800 (2.3)	8,100 (2.4)	7,800 (2.3)	8,100 (2.4)	7,800 (2.3)	8,100 (2.4)	7,800 (2.3)	8,100 (2.4)
	with 20A cord	Btu/h (kW)	10,900 (3.2)	11,200 (3.3)	10,900 (3.2)	11,200 (3.3)	10,900 (3.2)	11,200 (3.3)	10,900 (3.2)	11,200 (3.3)
	with 30A cord	Btu/h (kW)	15,700 (4.6)	16,000 (4.7)	15,700 (4.6)	16,000 (4.7)	15,700 (4.6)	16,000 (4.7)	15,700 (4.6)	16,000 (4.7)
EER	Btu/h.W		13.3		12.7		11.9		11.2	
COP	W/W		-		-		-		-	
Weight: Net/Shipping	lbs		95/109		95/109		99/113		115/129	
Dimensions: W x H x D	in		42 x 16 x 21		42 x 16 x 21		42 x 16 x 21		42 x 16 x 21	
Sound Pressure Max: IDU/ODU	dB(A)		45/61		46/61		50/63		51/64	
Indoor Air Circulation Max	CFM		270		270		420		420	
Outside Air Intake (Manual Damper)	CFM		50		60		70		70	
Dehumidification	pts/hr		1.7		2.6		3.0		4.3	

ELECTRICAL		Unit	LP073CDUC		LP093CDUC		LP123CDUC		LP153CDUC	
Power Supply	V/Hz/Φ		208/60/1	230/60/1	208/60/1	230/60/1	208/60/1	230/60/1	208/60/1	230/60/1
MCA	with 15A cord	A	14.5	13.6	14.5	13.6	14.5	13.6	14.5	13.6
	with 20A cord	A	19.8	18.6	19.8	18.6	19.8	18.6	19.8	18.6
	with 30A cord	A	28.3	26.2	28.3	26.2	28.3	26.2	28.3	26.2
MOP	with 15A cord	A	15		15		15		15	
	with 20A cord	A	20		20		20		20	
	with 30A cord	A	30		30		30		30	
Cooling Rated Amps	A	2.7	2.5	3.7	3.4	5.1	4.7	6.6	6.1	
Heating Rated Amps	A	-	-	-	-	-	-	-	-	
Cooling Power Input	W	535	550	730	745	1,005	1,025	1,330	1,345	
Heating Power input	W	-	-	-	-	-	-	-	-	

- 1: EER - Energy Efficiency Ratio
- 2: COP - Coefficient of Performance
- 3: IDU - Indoor Unit
- 4: ODU - Outdoor Unit
- 5: MOP - Maximum Overcurrent Protection
- 6: MCA - Minimum Circuit Ampacity

Standard Features:

- Auto restart
- Digital control display
- Dip switch setting for temperature limiting
- Energy saver mode
- Freeze room protection
- GoldFin™ anti-corrosion treatment for condenser
- High energy efficiency
- Temperature display on unit
- Ultra-quiet operation

Required Accessories:

•Choose one of these three power cords to select heating capacity for 208-230V units:

- AYUH2115 - 15A - 2.3/2.4 kW
- AYUH2120 - 20A - 3.2/3.3 kW
- AYUH2130 - 30A - 4.6/4.7 kW

Optional Accessories:

•See page 3

Job Name/Location:

Packaged Terminal Air Conditioners (PTAC) 208 - 230V Heating & Cooling Models

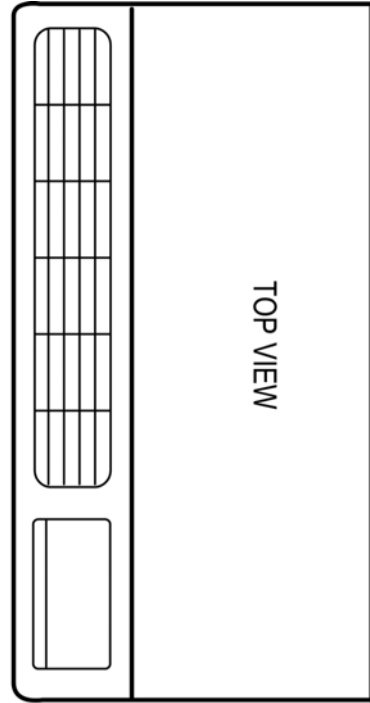
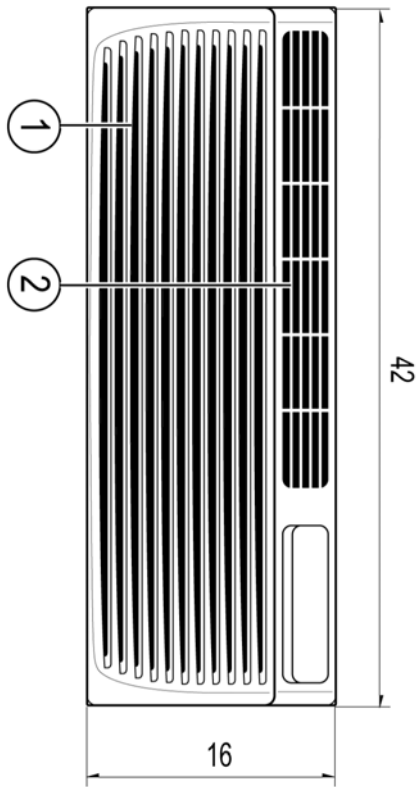


Tag #:

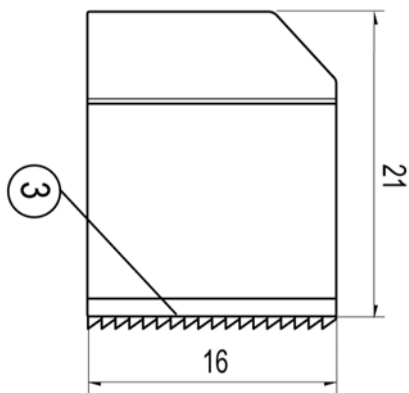
Date:

PO No.:

Unit: Inch



Item No.	Part name	Remark
1	Inlet Grille	
2	Vertical Air Deflector	
3	Architectural Grille	



Notes:

1. The unit should not be installed in a closed area.
2. In an area or space having no proper circulation, an air guide should be installed on the outdoor side.

Job Name/Location:

Packaged Terminal Air Conditioners (PTAC)

208 - 230V Heating & Cooling Models



Tag #:

Date:

PO No.:



AYWH110



PYRCUCA0B / PYRCUCC1HB

OPTIONAL ACCESSORIES:

TYPE	MODEL#	NAME
Control	<input type="checkbox"/> AYWH110	Wired Wall Thermostat Connection Kit (1 included with every PTAC)
	<input type="checkbox"/> PYRCUCA0B	Digital Wired Wall Thermostat
	<input type="checkbox"/> PYRCUCC1HB	Digital Wireless Wall Thermostat



AYAD101



AYCP101



AYFT110



AYLD1A



AYLL101A



AYRE110



AYSB1101A/AYSB2101A
AYSB3101A
AYSB5101/AYSB6101

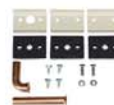
TYPE	MODEL#	NAME
Indoor	<input type="checkbox"/> AYAD101	Air Deflector
	<input type="checkbox"/> AYCP101	Control Panel Key Lock
	<input type="checkbox"/> AYFT110	Replacement Filters (10-pack)
	<input type="checkbox"/> AYLD1A	Lateral Duct Kit
	<input type="checkbox"/> AYLL101A	Leveling Legs (set of 2)
	<input type="checkbox"/> AYRE110	Remote Escutcheon Kit (10-Pack)
	<input type="checkbox"/> AYSB1101A	Sub Base (208/230V, 20A)
	<input type="checkbox"/> AYSB2101A	Sub Base (208/230V, 30A)
	<input type="checkbox"/> AYSB5101	Protective Sub Base Panel
<input type="checkbox"/> AYSB6101	Non-electrical Sub Base	



AYAGALA01A/AYAGALB01A/AYAGALC01A



AYAGPLB01/AYAGPLC01/AYAGPLD01



AYDR101A



AYFDSV01A



AYRGALA01



AYSVB01A

TYPE	MODEL#	NAME
Outdoor	<input type="checkbox"/> AYAGALA01A	Aluminum Architectural Grille
	<input type="checkbox"/> AYAGALB01A	Dark Bronze Color Architectural Grille
	<input type="checkbox"/> AYAGALC01A	Soft Dove Color Architectural Grille
	<input type="checkbox"/> AYAGPLB01	Dark Bronze Color Polymer Grille
	<input type="checkbox"/> AYAGPLC01	Soft Dove Color Polymer Grille
	<input type="checkbox"/> AYAGPLD01	White Color Polymer Grille
	<input type="checkbox"/> AYDR101A	Condensate Drain Kit
	<input type="checkbox"/> AYFDSV01A	Four-piece Insulated Snap Together Wall Sleeve
	<input type="checkbox"/> AYRGALA01	42" Stamped Aluminum Grille
<input type="checkbox"/> AYSVB01A	42" One Piece Insulated Wall Sleeve	



AYUH2115



AYUH2120



AYUH2130

REQUIRED ACCESSORY FOR 208-230V PTAC (choose one power cord):

TYPE	MODEL#	NAME
Power Cord	<input type="checkbox"/> AYUH2115	15 Amp electrical cord and plug for 208V/230V PTAC models that have universal heater (2.3/2.4 kW)
	<input type="checkbox"/> AYUH2120	20 Amp electrical cord and plug for 208V/230V PTAC models that have universal heater (3.2/3.3 kW)
	<input type="checkbox"/> AYUH2130	30 Amp electrical cord and plug for 208V/230V PTAC models that have universal heater (4.6/4.7 kW)