

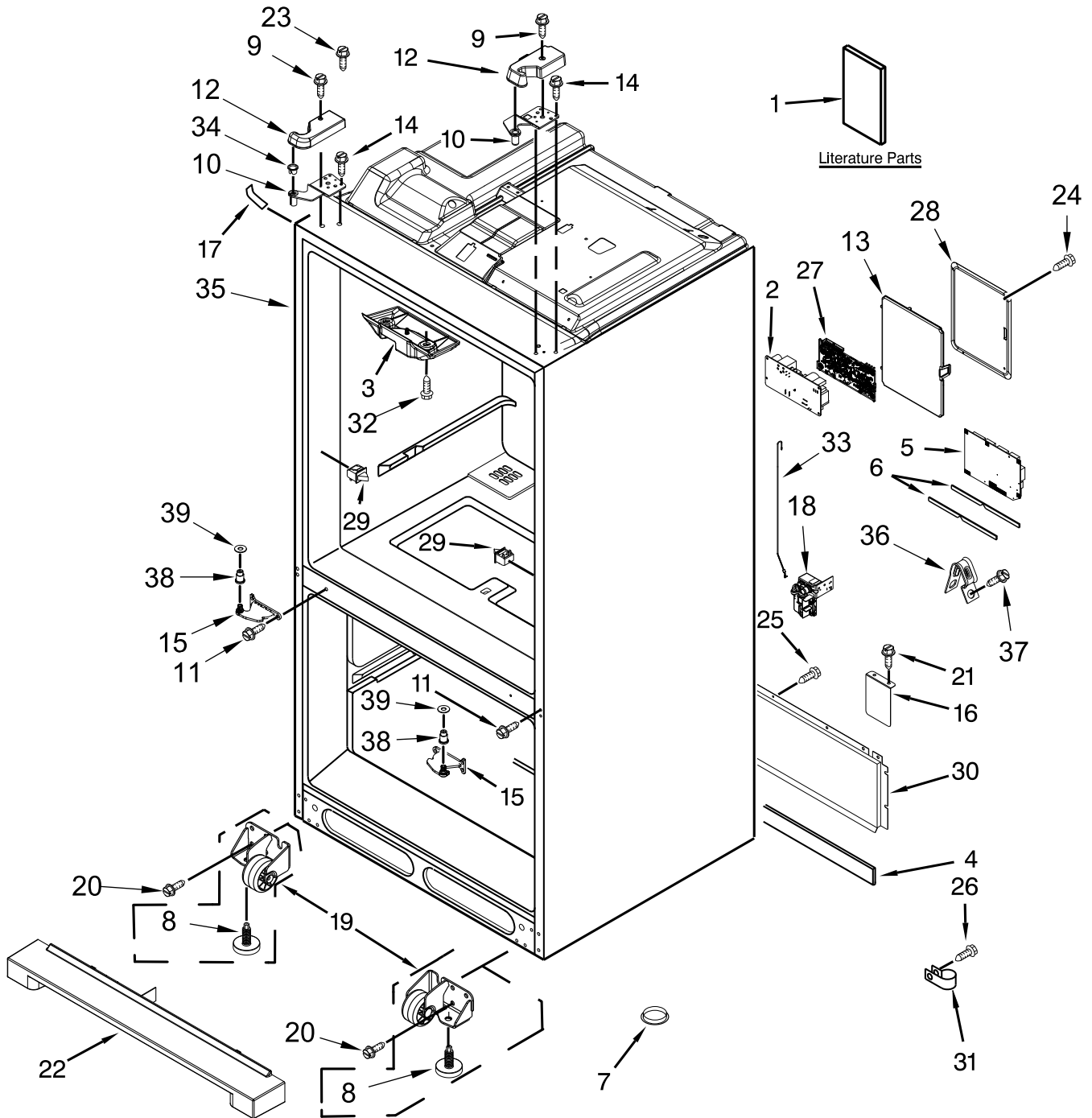
**KitchenAid®**

**FRENCH DOOR BOTTOM MOUNT REFRIGERATOR**

**MODELS:**

KRMF706EBS01 (Black Stainless)  
KRMF706ESS01 (Stainless Steel)

# CABINET PARTS



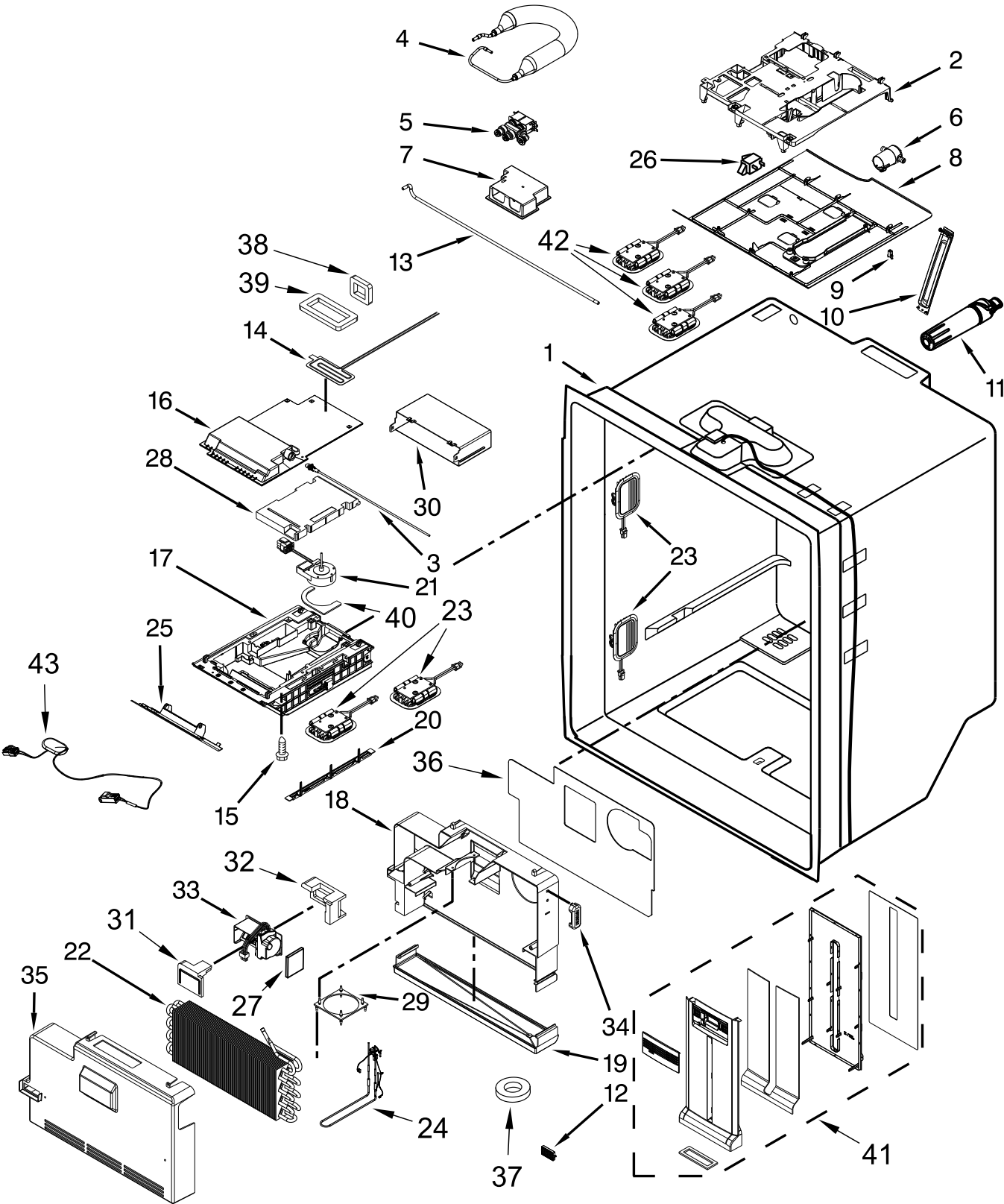
# CABINET PARTS

<u>Illus. No.</u>	<u>Part No.</u>	<u>Description</u>
1		Literature Parts Tech Sheet
	W10844356	English
	W10844357	French
	W10730912	Owners Manual
	W10811660	Energy Guide
2	W10624574	Supply, Power
3	W10734555	Block, Pivot
4	W10505487	Gasket
5	W10811365	Board, Control
6	W10415341	Gasket, HV Box
7		Plug, Button
	A3076901	Black
8	W10141622	Brake, Roller
9	12992602	Screw
10		Hinge, Top
	W10691543	Left Hand
	W10691546	Right Hand
11	W10673840	Screw (Stainless)

<u>Illus. No.</u>	<u>Part No.</u>	<u>Description</u>
12		Cover, Top Hinge Left Hand
	W10781438	Black
	W10781436	Grey
		Right Hand
	W10709867	Black
	W10709866	Grey
13	W10277839	Lid, HV
14	W10731474	Screw
15		Hinge, Center Left Hand
	W10691674	Black
	W10691675	Grey
		Right Hand
	W10691700	Black
	W10691701	Grey
16	W10336736	Cover, Roller
17		Cover, Corner
	12587703AP	Grey
18	W10394076	Valve, Water
19		Assembly, Roller
	W10515763	Left Hand
	W10515762	Right Hand
20	W10709365	Screw

<u>Illus. No.</u>	<u>Part No.</u>	<u>Description</u>
21	12990701	Screw
22		Grille, Toe
	W10707422	Black
	W10707958	Grey
23	12992601	Screw
24	12990702	Screw
25	W10141645	Screw
26	12990511	Screw
27	W10788814	Supply, LED Power
28	W10754591	Cover, Control Box
29	W10565413	Switch, Light
30	W10577369	Cover, Unit
31	M0108107	Clamp, Tube
32	12990302	Screw
33	W10678711	Tube, Water
34	W10705239	Retainer, Door
35		Cabinet (Not a Servicable Part)
36	549193	Clamp, Power Cord
37	W10141645	Screw
38	W10732518	Bushing
39	W10737410	Washer

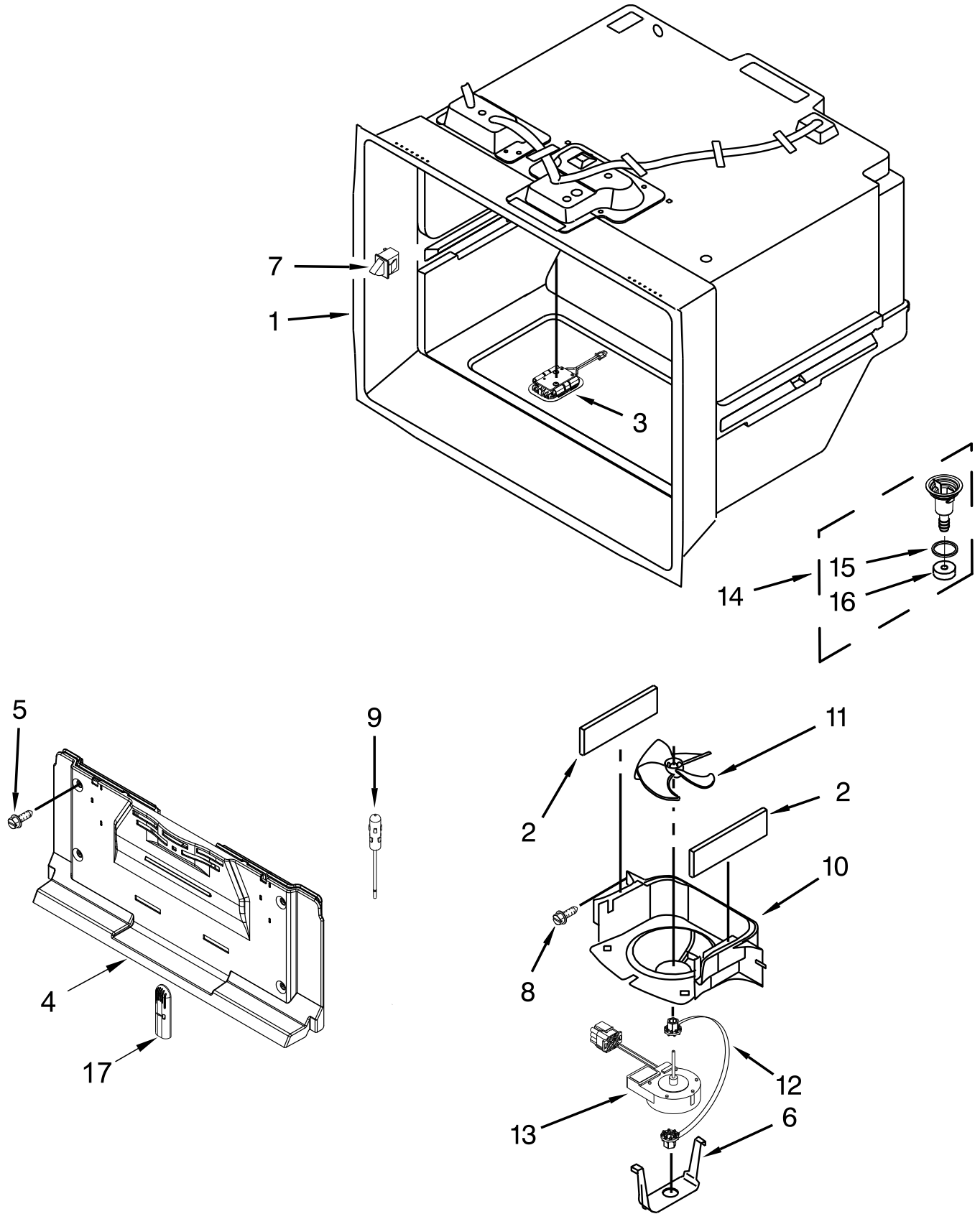
# REFRIGERATOR LINER PARTS



# REFRIGERATOR LINER PARTS

<u>Illus.</u> <u>No.</u>	<u>Part No.</u>	<u>Description</u>	<u>Illus.</u> <u>No.</u>	<u>Part No.</u>	<u>Description</u>	<u>Illus.</u> <u>No.</u>	<u>Part No.</u>	<u>Description</u>
1		Liner (Not A Serviceable Part)	17	W10811681	Assembly, Icebox (Foamed)	32	W10503492	Support, Damper
2	W10705147	Housing, Water System	18	W10503486	Enclosure, Evaporator	33	W10248595	Damper, Electronic Control
3	W10736144	Tube, Fill	19	W10525237	Pan, Drain	34	W10438957	Cover, Thermistor
4	W10711460	Reservoir, Water (Also Order Wire Tie Part 8567668)	20	W10785113	Trim, Icebox	35	W10738349	Assembly, Evaporator Cover
5	W10341329	Valve, Dual Water	21	W10833801	Fan, Icebox	36	W10465948	Gasket, Evaporator Enclosure
6	W10238156	Housing, Water Filter	22	W10630535	Assembly, Evaporator	37	W10510863	Gasket, Drain Tube
7	W10279854	Enclosure, Valve	23	W10843339	Assembly, LED Module	38	W10320706	Gasket, Rear Return
8	W10754145	Cover, Waterbox	24	W10799016	Assembly, Refrigerator Evaporator Wire (Includes Evaporator Fan Motor and Thermistor)	39	W10280988	Gasket, Rear Supply
9	2223877	Latch, Push	25	W10754348	Assembly, Icebox Fascia	40	W10392172	Gasket, Fan
10	W10754143	Door, Filter Access	26	C3680310V	Switch, Light	41	W10738368	Assembly, Air Tower
11	W10680605	Filter, Water	27	W10470981	Gasket, Damper	42	W10843828	Harness, LED Wire (Includes LED lights)
12	W10315189	Filter, Air	28	W10280983	Insulation	43	W10673048	Jumper, Fascia Heater
13	W10674102	Waterline, Valve To Hinge	29	W10389152	Support, Fan			Following Parts Not Illustrated
14	W10820065	Heater, Fill Tube	30	W10749701	Assembly, Icebox Adapter	W10821278		Wire Assembly Dual Valve Box
15	12990518	Screw	31	W10503491	Retainer, Damper			
16	W10598013	Cover, Icebox						

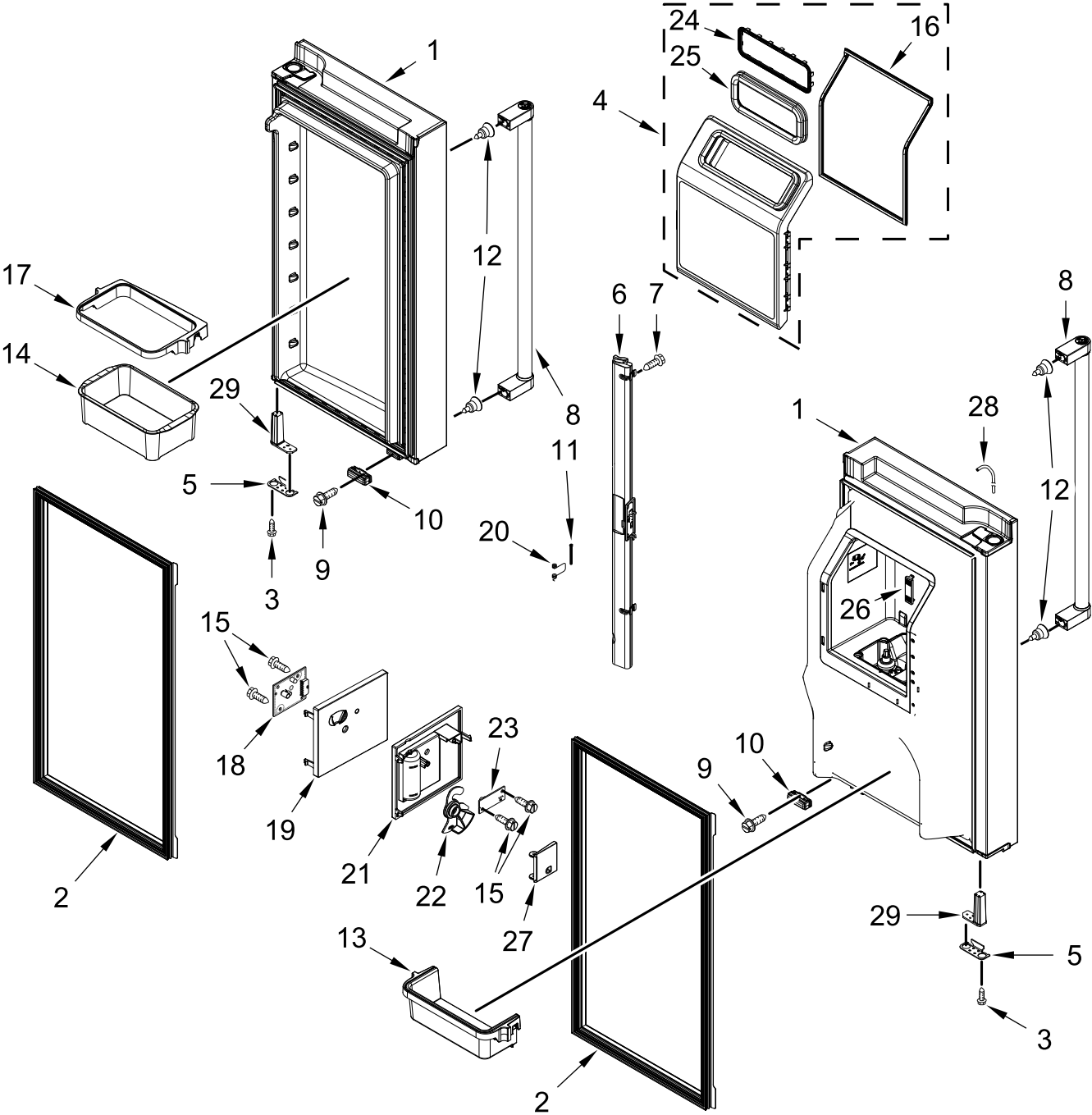
# FREEZER LINER PARTS



# FREEZER LINER PARTS

<u>Illus.</u> <u>No.</u>	<u>Part No.</u>	<u>Description</u>	<u>Illus.</u> <u>No.</u>	<u>Part No.</u>	<u>Description</u>	<u>Illus.</u> <u>No.</u>	<u>Part No.</u>	<u>Description</u>
1		Liner (Not A Serviceable Part)	8	12990504	Screw	14	W10503218	Assembly, Drain Funnel
2	A3189392	Gasket, Foam	9	W10280385	Thermistor	15	M0500703	Seal
3	W10660728	Assembly, LED Light Module	10	W10363507	Shroud, Evaporator Fan	16	B8381501	Gasket, Drain
4	W10736933	Assembly, Evaporator Cover (Freezer)	11	12986101	Blade, Fan	17	W10698555	Cover, Thermistor
5	12990501	Screw	12	12951101	Grommet, Fan Motor			
6	12956601	Clip, Fan Motor	13	W10701003	Motor, Evaporator (Includes Harness Thermistor, and Defrost Thermostat)			
7	W10565415	Switch, Light						

# REFRIGERATOR DOOR PARTS

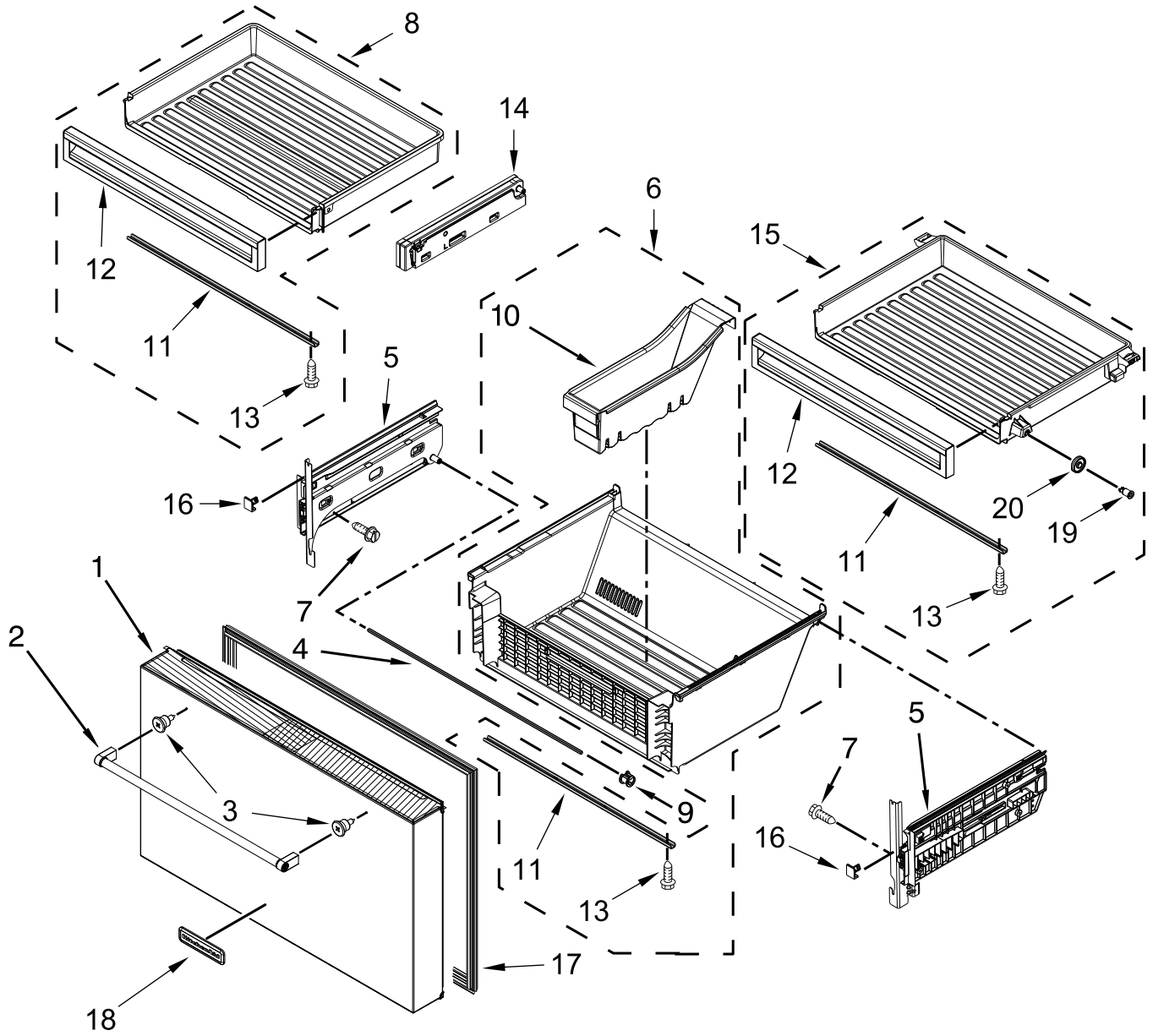




# REFRIGERATOR DOOR PARTS

<u>Illus.</u> <u>No.</u>	<u>Part No.</u>	<u>Description</u>	<u>Illus.</u> <u>No.</u>	<u>Part No.</u>	<u>Description</u>	<u>Illus.</u> <u>No.</u>	<u>Part No.</u>	<u>Description</u>
1		Door, Refrigerator (Includes Item 2) Left Hand	7	12990204	Screw	23	W10832970	Board, Emitter Circuit
	W10634613	Black	8		Handle, Door	24	W10562839	Retainer, Ice Chute
	W10634612	Stainless		W10680044	Stainless	25	W10567563	Gasket, Ice Chute
	W10634619	Black	9	12990504	Screw	26	W10646867	Vent, Thermistor
	W10634618	Stainless	10		Bumper, Door	27	W10563323	Door, Emitter
2		Gasket, Door		W10407187	Black	28	W10663692	Tube, Water
	W10873946	Black		W10407188	Grey	29		Closer, Door
	W10873944	Grey	11	W10331749	Pin, Door		W10714907	Left Hand
3	W10238319	Screw	12	W10460893	Screw		W10714908	Right Hand
4	W10564705	Door, Ice	13	W10737419	Trivet, 2 Liter			
5		Bracket, Stopping	14	W10737416	Bucket, Gallon			
	W10708583	Black	15	12993001	Screw			
6		Mullion, Door	16	W10567561	Gasket, Ice Door			
	W10752977	Black	17	W10737415	Frame, Bin			
	W10752974	Grey	18	W10518658	Board, Receiver Circuit			
			19	W10563326	Cover, Receiver			
			20	2198635	Spring, Door			
			21	W10563309	Cover, Emitter			
			22	W10563328	Slide, Icemaker Shut Off			

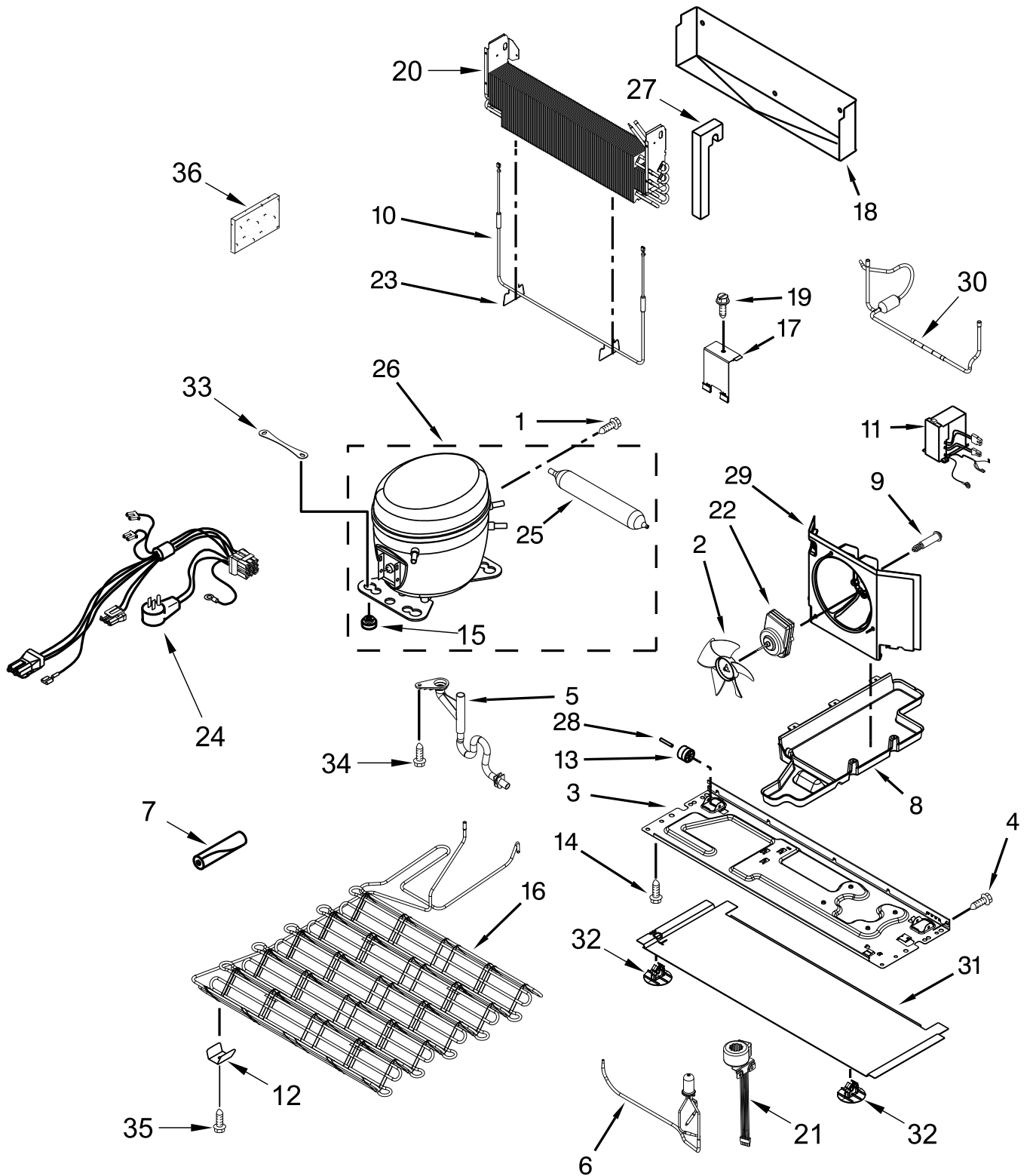
# FREEZER DOOR PARTS



# FREEZER DOOR PARTS

<u>Illus.</u> <u>No.</u>	<u>Part No.</u>	<u>Description</u>	<u>Illus.</u> <u>No.</u>	<u>Part No.</u>	<u>Description</u>	<u>Illus.</u> <u>No.</u>	<u>Part No.</u>	<u>Description</u>
1		Door, Freezer (Includes Item 17)	7	12990518	Screw	16		Stop, Pan
	W10634625	Black	8	W10738962	Assembly, Upper Pan (Freezer)		W10585151	Left Hand
	W10634624	Stainless	9	W10709748	Clip, Shaft		W10585150	Right Hand
2		Handle, Door	10	W10562492	Divider, Lower	17		Gasket, Door
	W10687115	Stainless	11	W10469177	Support, Pan		W10248748	Black
3	W10460893	Screw	12	W10738960	Assembly, Pan Front		W10248749	Grey
4	W10503522	Shaft	13	489443	Screw (Stainless)	18		Badge
5		Assembly, Bracket	14		Adapter, Upper Pan		W10518672	Grey
	W10625069	Left Hand		W10619221	Left Hand	19	W10643690	Axle, Roller
	W10625070	Right Hand		W10619220	Right Hand	20	W10248555	Roller, Pan
6	W10634640	Assembly, Lower Pan (Freezer)	15	W10738961	Assembly, Center Pan (Freezer)			

# UNIT PARTS



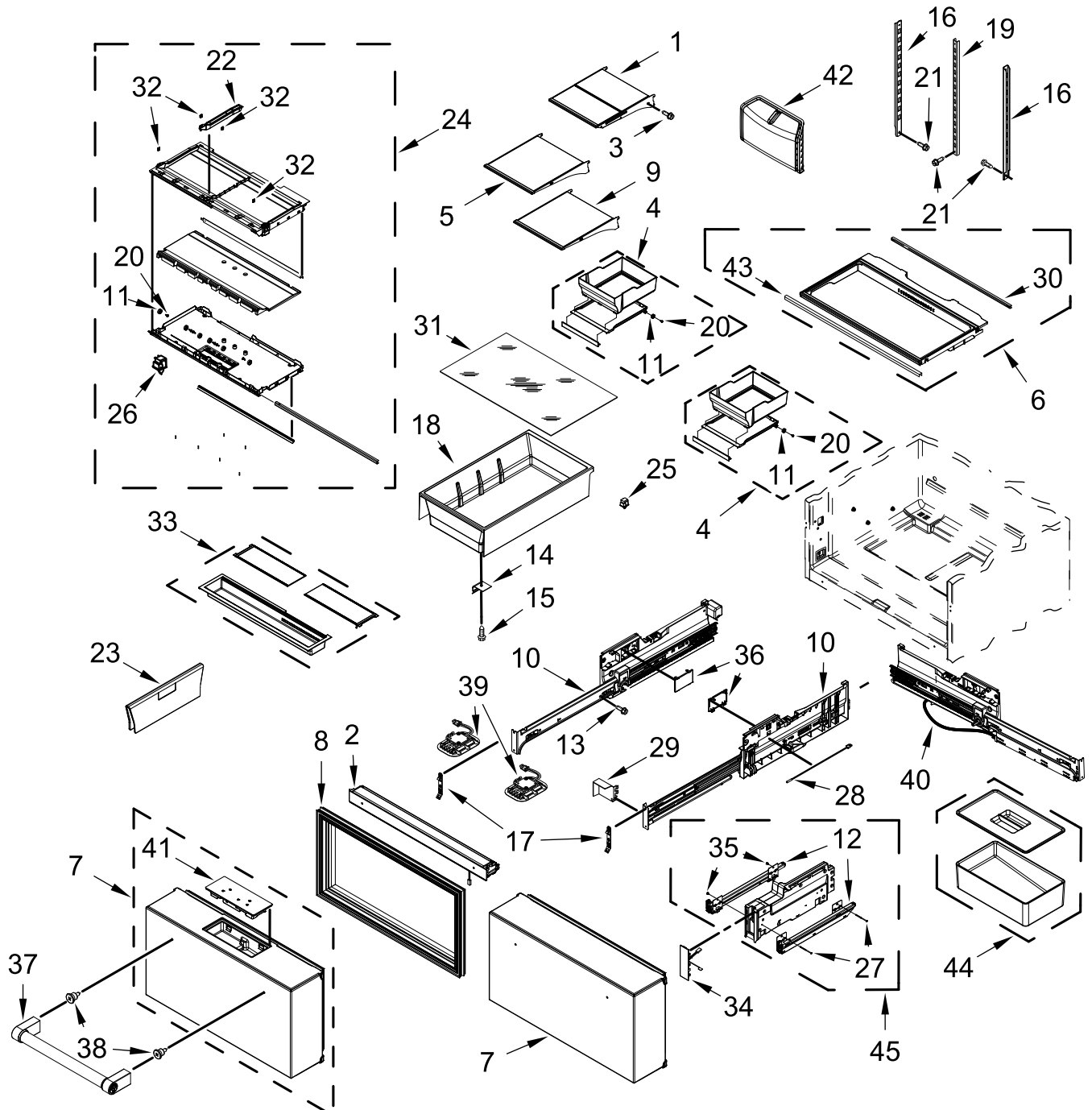
# UNIT PARTS

<u>Illus.</u> <u>No.</u>	<u>Part No.</u>	<u>Description</u>
1	W10141625	Screw
2	2188935	Blade, Fan
3	W10570074	Baseplate
4	12990511	Screw
5	W10776916	Extension, Drain
6	W10696498	Assembly, Valve Body
7	W10303521	Sleeve
8	W10660727	Tray, Evaporator
9	W10622701	Screw
10	12729128	Heater, Defrost
11	W10710090	Assembly, Inverter Box
12	W10248621	Clip, Condenser
13	12477102	Roller
14	12992101	Screw
15	10835903	Grommet
16	W10758093	Condenser

<u>Illus.</u> <u>No.</u>	<u>Part No.</u>	<u>Description</u>
17	W10391376	Bracket, Valve
18	W10342573	Tray, Drip
19	W10142255	Screw
20	W10248589	Assembly, Evaporator
21	W10709318	Coil, 3 Way Valve
22	W10527155	Motor, Condenser Fan
23	10428101	Clip, Heater
24	W10672162	Assembly, Unit Wire (Includes Power Cord)
25	W10286069	Drier
26	W10756020	Compressor
27	W10491355	Gasket, Airdam
28	12477202	Axle, Roller
29	W10406719	Shroud
30	W10626970	Assembly, Suction Tube
31	W10278140	Cover, Condenser (Bottom)

<u>Illus.</u> <u>No.</u>	<u>Part No.</u>	<u>Description</u>
32	W10815861	Clip, Bottom Cover
33	W10236396	Strap, Compressor
34	W10141518	Screw
35	W10142294	Screw
36	2169104	Sealer, Insulation
		REFRIGERANT CHARGE 6.00 oz. (R-134A)

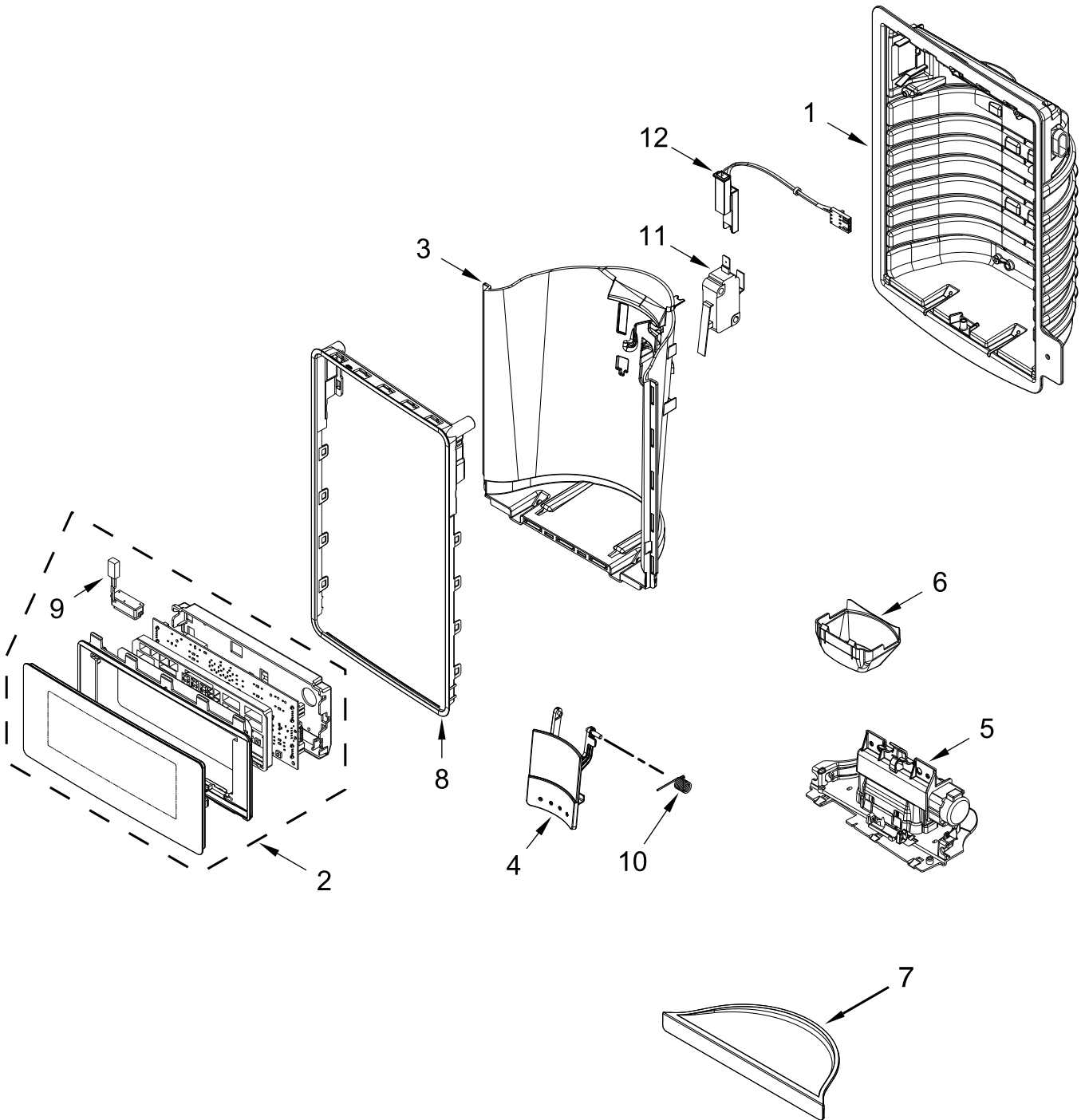
# SHELF PARTS



# SHELF PARTS

<u>Illus.</u> <u>No.</u>	<u>Part No.</u>	<u>Description</u>	<u>Illus.</u> <u>No.</u>	<u>Part No.</u>	<u>Description</u>	<u>Illus.</u> <u>No.</u>	<u>Part No.</u>	<u>Description</u>
1	W10737428	Assembly, Tuck Shelf	11	W10788795	Roller	32	12702901	Pad, Glide
2		Assembly, Secondary Mullion	12		Glide, Compact (Also Order Items 27 and 35)	33	W10793117	Assembly, Secondary Mullion Bin
	W10849115	Black		W10847525	Left Hand	34		Assembly, Mullion Cover
	W10849118	Grey		W10735385	Right Hand		W10733545	Black
3	W10325002	Screw	13	98006631	Screw		W10733546	Grey
4	W10801137	Assembly, Crisper	14	W10704335	Clip, Drawer Body	35	W10737730	Nut, Rivet
5	W10737407	Assembly, Lighted Shelf	15	W10664603	Screw	36	W10731491	Cover, Side Adapter
6	W10796183	Assembly, Crisper Cover	16	W10719660	Ladder, Side	37		Handle, Door
7		Door, Pantry (Includes Item 8)	17	W10732765	Clip, Glide Door		W10680045	Stainless
		Left Hand	18	W10730610	Drawer, Pantry	38	W10460893	Screw
	W10733264	Black	19	W10719661	Ladder, Center	39	W10843353	Assembly, LED Light Module
	W10733263	Stainless Right Hand	20	12991401	Screw	40	W10512203	Harness, Side Adapter
	W10738905	Black	21	W10666373	Screw	41		Interface, User
	W10738904	Stainless	22	W10638123	Guide, Crisper		W10677118	Black
8		Gasket, Pantry	23	W10709891	Divider, Pantry Pan		W10769076	Stainless
	W10712392	Black	24	W10802390	Assembly, Floor	42	W10826105	Assembly, Produce Preserver
	W10685868	Grey	25	C3680310V	Switch, Light	43	W10684313	Support, Front
9	W10756314	Assembly, Shelf	26	12466104	Switch, Rocker	44	W10634636	Assembly, Herb Bin
10		Adapter, Pantry	27	W10737605	Screw	45	W10847589	Assembly, Pantry Center Adapter
	W10718060	Left Hand	28	W10549991	Thermistor			
	W10718059	Right Hand	29	W10711821	Cover, Connector			
			30	W10493547	Support, Crisper Rear			
			31	W10493549	Glass, Crisper			

# DISPENSER FRONT PARTS

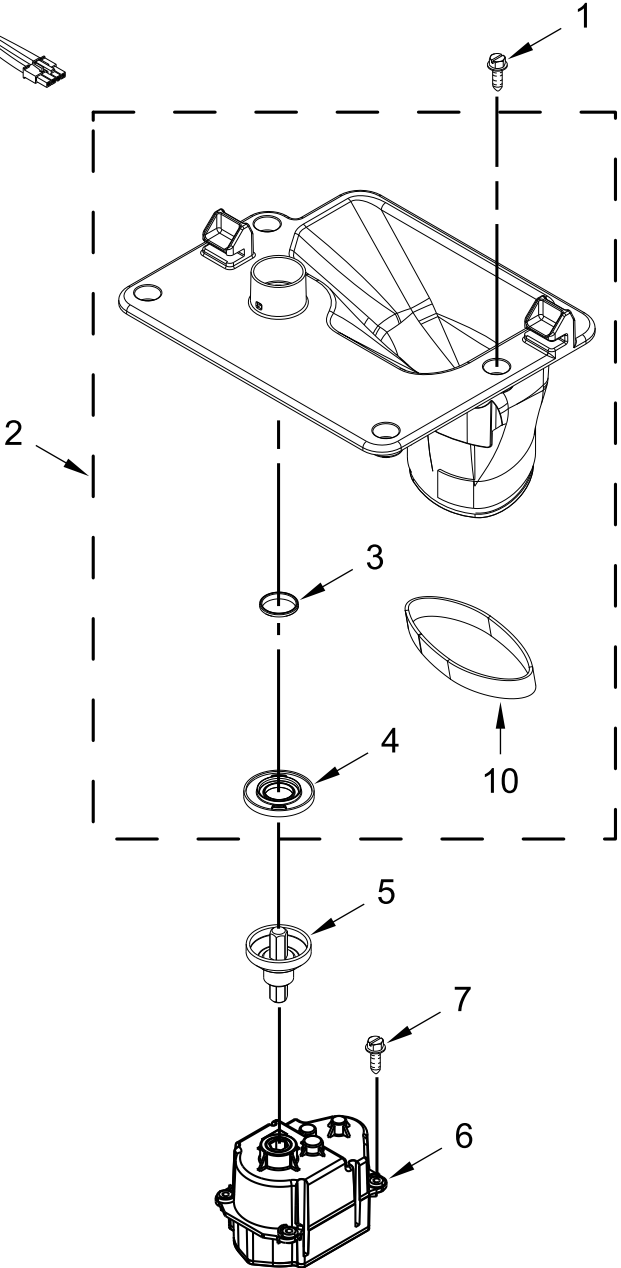
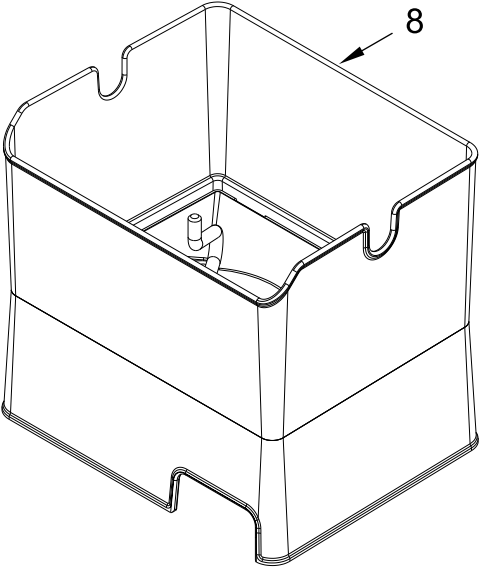
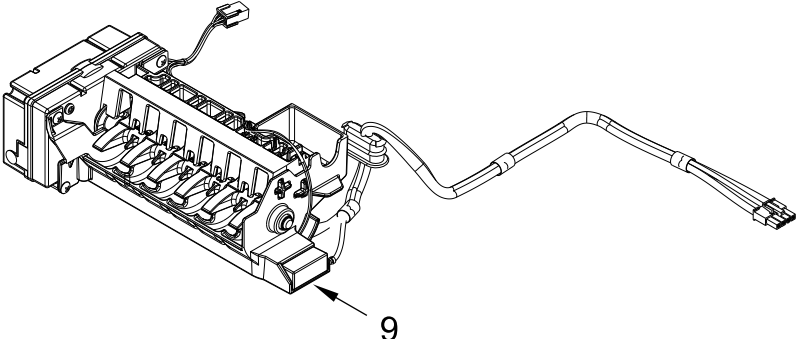




# DISPENSER FRONT PARTS

<u>Illus.</u> <u>No.</u>	<u>Part No.</u>	<u>Description</u>	<u>Illus.</u> <u>No.</u>	<u>Part No.</u>	<u>Description</u>	<u>Illus.</u> <u>No.</u>	<u>Part No.</u>	<u>Description</u>
1		Housing, Dispenser (Not Serviced)	4		Assembly, Pad	8		Ring, Trim
2		Assembly, User Interface		W10663646	Black		W10654551	Chrome
	W10852741	Black	5	W10654548	Assembly, Seperator	9	W10470750	Assembly, LED
3		Wall, Dispenser False	6	W10435760	Guide, Ice	10	W10663682	Spring, Torsion
	W10654549	Black	7		Tray, Drip	11	W10403752	Switch, Limit
				W10654552	Black	12	W10712476	Assembly, Switch Jumper Wire

# ICEMAKER AND ICE CONTAINER PARTS



# ICEMAKER AND ICE CONTAINER PARTS

<u>Illus.</u> <u>No.</u>	<u>Part No.</u>	<u>Description</u>
1	W10272364	Screw
2	W10664669	Assembly, Ice Chute Plate
3	2198628	Seal
4	W10347120	Clip, Retainer

<u>Illus.</u> <u>No.</u>	<u>Part No.</u>	<u>Description</u>
5	W10347114	Shaft, Motor
6	W10215646	Motor, Dispenser
7	8281163	Screw (Stainless)
8	W10564750	Assembly, Ice Container

<u>Illus.</u> <u>No.</u>	<u>Part No.</u>	<u>Description</u>
9	W10746960	Assembly, Icemaker
10	W10291905	Gasket

# OPTIONAL PARTS

## PAINT, TOUCH-UP (1/2OZ.)

<u>Illus.</u> <u>No.</u>	<u>Part No.</u>	<u>Description</u>
	72017	White
	72032	Black
	511873	White Porcelain (2 oz.)
	4392899	Biscuit/Bisque

## PAINT, PRESSURIZED SPRAY (12 OZ.)

<u>Illus.</u> <u>No.</u>	<u>Part No.</u>	<u>Description</u>
	350930	White
	350939	Enamel, Black
	285006	Black
	350942	White Primer
	4392901	Biscuit/Bisque

## PAINT, BULK (1 QT.)

<u>Illus.</u> <u>No.</u>	<u>Part No.</u>	<u>Description</u>
	799344	White (Uncut)

## MISCELLANEOUS

<u>Illus.</u> <u>No.</u>	<u>Part No.</u>	<u>Description</u>
	212643	Sealer, Gum (4 Feet)
	479502	Tape, Vinyl (3/4 x 108")
	876370	Insulation (2 Pieces, 3" x 24" x 48")
	876305	Insulation Kit (14 Pieces, 3" x 24" x 48")
	978941	Insulation, Fiberglass (63 1/2" x 35 1/2" x 2 5/8")
	876029	Kit, Foam Slab (30" x 32 1/2" x 1 1/2")
	505587	Sealer, Mastic (1 Qt)
	503695	Cork, Sealer
	20000008	Cleaner, Stainless Steel
	542638	Grease, Silicone (1/2 Oz.)
	542639	Cement, Alumilastic (1 1/4 Oz.)
	833938	Kit, Terminal Connector
	8003RP	Kit, Water Inlet

## TORX SCREW WRENCH

<u>Illus.</u> <u>No.</u>	<u>Part No.</u>	<u>Description</u>
	1117510	Torx Key