

# mediterranean



Influences of the finest galleys across the seas have produced the latest wave in cooktop design, with sloped silhouettes that blend seamlessly into the countertop.



**KENYON**<sup>®</sup>  
*Custom*



Kenyon International, Inc. building quality specialty cooking appliances since 1931.

# mediterranean

Subtly textured surface, beveled edged ceramic glass, may mount flush or proud

## Two Burner Units

### Model B41510

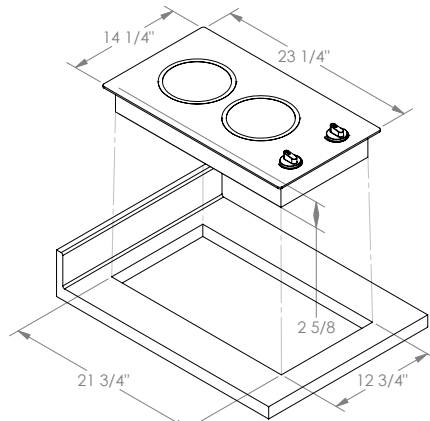
120 volt - 22 amp,  
1 - 6 1/2" (165mm) @ 1200 watts  
1 - 8" (200mm) @ 1400 watts

### Model B41591

208 volt - 15 amp,  
1 - 6 1/2" (165mm) @ 1200 watts  
1 - 8" (200mm) @ 1800 watts

### Model B41511

240 volt - 13 amp,  
1 - 6 1/2" (165mm) @ 1200 watts  
1 - 8" (200mm) @ 1800 watts



Overall Dimensions: 23 1/4" x 14 1/4" x 2 5/8"  
590.6mm x 362mm x 66.7mm  
Cutout Dimensions: 21 3/4" x 12 3/4" with 1/4" radius  
552.5mm x 323.9mm with 6.4 radius

## Two Burner Trimline Units

### Model B41515

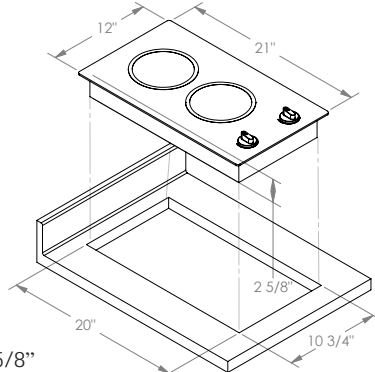
120 volt - 20 amp,  
2 - 6 1/2" (165mm) @ 1200 watts each

### Model B41596

208 volt - 12 amp,  
2 - 6 1/2" (165mm) @ 1200 watts each

### Model B41516

240 volt - 10 amp,  
2 - 6 1/2" (165mm) @ 1200 watts each



Overall Dimensions: 21" x 12" x 2 5/8"  
533.4mm x 304.8mm x 66.7mm  
Cutout Dimensions: 20" x 10 3/4" with 1/4" radius  
508mm x 273mm with 6.4 radius

## Single Burner Units

### Model B41517

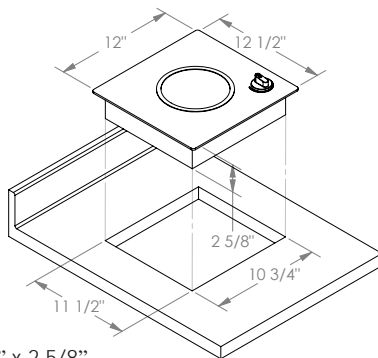
120 volt - 10 amp,  
6 1/2" (165mm) @ 1200 watts

### Model B41598

208 volt - 6 amp,  
6 1/2" (165mm) @ 1200 watts

### Model B41518

240 volt - 5 amp,  
6 1/2" (165mm) @ 1200 watts



Overall Dimensions: 12 1/2" x 12" x 2 5/8"  
317.5mm x 304.8mm x 66.7mm  
Cutout Dimensions: 11 1/2" x 10 3/4" with 1/4" radius  
292.1mm x 273mm with 6.4 radius

From the finest yacht galleys to your home, Kenyon Mediterranean series ceramic glass cooktops are the latest wave in cooktop design...

Introducing the Mediterranean, a veritable sea of features with stylish muted graphics. Subtly textured black glass, beveled edge design, durable, and easy to clean, with safety features uniquely Kenyon. Both one and two burner models available in 120, 208 or 240 volts, with push-to-turn controls, infinite heat control and quick-to-heat radiant ribbon elements. Safety features include heat limiting cooking surface protectors, an *On* indicator light for each burner, and a *Hot* burner indicator light. And as all Kenyon Custom products, backed by uncompromising quality, exclusive 3-year product replacement warranty and the best customer service in the industry.

**KENYON**<sup>®</sup>  
*Custom*

Kenyon International, Inc.  
P.O. Box 925, Clinton, CT 06413  
Tel: 860.664.4906  
Fax: 860.664.4907  
[www.KenyonAppliances.com](http://www.KenyonAppliances.com)



KENYON Custom Logo, Life-Touch, KISS, Electris KISS, Express and all related materials are trademarks of Kenyon International, Inc. ©2010 Kenyon International, Inc. All Rights Reserved. Specifications subject to change without notice. UL is a registered trademark of Underwriters Laboratory Inc. Printed in U.S.A. 10-2010