



WALL HOODS

SAFETY INFORMATION3

USING THE HOOD

Controls5

Chef Connect 6

Wi-Fi Connect..... 6

CARE AND CLEANING

Filters7

Surfaces8

Lights8

INSTALLATION INSTRUCTIONS ... 9

TROUBLESHOOTING TIPS.....21

WARRANTY..... 22

ACCESSORIES 23

CONSUMER SUPPORT 24

OWNER'S MANUAL & INSTALLATION INSTRUCTIONS

UVW9301
UVW9361

Write the model and serial numbers here:

Model # _____

Serial # _____

You can find them on a label on the inside of the hood.

ESPAÑOL

Para consultar una version en español de este manual de instrucciones, visite nuestro sitio de internet GEAppliances.com.

THANK YOU FOR MAKING GE APPLIANCES A PART OF YOUR HOME.

Whether you grew up with GE Appliances, or this is your first, we're happy to have you in the family.

We take pride in the craftsmanship, innovation and design that goes into every GE Appliances product, and we think you will too. Among other things, registration of your appliance ensures that we can deliver important product information and warranty details when you need them.

Register your GE appliance now online. Helpful websites and phone numbers are available in the Consumer Support section of this Owner's Manual. You may also mail in the pre-printed registration card included in the packing material.



GE APPLIANCES

IMPORTANT SAFETY INFORMATION

READ ALL INSTRUCTIONS BEFORE USING

⚠ WARNING TO REDUCE THE RISK OF FIRE, ELECTRIC SHOCK OR INJURY TO PERSONS, OBSERVE THE FOLLOWING:

- A. Use this unit only in the manner intended by the manufacturer. If you have questions, contact the manufacturer.
- B. Before servicing or cleaning unit, switch power off at service panel and lock the service disconnecting means to prevent power from being switched on accidentally. When the service disconnecting means cannot be locked, securely fasten a prominent warning device, such as a tag, to the service panel.
- C. Do not use this unit with any solid-state speed control device.
- D. This unit must be grounded.

⚠ CAUTION FOR GENERAL VENTILATING USE ONLY. DO NOT USE TO EXHAUST HAZARDOUS OR EXPLOSIVE MATERIALS AND VAPORS.

⚠ CAUTION TO REDUCE RISK OF FIRE AND TO PROPERLY EXHAUST AIR, BE SURE TO DUCT AIR OUTSIDE. DO NOT VENT EXHAUST AIR INTO SPACES WITHIN WALLS OR CEILINGS OR INTO ATTICS, CRAWL SPACES OR GARAGES.

⚠ WARNING TO REDUCE THE RISK OF INJURY TO PERSONS IN THE EVENT OF A RANGE TOP GREASE FIRE, OBSERVE THE FOLLOWING*:

- A. SMOTHER FLAMES with a close-fitting lid, cookie sheet or metal tray, then turn off the burner. BE CAREFUL TO PREVENT BURNS. If the flames do not go out immediately, EVACUATE AND CALL THE FIRE DEPARTMENT.
- B. NEVER PICK UP A FLAMING PAN—You may be burned.
- C. DO NOT USE WATER, including wet dishcloths or towels—a violent steam explosion will result.
- D. Use an extinguisher ONLY if:
 1. You know you have a Class ABC extinguisher, and you already know how to operate it.
 2. The fire is small and contained in the area where it started.
 3. The fire department is being called.
 4. You can fight the fire with your back to an exit.

*Based on "[Kitchen Fire Safety](#)" published by NFPA.

READ AND SAVE THESE INSTRUCTIONS

IMPORTANT SAFETY INFORMATION

READ ALL INSTRUCTIONS BEFORE USING

⚠ WARNING TO REDUCE THE RISK OF A RANGE TOP GREASE FIRE:

- A. Never leave surface units unattended at high settings. Boilovers cause smoking and greasy spillovers that may ignite. Heat oils slowly on medium settings.
- B. Always turn hood ON when cooking at high heat or when flambéing food (i.e. Crepes Suzette, Cherries Jubilee, Peppercorn Beef Flambé).
- C. Clean ventilating fans frequently. Grease should not be allowed to accumulate on fan or filter.
- D. Use proper pan size. Always use cookware appropriate for the size of the surface element.

⚠ WARNING TO REDUCE THE RISK OF FIRE, ELECTRIC SHOCK OR INJURY TO PERSONS, OBSERVE THE FOLLOWING:

- A. Installation work and electrical wiring must be done by qualified person(s) in accordance with all applicable codes and standards, including fire-rated construction.
- B. Sufficient air is needed for proper combustion and exhausting of gases through the flue (chimney) of fuel burning equipment to prevent back drafting. Follow the heating equipment manufacturer's guidelines and safety standards such as those published by the National Fire Protection Association (NFPA), the American Society for Heating, Refrigeration and Air Conditioning Engineers (ASHRAE) and the local code authorities.

- C. When cutting or drilling into wall or ceiling, do not damage electrical wiring and other hidden utilities.
- D. Ducted fans must always be vented to the outdoors.
- E. When applicable, install any makeup (replacement) air system in accordance with local building code requirements. Visit GEAppliances.com for available makeup air solutions.
- F. Turn off breaker to adjacent rooms while working.

⚠ WARNING TO REDUCE THE RISK OF FIRE, USE ONLY METAL DUCTWORK.

- Do not attempt to repair or replace any part of your hood unless it is specifically recommended in this manual. All other servicing should be referred to a qualified technician.

How to Remove Protective Shipping Film and Packaging Tape

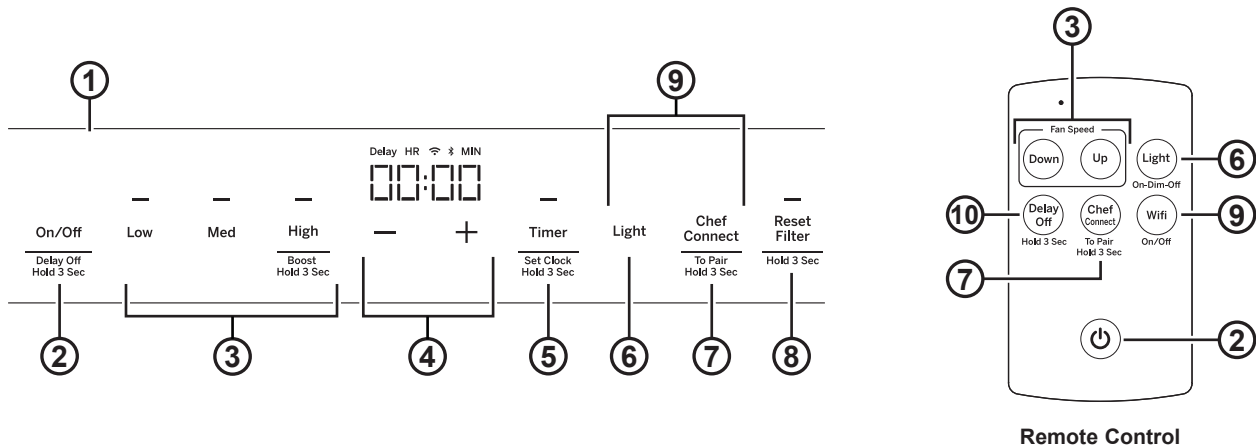
Carefully grasp a corner of the protective shipping film with your fingers and slowly peel it from the appliance surface. Do not use any sharp items to remove the film. Remove all of the film before using the appliance for the first time.

To assure no damage is done to the finish of the product, the safest way to remove the adhesive from packaging tape on new appliances is an application of a household liquid dishwashing detergent. Apply with a soft cloth and allow to soak.

NOTE: The adhesive must be removed from all parts.

NOTE: For further cleaning instructions/suggestions, please refer to the Care And Cleaning section.

READ AND SAVE THESE INSTRUCTIONS



1. **Rangehood Control Panel:** The control panel is located on the front of the canopy. The position and function of each control pad are noted below.
2. **On/Off:** On/Off switch for the fan and lighting up the display. The fan can be operated by tapping any of the fan setting pads. Hold **On/Off** pad for 3 seconds to activate Delay Off feature, which automatically turns the fan off after 15 minutes.
3. **Fan Setting:** Speed control for fan. Tap **Low** for LOW speed. **Med** for MEDIUM speed and **High** for HIGH speed. Press and hold the **High** pad for 3 seconds to activate the BOOST speed that will run for 10 minutes. On Remote, press **Up** to increase fan speed, press **Down** to decrease fan speed, including Boost.
4. **Plus and Minus:** The plus (+) and minus (-) pads control the time for the clock and the timer. To add time, tap the + pad. To subtract time, tap the - pad.
5. **Timer:** Sets a timer for cooking or sets the clock. To start the timer, tap the **Timer** pad and the clock will show "HR" and "MIN". Tap + or - to add or subtract time. Tap on the **Timer** again to start the countdown. To cancel the timer, tap the **Timer** pad again. Hold the **Timer** pad down for 3 seconds to set the clock. Tap the + or - to set the the hour. Tap on the **Timer** again to set minutes. Tap on the **Timer** again to lock in the time. Clock will sync once the unit is connected to Wi-Fi.
6. **Light:** Controls the lights. Tap the **Light** pad to turn the lights on fully. Tap the **Light** pad again and the lights will dim. Tap the **Light** pad a third time to turn off the lights.
7. **Chef Connect:** Hold the **Chef Connect** pad down for 3 seconds to activate the Bluetooth®. This is a Bluetooth® pairing feature for use with other compatible Chef Connect enabled products on a cooktop or range. When the device is paired, the light and fan will turn ON at the Default Sync Settings upon receiving a command from the range or cooktop. It will remain ON at that setting until the user changes it. See the Chef Connect section for more details.
8. **Reset Filter:** The red LED indicator above the Reset Filter pad turns on as a reminder to change /clean the filter. Hold the **Reset Filter** pad for 3 seconds to turn off. Tap the **Reset Filter** pad again to begin recalculating the time. While this indicator reminds user to change/clean filters, the filters should be cleaned regularly. Please refer to the Filters section.
9. **Wi-Fi:** Hold down the **Light** and **Chef Connect** pads for three seconds to activate the Wi-Fi connect mode. The Wi-Fi symbol above the clock blinks for 3 seconds and then becomes solid. See the Wi-Fi section for more details. On Remote, press **Wi-Fi** to toggle Wi-Fi function.
10. **Delay Off (Remote only):** Press and hold **Delay Off** to toggle Delay Off function.

Chef Connect

Chef Connect Operation Bluetooth® Connection

To pair with another device:

To start the pairing process on the hood, press and hold the **Chef Connect** button for 3 seconds. The backlight for all the icons will light up until the hood is paired with the range or other device. If the pairing is successful, the Bluetooth® symbol above the clock will turn on and become solid.

It will time out after 2 minutes if the pairing is not completed, after which the pairing sequence will need to be restarted.

To cancel pairing:

To cancel the pairing, hold the **Chef Connect** button down for 3 seconds and then turn off the hood.

Default Sync Settings:

The factory default setting for the light will be the brightest.

The factory default setting for the fan sync will be OFF.

The user can change the Default Sync Settings by pressing and holding the **Low** button for 3 seconds. This will enter the Default Settings Mode. Once in this mode, the backlights for all buttons will blink on/off indefinitely and the fan and light will switch to the current Default Sync Setting, so the user knows what the current default value is. At this time, set the light and fan to the desired default levels. Once the user is satisfied with the selection, press and hold the **Off** button for 3 seconds. This will exit this mode. At that time the backlights will stop blinking and the state of the fan and light will change back to their prior state before entering the Default Settings Mode.

Wi-Fi Connect

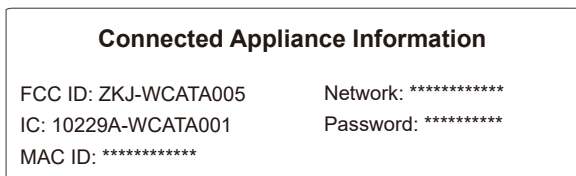
Connecting your Wi-Fi Connect Enabled hood (on some models)

Your GE Appliances hood is designed to provide you with two-way communication between your appliance and smart device. By using the GE Appliances Wi-Fi Connect features, you will be able to control essential hood operations such as fan speed, light functions, timer/clock function, delay off and filter reset using your smartphone or tablet.*

What you will need

Your GE Appliances hood uses your existing home Wi-Fi network to communicate between the appliance and your smart device. In order to setup your GE Appliances hood, you will need to gather some information:

1. Each GE Appliances hood has a connected appliance information label that includes an Appliance Network Name and Password. These are the two important details that you will need to connect to the appliance. The label is located on the side of the unit behind the filters.



Sample Label

2. Have your smart phone or tablet ready with the ability to access the internet and download apps.
3. You will need to know the password of your home Wi-Fi router. Have this password ready while you are setting up your GE Appliances hood.

Connect your GE Appliances hood

1. On your smart phone or tablet visit www.GEAppliances.com/connect to learn more about connected appliance features and to download the appropriate app.
2. Follow the app onscreen instructions to connect your GE Appliances hood.
3. Once the process is complete, the connection light located on your GE Appliances hood display will stay on solid and the app will confirm you are connected.
4. If the connection light does not turn on or is blinking, follow the instructions on the app to reconnect. If issues continue please call 800.220.6899 and ask for assistance regarding hood wireless connectivity.

To connect additional smart devices, repeat steps 1 and 2.

Note that any changes or modifications to the remote enable device installed on this hood that are not expressly approved by the manufacturer could void the user's authority to operate the equipment.

* Compatible Apple or Android devices and home Wi-Fi network required.

Filters

Be sure the circuit breaker is off and all surfaces are cool before cleaning or servicing any part of the vent hood.

Metal Grease Filter

The metal filters trap grease during cooking.

The filters must ALWAYS be in place when the hood is in use. The grease filters are dishwasher-safe and should be cleaned every month, depending on the usage of the hood.

To remove:

Open the filter cover panel and disengage the filter lock to release the filter.

To replace:

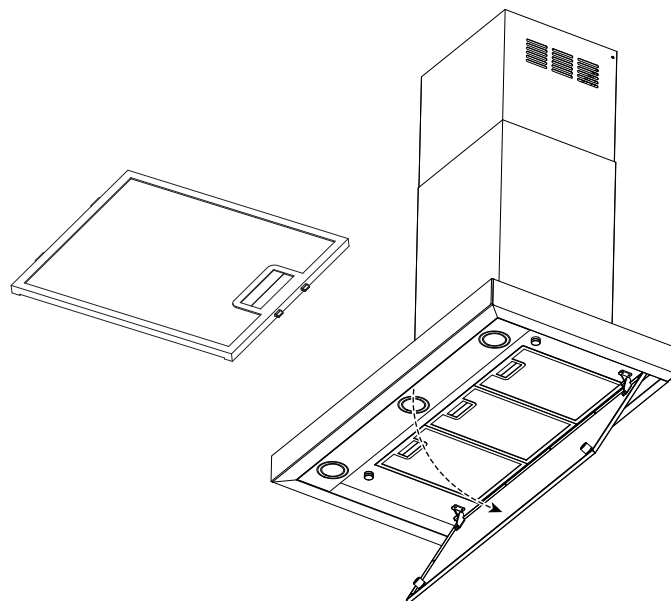
Fit the tabs at the bottom of the filter into the slots in the back of the filter opening. Lift up the front side of the filter and push gently until the filter locks into place. Make sure the filter lock is in the closed position to secure the filter.

NOTE: The front panel covers the filters and must be pressed up and then pulled down to access the filters.

To clean:

Swish the filter in hot soapy water and rinse in clean water or wash it in the dishwasher. Do not use abrasive cleansers.

NOTE: Some discoloration of the filter may occur in the dishwasher.



Charcoal Filter (for recirculation installation only)

If the model is not vented to the outside, the air needs to be recirculated through a disposable charcoal filter that helps remove smoke and odors.

NOTE: DO NOT rinse, or put charcoal filter in an automatic dishwasher.

The charcoal filter is included with the unit. It cannot be cleaned, it must be replaced when Reset Filter LED indicator comes on. It is recommended that the charcoal filter be replaced every 6 months or if it is noticeably dirty or discolored.

Order Charcoal Filter UXCF91

To inquire about purchasing replacement charcoal filters or to find the location of a dealer nearest you, please call our toll-free number:

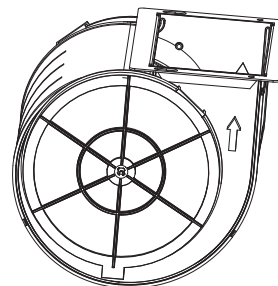
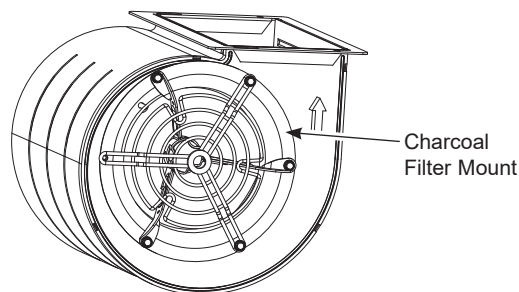
National Parts Center 800.626.2002

To install:

1. Remove the metal filters—see Metal Grease Filter section.
2. Install the charcoal filter mounts to either side of the motor using three screws per side.
3. Insert the tab on the charcoal filter into the triangular slot on the mount.
4. Clip the charcoal filter in until it is locked.
5. Repeat with second filter on the other side of the motor.
6. Replace the metal filters - See Metal Grease Filter section.

To remove:

1. Remove the metal filters—see Metal grease filter section.
2. Unclip the charcoal filter by pressing the release clip.
3. Carefully remove charcoal filter from tab.



Surfaces

Stainless Steel Surfaces (on some models)

Do not use a steel wool pad; it will scratch the surface.

To clean the stainless steel surface, use warm sudsy water or a stainless steel cleaner or polish. Always wipe the surface in the direction of the brush line. Follow the cleaner instructions for cleaning the stainless steel surface. Cleaners with oxalic acid such as **Bar Keepers Friend Soft Cleanser™** will remove surface rust, tarnish, and small blemishes. To receive a coupon for a trial sample of **Bar Keepers Friend Soft Cleanser™** follow the link below or scan the QR Code.



www.barkeepersfriend.com/ge

Use only a liquid cleanser free of grit and rub in the direction of the brush lines with a damp soft sponge.

To inquire about purchasing stainless steel appliance cleaner or polish, or to find the location of a dealer nearest you, please call our toll-free number:

National Parts Center
800.626.2002

GEApplianceParts.com

Painted Surfaces and Black Stainless Color (on some models)

Do not use a steel wool pads or other abrasive cleaners; they will scratch the surface.

Clean grease-laden surfaces of the hood frequently. To clean the hood surface, use a hot, damp cloth with a mild detergent suitable for painted surfaces. About one tablespoon of ammonia may be added to the water. Use a clean, hot, damp cloth to remove soap. Dry with a dry, clean cloth.

NOTE: When cleaning, take care not to come in contact with filters and other surfaces.

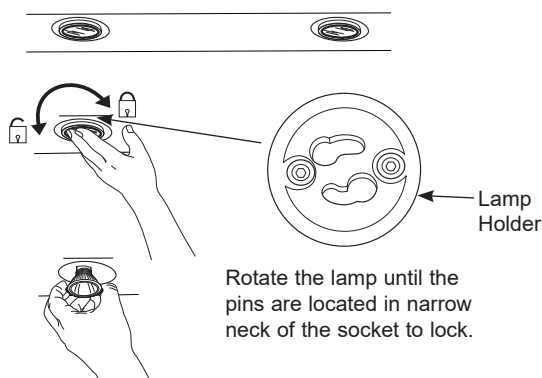
CAUTION When cleaning the hood surfaces, be certain that you do not touch the light with moist hands or cloth. A warm or hot light may break if touched with a moist surface. Always let the light cool completely before cleaning around it.

Lights

CAUTION Allow lights to cool before touching.

1. Before attempting to replace the lights, make sure that the light switch is turned off.
2. Rotate light counterclockwise to unlock and pull out. Wearing latex gloves may offer a better grip.
3. Replace with new light of same type, making sure pins are inserted properly into the sockets of the lamp holder and turn clockwise to lock.

All lamps need to be GU10 compatible.



Installation Instructions

Wall Hoods
 UVW9301, UVW9361

? "If you have questions, call GE Appliances at 800.GE.CARES (800.432.2737) or visit our website at: GEAppliances.com"

BEFORE YOU BEGIN

Read these instructions completely and carefully.

- **IMPORTANT** — Save these instructions for local inspector's use.
- **IMPORTANT** — Observe all governing codes and ordinances.
- **Note to Installer** – Be sure to leave these instructions with the Consumer.
- **Note to Consumer** – Keep these instructions for future reference.
- **Skill level** – Installation of this vent hood requires basic mechanical and electrical skills.
- **Completion time** – Approximately 1 to 3 hours
- Proper installation is the responsibility of the installer.
- Product failure due to improper installation is not covered under the Warranty.

▲ CAUTION Due to the weight and size of these vent hoods and to reduce the risk of personal injury or damage to the product, **TWO PEOPLE ARE REQUIRED FOR PROPER INSTALLATION.**

FOR YOUR SAFETY

▲ WARNING Before beginning the installation, switch power off at service panel and lock the service disconnecting means to prevent power from being switched on accidentally. When the service disconnecting means cannot be locked, securely fasten a prominent warning device, such as a tag, to the service panel.

▲ WARNING TO REDUCE THE RISK OF FIRE, ELECTRIC SHOCK OR INJURY TO PERSONS, OBSERVE THE FOLLOWING:

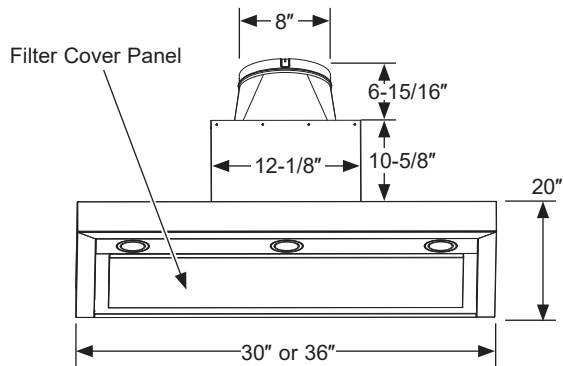
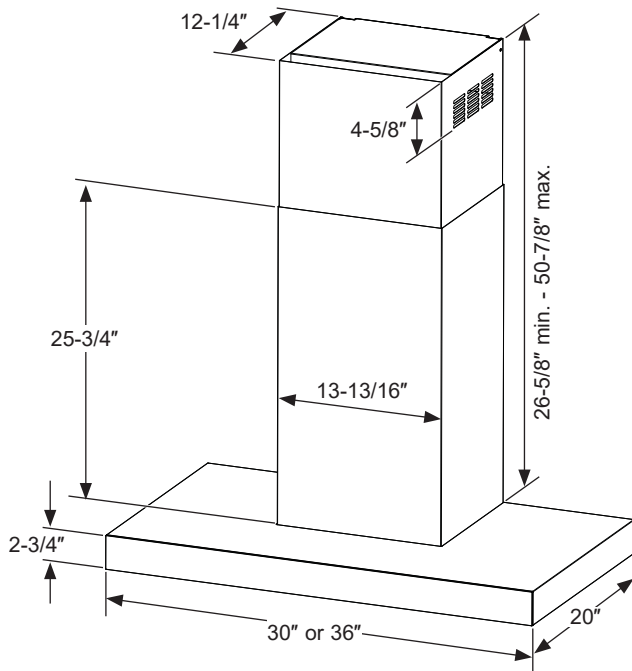
- A. Installation work and electrical wiring must be done by qualified person(s) in accordance with all applicable codes and standards, including fire-rated construction.
- B. Sufficient air is needed for proper combustion and exhausting of gases through the flue (chimney) of fuel burning equipment to prevent back drafting. Follow the heating equipment manufacturer's guidelines and safety standards such as those published by the National Fire Protection Association (NFPA), the American Society for Heating, Refrigeration and Air Conditioning Engineers (ASHRAE) and the local code authorities.
- C. When cutting or drilling into wall or ceiling, do not damage electrical wiring and other hidden utilities.
- D. Ducted fans must always be vented to the outdoors.
- E. Turn off breaker to adjacent rooms while working.

▲ WARNING TO REDUCE THE RISK OF FIRE, USE ONLY METAL DUCT WORK.

▲ WARNING Disconnect all electrical power at the main circuit breaker or fuse box before installing.

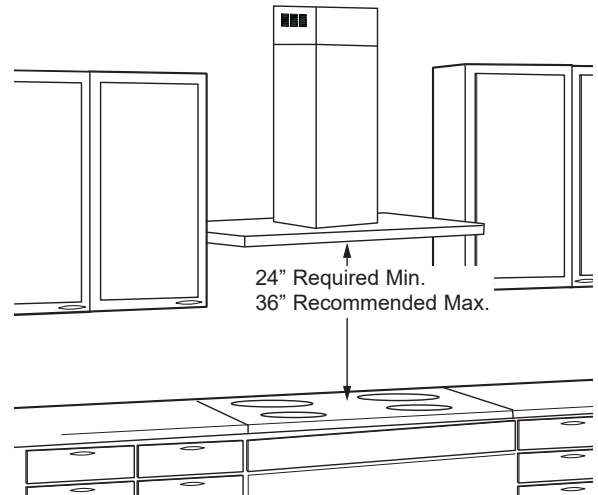
Installation Preparation

PRODUCT DIMENSIONS



INSTALLATION CLEARANCES

These vent hoods are designed to be installed onto a wall with no above cabinets.

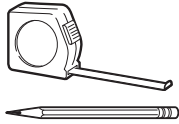


The vent hood must be installed between the 24" required minimum and 36" recommended maximum above the cooking surface. For supplied duct cover ceiling heights, see Installation Height Table.

NOTE: Installation height should be measured from the cooking surface to the lowest part of the hood. The hood must be installed onto a wall. It can be vented to the outdoors, or it can be installed for recirculating operation. For recirculation operation, see Recirculation Install Planning.

Installation Preparation

TOOLS AND MATERIALS REQUIRED (NOT SUPPLIED)



Pencil and tape measure



Safety glasses



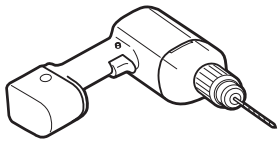
Phillips screwdriver



Level



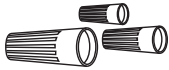
Wire cutter/stripper



Electric drill with #2 Phillips and 1/8" drill bits



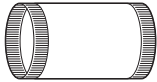
Aluminized duct tape



UL listed wire nuts



Strain relief for junction box



8" round duct (length will vary)



Gloves

PLAN THE INSTALLATION

⚠ CAUTION

To reduce risk of fire and to properly exhaust air, be sure to duct the air outside. Do not vent exhaust air into spaces within walls or ceilings or into attics, crawl spaces, or garages.

PARTS SUPPLIED FOR INSTALLATION

- 1 Hardware Package
- 1 Literature Package
- Recirculation Duct (for recirculation install only)
- Charcoal filters (recirculation mode)

PARTS NEEDED FOR INSTALLATION

- 1 Strain Relief
- 1 Wall or Roof Cap (for ducted venting only)
- All Metal Ductwork (for ducted venting only)

⚠ WARNING

PERSONAL INJURY HAZARD

Because of the weight and size of the rangehood canopy. It is recommended that 2 people are used to install the range hood. Failure to properly lift rangehood could result in damage to the product or personal injury.

NOTE: This rangehood can be installed as either ducted or recirculation. In a ducted application, this rangehood can be vented through the wall or ceiling. When installed for recirculation, the rangehood vents out the sides of the duct cover.

NOTE: Before making any cuts or holes for installation, determine which venting method will be used and carefully calculate all measurements.

REMOVE THE PACKAGING

⚠ CAUTION

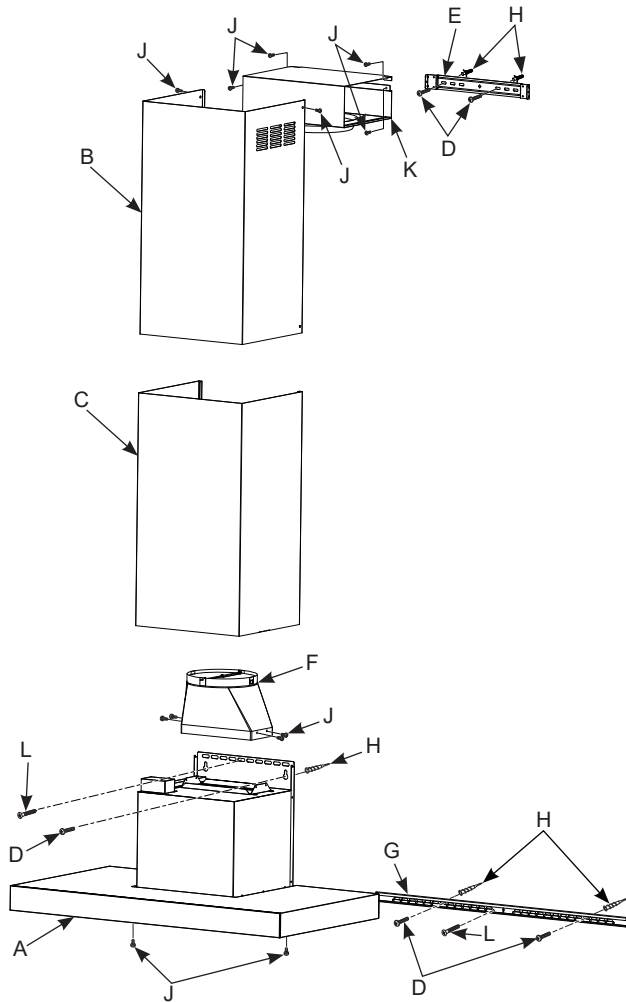
Wear gloves to protect against sharp edges.

- Remove the duct covers.
- Remove the hardware bag, literature package and other boxed parts.
- Remove and properly discard the protective plastic wrapping and other packaging materials.

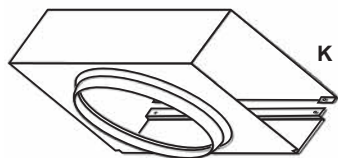
Installation Preparation

RANGE HOOD COMPONENTS

- A. Wall Hood
- B. Upper Duct Cover
- C. Lower Duct Cover
- D. Mounting Screws
- E. Duct Cover Mounting Bracket
- F. Damper
- G. Hood Mounting Bracket
- H. Mounting Anchors
- I. Mounting Screws
- J. Machine Screws
- K. Recirculation Box
- L. Wood Screws

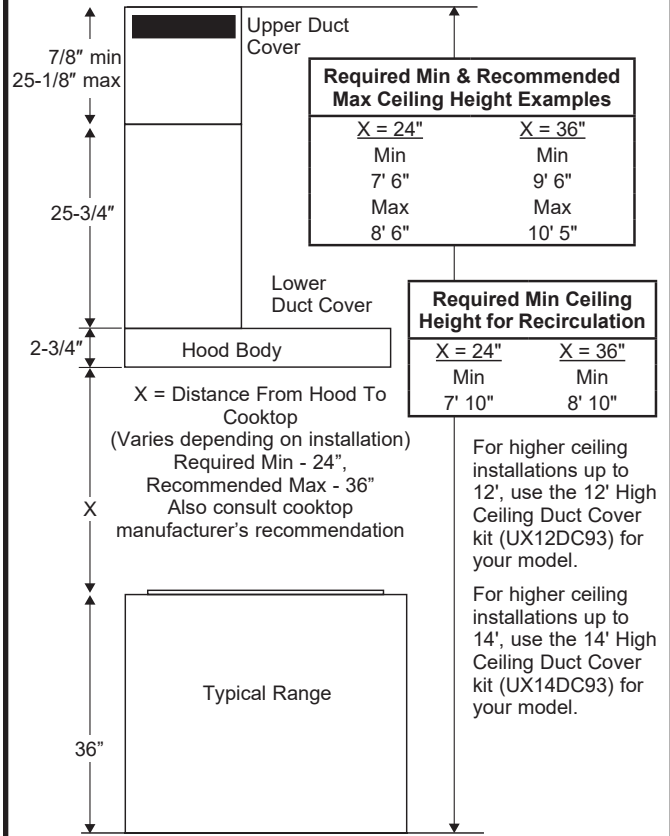


RECIRCULATION COMPONENTS



INSTALLATION DIMENSIONS

The Wall Hoods duct covers can be adjusted for different ceiling heights depending on the distance between the bottom of the hood and the cooktop (distance X). See Installation Height Table.

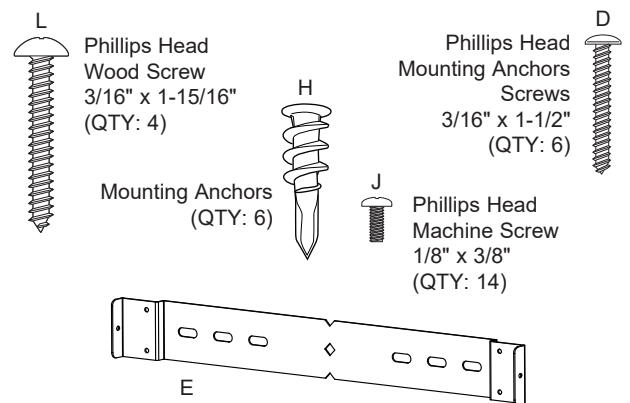


For higher ceiling installations up to 12', use the 12' High Ceiling Duct Cover kit (UX12DC93) for your model.

For higher ceiling installations up to 14', use the 14' High Ceiling Duct Cover kit (UX14DC93) for your model.

HARDWARE COMPONENTS

NOTE: The chimney extension replaces the upper and lower chimney shipped with the range hood. The hardware included with the hood should be saved and also used with the chimney extension.



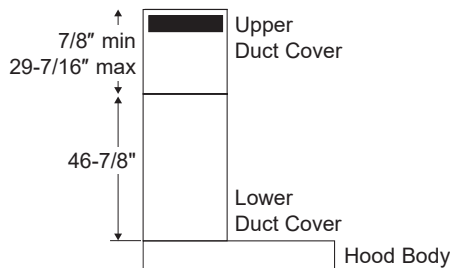
Installation Preparation

INSTALLATION HEIGHT TABLE

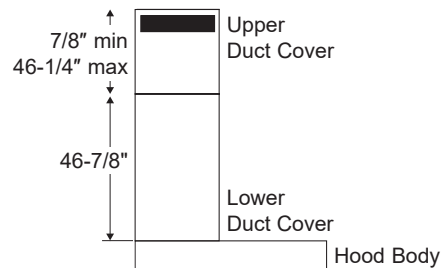
Installation Height with Supplied Duct Covers				(UX12DC93SS or UX12DC93TS)		(UX14DC93SS or UX14DC93TS)	
				Optional High Ceiling Duct Cover up to 12 ft. (not included with unit)		Optional High Ceiling Duct Cover up to 14 ft. (not included with unit)	
Ceiling Height (ft./in.)	Possible Vented Install Height (in.)	Possible Vented Install Height (Recirculation vented Holes Hidden) (in.)	Possible Recirculation Install Height (in.)	Ceiling Height (ft./in.)	Vented and Recirculation Height (in.)	Ceiling Height (in.)	Vented and Recirculation Install Height (in.)
7' 6"	24	24		9' 3"	24	12'	24-36
7' 7"	24-25	24-25		9' 4"	24-25	12' 1"	24-36
7' 8"	24-26	24-26		9' 5"	24-26	12' 2"	24-36
7' 9"	24-27	24-27		9' 6"	24-27	12' 3"	24-36
7' 10"	24-28	24-28	24	9' 7"	24-28	12' 4"	24-36
7' 11"	24-29	24-29	24-25	9' 8"	24-29	12' 5"	24-36
8'	24-30	24-30	24-26	9' 9"	24-30	12' 6"	24-36
8' 1"	24-31	24-31	24-27	9' 10"	24-31	12' 7"	24-36
8' 2"	24-32	24-32	24-28	9' 11"	24-32	12' 8"	24-36
8' 3"	24-33	24-33	24-29	10'	24-33	12' 9"	24-36
8' 4"	24-34	24-34	24-30	10' 1"	24-34	12' 10"	24-36
8' 5"	24-35	24-35	24-31	10' 2"	24-35	12' 11"	24-36
8' 6"	24-36	24-36	24-32	10' 3"	24-36	13'	24-36
8' 7"	24-36	24-36	24-33	10' 4"	24-36	13' 1"	25-36
8' 8"	24-36	24-36	24-34	10' 5"-11' 3"	24-36	13' 2"	26-36
8' 9"	24-36	24-36	24-35	11' 4"	24-36	13' 3"	27-36
8' 10"	24-36	24-36	24-36	11' 5"	24-36	13' 4"	28-36
8' 11"	24-36	24-36	24-36	11' 6"	24-36	13' 5"	29-36
9'	24-36	24-36	24-36	11' 7"	24-36	13' 6"	30-36
9' 1"	24-36	24-36	24-36	11' 8"	25-36	13' 7"	31-36
9' 2"	24-36	25-36	24-36	11' 9"	26-36	13' 8"	32-36
9' 3"	24-36	26-36	24-36	11' 10"	27-36	13' 9"	33-36
9' 4"	24-36	27-36	24-36	11' 11"	28-36	13' 10"	34-36
9' 5"	24-36	28-36	24-36	12'	29-36	13' 11"	35-36
9' 6"	25-36	29-36	25-36			14'	36
9' 7"	26-36	30-36	26-36				
9' 8"	27-36	31-36	27-36				
9' 9"	28-36	32-36	28-36				
9' 10"	29-36	33-36	29-36				
9' 11"	30-36	34-36	30-36				
10'	31-36	35-36	31-36				
10' 1"	32-36	36	32-36				
10' 2"	33-36		33-36				
10' 3"	34-36		34-36				
10' 4"	35-36		35-36				
10' 5"	36		36				

*Based on a 36" electric range height.

For gas range, start chart at 92" and subtract 2" for the maximum install height for each block.



12" High Ceiling Duct Cover Kit



14" High Ceiling Duct Cover Kit

Installation Preparation

ADVANCE PLANNING

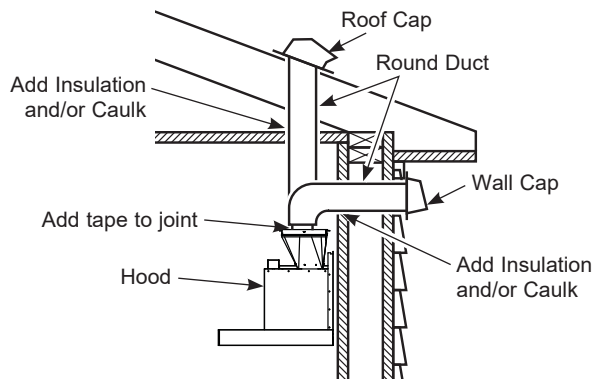
Duct Install Planning

- This hood is designed to be vented vertically through the ceiling. Use an 8" round duct. Use locally supplied elbows to vent horizontally through the rear wall.
- Use metal ductwork only.
- Determine the exact location of the vent hood.
- Plan the route for venting exhaust to the outdoors. To maximize the ventilation performance of the vent system:
 1. Minimize the duct run length and number of transitions and elbows.
 2. Maintain a constant duct size.
 3. Seal all joints with duct tape to prevent any leaks.

NOTE: Flexible vent is not recommended. Flexible vent creates back pressure and air turbulence that greatly reduces performance.

- Maximum equivalent duct length for 100 CFM: 150 foot for vent hoods.
- Install a wall cap or roof cap with damper at the exterior opening. Purchase the wall or roof cap and any transition and length of duct needed in advance.
- When applicable, install any makeup (replacement) air system in accordance with local building code requirements. Use makeup air kit JXMUA8.

Vent system can terminate either through the roof or the wall. To vent through a wall, a 90° elbow is needed and installed immediately above the hood.



Recirculation Install Planning

A recirculation duct (included) and charcoal filter (included) are necessary for recirculation installation.

Power Supply Planning

The location of the power supply connection is called out in the Installing The Hood Bracket Mount section.

POWER SUPPLY

IMPORTANT – (Please read carefully)

⚠ WARNING

FOR PERSONAL SAFETY, THIS APPLIANCE MUST BE PROPERLY GROUNDED.

Remove house fuse or open circuit breaker before beginning installation.

Do not use an extension cord or adapter plug with this appliance. Follow National Electrical Codes or prevailing local codes and ordinances.

Electrical supply

These vent hoods must be supplied with 120V, 60Hz, and connected to an individual, properly grounded branch circuit, and protected by a 15 or 20 amp circuit breaker or time delay fuse.

- Wiring must be 2 wire with ground.
- If the electrical supply does not meet the above requirements, call a licensed electrician before proceeding.
- Route house wiring as close to the installation location as possible in the ceiling or wall.
- Connect the wiring to the house wiring in accordance with local codes.

Grounding instructions

The grounding conductor must be connected to a ground metal, permanent wiring system, or an equipment-grounding terminal or lead on the hood.

⚠ WARNING

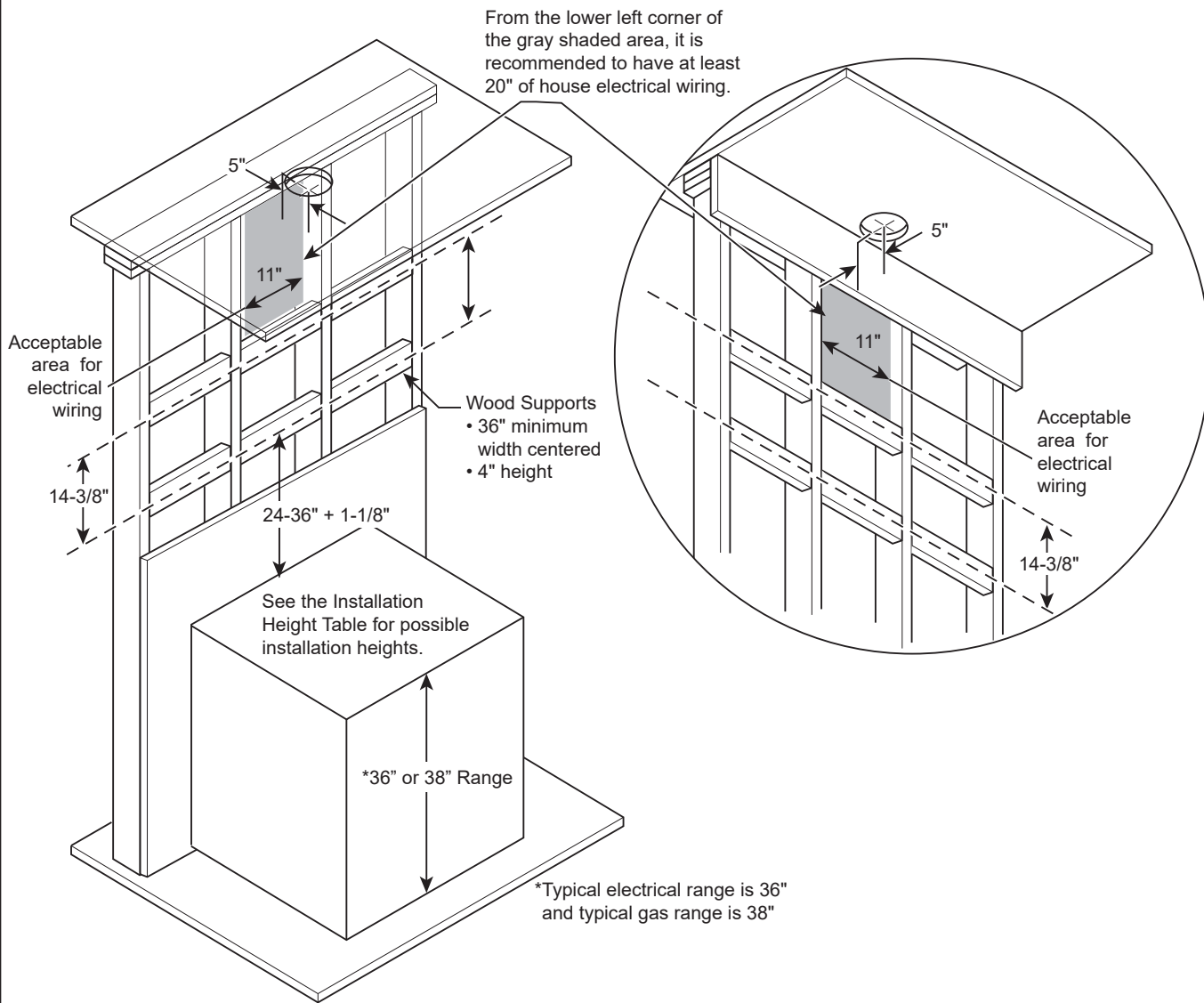
The improper connection of the equipment-grounding conductor can result in a risk of electric shock. Check with a qualified electrician or service representative if you are in doubt whether the appliance is properly grounded.

Installation

NEW CONSTRUCTION, PRE-PLANNING, OR REMODELING

NOTE: For existing construction, skip to the section, Installing The Hood Bracket Mount.

- Install horizontal wood supports between 2 wall studs that align with the vertical mounting height locations shown in the illustration.
- The horizontal supports must be flush with the room side studs.
- For ducted installation, the hole for the duct in the ceiling must be centered 5" away from the finished rear wall.
- The bottom support aligns with the hood mounting bracket. This height depends on the desired height of the hood.
- The top support must be flush with the ceiling.
- The electrical wiring can be located 5-1/2" to the left or right (junction box is on the left) of the centerline. Must remain 7/16" above the back panel and 5" from the ceiling, refer to illustration on next page.

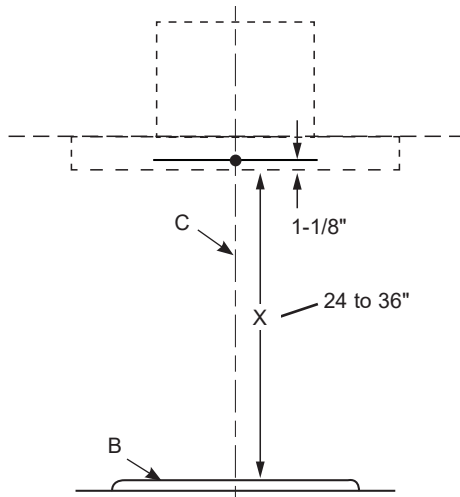


Installation

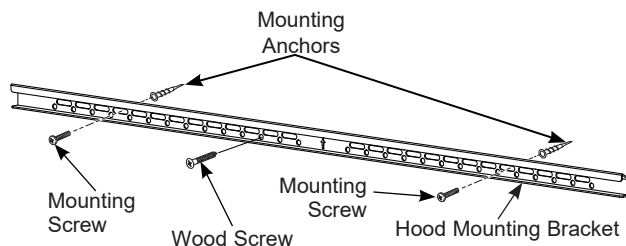
INSTALLING THE HOOD BRACKET MOUNT

Hood Body

1. Put a protective covering over the surface below the location of the hood to protect from dirt and/or damage.
2. Determine and mark the centerline (C) on the wall (draw line up to the ceiling) where the range hood will be installed. Based on the ceiling height, determine the distance between 24" required min, 36" recommended max (X) needed between the cooking surface (B) and the bottom of the hood. Draw a horizontal line at X. Align the install template so that the bottom of the template is centered and is level with the horizontal line drawn at height X.

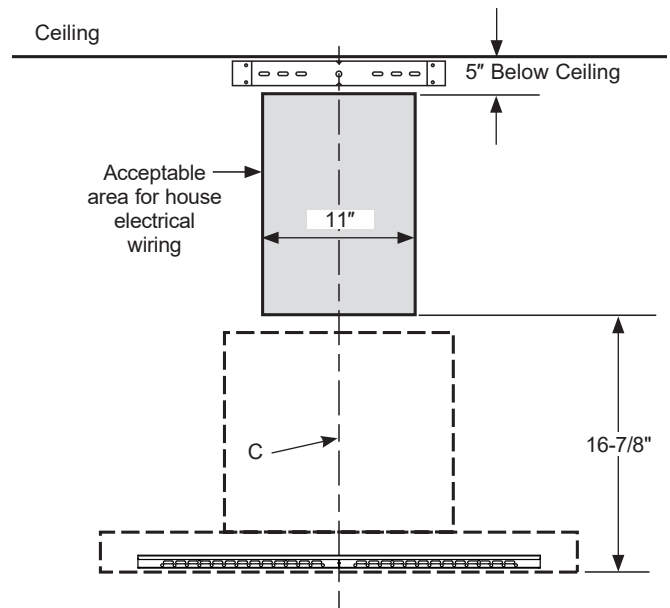


3. Find the stud locations and mark them on the template.
4. Place the hood mounting bracket (G) on its outline on the template. Mark at least one wood screw (L) location that is on a stud. If another stud cannot be found, mark at least two other screw locations for mounting anchors, one on each side of the wood screw (L). Remove the bracket from the wall and install the mounting anchors (H). Place the hood mounting bracket (G) back on the wall and mount it with the wood screws (L) and mounting screws (D) as needed. It is recommended to create a pilot hole in the studs for wood screws (L).



Duct Covers and Power Supply

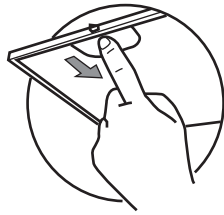
1. Place the duct cover bracket (E) on the wall so that its edge is against the ceiling and level, making sure the slots are in direct contact with the wall. Align the center notches of the bracket and the centerline. Mark the location of the screw holes furthest apart from the center line if possible. If one of the screw holes aligns with a stud, then a wood screw will be used for that location. For the other hole or if there are no studs, install 2 mounting anchors (H). Place the duct cover bracket (E) on the wall and install with wood screws (L) and mounting screws (D) as needed.
2. The house electrical wiring must fall in the gray shaded area shown below. From the lower left corner of the shaded area, a minimum of 20" of house electrical wiring is recommended to reach the electrical junction box on the hood.



Installation

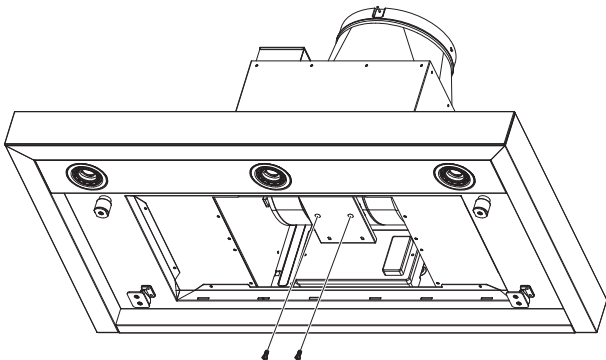
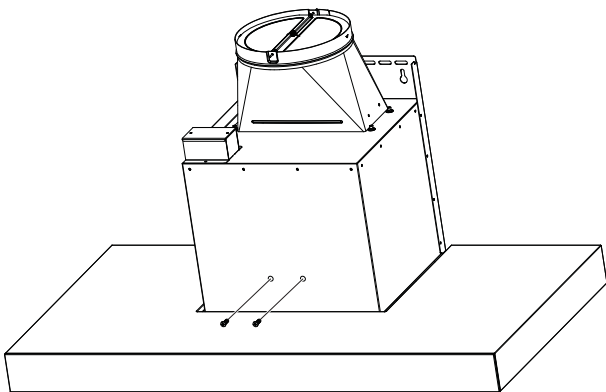
INSTALLING THE HOOD

Remove the grease filters from the unit and set aside. The grease filters are removed by pressing the handle in the front of the filter. When replacing, make sure that the filters are properly positioned with the handles in front and visible.

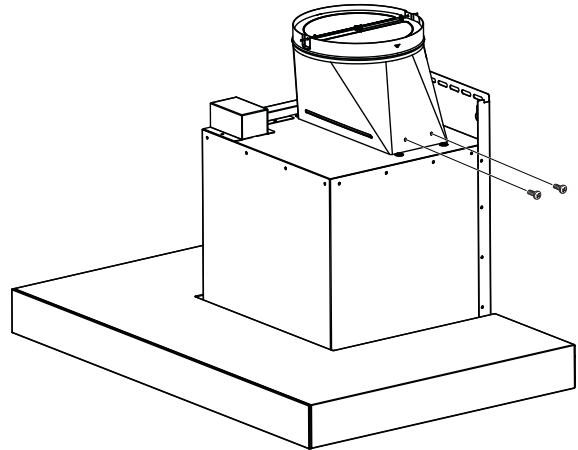


NOTE: On some models, the front panel covers the filters and must be pulled down to access the filters.

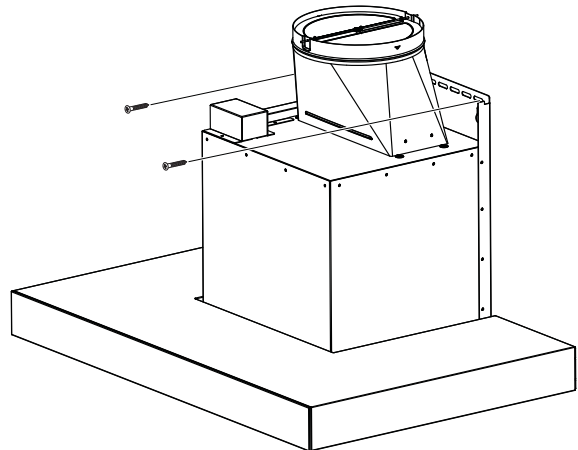
NOTE: This bracket must be removed prior to installation. Remove 2 front and 2 bottom screws per illustration bellow.



1. Securely press the damper on top of the exhaust opening. Check that the damper opens freely. Attach damper to hood using machine screws (J) provided.



2. Remove and properly discard the protective plastic wrapping from the hood and grease filter. Remove the template off the wall.
3. Mount the Range Hood:
 - Using 2 or more people, lift the range hood and place on the hood mounting bracket. Make sure the bracket fully engages the hood body.
 - Install the 2 mounting screws (D) or wood screws (L) as needed into the designated holes on the back panel.

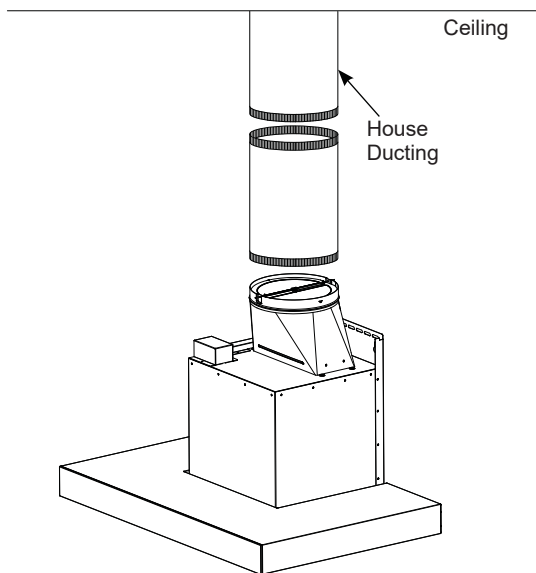


Installation

INSTALLING THE HOOD (Cont.)

A Vented Installations

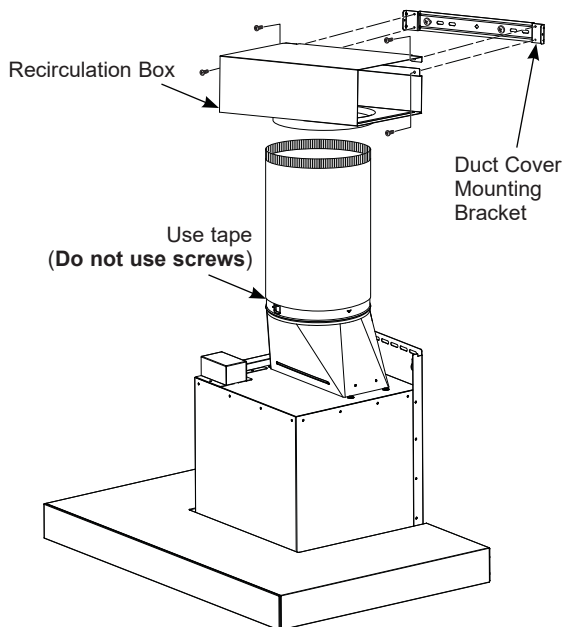
Connect the house ducting to the damper on the hood body. Seal all connections with duct tape (Do not use screws).



B Recirculation (Non-vented)

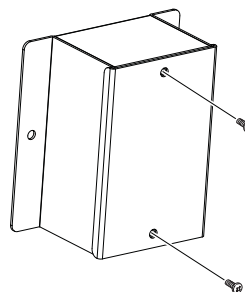
NOTE: A recirculation box, a charcoal filter, and a bracket are included with the hood and are necessary for recirculation installation.

1. Attach the recirculation box to the duct over mounting bracket with 4 machine screws (J).
2. Connect the ducting from the exhaust outlet on the hood to the recirculation box. Use duct tape to seal the connections on the recirculation box and the exhaust outlet.

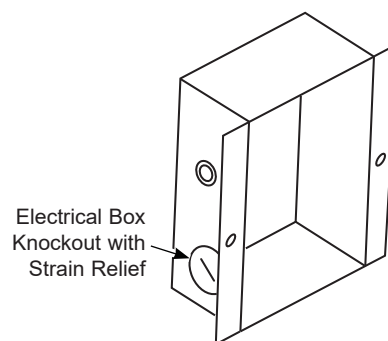


ELECTRICAL CONNECTION

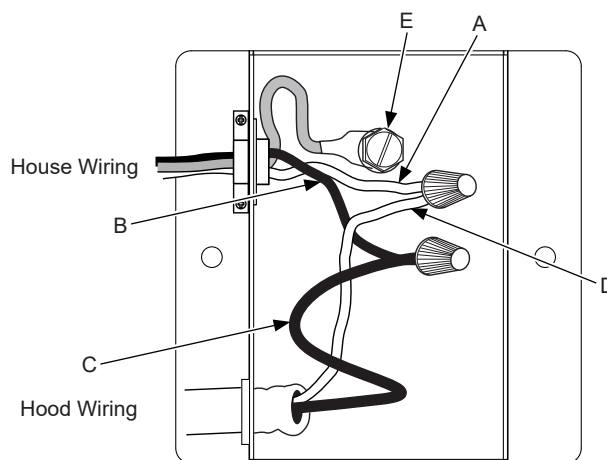
1. Remove the electrical junction box cover.



2. Remove the electrical box knockout.



3. Feed the Power Supply Cable through the hole and secure with a strain relief.
4. Attach the white lead of the power supply (A) to the white lead of the range hood (D) with a wire nut. Attach the black lead of the power supply (B) to the black lead of the range hood (C) with a wire nut. Connect the house ground wire under the green grounding screw (E).



5. Reattach the electrical junction box cover.

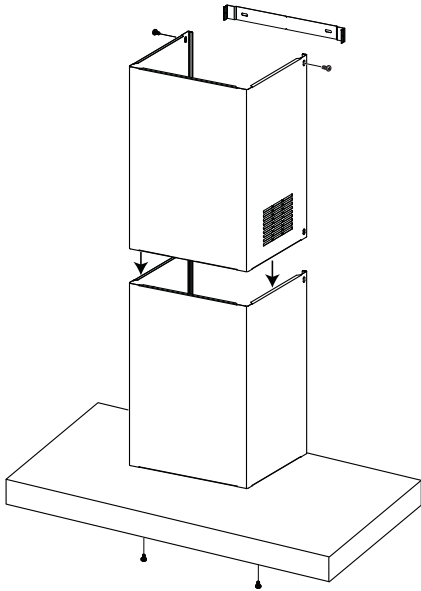
INSTALL DUCT COVERS

1. **For ducted and recirculation installation:**
Remove protective film from duct covers. Place the upper duct cover so that it slides down inside of the lower duct cover.

NOTE: For recirculation, the upper duct cover must be installed with the exhaust vents on the top towards the ceiling.

Depending on the amount of overlap between the top and bottom duct covers, the top may be reversed to hide vent holes. Refer to Installation Height Table for possible heights.

Place the set of duct covers by sitting them down to fit securely on top of the hood. Finish attaching the lower duct cover to the body of the hood with two machine screws (J) that screw from up underneath the hood.



2. Install the upper duct cover by carefully raising it up to avoid scratching until it reaches the ceiling. Push the duct cover flush against the wall, then use two machine screws (J) to mount the upper duct to the duct mounting bracket.
3. If recirculating, install the charcoal filters. Then reinstall the grease filters to the hood, see the Filters section.
4. Turn the power supply on. Turn on the blower and light. If the range hood does not operate, check that the circuit breaker is not tripped or the house fuse blown. If the unit still does not operate, disconnect the power supply and check that the wiring connections have been made properly.

Installation

MAKE UP AIR TECHNOLOGY

Note to Installers and Inspectors: This product comes equipped with a simple installation feature that limits maximum CFM levels in order to comply with certain local codes or regulations. This installation method may not be necessary for all installations, please refer to your local codes for further guidelines.

⚠ CAUTION Hood must be disconnected from main power prior performing the conversion instructions listed below. Failure to do so could result in personal injury or damage to the product.

To modify unit (if needed for local codes):

390CFM or 290CFM

By design, the maximum blower speed is greater than 400 CFM. For local codes requiring reduced CFM, modify the wiring as described below:

1. Open the filter cover panel and remove the filters.
2. Remove the control board box cover.
3. Locate the motor harness plugged into the control board.

**4. A - For a maximum of 390 CFM
Unit can operate with 4 speeds
(Low, Medium, High, Boost).**

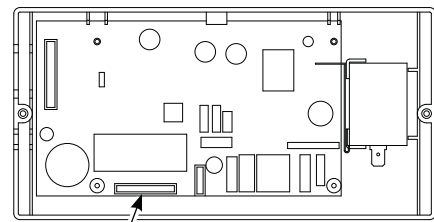
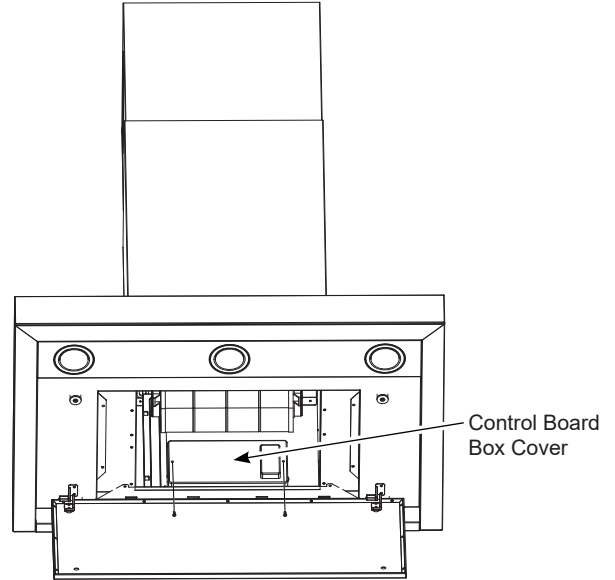
1. Disconnect the connector of the blue wire from the red wire.
2. Connect the 2 red wires together.
3. Cut off the blue unused connector and crimp the end if desired.

**B - For a maximum of 290 CFM
Unit can operate with 3 speeds
(Low, Medium, High).**

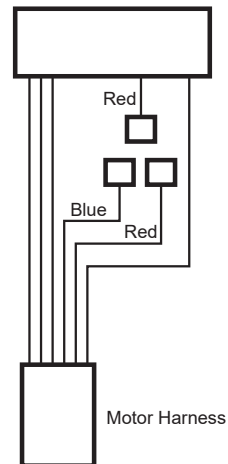
1. Disconnect the connector of the blue wire from the red wire.
2. Cut off the blue unused connector and crimp the end if desired.

5. Reattach the control board box cover and install Filters, see Filters section.

Note to Inspectors: To verify this product was installed in either configuration, check motor wiring connections as described above.



Motor Harness Connector



Troubleshooting tips ... Before you call for service

Save time and money! Review the charts on the following pages first and you may not need to call for service.

Problem	Possible Cause	What To Do
Fan/Light does not operate when button is turned ON	A house fuse may be blown or a circuit breaker tripped.	Replace fuse or reset circuit breaker.
Loud or abnormal airflow noise	Wrong duct size used in installation.	This hood requires 8" ducting to perform optimally. Using smaller duct pipe will cause reduced venting. Minimize the duct run length and number of transitions and elbows. GE Appliances service technicians cannot correct this issue if installed improperly.
Fan fails to circulate air or moves air slower than normal and/or fan is making loud or abnormal airflow noise	Obstructions in duct work.	Make sure nothing is blocking the vent. Make sure your wall or roof cap has a blade or door.
	Damper blade on wall or roof cap may not be open.	Make sure damper swings freely. Damper blades may flip over and will not fully open when this happens. Adjust to original position.
	Metal grease filter and charcoal filter (if present) may be dirty.	Clean the metal grease filter and replace charcoal filter (if present). See Care and Cleaning of the Vent Hood.
	Insufficient makeup (replacement) air	Sufficient makeup (replacement) air is required for exhausting appliances to operate to rating. Check with local building codes, which may require or strongly advise the use of makeup air. Visit GEAppliances.com for available makeup air solutions.
Early light failure	Light wattage is too high.	Replace with correct wattage.
Fan keeps going off and on	The motor is probably overheating and turning itself off. This can be harmful to the motor.	Check to be sure the filters are clean. If off and on cycling continues, call for service.
Hood will not work remotely	Router issues, no wireless signal, etc.	For assistance with hood wireless network connectivity, please call 800.220.6899.
	Hood is not connected.	

GE Appliances Vented Range Hood Warranty

GEAppliances.com

All warranty service is provided by our Factory Service Centers, or an authorized Customer Care® technician. To schedule service online, visit us at www.geappliances.com/service_and_support/, or call GE Appliances at 800.GE.CARES (800.432.2737). Please have your serial number and your model number available when calling for service.

Servicing your appliance may require the use of the onboard data port for diagnostics. This gives a GE Appliances factory service technician the ability to quickly diagnose any issues with your appliance and helps GE Appliances improve its products by providing GE Appliances with information on your appliance. If you do not want your appliance data to be sent to GE Appliances, please advise your technician not to submit the data to GE Appliances at the time of service.

For the period of	GE Appliances will replace
One year From the date of the original purchase	Any part of the cooking product which fails due to a defect in materials or workmanship. During this limited one-year warranty , GE Appliances will provide, free of charge , all labor and related service costs to replace the defective part.

What GE Appliances will not cover:

- Service trips to your home to teach you how to use the product.
- Improper installation, delivery, or maintenance.
- Failure of the product if it is abused, misused, modified, or used for other than the intended purpose or used commercially.
- Replacement of house fuses or resetting of circuit breakers.
- Damage to the product caused by accident, fire, floods, or acts of God.
- Damage to finish, such as surface rust, tarnish, or small blemishes not reported within 48 hours of delivery.
- Incidental or consequential damage caused by possible defects with this appliance.
- Damage caused after delivery.
- Product not accessible to provide required service.
- Service to repair or replace light bulbs, except for LED lamps.

EXCLUSION OF IMPLIED WARRANTIES

Your sole and exclusive remedy is product repair as provided in this Limited Warranty. Any implied warranties, including the implied warranties of merchantability or fitness for a particular purpose, are limited to one year or the shortest period allowed by law.

This warranty is extended to the original purchaser and any succeeding owner for products purchased for home use within the USA. If the product is located in an area where service by a GE Appliances Authorized Servicer is not available, you may be responsible for a trip charge or you may be required to bring the product to an Authorized GE Appliances Service location for service. In Alaska, the warranty excludes the cost of shipping or service calls to your home. Some states do not allow the exclusion or limitation of incidental or consequential damages. This warranty gives you specific legal rights, and you may also have other rights which vary from state to state. To know what your legal rights are, consult your local or state consumer affairs office or your state's Attorney General.

Warrantor: GE Appliances, a Haier company

Extended Warranties: Purchase a GE Appliances extended warranty and learn about special discounts that are available while your warranty is still in effect. You can purchase it online anytime at

www.geappliances.com/service_and_support/shop-for-extended-service-plans.htm

or call 800.626.2224 during normal business hours. GE Appliances Service will still be there after your warranty expires.

Staple your receipt here. Proof of the original purchase date is needed to obtain service under the warranty.

Accessories

Looking For Something More?

GE Appliances offers a variety of accessories to improve your cooking and maintenance experiences!

Refer to the Consumer Support page for phone numbers and website information.

The following products and more are available:

Parts

Power Cord Kit

Make-up Air Kit

Charcoal Filter

Recirculation Kit

Remote Control

12' High Ceiling Duct Cover Kit

14' High Ceiling Duct Cover Kit

Cleaning Supplies

CitruShine™ Stainless Steel Wipes

CERAMA BRYTE® Stainless Steel Appliance Cleaner

Bar Keepers Friend Soft Cleanser™

Consumer Support

GE Appliances Website

Have a question or need assistance with your appliance? Try the GE Appliances Website 24 hours a day, any day of the year! You can also shop for more great GE Appliances products and take advantage of all our on-line support services designed for your convenience. In the US: GEAppliances.com

Register Your Appliance

Register your new appliance on-line at your convenience! Timely product registration will allow for enhanced communication and prompt service under the terms of your warranty, should the need arise. You may also mail in the pre-printed registration card included in the packing material. In the US: GEAppliances.com/register

Schedule Service

Expert GE Appliances repair service is only one step away from your door. Get on-line and schedule your service at your convenience any day of the year. In the US: GEAppliances.com/service or call 800.432.2737 during normal business hours.

Extended Warranties

Purchase a GE Appliances extended warranty and learn about special discounts that are available while your warranty is still in effect. You can purchase it on-line anytime. GE Appliances Services will still be there after your warranty expires. In the US: GEAppliances.com/extended-warranty or call 800.626.2224 during normal business hours.

Remote Connectivity

For assistance with wireless network connectivity (for models with remote enable), visit our website at GEAppliances.com/connected-home-smart-appliances/ or call 800.220.6899 in the US.

Parts and Accessories

Individuals qualified to service their own appliances can have parts or accessories sent directly to their homes (VISA, MasterCard and Discover cards are accepted). Order on-line today 24 hours every day. In the US: GEApplianceparts.com or by phone at 877.959.8688 during normal business hours.

Instructions contained in this manual cover procedures to be performed by any user. Other servicing generally should be referred to qualified service personnel. Caution must be exercised, since improper servicing may cause unsafe operation.

Contact Us

If you are not satisfied with the service you receive from GE Appliances, contact us on our Website with all the details including your phone number, or write to:

In the US: General Manager, Customer Relations | GE Appliances, Appliance Park | Louisville, KY 40225
GEAppliances.com/contact



CAMPANAS DE PARED

INFORMACIÓN DE SEGURIDAD3

USO DE LA CAMPANA

Controles.....5

Chef Connect6

Conexión Wi-Fi.....6

CUIDADO Y LIMPIEZA

Filtros.....7

Superficies.....8

Lámparas.....8

INSTRUCCIONES DE INSTALACIÓN9

CONSEJOS PARA LA SOLUCIÓN DE PROBLEMAS21

GARANTÍA22

ACCESORIOS23

SOPORTE PARA EL CONSUMIDOR.....24

MANUAL DEL PROPIETARIO E INSTALACIÓN

UVW9301
UVW9361

Escriba los números de modelo y de serie aquí:

Nº de Modelo _____

Nº de Serie _____

Los puede encontrar en una etiqueta en la pared interna de la campana.

GRACIAS POR HACER QUE GE APPLIANCES SEA PARTE DE SU HOGAR.

Ya sea que haya crecido usando GE Appliances, o que ésta es su primera vez, nos complace tenerlo en la familia.

Sentimos orgullo por el nivel de arte, innovación y diseño de cada uno de los electrodomésticos de GE Appliances, y creemos que usted también. Entre otras cosas, el registro de su electrodoméstico asegura que podamos entregarle información importante del producto y detalles de la garantía cuando los necesite.

Registre su electrodoméstico GE ahora a través de Internet. Sitios Web y números telefónicos útiles están disponibles en la sección de Soporte para el Consumidor de este Manual del Propietario.

También puede enviar una carta en la tarjeta de inscripción preimpresa que se incluye con el material embalado.



GE APPLIANCES

INFORMACIÓN IMPORTANTE DE SEGURIDAD

LEA TODAS LAS INSTRUCCIONES ANTES DE USAR

⚠ADVERTENCIA PARA REDUCIR EL RIESGO DE INCENDIO, DESCARGA ELÉCTRICA O LESIONES A PERSONAS, CUMPLA CON LOS SIGUIENTES PUNTOS:

- A. Utilice esta unidad sólo de la manera concebida por el fabricante. Si tiene alguna pregunta, comuníquese con el fabricante.
- B. Antes de realizar reparaciones o limpiar la unidad, desconecte la energía del panel de servicio y bloquee los medios de desconexión para evitar el accionamiento de la energía de manera accidental. Cuando los medios de desconexión de servicio no pueden bloquearse, coloque sobre el panel de servicio un dispositivo de advertencia bien visible, como una etiqueta.
- C. No utilice esta unidad con ningún dispositivo de control de velocidad de estado sólido.
- D. Esta unidad debe estar conectada a tierra.

⚠PRECAUCIÓN SÓLO PARA USO DE VENTILACIÓN GENERAL. NO LO UTILICE PARA ELIMINAR MATERIALES Y VAPORES PELIGROSOS O EXPLOSIVOS.

⚠PRECAUCIÓN PARA REDUCIR EL RIESGO DE INCENDIO Y PARA ELIMINAR EL AIRE DE ESCAPE CORRECTAMENTE, ASEGÚRESE DE DIRIGIR EL AIRE DEL CONDUCTO HACIA EL EXTERIOR. NO VENTILE EL AIRE DE ESCAPE EN ESPACIOS DENTRO DE PAREDES O CIELORRASOS O EN ÁTICOS, HUECOS SANITARIOS O GARAJES.

⚠ADVERTENCIA PARA REDUCIR EL RIESGO DE LESIONES A PERSONAS EN CASO DE UN INCENDIO DE GRASA SOBRE UNA ESTUFA, CUMPLA CON LOS SIGUIENTES PUNTOS*:

- A. APAGUE LAS LLAMAS con una tapa que ajuste bien, una plancha para galletas o una bandeja de metal, y luego apague el quemador. TENGA MUCHO CUIDADO A FIN DE EVITAR QUEMADURAS. Si las llamas no se apagan de inmediato, SALGA DE LA VIVIENDA Y LLAME AL DEPARTAMENTO DE BOMBEROS.
- B. NUNCA LEVANTE UNA SARTÉN EN LLAMAS—Usted puede quemarse.
- C. NO UTILICE AGUA, incluyendo repasadores o toallas húmedos—se provocará una violenta explosión de vapor.
- D. Utilice un extintor SÓLO si:
 - 1. Usted sabe que cuenta con un extintor Clase ABC y ya sabe cómo utilizarlo.
 - 2. El incendio es pequeño y se contuvo en el área donde comenzó.
 - 3. Se está llamando al departamento de bomberos.
 - 4. Usted puede combatir el incendio con su espalda dirigida hacia una salida.

*Basado en "[Kitchen Fire Safety](#)" publicado por NFPA.

LEA Y GUARDE ESTAS INSTRUCCIONES

INFORMACIÓN IMPORTANTE DE SEGURIDAD LEA TODAS LAS INSTRUCCIONES ANTES DE USAR

⚠️ ADVERTENCIA PARA REDUCIR EL RIESGO DE UN INCENDIO DE GRASA SOBRE UNA ESTUFA:

- A. Nunca deje unidades de superficie desatendidas en configuraciones de calor elevadas. Los alimentos que hierven y se derraman provocan humo y derrames grasos que pueden prenderse fuego. Caliente los aceites lentamente en configuraciones bajas o medias.
- B. Siempre encienda el sistema de ventilación cuando cocine con configuraciones de calor elevadas o cuando flambee alimentos (por ej., Crepes Suzette, cerezas Jubilee, carne flambeada a la pimienta en grano).
- C. Limpie los ventiladores con frecuencia. No debe permitirse la acumulación de grasa en el ventilador o en el filtro.
- D. Utilice el tamaño de recipiente adecuado. Siempre utilice recipientes de cocción apropiados para el tamaño del elemento de superficie.

⚠️ ADVERTENCIA A FIN DE REDUCIR EL RIESGO DE INCENDIOS, DESCARGAS ELÉCTRICAS O LESIONES PERSONALES, CUMPLA CON LO SIGUIENTE:

- A. El trabajo de instalación y el cableado eléctrico deben ser realizados por una persona(s) calificada de acuerdo con todos los códigos y estándares aplicables, incluyendo construcciones resistentes al fuego.
- B. Es necesario contar con suficiente cantidad de aire para una combustión y salida de gases adecuadas a través del conducto (chimenea) del equipo de consumo de combustible, a fin de evitar ráfagas de aire. Siga las pautas del fabricante del equipo de calefacción y los estándares de seguridad, tales como aquellos publicados por la Asociación Nacional de Protección contra Incendios (National Fire Protection Association, NFPA), la Sociedad Estadounidense para la Calefacción (American Society for Heating), los Ingenieros de Refrigeración y Acondicionadores de Aire (Refrigeration and Air Conditioning Engineers, ASHRAE) y las autoridades de los códigos locales.

- C. Al cortar o perforar una pared o un cielorraso, no dañe el cableado eléctrico y de otros servicios ocultos.
- D. Los ventiladores con conducto siempre deben contar con ventilación hacia el exterior.
- E. Cuando corresponda, instale un sistema de reposición (reemplazo) de aire de acuerdo con los requisitos del código local de construcción. Para acceder a soluciones relacionadas con la reposición de aire, visite **GEAppliances.com**.
- F. Desconecte el disyuntor de habitaciones adyacentes mientras esté trabajando.

⚠️ ADVERTENCIA A FIN DE REDUCIR EL RIESGO DE INCENDIOS, USE SÓLO CONDUCTOS DE METAL.

- No intente reparar o reemplazar ninguna parte de la cocina, a menos que esto se recomiende específicamente en este manual. Cualquier otra reparación deberá ser realizada por un técnico calificado.

Cómo Retirar la Película Protectora de Envío y la Cinta de Embalaje

Con cuidado tome un extremo de la película protectora de envío con los dedos y lentamente retire la misma de la superficie del electrodoméstico. No utilice ningún producto filoso para retirar la película. Retire toda la película antes de usar el electrodoméstico por primera vez.

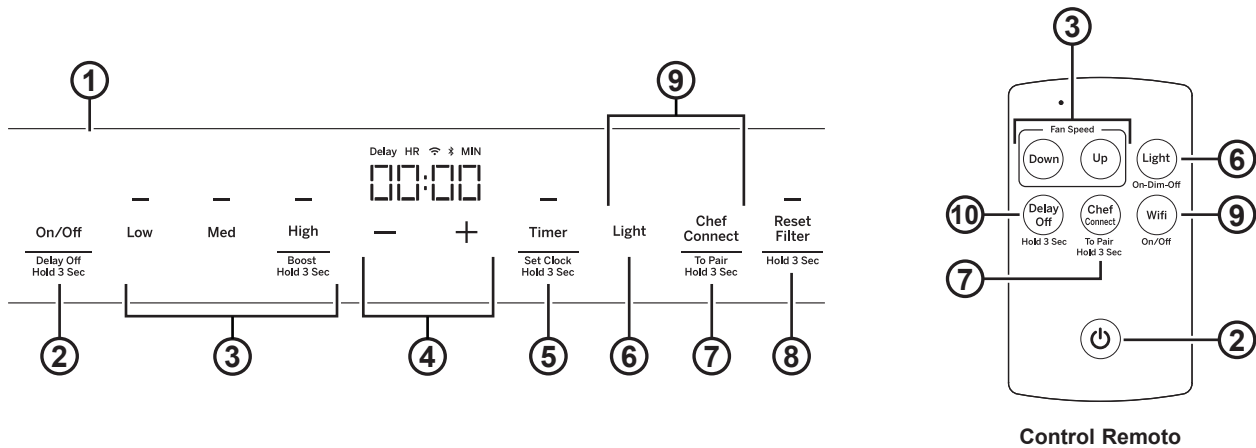
Para asegurar que no haya daños sobre el acabado del producto, la forma más segura de retirar el adhesivo de la cinta

de embalaje en electrodomésticos nuevos es aplicando un detergente líquido hogareño para lavar platos. Aplique con una tela suave y deje que se seque.

NOTA: El adhesivo deberá ser eliminado de todas las partes. No se puede retirar si se hornea con éste dentro.

NOTA: Para más instrucciones/ sugerencias sobre la limpieza, por favor consulte la sección de Cuidado y Limpieza.

LEA Y GUARDE ESTAS INSTRUCCIONES



1. Panel de Control de la Campana

Extractora: El panel de control está ubicado en la parte frontal de la base de la campana del extractor. La posición y función de cada tecla de control figura a continuación.

- On/Off (Encendido/ Apagado):** Tecla On/Off (Encendido/ Apagado) para el ventilador y para iluminar la pantalla. El ventilador puede ser operado presionando cualquiera de las teclas de configuración del ventilador. Mantenga presionada la tecla **On/Off (Encendido/ Apagado)** durante 3 segundos para activar la función Delay Off (Retraso Apagado), el cual apaga de forma automática el ventilador durante 15 minutos.
- Configuración del Ventilador:** Control de velocidad del ventilador. Presione la tecla **Low (Baja)** para configurar una velocidad BAJA. **Med (Media)** para una velocidad MEDIA y **High (Alta)** para una velocidad ALTA. Mantenga presionada la tecla **High (Alta)** durante 3 segundos para activar la velocidad del BOOST (Aumentada), la cual funcionará durante 10 minutos. En la función Remote (Remoto), presione **Up (Arriba)** para incrementar la velocidad del ventilador, y **Down (Abajo)** para reducir la velocidad del ventilador, incluyendo Boost (Aumentado).
- Más y Menos:** Las teclas más (+) y menos (-) controlan el tiempo del reloj y el temporizador. Para agregar tiempo, presione la tecla +. Para restar tiempo, presione la tecla -.
- Timer (Temporizador):** Configura un tiempo para cocinar o configura el reloj. Para iniciar el temporizador, presione la tecla **Timer (Temporizador)** y el reloj mostrará "HR" y "MIN". Presione + o - para agregar o restar tiempo. Presione la tecla **Timer (Temporizador)** nuevamente para iniciar la cuenta regresiva. Para cancelar el temporizador, presione la tecla **Timer (Temporizador)** nuevamente. Mantenga presionada la tecla **Timer (Temporizador)** durante 3 segundos para configurar el reloj. Presione la tecla + o - para configurar la hora. Presione la tecla **Timer (Temporizador)** nuevamente para configurar los minutos. Presione la tecla **Timer (Temporizador)** nuevamente para bloquear el tiempo. El reloj se sincronizará una vez que la unidad se encuentre conectada al Wi-Fi.

- Light (Luz):** Controla las luces. Presione la tecla **Light (Luz)** para encender las luces completamente. Presione la tecla **Light (Luz)** nuevamente y las luces se atenuarán. Presione la tecla **Light (Luz)** una tercera vez para apagar las luces.
- Chef Connect:** Mantenga presionada la tecla **Chef Connect** durante 3 segundos para activar el Bluetooth®. Ésta es una función de emparejamiento de Bluetooth® para utilizar con otros productos de uso compatible con Chef Connect en una superficie de cocción o cocina. Una vez emparejado el dispositivo, la luz y el ventilador se encenderán en las Configuraciones Sincronizadas por Omisión, al recibir una instrucción de la cocina o de la superficie de cocción. Permanecerá en ON (Encendida) en dicha configuración hasta que el usuario la cambie. Para más detalles, consulte la sección de Chef Connect.
- Reset Filter (Reinicio del Filtro):** El indicador LED rojo que se encuentra sobre la tecla **Reset Filter (Reinicio del Filtro)** se enciende como recordatorio de que es necesario cambiar/ limpiar el filtro. Mantenga presionada la tecla **Reset Filter (Reinicio del Filtro)** durante 3 segundos para apagar la misma. Presione la tecla Reset Filter (Reinicio del Filtro) nuevamente para comenzar a recalcular el tiempo. Mientras el indicador le recuerda al usuario que es necesario cambiar/ limpiar los filtros, los mismos deberán ser limpiados regularmente. Por favor, consulte la sección de Filtros.
- Wi-Fi:** Wi-Fi Mantenga presionada las teclas **Light (Luz)** y **Chef Connect** durante tres segundos para activar el modo Wi-Fi Connect. El símbolo de Wi-Fi que se encuentra sobre el reloj parpadea durante 3 segundos y luego queda fijo. Para más detalles, consulte la sección de Wi-Fi. En la función Remote (Remoto), presione **Wi-Fi** para pasar a esta función.
- Delay Off (Retraso Apagado) (Sólo Remoto):** Mantenga presionada la tecla **Delay Off (Retraso Apagado)** para pasar a esta función.

Chef Connect

Conexión de Bluetooth® al Funcionamiento de Chef Connect

Para emparejar con otro dispositivo:

A fin de iniciar el proceso de emparejamiento, mantenga presionado el botón **Chef Connect** durante 3 segundos. La luz de fondo de todos los íconos se iluminará hasta que la campana esté emparejada con la cocina u otro dispositivo. Si el emparejamiento es realizado con éxito, el símbolo de Bluetooth® que se encuentra sobre el reloj se encenderá y quedará fijo.

Se desactivará luego de 2 minutos si el emparejamiento no es completado. Luego de esto, la secuencia de emparejamiento deberá ser reiniciada.

Para cancelar el emparejamiento:

Para cancelar el emparejamiento, mantenga presionado el botón **Chef Connect** durante 3 segundos y luego apague la campana.

Configuraciones de Sincronización por Omisión:

La configuración por omisión de fábrica de la luz será la más brillante.

La configuración de fábrica por omisión para la sincronización del ventilador estará en OFF (Apagada).

El usuario podrá modificar las Configuraciones de Sincronización por Omisión manteniendo presionado el botón **Low (Baja)** durante 3 segundos. Esto permitirá ingresar a Default Settings Mode (Modo de Configuraciones por Omisión). Una vez en este modo, las luces de fondo de todos los botones parpadearán encendiéndose y apagándose de forma indefinida, y el ventilador y la luz pasarán a la Configuración de Sincronización por Omisión actual, de modo que el usuario sepa cuál es el valor por omisión actual. En este momento, configure la luz y el ventilador en los niveles por omisión deseados. Una vez que el usuario se encuentre satisfecho con la selección, mantenga presionado el botón **Off (Apagado)** durante 3 segundos. Esto hará que se abandone este modo. En este momento, las luces de fondo dejarán de parpadear y el estado del ventilador y de la luz volverán a cambiar a su estado anterior, antes de entrar en Default Settings Mode (Modo de Configuraciones por Omisión).

Conexión Wi-Fi

Conecte su campana con Conexión Habilitada de Wi-Fi (en algunos modelos)

Su campana de GE Appliances está diseñado para brindarle una comunicación recíproca entre su electrodoméstico y el dispositivo inteligente. Al usar las funciones de la conexión Wi-Fi de GE Appliances, usted podrá controlar funciones esenciales de su campana tales como las configuraciones de velocidad del ventilador, función de la luz, función del temporizador/ reloj, retraso apagado y reinicio del filtro utilizando su teléfono inteligente o tableta*.

Qué necesitará

Su campana de GE Appliances utiliza su red de Wi-Fi hogareña existente para realizar la comunicación entre el electrodoméstico y su dispositivo inteligente. A fin de configurar su campana de GE Appliances, usted necesitará reunir cierta información:

1. Cada campana de GE Appliances cuenta con una etiqueta informativa del electrodoméstico conectado, que incluye un Nombre y Contraseña de Red del Electrodoméstico. Estos son los dos detalles importantes que necesitará para conectar el electrodoméstico. La etiqueta está ubicada al costado de la unidad, detrás de los filtros.

Connected Appliance Information	
FCC ID: ZKJ-WCATA005	Network: *****
IC: 10229A-WCATA001	Password: *****
MAC ID: *****	

Ejemplo de Etiqueta

2. Su teléfono inteligente o tableta deben estar preparados con la capacidad de acceder a Internet y descargar aplicaciones.
3. Usted deberá conocer la contraseña del enrutador Wi-Fi de su hogar. Tenga esta contraseña a mano al configurar el campana de GE Appliances.

Conexión de su campana de GE Appliances

1. A través de su teléfono inteligente o tableta, visite www.GEAppliances.com/connect para aprender más sobre las funciones del electrodoméstico conectado y para descargar la aplicación correspondiente.
2. Siga las instrucciones en pantalla de la aplicación para conectar su campana de GE Appliances.
3. Una vez que el proceso se haya completado, la luz de conexión ubicada en la pantalla de su campana GE Appliances, permanecerá en sólido y la aplicación confirmará que usted está conectado.
4. Si la luz de conexión no se enciende o está titilando, siga las instrucciones en la aplicación para volver a realizar la conexión. Si continúan los problemas, comuníquese al 800.220.6899 y solicite asistencia en relación a la conectividad inalámbrica del campana.

Para conectar dispositivos inteligentes adicionales, repita los pasos 1 y 2.

Observe que todos los cambios o modificaciones al dispositivo de acceso remoto instalado en este campana que no están expresamente aprobados por el fabricante podrían anular la autoridad del usuario para operar el equipamiento.

* Se requiere el uso de dispositivos y de una red Wi-Fi hogareña que sean compatibles con Apple o Android.

Filtros

Asegúrese de que la energía eléctrica esté apagada y que todas las superficies estén frías antes de limpiar o arreglar cualquier pieza de la campana de ventilación.

Filtro de grasa metálico

Los filtros metálicos atrapan la grasa durante la cocción.

Filtro debe estar SIEMPRE en su lugar cuando la campana esté en funcionamiento. Los filtros de grasa son de uso seguro en lavavajillas y deberán ser limpiados cada mes, dependiendo del uso de la campana.

Para quitar:

Abra el panel de la tapa del filtro y desconecte el bloqueo del filtro para liberar este último.

Para volver a colocar:

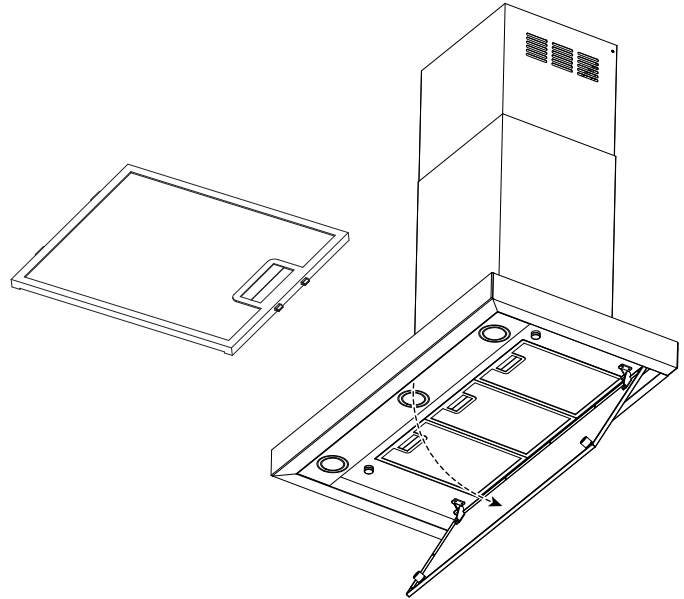
Calce las lengüetas en la parte trasera del filtro, en las ranuras de la parte trasera de la abertura del filtro. Levante el lado frontal del filtro y presione de forma suave hasta que el filtro quede bloqueado en su posición. Asegúrese de que el bloqueo del filtro esté en la posición cerrada para asegurar el filtro.

NOTA: El panel frontal cubre los filtros y deberá ser presionado hacia arriba y luego empujado hacia abajo para acceder a los filtros.

Para limpiar:

El filtro, utilice agua jabonosa caliente y enjuague con agua limpia o lávelo en el lavavajillas. No utilice productos de limpieza abrasivos.

NOTA: Cierta descoloración del filtro podrá producirse en el lavavajillas.



Filtro de carbón (Sólo Para Instalación con Recirculación)

Si el modelo no tiene ventilación hacia afuera, el aire será recirculado a través de un filtro de carbón descartable que ayude a retirar el humo y los olores.

NOTA: NO enjuague o coloque el filtro de carbón en el lavavajillas automático.

El filtro de carbón está incluido con la unidad. El mismo no puede ser limpiado; deberá ser reemplazado cuando el indicador LED del Filtro de Reinicio se encienda. Se recomienda que el filtro de carbón sea reemplazado cada entre 6 meses, o si se encuentra notoriamente sucio o descolorido.

Solicite el filtro de carbón UXCF91

Para consultar sobre la compra de filtros de carbón de repuesto o para encontrar la ubicación del distribuidor más cercano a su domicilio, llame a nuestro número gratuito:

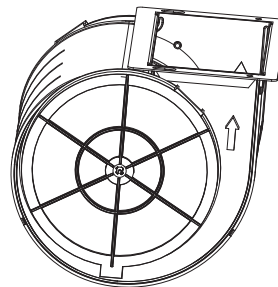
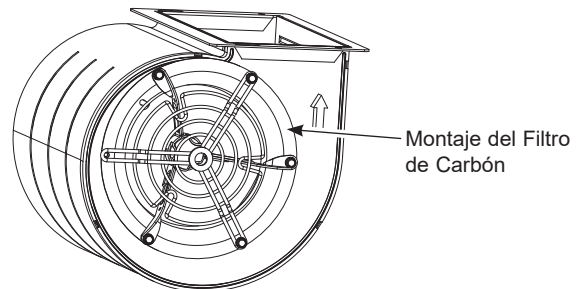
Centro nacional de piezas 800.626.2002

Para su instalación:

1. Retire los filtros metálicos – consulte la sección del filtro de grasa metálico.
2. Instale los montajes del filtro de carbón sobre cada lado del motor, usando tres tornillos por lado.
3. Inserte la lengüeta que se encuentra en el filtro de carbón dentro de la ranura triangular del montaje.
4. Enganche el filtro de carbón hasta que quede bloqueado.
5. Repita esto con el segundo filtro del otro lado del motor.
6. Reemplace los filtros metálicos – Consulte la sección del Filtro de Grasa Metálico.

Para su retiro:

1. Retire los filtros metálicos – consulte la sección del filtro de grasa metálico.
2. Desenganche el filtro de carbón presionando el sujetador para liberarlo.
3. Con cuidado retire el filtro de carbón de la lengüeta.



Superficies

Superficies de acero inoxidable (en algunos modelos)

No utilice almohadillas de acero porque rayan la superficie.

Para limpiar la superficie de acero inoxidable, utilice agua tibia jabonosa o un limpiador o lustrador de acero inoxidable. Siempre limpie la superficie en dirección de la veta. Siga las instrucciones del producto para limpiar la superficie de acero inoxidable. Los limpiadores con ácido oxálico tales como **Bar Keepers Friend Soft Cleanser™** eliminarán el óxido sobre la superficie, deslustres y pequeñas manchas. Para recibir un cupón para una muestra de **Bar Keepers Friend Soft Cleanser™**, ingrese al siguiente link o escanee el Código QR.

www.barkeepersfriend.com/ge



Use sólo un limpiador líquido libre de material abrasivo y frote en la dirección de las líneas del cepillo con una esponja suave y húmeda.

Para consultar sobre la compra de limpiadores o lustradores de aparatos de acero inoxidable, o para encontrar la ubicación del distribuidor más cercano, llame a nuestro número gratuito:

Centro nacional de piezas
800.626.2002

GEApplianceParts.com

Superficies Pintadas y de Color Negro Inoxidable (en algunos modelos)

No use virutas de acero u otros limpiadores abrasivos; estos rayarán la superficie.

De forma frecuente, limpie las superficies sucias de grasa. Para limpiar la superficie de la campana, use una tela caliente y húmeda con un detergente suave adecuado para superficies pintadas. Se puede agregar aproximadamente una chuchara sopera de amoníaco al agua. Use una tela limpia, caliente y húmeda para eliminar el jabón. Seque con una tela limpia y seca.

NOTA: Al realizar la limpieza, tenga cuidado de no tener contacto con los filtros y otras superficies no esmaltadas.

⚠ PRECAUCIÓN

Al limpiar las superficies de la campana, asegúrese de no tocar la lámpara con las manos húmedas o con una tela. Una lámpara tibia o caliente se puede romper si es tocada con una superficie húmeda. Siempre espere a que la lámpara se enfríe completamente antes de hacer la limpieza alrededor de la misma.

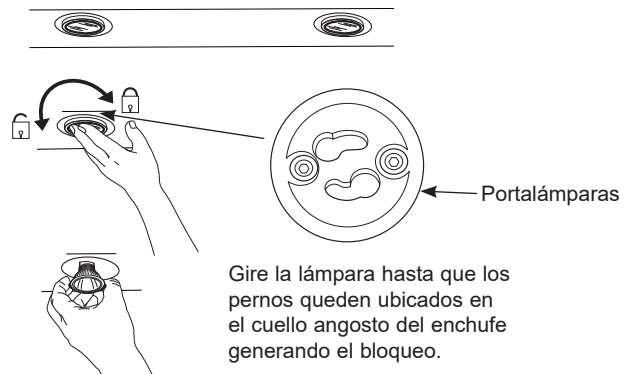
Lámparas

⚠ PRECAUCIÓN

Espera a que las lámparas se enfríen antes de tocar las mismas.

1. Antes de intentar reemplazar una lámpara, asegúrese de que su interruptor esté apagado.
2. Gire la lámpara en dirección contraria a las agujas del reloj para desbloquear y extraer la misma. Colocarse guantes de látex puede brindar un mejor agarre.
3. Reemplace por una lámpara nueva del mismo tipo, asegurándose de que las clavijas queden correctamente insertadas en las fichas del portalámparas y gire en dirección de las agujas del reloj para bloquear la lámpara.

Todas las lámparas deben ser compatibles con GU10.



Instrucciones de instalación

Campanas de Pared UVW9301, UUV9361

? “Ante cualquier duda, llame a GE Appliances al 800.GE.CARES (800.432.2737) o visite nuestro sitio Web en: GEAppliances.com”

ANTES DE COMENZAR

Lea estas instrucciones por completo y con detenimiento.

- **IMPORTANTE** — Guarde estas instrucciones para el uso de inspectores locales.
- **IMPORTANTE** — Cumpla con todos los códigos y ordenanzas vigentes.
- **Nota al instalador** – Asegúrese de dejar estas instrucciones con el Consumidor.
- **Nota al consumidor** – Conserve estas instrucciones para referencia futura.
- **Nivel de capacidad** – La instalación de esta campana de ventilación requiere capacidades mecánicas y eléctricas básicas.
- **Tiempo de compleción** – Aproximadamente entre 1 y 3 horas
- El instalador tiene la responsabilidad de efectuar una instalación adecuada.
- La Garantía no cubre las fallas del producto debido a una instalación incorrecta.

⚠PRECAUCIÓN

Debido al peso y tamaño de estas campanas de ventilación, y a fin de reducir el riesgo de lesiones personales o daños sobre el producto - **SE DEBERÁ CONTAR CON DOS PERSONAS PARA UNA INSTALACIÓN ADECUADA.**

PARA SU SEGURIDAD

⚠ADVERTENCIA

Antes de comenzar la instalación, desconecte la energía del panel de servicio y bloquee los medios de desconexión para evitar el accionamiento de la energía de manera accidental. Cuando los medios de desconexión de servicio no pueden bloquearse, coloque sobre el panel de servicio un dispositivo de advertencia bien visible, como una etiqueta.

⚠ADVERTENCIA

PARA REDUCIR EL RIESGO DE INCENDIO, DESCARGA ELÉCTRICA O LESIONES A PERSONAS, CUMPLA CON LOS SIGUIENTES PUNTOS:

- A. El trabajo de instalación y el cableado eléctrico deben ser realizados por una persona(s) calificada de acuerdo con todos los códigos y estándares aplicables, incluyendo construcciones resistentes al fuego.
- B. Es necesario contar con suficiente cantidad de aire para una combustión y salida de gases adecuadas a través del conducto (chimenea) del equipo de consumo de combustible, a fin de evitar ráfagas de aire. Siga las pautas del fabricante del equipo de calefacción y los estándares de seguridad, tales como aquellos publicados por la Asociación Nacional de Protección contra Incendios (National Fire Protection Association, NFPA), la Sociedad Estadounidense para la Calefacción (American Society for Heating), los Ingenieros de Refrigeración y Acondicionadores de Aire (Refrigeration and Air Conditioning Engineers, ASHRAE) y las autoridades de los códigos locales.
- C. Al cortar o perforar una pared o un cielorraso, no dañe el cableado eléctrico y de otros servicios ocultos.
- D. Los ventiladores con conducto siempre deben contar con ventilación hacia el exterior.
- E. Desconecte el disyuntor de habitaciones adyacentes mientras esté trabajando.

⚠ADVERTENCIA

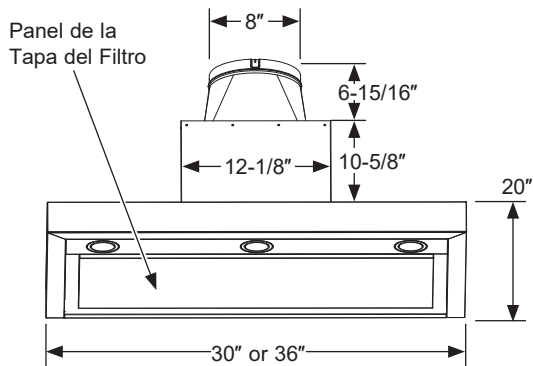
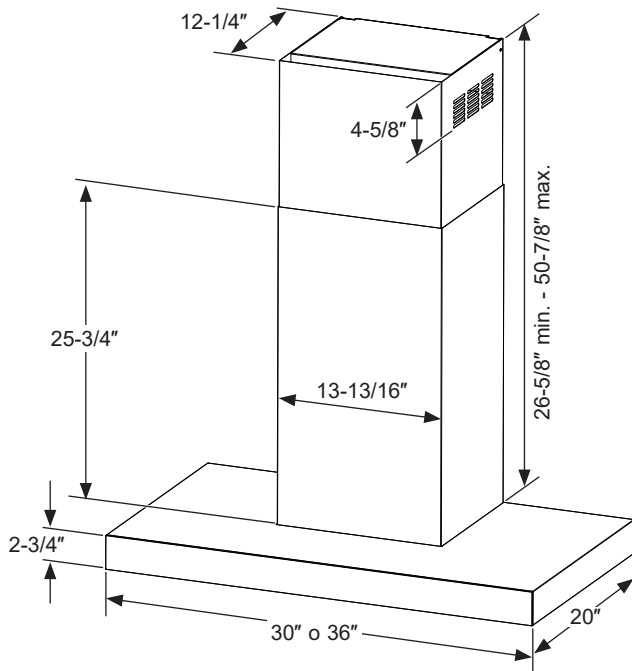
A FIN DE REDUCIR EL RIESGO DE INCENDIOS, USE SÓLO CONDUCTOS DE METAL.

⚠ADVERTENCIA

Desconecte toda la corriente eléctrica del disyuntor principal o de la caja de fusibles antes de la instalación.

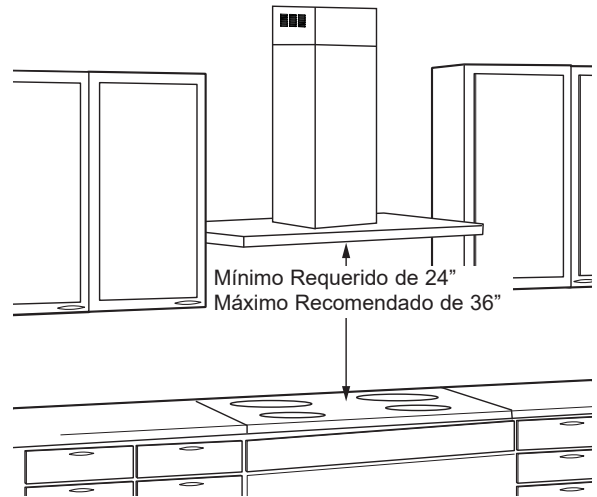
Preparación para la instalación

DIMENSIONES DEL PRODUCTO



ESPACIO DE INSTALACIÓN

Estas campanas de ventilación están diseñadas para ser instaladas en una pared sin gabinetes superiores.

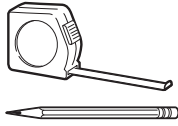


La campana de ventilación debe ser instalada entre el mínimo requerido de 24" y el máximo recomendado de 36" sobre la superficie de cocción. Para las alturas de cielorraso de las cubiertas de conductos, consulte las Tabla de Alturas de Instalación.

NOTA: La altura de instalación debe medirse desde la superficie de cocción hasta la parte más baja de la campana. La campana deberá ser instalada en la pared. Puede contar con ventilación hacia el exterior, o puede ser instalada para un funcionamiento con recirculación. Para un funcionamiento con recirculación, consulte la Planificación para la Instalación con Recirculación.

Preparación para la instalación

HERRAMIENTAS Y MATERIALES REQUERIDOS (NO SUMINISTRADOS)



Lápiz y cinta métrica



Gafas de seguridad



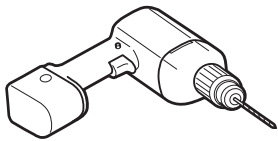
Destornillador de estrella



Nivel



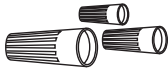
Alicate pelacables



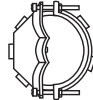
Taladro eléctrico con brocas Phillips n° 2 y de 1/8"



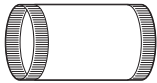
Cinta aislante de aluminio



Tapones de alambre aprobados por UL



Alivio de tensión para la caja de conexiones



Conducto circular de 8"
(la longitud variará)



Guantes

QUITE EL ENVOLTORIO

⚠ PRECAUCIÓN

Se guantes para protegerse de los bordes afilados.

- Quite las cubiertas de los conductos.
- Quite la bolsa de piezas, el paquete de instrucciones y otras piezas en cajas.
- Quite y descarte adecuadamente el envoltorio plástico de protección y otros materiales de empaque.

PLAN DE INSTALACIÓN

⚠ ADVERTENCIA

A fin de reducir riesgos de incendios y para que el aire salga de forma apropiada, asegúrese de que el aire sea conducido hacia fuera. No ventile el aire de la salida hacia espacios dentro de paredes o cielorrasos o áticos, espacios muy bajos o garajes.

PIEZAS PROVISTAS PARA LA INSTALACIÓN

- 1 Paquete de Herramientas
- 1 Paquete Escrito
- Conducto de Recirculación (para instalación con recirculación únicamente)
- Filtros de carbón (modo de recirculación)

PIEZAS NECESARIAS PARA LA INSTALACIÓN

- 1 Amortiguador de Refuerzo
- Una Tapa de Pared o Techo (para ventilación con conducto únicamente)
- Toda la Tubería Metálica (para ventilación con conducto únicamente)

⚠ ADVERTENCIA

! RIESGO DE LESIONES PERSONALES

Debido al peso y tamaño de la base de la campana extractora. Es recomendable que la campana extractora sea instalada por 2 personas. Si la campana no es elevada de forma correcta, se podrán producir daños sobre el producto o lesiones personales.

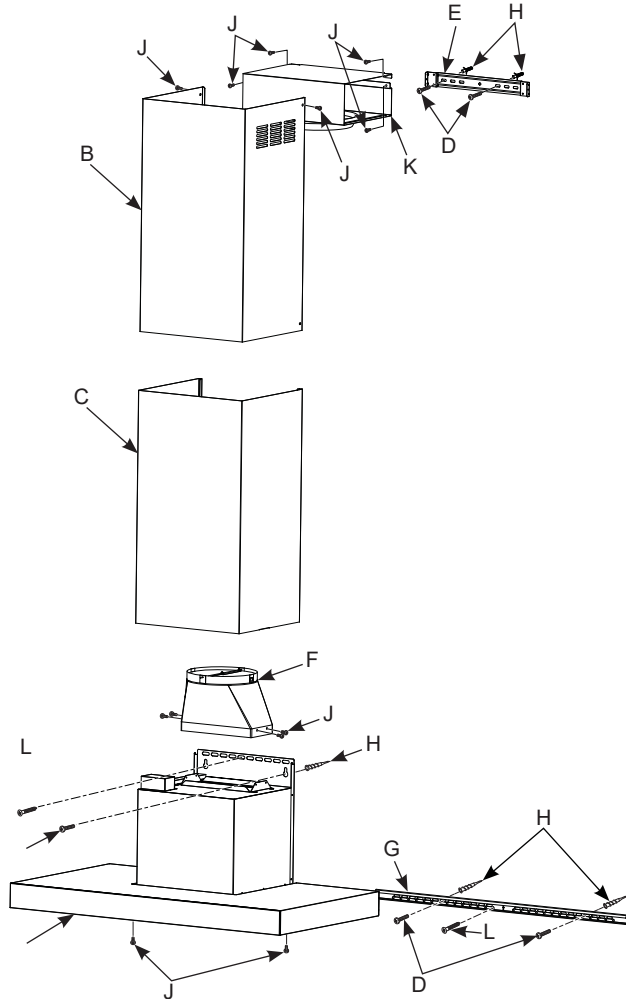
NOTA: Esta campana puede ser instalada con conducto o con recirculación. En una aplicación con conducto, esta campana puede ser ventilada a través de la pared o del cielorraso. Al ser instalada por recirculación, la campana ventila hacia afuera los costados de la cubierta del conducto.

NOTA: Antes de realizar cualquier corte o agujero para la instalación, determine qué método de ventilación será usado y con cuidado calcule todas las medidas.

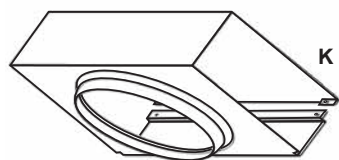
Preparación para la instalación

COMPONENTES DE LA CAMPANA EXTRACTORA

- A. Sección de la Base
- B. Cubierta del Conducto Superior
- C. Cubierta del Conducto Inferior
- D. Tornillos de Montaje
- E. Soportes de Montaje de la Cubierta del Conducto
- F. Regulador
- G. Soporte de Montaje de la Campana
- H. Anclaje del Montaje
- J. Tornillos para Metal
- K. Caja de Recirculación
- L. Tornillos de Madera

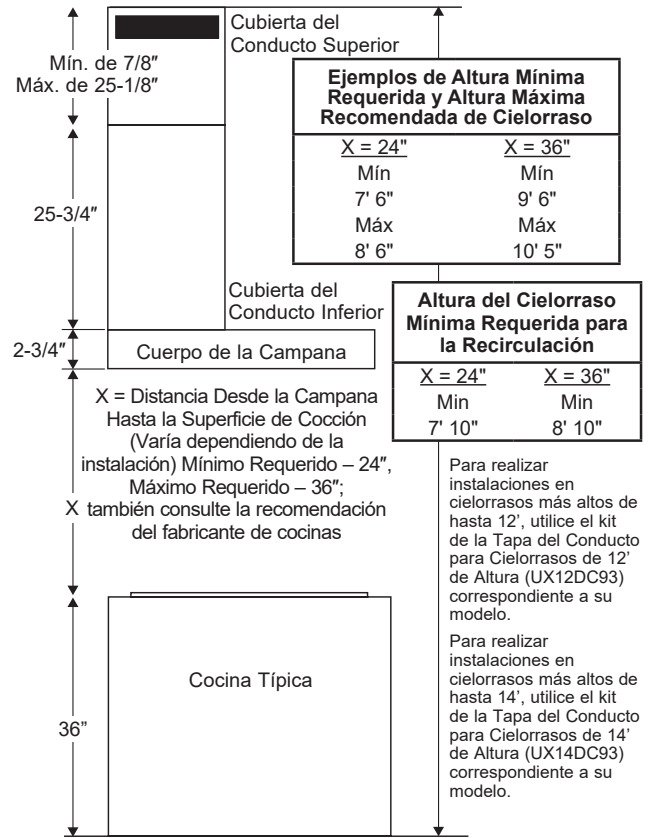


COMPONENTE DE RECIRCULACIÓN



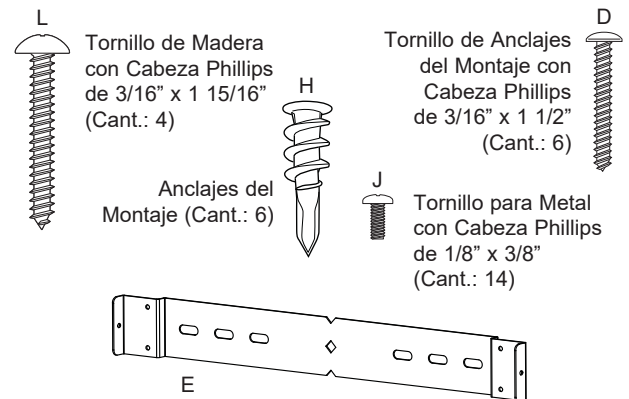
DIMENSIONES DE INSTALACIÓN

Las tapas de los conductos de las campanas de pared pueden ser ajustadas en diferentes alturas de cielorrasos, dependiendo de la distancia entre la parte inferior de la campana y la superficie de cocción (distancia X). Consulte la Tabla de Alturas de Instalación.



COMPONENTES DE LAS HERRAMIENTAS

NOTA: La extensión de la chimenea reemplaza la chimenea superior e inferior enviada con la campana de cocina. Las herramientas incluidas con la campana se deberán conservar y también usar con la extensión de la chimenea.

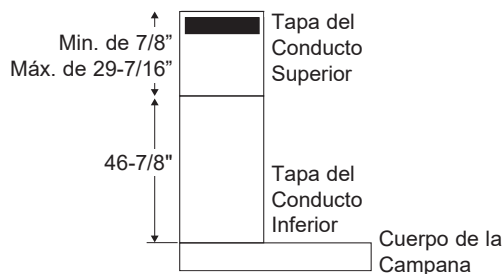


Preparación para la instalación

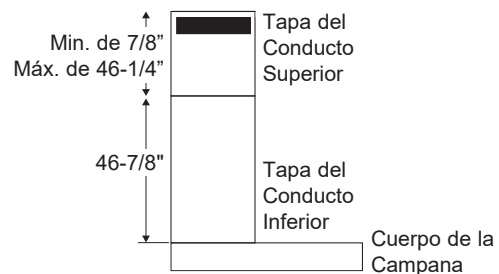
TABLA DE ALTURAS DE INSTALACIÓN				(UX12DC93SS or UX12DC93TS)		(UX14DC93SS or UX14DC93TS)	
Altura de Instalación con Tapas de Conductos Suministradas				Tapa del Conducto para Cielorrasos Altos Opcional de hasta 12 pies (no incluida con el kit)		Tapa del Conducto para Cielorrasos Altos Opcional de hasta 14 pies (no incluida con la unidad)	
Altura del Cielorraso (pies/pulg.)	Altura Posible de Instalación Ventilada (pulg.)	Altura Posible de Instalación Ventilada (Recirculación ventilada con Agujero Oculto) (pulg.)	Altura Posible de Instalación con Recirculación (pulg.)	Altura del Cielorraso (pies/pulg.)	Altura Ventilada y con Recirculación (pulg.)	Altura del Cielorraso (pies/pulg.)	Altura de Instalación Ventilada y con Recirculación (pulg.)
7' 6"	24	24		9' 3"	24	12'	24-36
7' 7"	24-25	24-25		9' 4"	24-25	12' 1"	24-36
7' 8"	24-26	24-26		9' 5"	24-26	12' 2"	24-36
7' 9"	24-27	24-27		9' 6"	24-27	12' 3"	24-36
7' 10"	24-28	24-28	24	9' 7"	24-28	12' 4"	24-36
7' 11"	24-29	24-29	24-25	9' 8"	24-29	12' 5"	24-36
8'	24-30	24-30	24-26	9' 9"	24-30	12' 6"	24-36
8' 1"	24-31	24-31	24-27	9' 10"	24-31	12' 7"	24-36
8' 2"	24-32	24-32	24-28	9' 11"	24-32	12' 8"	24-36
8' 3"	24-33	24-33	24-29	10'	24-33	12' 9"	24-36
8' 4"	24-34	24-34	24-30	10' 1"	24-34	12' 10"	24-36
8' 5"	24-35	24-35	24-31	10' 2"	24-35	12' 11"	24-36
8' 6"	24-36	24-36	24-32	10' 3"	24-36	13'	24-36
8' 7"	24-36	24-36	24-33	10' 4"	24-36	13' 1"	25-36
8' 8"	24-36	24-36	24-34	10' 5"-11' 3"	24-36	13' 2"	26-36
8' 9"	24-36	24-36	24-35	11' 4"	24-36	13' 3"	27-36
8' 10"	24-36	24-36	24-36	11' 5"	24-36	13' 4"	28-36
8' 11"	24-36	24-36	24-36	11' 6"	24-36	13' 5"	29-36
9'	24-36	24-36	24-36	11' 7"	24-36	13' 6"	30-36
9' 1"	24-36	24-36	24-36	11' 8"	25-36	13' 7"	31-36
9' 2"	24-36	25-36	24-36	11' 9"	26-36	13' 8"	32-36
9' 3"	24-36	26-36	24-36	11' 10"	27-36	13' 9"	33-36
9' 4"	24-36	27-36	24-36	11' 11"	28-36	13' 10"	34-36
9' 5"	24-36	28-36	24-36	12'	29-36	13' 11"	35-36
9' 6"	25-36	29-36	25-36			14'	36
9' 7"	26-36	30-36	26-36				
9' 8"	27-36	31-36	27-36				
9' 9"	28-36	32-36	28-36				
9' 10"	29-36	33-36	29-36				
9' 11"	30-36	34-36	30-36				
10'	31-36	35-36	31-36				
10' 1"	32-36	36	32-36				
10' 2"	33-36		33-36				
10' 3"	34-36		34-36				
10' 4"	35-36		35-36				
10' 5"	36		36				

*Basado en la altura de una cocina eléctrica de 36".

Para cocinas a gas, inicie el cuadro en 92" y reste 2" para conocer la altura de instalación máxima de cada bloque.



Kit de la Tapa del Conducto para Cielorrasos de 12" de Altura



Kit de la Tapa del Conducto para Cielorrasos de 14" de Altura

Preparación para la instalación

PLANIFICACIÓN PREVIA

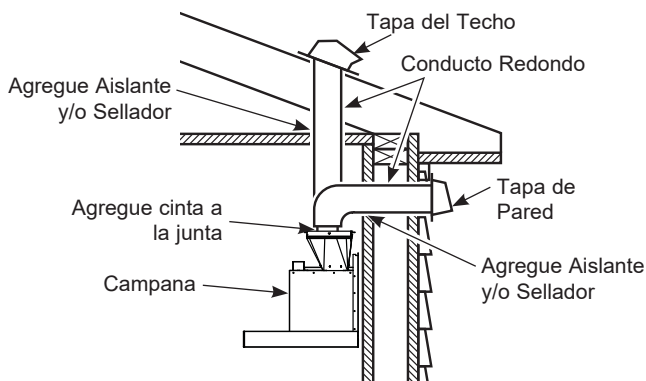
Planificación para la Instalación con Conducto

- Esta campana está diseñada para ventilarse en forma vertical a través del cielorraso. Use un conducto circular de 8". Utilice codos suministrados en forma local para ventilación horizontal a través de la pared trasera.
- Determine la ubicación exacta de la campana de ventilación.
- Planifique el recorrido de la salida de ventilación hacia el exterior. A fin de maximizar el rendimiento de la ventilación del sistema de ventilación:
 1. Minimice la longitud del conducto y el número de transiciones y codos.
 2. Mantenga un tamaño de conducto constante.
 3. Selle todas las juntas con cinta para conductos a fin de evitar pérdidas.

NOTA: No se recomienda una ventilación flexible. La ventilación flexible crea una presión trasera y turbulencia del aire que reduce el rendimiento significativamente.

- Longitud máxima equivalente del conducto para 100 CFM: 150 pies para campanas de ventilación.
- Instale una cubierta de pared o casquete de techo con un regulador de tiro en la abertura exterior. Solicite por adelantado la cubierta de pared o el casquete de techo y cualquier transición o longitud de conducto necesarios.
- Cuando corresponda, instale un sistema de reposición (reemplazo) de aire de acuerdo con los requisitos del código local de construcción. Use el kit de aire de reposición JXMUA8.

El sistema de ventilación puede desembocar a través del techo o de la pared. Para ventilar a través de una pared, es necesario un codo de 90° que se encuentre instalado inmediatamente sobre la campana.



Planificación de Instalación con Recirculación

Un conducto de recirculación (incluido) y un filtro de carbón (incluido) son necesarios para la instalación con recirculación.

Planificación del Suministro de Corriente

La ubicación de la conexión del suministro de corriente está señalizada en la sección de Instalación del Montaje del Soporte de la Campana.

SUMINISTRO DE ENERGÍA

IMPORTANTE – (Tenga a bien leer cuidadosamente)

⚠ ADVERTENCIA

PARA SEGURIDAD PERSONAL, ESTE APARATO DEBE CONECTARSE A TIERRA DE MANERA ADECUADA.

Quite el fusible o abra el interruptor de circuitos antes de comenzar la instalación.

No utilice un cable de extensión o un enchufe adaptador con este artefacto. Siga los Códigos Eléctricos Nacionales o códigos y ordenanzas locales vigentes.

Suministro eléctrico

Estas campanas de ventilación deben contar con un suministro de 120V, 60Hz, deben estar conectadas a un circuito derivado individual con una adecuada conexión a tierra y deben contar con la protección de un interruptor de circuitos o un fusible con retraso de 15 o 20 amperios.

- El cableado debe ser de 2 hilos con conexión a tierra.
- Si el suministro eléctrico no cumple con los requisitos anteriores, llame a un electricista con licencia antes de continuar.
- Dirija el cableado doméstico lo más cerca posible a la ubicación de la instalación, en el cielorraso o pared trasera. Ver página 14 para más detalles.
- Conecte el cableado al cableado doméstico en cumplimiento con los códigos locales.

Instrucciones de conexión a tierra

El conductor a tierra debe conectarse a un metal con conexión a tierra, un sistema de cableado permanente o una terminal o conductor de conexión a tierra del equipamiento en la campana.

⚠ ADVERTENCIA

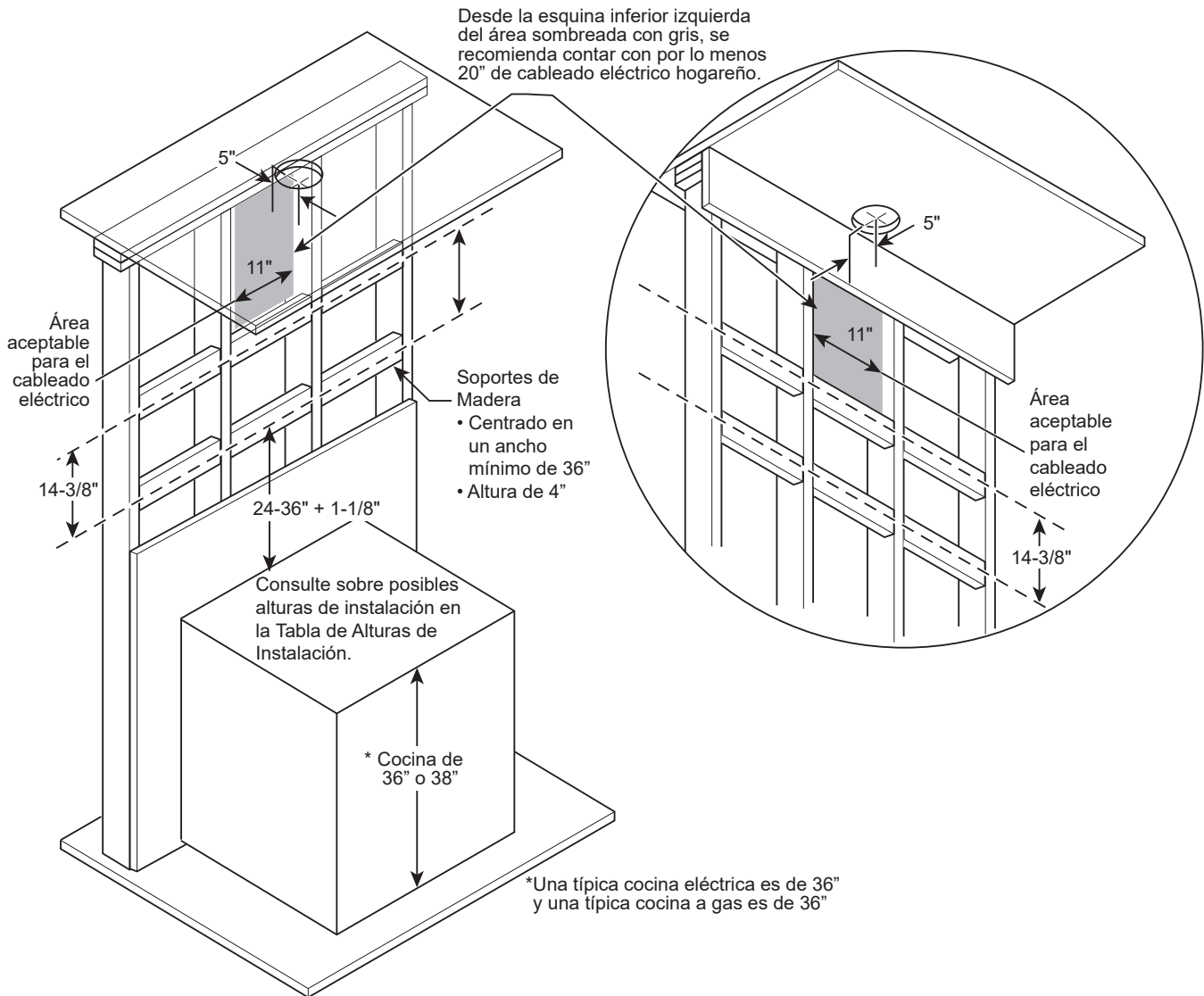
Una conexión inadecuada del conductor de conexión a tierra del equipamiento puede provocar un riesgo de descarga eléctrica. Consulte a un electricista calificado o representante de servicio técnico si tiene dudas sobre la correcta conexión a tierra del artefacto.

Instalación

NUEVA CONSTRUCCIÓN, PLANIFICACIÓN PREVIA O REMODELACIÓN

NOTA: Para construcciones existentes, pase a la sección de Instalación del Montaje del Soporte de la Campana.

- Instale soportes de madera horizontales entre 2 montajes de pared que se alineen con las ubicaciones de la altura del montaje vertical mostrado en la ilustración.
- Los soportes horizontales deberán estar nivelados con los montajes laterales de la sala.
- Para una instalación con conducto, el agujero del conducto en el cielorraso deberá estar centrado a 5" de distancia de la pared trasera de finalización.
- El soporte inferior se alinea con el soporte de montaje de la campana. La altura depende de la altura deseada de la campana.
- El soporte superior deberá estar nivelado con el cielorraso.
- El cableado eléctrico podrá estar ubicado a 5 ½" hacia la izquierda o la derecha (la caja de empalmes se encuentra del lado izquierdo) de la línea central. Deberá permanecer a 7/16" sobre el panel trasero y a 5" desde el cielorraso; consulte la ilustración en la siguiente página.

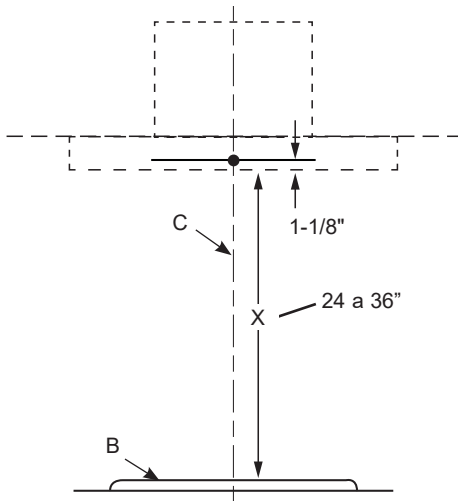


Instalación

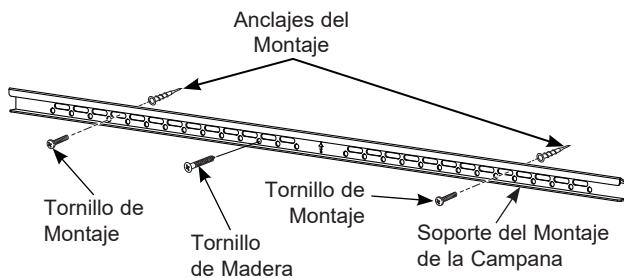
INSTALACIÓN DEL MONTAJE DEL SOPORTE DE LA CAMPANA

Cuerpo de la Campana

1. Coloque una tapa protectora sobre la superficie que se encuentra debajo de la ubicación de la campana, a fin de proteger la misma de la suciedad y/o daños.
2. Determine y marque la línea central (C) sobre la pared (dibuje una línea hacia arriba hasta el cielorraso) donde la campana de la cocina será instalada. En base a la altura del cielorraso, determine la distancia entre el mínimo requerido de 24" y el máximo (X) recomendado de 36" entre la superficie de cocción (B) y la parte inferior de la campana. Dibuje una línea horizontal en X. Alinee la plantilla de instalación de modo que la parte inferior de la plantilla se encuentre centrada y esté nivelada con la línea horizontal dibujada en la altura X.

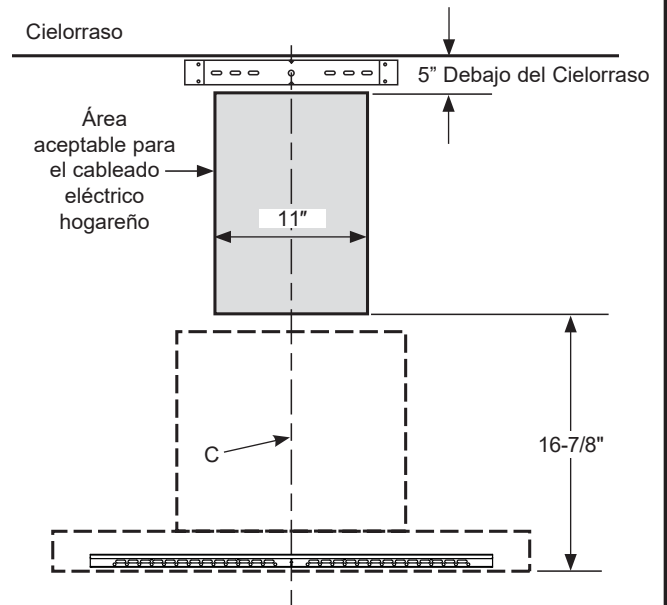


3. Busque las ubicaciones de los montajes y marque los mismos sobre la plantilla.
4. Coloque el soporte de montaje de la campana (G) en el contorno de la plantilla. Marque por lo menos la ubicación de un tornillo de madera (L) que se encuentre en el montaje. Si no es posible encontrar otro montaje, marque por lo menos otras dos ubicaciones de tornillos para el montaje de los anclajes, una a cada lado del tornillo de madera (L). Retire el soporte de la pared e instale los anclajes del montaje (H). Vuelva a colocar el soporte del montaje de la campana (G) en la pared y monte el mismo con los tornillos de madera (L) y los tornillos de montaje (D) según sea necesario. Se recomienda crear un agujero piloto en los montajes para los tornillos de madera (L).



Tapas del Conducto y Suministro de Corriente

1. Coloque el soporte de la tapa del conducto (E) en la pared, de modo que su extremo se encuentre contra el cielorraso y nivelado, asegurándose de que las ranuras se encuentren en contacto directo con la pared. Alinee las aberturas centrales del soporte y de la línea central. Marque la ubicación de los agujeros de los tornillos tan lejos de la línea central como sea posible. Si uno de los agujeros de los tornillos está alineado con un montaje, entonces se usará un tornillo de madera para dicha ubicación. Para el otro agujero o si no hay montajes, instale los 2 anclajes del montaje (H). Coloque el soporte de la tapa del conducto (E) en la pared e instale el mismo con tornillos de madera (L) y tornillos de montaje (D) según sea necesario.
2. El cableado eléctrico del hogar deberá pasar por el área sombreada de gris que se muestra a continuación. Desde la esquina inferior izquierda del área sombreada, se recomienda un mínimo de 20" de cableado eléctrico hogareño para llegar hasta la caja de empalmes de la campana.



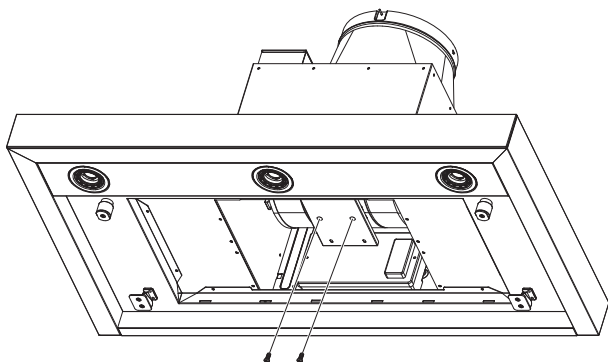
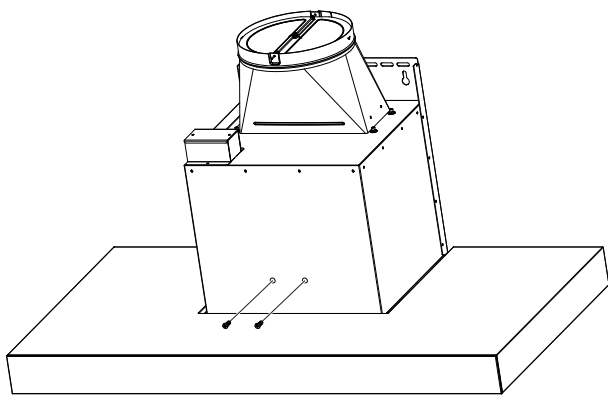
INSTALACIÓN DE LA CAMPANA

Retire los filtros de grasa de la unidad y deje los mismos a un costado. Los filtros de grasa deben ser retirados presionando la manija ubicada en el frente del filtro. Al realizar el reemplazo, asegúrese de que los filtros queden correctamente posicionados con las manijas en frente y visibles.

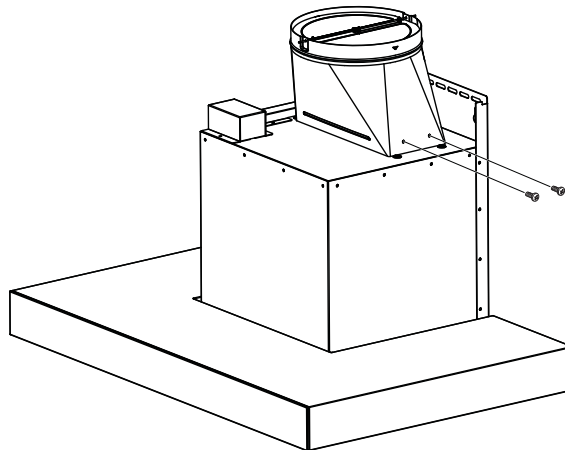


NOTA: En algunos modelos, el panel frontal cubre los filtros y debe ser presionado hacia abajo para acceder a estos.

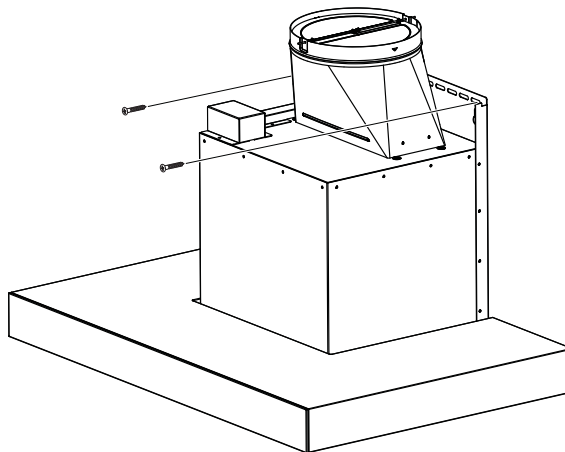
NOTA: Este soporte deberá ser retirado antes de la instalación. Retire los 2 tornillos frontales y los 2 inferiores, de acuerdo con la siguiente ilustración.



1. De forma segura, presione el regulador ubicado en la parte superior de la abertura del extractor. Controle que el regulador se abra libremente. Adhiera el regulador a la campana, usando los tornillos para metal (J) provistos.



2. Retire y descarte de forma adecuada el envoltorio plástico protector de la campana y engrase el filtro. Retire la plantilla de la pared.
3. Monte la Campana de la Cocina:
 - Entre 2 o más personas, levanten la campana de la cocina y coloquen la misma sobre el soporte del montaje de la campana. Asegúrese de que el soporte se adhiera completamente al cuerpo de la campana.
 - Instale los 2 tornillos de montaje (D) o tornillos de madera (L), según sea necesario, en los agujeros designados del panel trasero.

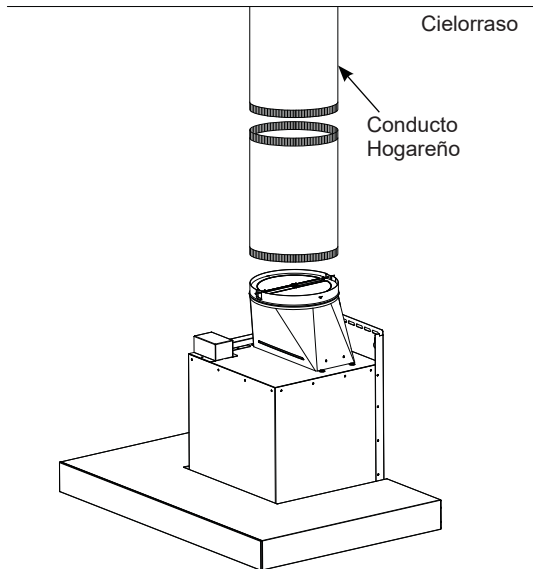


Instalación

INSTALACIÓN DE LA CAMPANA (Cont.)

A Instalaciones Ventiladas

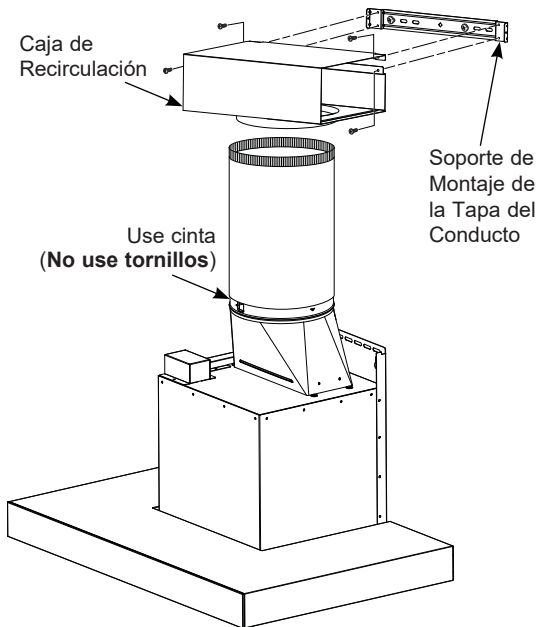
Conecte el conducto hogareño al regulador ubicado en el cuerpo de la campana. Selle todas las conexiones con cinta para conductos (**No use tornillos**).



B Recirculación (No ventilada)

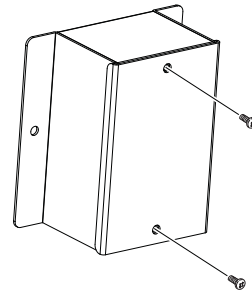
NOTA: Una caja de recirculación, un filtro de carbón, y un soporte se encuentran incluidos con la campana y son necesarios para la instalación de la recirculación.

1. Adhiera la caja de recirculación al conducto sobre el soporte del montaje con 4 tornillos para metal (J).
2. Conecte el conducto desde la salida del extractor de la campana hasta la caja de recirculación. Use cinta de conductos para sellar todas las conexiones de la caja de recirculación y la salida del extractor.

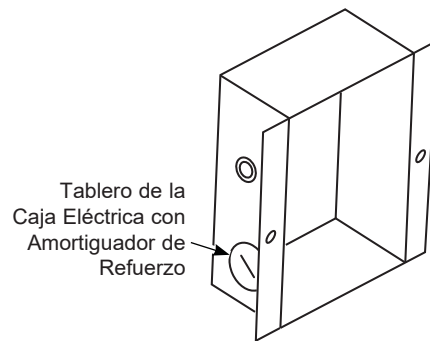


CONEXIÓN ELÉCTRICA

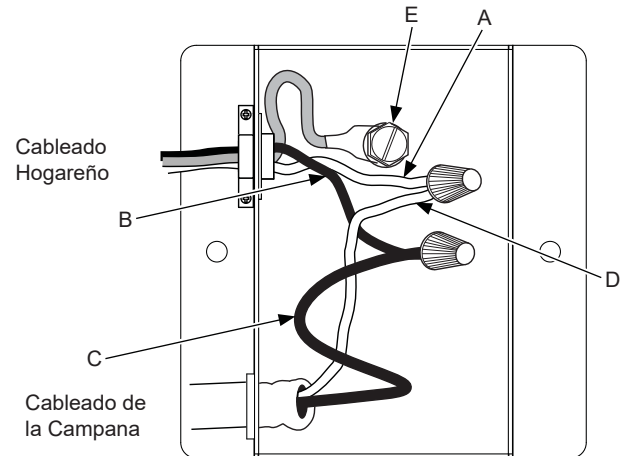
1. Retire la tapa de la caja de empalmes eléctricos.



2. Retire el tablero de la caja eléctrica.



3. Alimente el Cable de Suministro Eléctrico a través del agujero y asegure el mismo con un amortiguador de refuerzo.
4. Adhiera el cable blanco del suministro de corriente (A) al cable blanco de la campana extractora (D) con una tuerca para cable. Adhiera el cable negro del suministro de corriente (B) al cable negro de la campana extractora (C) con una tuerca para cable. Conecte el cable a tierra verde (E) (verde y amarillo) debajo del tornillo de conexión a tierra verde.



5. Vuelva a colocar la tapa de la caja de empalmes eléctricos.

INSTALACIÓN DE LAS TAPAS DE LOS CONDUCTOS

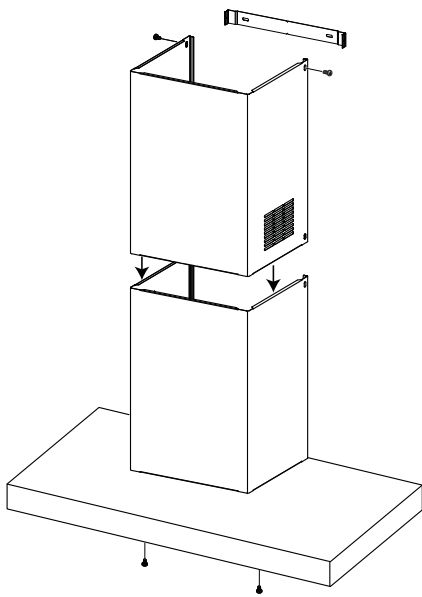
1. Para la instalación con conducto y recirculación:

Retire la capa protectora de las tapas del conducto. Coloque la tapa del conducto superior, de modo que se deslice dentro de la tapa del conducto inferior.

NOTA: Para la recirculación, la tapa del conducto superior deberá ser instalada con las ventilaciones del extractor en la parte superior hacia el cielorraso.

Dependiendo de la cantidad de superposición entre las tapas de los conductos superior e inferior, la parte superior puede ser invertida a fin de ocultar los agujeros de la ventilación. Consulte sobre posibles alturas en la Tabla de Alturas de Instalación.

Coloque el conjunto de tapas de conductos, calzando las mismas de forma segura sobre la parte superior de la campana. Termine de adherir la tapa del conducto inferior al cuerpo de la campana con dos tornillos para metal (J) que se enrosquen desde arriba en la parte que se encuentra debajo de la campana.



2. Instale la tapa del conducto superior elevando la misma de forma cuidadosa a fin de evitar rayones, hasta que alcance el cielorraso. Presione la tapa del conducto de forma nivelada contra la pared; luego use dos tornillos para metal (J) para montar el conducto superior al soporte del montaje del conducto.
3. Si usará la recirculación, instale los filtros de carbón. Luego vuelva a instalar los filtros de grasa a la campana; consulte la sección de Filtros.
4. Encienda el suministro de corriente. Encienda el calefactor y la luz. Si la campana de la cocina no funciona, controle que el disyuntor no se haya desconectado o que el fusible hogareño se haya quemado. Si la unidad aún no funciona, desconecte el suministro de corriente y controle que las conexiones del cableado hayan sido realizadas de forma correcta.

Instalación

TECNOLOGÍA DE REPOSICIÓN DE AIRE

Nota para los Instaladores e Inspectores: Este producto está equipado con una función de instalación simple que limita los niveles máximos de CFM, a fin de cumplir con ciertos códigos o regulaciones locales. Es posible que este método de instalación no sea necesario en todas las instalaciones; para acceder a más pautas, por favor consulte sus códigos locales.

⚠️ PRECAUCIÓN

La campana deberá ser desconectada de la alimentación de corriente principal siguiendo las instrucciones de conversión que figuran a continuación. Si no se siguen estos pasos, se podrán producir lesiones personales o daños sobre el producto.

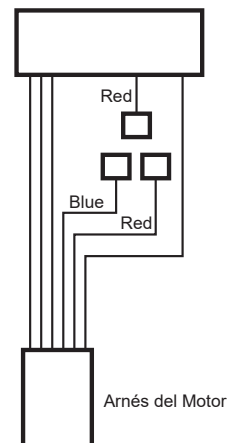
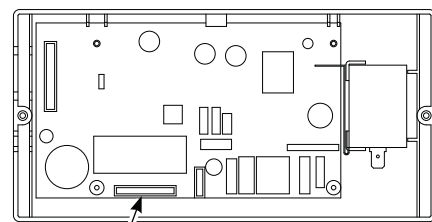
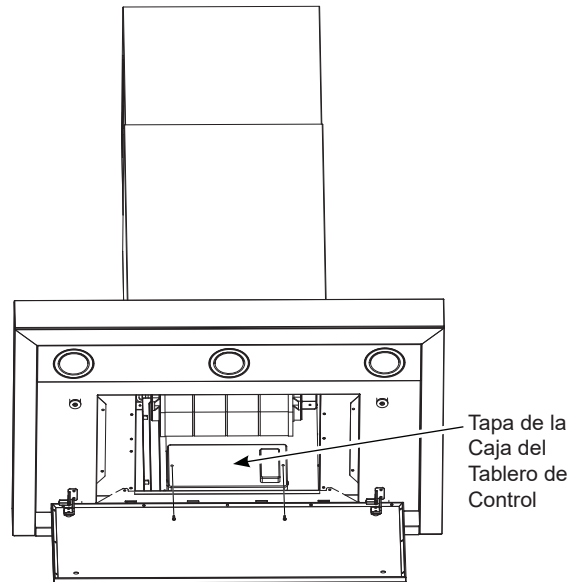
A fin de modificar la unidad (si es necesario para cumplir con los códigos locales):

390CFM o 290CFM

Por diseño, la velocidad máxima del calefactor es superior a los 400 CFM. Si los códigos locales requieren una reducción de los CFM, modifique el cableado como se describe a continuación:

1. Abra el panel de la tapa del filtro y retire los filtros.
2. Retire la tapa de la caja del tablero de control.
3. Ubique el arnés del motor enchufado al tablero de control.
4. **A - Para un máximo de 390 CFM, la unidad puede funcionar en 4 velocidades (Baja, Media, Alta, Aumentada).**
 1. Desconecte el conector del cable azul del cable rojo.
 2. Conecte los 2 cables rojos juntos.
 3. Desconecte el conector azul no utilizado y ondule el extremo si así lo desea.
- B - Para un máximo de 290 CFM, la unidad puede funcionar en 3 velocidades (Baja, Media, Alta).**
 1. Desconecte el conector del cable azul del cable rojo.
 2. Desconecte el conector azul no utilizado y ondule el extremo si así lo desea.
5. Vuelva a adherir la tapa de la caja del tablero de control e instale los Filtros; consulte la sección de Filtros.

Nota para los Inspectores: A fin de verificar que este producto fue instalado en una de estas configuraciones, controle las conexiones del cableado del motor de acuerdo con la descripción previa.



Consejos para la Solución de Problemas... Antes de solicitar el servicio técnico

¡Ahorre tiempo y dinero! Primero revise los cuadros que aparecen en las siguientes páginas y es posible que no necesite solicitar reparaciones.

Problema	Causas posibles	Qué hacer
El Ventilador/ la Luz no funciona cuando el botón está en ON (Encendido)	El fusible puede haberse quemado o el interruptor de circuitos puede haber saltado.	Cambie los fusibles o reconfigure el interruptor de circuitos.
Ruido de flujo de aire muy elevado o anormal	Tamaño de conducto incorrecto utilizado en la instalación.	Esta campana requiere un conducto de 8" para funcionar de manera óptima. El uso de un conducto más pequeño hará que la ventilación se reduzca. Minimice la longitud del conducto y el número de transiciones y codos. Los técnicos de GE Appliances no pueden corregir este problema si hay una instalación inadecuada.
El ventilador no hace circular aire o desplaza el aire más despacio que lo normal y/o hace ruido de flujo de aire elevado o anormal	Obstrucciones en el conducto.	Verifique que no haya obstrucciones en la ventilación. Controle que la cubierta de pared o casquete de techo tengan una hoja o puerta.
	La hoja del regulador de tiro de la cubierta de pared o casquete de techo puede estar cerrada.	Asegúrese de que el regulador de tiro se mueva libremente. Las hojas del regulador de tiro pueden darse vuelta y no se abrirán por completo cuando esto suceda. Ajustela con la posición original.
	El filtro de grasa metálico y el filtro de carbón (si lo hubiera) pueden estar sucios.	Limpie el filtro de grasa metálico y vuelva a colocar el filtro de carbón (si lo hubiera). Ver Cuidado y limpieza de la campana de ventilación.
	Insuficiente reposición (reemplazo) de aire	Se requiere suficiente reposición (reemplazo) de aire para que los artefactos con salida de aire funcionen de acuerdo con sus calificaciones energéticas. Controle los códigos locales de construcción, que podrán requerir o aconsejar enfáticamente el uso de reposición de aire. Para acceder soluciones de aire disponibles, visite GEAppliances.com .
Falla temprana de la lámpara	El voltaje de la lámpara es demasiado alto.	Reemplace la misma por una con el voltaje correcto.
El ventilador continúa encendiéndose y apagándose.	Es posible que el motor se esté sobrecalentando y apagando solo. Esto puede ser nocivo para el motor.	Asegúrese de que los filtros estén limpios. Si el ciclo de encendido y apagado continúa, comuníquese al servicio técnico.
La campana no funciona de forma remota	Problemas en el enrutador, no hay señal inalámbrica, etc.	Para solicitar asistencia para la conectividad de la red inalámbrica de la campana, por favor comuníquese al 800.220.6899.
	La campana no se encuentra conectada.	

Garantía de la Cocina Eléctrica de GE Appliances

GEAppliances.com

Todo el servicio de garantía es provisto por nuestros Centros de Servicio de Fabricación, o un técnico autorizado de Customer Care®. Para programar una visita del servicio técnico a través de Internet, visítenos en www.geappliances.com/service_and_support/, o llame al 800.GE.CARES (800.432.2737). Cuando llame para solicitar el servicio, tenga los números de serie y modelo disponibles.

Para realizar el servicio técnico de su electrodoméstico, se podrá requerir el uso de datos del puerto de abordaje para su diagnóstico. Esto da al técnico del servicio de fábrica de GE Appliances la habilidad de diagnosticar de forma rápida cualquier problema con su electrodoméstico, y de ayudar a GE Appliances a mejorar sus productos al brindarle a GE Appliances la información sobre su electrodoméstico. Si no desea que los datos de su electrodoméstico sean enviados a GE Appliances, solicitamos que le indique a su técnico no entregar los datos a GE Appliances en el momento del servicio.

Por el Período de	GE Appliances reemplazará
Un Año Desde la fecha de la compra original	Cualquier pieza del producto de cocción que falle debido a un defecto en los materiales o la fabricación. Durante esta garantía limitada de un año , GE Appliances también proveerá, sin costo , todo el trabajo y costos del servicio relacionados con el reemplazo de la pieza defectuosa.

Qué no cubrirá GE Appliances:

- Viajes del técnico del servicio a su hogar para enseñarle sobre cómo usar el producto.
- Instalación, entrega o mantenimiento inadecuados.
- Fallas del producto en caso de abuso, mal uso, modificación o uso para propósitos diferentes al original o uso comercial.
- Reemplazo de fusibles de la casa o reinicio de disyuntores.
- Daños ocasionados sobre el producto por accidente, incendio, inundaciones o catástrofes naturales.
- Daños incidentales o consecuentes causados por posibles defectos sobre este producto.
- Daños sobre el acabado, tales como óxido sobre la superficie, deslustres o manchas pequeñas no informadas dentro de las 48 horas luego de la entrega.
- Daño causado después de la entrega.
- Producto no accesible para brindar el servicio requerido.
- Marcas o manchas (incluyendo manchas de óxido sobre la superficie) que pueden ser eliminadas siguiendo las instrucciones de limpieza.
- Solicite el servicio técnico para reparar o reemplazar las lámparas, excepto las lámparas LED.

EXCLUSIÓN DE GARANTÍAS IMPLÍCITAS

Su única y exclusiva alternativa es la reparación del producto, como se indica en la Garantía Limitada. Las garantías implícitas, incluyendo garantías implícitas de comerciabilidad o conveniencia sobre un propósito particular, se limitan a un año o al período más corto permitido por la ley.

Abroche su recibo aquí. Para acceder al servicio técnico de acuerdo con la garantía deberá contar con la prueba de la fecha original de compra.

Esta garantía se extiende al comprador original y a cualquier dueño subsiguiente de productos comprados para uso hogareño dentro de EE.UU. Si el producto está en un área donde no se encuentra disponible un Proveedor Autorizado del Servicio Técnico de GE Appliances, usted será responsable por el costo de un viaje o se podrá requerir que traiga el producto a una ubicación del Servicio Técnico de GE Appliances autorizado para recibir el servicio. En Alaska, la garantía excluye el costo de envío o llamadas del servicio a su hogar. Algunos estados no permiten la exclusión o limitación de daños fortuitos o consecuentes. Esta garantía le da derechos legales específicos y es posible que tenga otros derechos legales que varían entre un estado y otro. Para conocer cuáles son sus derechos legales, consulte a la oficina de asuntos del consumidor local o estatal o al Fiscal de su estado.

Garante: GE Appliances, a Haier company

Garantías Extendidas: Adquiera una garantía extendida de GE Appliances y conozca los descuentos especiales que están disponibles mientras su garantía aún está vigente. Puede acceder a la misma a través de Internet en cualquier momento en

www.geappliances.com/service_and_support/shop-for-extended-service-plans.htm

o llamando al 800.626.2224 durante el horario comercial. Los Servicios para los GE Appliances aún estarán disponibles cuando su garantía caduque.

Accesorios

¿Busca Algo Más?

GE Appliances ofrece una variedad de accesorios para mejorar sus experiencias de cocción y mantenimiento!

Para acceder a números telefónicos e información de sitios Web, consulte la página de Soporte para el Consumidor.

Estos y otros productos están disponibles:

Piezas

Kit del Cable de Corriente

Kit de Aire de Reposición

Filtro de Carbón

Kit de Recirculación

Control Remoto

Kit de la Tapa del Conducto para Cielorrasos de 12' de Altura

Kit de la Tapa del Conducto para Cielorrasos de 14' de Altura

Suministros de Limpieza

Limpiadores de Acero Inoxidable CERAMA BRYTE®

Limpiador para Electrodomésticos de Acero Inoxidable CERAMA BRYTE®

Bar Keepers Friend Soft Cleanser™

Soporte para el Consumidor

Sitio Web de GE Appliances

¿Desea realizar una consulta o necesita ayuda con su electrodoméstico? ¡Intente a través del Sitio Web de GE Appliances las 24 horas del día, cualquier día del año! Usted también puede comprar más electrodomésticos maravillosos de GE Appliances y aprovechar todos nuestros servicios de soporte a través de Internet, diseñados para su conveniencia.

En EE.UU.: GEAppliances.com

Registre su Electrodoméstico

¡Registre su electrodoméstico nuevo a través de Internet, según su conveniencia! Un registro puntual de su producto permitirá una mejor comunicación y un servicio más puntual de acuerdo con los términos de su garantía, en caso de surgir la necesidad. También puede enviar una carta en la tarjeta de inscripción preimpresa que se incluye con el material embalado.

En EE.UU.: GEAppliances.com/register

Servicio Programado

El servicio de reparación de expertos de GE Appliances está a sólo un paso de su puerta. Conéctese a través de Internet y programe su servicio a su conveniencia cualquier día del año. En EE.UU.: GEAppliances.com/service o comuníquese al 800.432.2737 durante el horario de atención comercial.

Garantías Extendidas

Adquiera una garantía extendida de GE Appliances y conozca los descuentos especiales que están disponibles mientras su garantía aún está vigente. La puede adquirir en cualquier momento a través de Internet. Los servicios de GE Appliances aún estarán allí cuando su garantía caduque.

En EE.UU.: GEAppliances.com/extended-warranty

o comuníquese al 800.626.2224 durante el horario de atención comercial.

Conectividad Remota

Para solicitar asistencia para la conectividad de red inalámbrica (para modelos con acceso remoto), visite nuestro sitio web en GEAppliances.com/connected-home-smart-appliances/ o comuníquese al 800.220.6899 en EE.UU.

Piezas y Accesorios

Aquellos individuos calificados para realizar el servicio técnico de sus propios electrodomésticos podrán solicitar el envío de piezas o accesorios directamente a sus hogares (se aceptan las tarjetas VISA, MasterCard y Discover). Ordene hoy a través de Internet durante las 24 horas, todos los días. En EE.UU.: GEApplianceparts.com o de forma telefónica al 877.959.8688 durante el horario de atención comercial.

Las instrucciones que figuran en este manual cubren los procedimientos que serán realizados por cualquier usuario. Otros servicios técnicos generalmente deben ser derivados a personal calificado del servicio. Se deberá tener cuidado, ya que una reparación indebida podrá hacer que el funcionamiento no sea seguro.

Contáctenos

Si no se encuentra satisfecho con el servicio que recibió de GE Appliances, comuníquese con nosotros a través de nuestro sitio Web con todos los detalles, incluyendo su número telefónico, o escriba a:

En EE.UU.: General Manager, Customer Relations | GE Appliances, Appliance Park | Louisville, KY 40225

GEAppliances.com/contact