

Top Mount Refrigerators

FGTR2042T D/F/P/E

20.4 Cu. Ft. Top Mount



Product Dimensions

Height (Including Hinges & Rollers)	69"
Width	29-5/8"
Depth (Including Door)	31-3/4"

More Easy-To-Use Features

Full-Width Glass Freezer Shelf
Organize items in your freezer better so you can find foods quickly and easily clean up spills.

SpillSafe® Shelves
Designed to keep spills contained, making cleanup a breeze.

Bright LED Lighting
Find food faster in your refrigerator and freezer with bright LED lighting.

Smudge-Proof™ Stainless Steel²
Resists fingerprints and cleans easily.

Ice-Ready
Our refrigerator is ice-ready so you have the flexibility to easily add an icemaker later. If you decide you want one.

Full-Width Deli Drawer
Offers you another storage option that is conveniently located so you have easy access to foods such as deli meat and cheeses.

Available in:



¹Compared to 18 cu. ft. top mount refrigerators.
²Select models only.

Signature Features



Over 100 Ways to Organize
Our SpaceWise® Organization System offers 100 ways to organize with the Custom-Flex™ Door.



Same Width. More Capacity.¹
With a 20 cu.ft. top freezer refrigerator, you can have a refrigerator that fits the same space as an 18 cu.ft. top freezer refrigerator, but get more capacity.

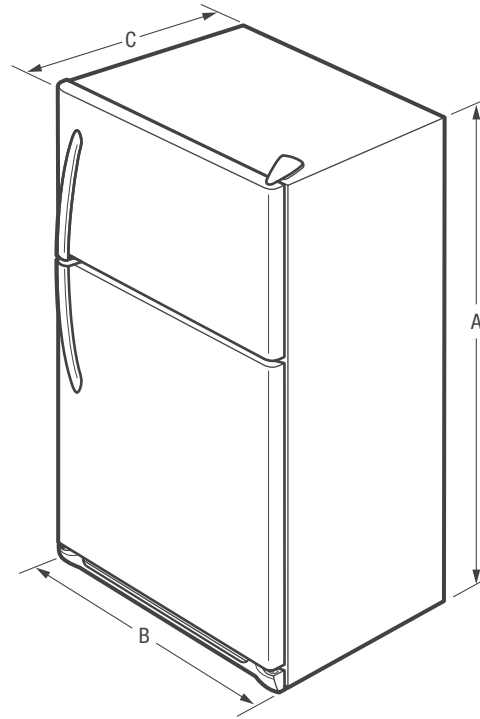


Humidity-Controlled Crisper Drawers
Our humidity-controlled crisper drawers are designed to keep your fruits and vegetables fresh so you don't have to worry about stocking up.



Custom-Flex™ Door Bins & Accessories
The Custom-Flex™ Door comes with 4 different bins and accessories so you can customize your door. It includes one Large, two Medium and one Small Bin.

Features	
Door Design	UltraSoft™
Door Handle Design	Color-Coordinated
Cabinet Finish (Textured)	Black (D), Grey (F), Color-Coordinated (P/E)
Door Stops	Yes
Door Hinge Covers	Black (D), Grey (F), Color-Coordinated (P/E)
Door Reverse Option	Yes
Rollers - Front/Rear	Adjustable/Yes
Sound Package	
Toe Grille	Black (D), Grey (F), Color-Coordinated (P/E)
Refrigerator Features	
Custom-Flex™ Door	Yes
Interior Lighting	LED
Refrigerator Shelves	2 Full-Width SpillSafe®
Deli Drawer	1 Full-Width
Store-More™ Crisper Drawers	2 Clear
Humidity Controls	2
Dairy Compartment	
Fixed Door Bins	1 Full-Width White
Custom-Flex™ Door Accessories	1-Small, 2-Medium, and 1-Large Bin
Door Racks	
Non-Slip Bin Liner	
Freezer Features	
Door Bins	2 Full-Width Clear
Door Racks	
Freezer Shelves	1 Full-Width Glass
Factory Ice Maker w/ Large Ice Bin	Optional (PN# IM116)
Lighting	LED
Specifications	
Total Capacity (Cu. Ft.)	20.4
Refrigerator Capacity (Cu. Ft.)	15.3
Freezer Capacity (Cu. Ft.)	5.1
Power Cord Location	Right Bottom Rear
Water Inlet Connection Location	Bottom Right
Voltage Rating	120V/60Hz
Connected Load (kW Rating) @ 120 Volts¹	0.54
Amps @ 120 Volts	6.0
Minimum Circuit Required (Amps)	15
Shipping Weight (Approx.)	220 Lbs.



¹For use on adequately wired 120V, dedicated circuit having 2-wire service with a separate ground wire. Appliance must be grounded for safe operation.

Product Dimensions	
A - Height (Incl. Hinges & Rollers)	69"
B - Width	29-5/8"
C - Depth (Incl. Door)	31-3/4"
Depth with Door Open 90°	60"

NOTE: For planning purposes only. Always consult local and national electric and plumbing codes. Refer to Product Installation Guide for detailed installation instructions on the web at frigidaire.com.



Optional Accessories	Part Number
Custom-Flex™ Mini Bin	5304496497
Custom-Flex™ Small Bin	5304496498
Custom-Flex™ Medium Bin	5304496499
Custom-Flex™ Large Bin	5304496500
Custom-Flex™ Dairy Bin	5304496501
Custom-Flex™ Can Dispenser	5304496503

Accessories information available on the web at frigidaire.com

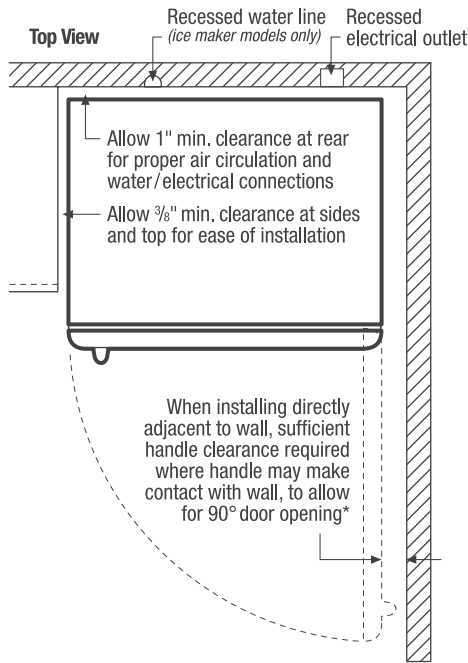
FRIGIDAIRE

USA • 10200 David Taylor Drive • Charlotte, NC 28262 • 1-800-FRIGIDAIRE • frigidaire.com
CANADA • 5855 Terry Fox Way • Mississauga, ON L5V 3E4 • 1-800-265-8352 • frigidaire.ca

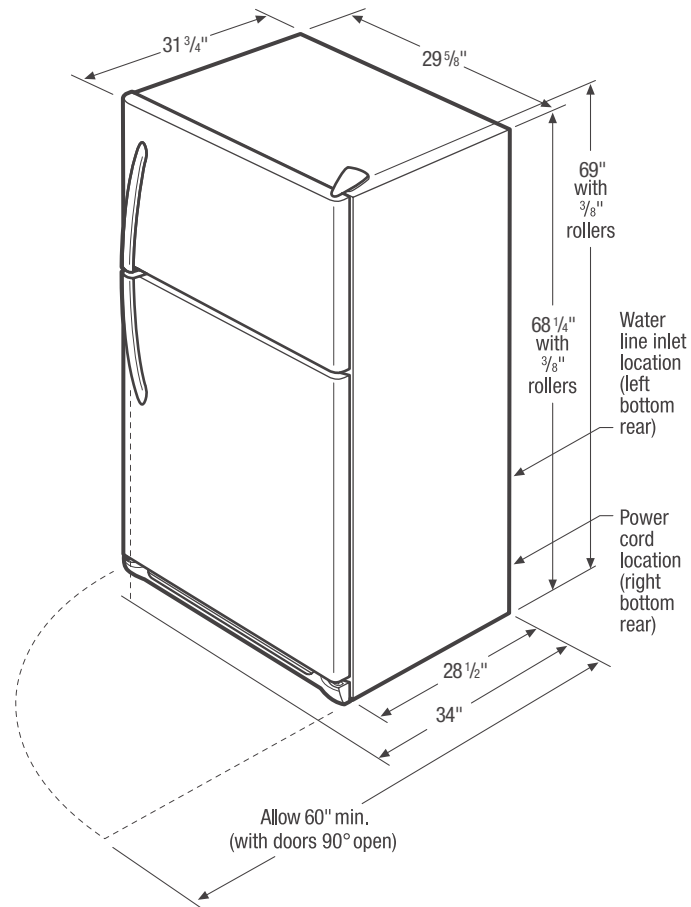
FGTR2042T 06/17

© 2017 Electrolux Home Products, Inc.

Specifications subject to change.



* When installing refrigerator adjacent to wall, cabinet or other appliance that extends beyond front edge of unit, 20" minimum clearance recommended to allow for optimum 140° door swing, providing complete crisper access and removal. (Absolute 3" minimum clearance will ONLY allow for 90° door swing which will provide limited crisper access with restricted removal.)



Top Mount Refrigerator Specifications

- Product Shipping Weight (approx.) - 220 Lbs.
- An electrical supply with grounded three-prong receptacle is required. The power supply circuit must be installed in accordance with current edition of National Electrical Code (NFPA 70) and local codes & ordinances.
- Voltage Rating - 120V / 60 Hz
- Connected Load (kW Rating) @ 120 Volts = 0.54 kW
- Amps @ 120 Volts = 6.0 Amps
- Always consult local and national electric & plumbing codes.
- Floor should be level surface of hard material, capable of supporting fully loaded refrigerator.
- Minimum 3/8" clearance required for sides and top of refrigerator with 1" clearance at rear to allow for ease of installation, proper air circulation, and plumbing/electrical connections.
- When installing refrigerator adjacent to wall, cabinet or other appliance that extends beyond front edge of unit, 20" minimum clearance recommended to allow for optimum 140° door swing, providing complete crisper access and removal. (Absolute 3" minimum clearance will ONLY allow for 90° door swing which will provide limited crisper access with restricted removal.)
- To ensure optimum performance, do not install in areas where temperature drops below 55° F or rises above 110° F and avoid installing in direct sunlight or close proximity to range, dishwasher or other heat source.
- For proper ventilation, front grille MUST remain unobstructed.
- Recess electrical outlet when possible.
- Optional Ice Maker Kit (PN# IM116) available for installation in ice maker-ready models only.
- Water recess on rear wall recommended to prevent water line damage.
- Water Pressure - Cold water line must provide between 30 and 100 pounds per square inch (psi).
- Copper tubing with 1/4" O.D. recommended for water supply line with length equal to distance from rear of unit to household water supply line plus 7 additional feet. Optional Water Supply Installation Kits available.
- Adjustable front rollers to assist with door alignment.

Note: For planning purposes only. Refer to Product Installation Guide on the web at frigidaire.com for detailed instructions.

Optional Accessories

- Ice Maker Kit - (PN# IM116).