



Evo, Inc.
 20560 SW 115th Ave.
 Tualatin, OR 97062
 P 503-626-1802 • F 503-213-5869
 www.evoamerica.com

Model# 10-0021

Evo® Professional Tabletop - Residential

Gas Circular Flattop Grill

OUTDOOR



Circular Flattop Grill Designed To Create A Social Cooking Space At Home

- 30" (762mm) circular black seasoned steel cooking surface.
- Two circular temperature zones: inner and outer surface.
- Variable temperatures 225°F to 550°F (121°C to 288°C).
- With LP Propane gas 48,000 BTUs.
- With Natural Gas 48,000 BTUs.
- Knobs separately control inner and outer burners.
- Electronic push button ignition.
- LP Propane gas standard, and Natural Gas option.

Designed To Setup And Cook Outdoors

- Easy set-up on picnic or banquet table.
- Heat shield prevents heat from damaging table top.
- Stainless steel tank sleeve conceals gas tank.
- Quick release removable cook surface and drip pan.

Easy Operation, Easy Maintenance, Easy Cleanup

- Cooking techniques: sauté, braise, flattop (plancha) grilling, pan fry, roast, poach, steam, toast.
- Cooking surface is extremely durable and easy to clean.
- Stainless steel burners are protected against spill overs.
- Stainless steel drip pan surrounds cook surface with side mounted spill collection tray.

SHORT FORM SPECIFICATIONS:

The Evo Professional Tabletop has a 30" (762mm) diameter black seasoned steel cook surface heated underneath by inner and outer gas tube burners. Surface temperatures range from 225°F to 550°F (121°C to 288°C) from the center to the outside edge. A stainless steel drip pan completely surrounds the underside of the cook surface catching all food debris. The Professional Tabletop is the ideal grill for creating a social cooking space at home or on the road. Available with either Natural Gas or LP Propane.

Data

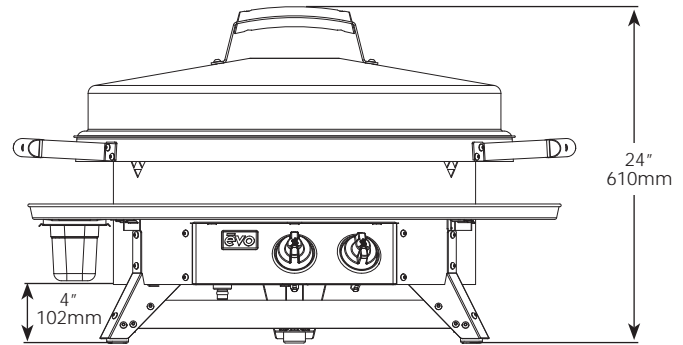
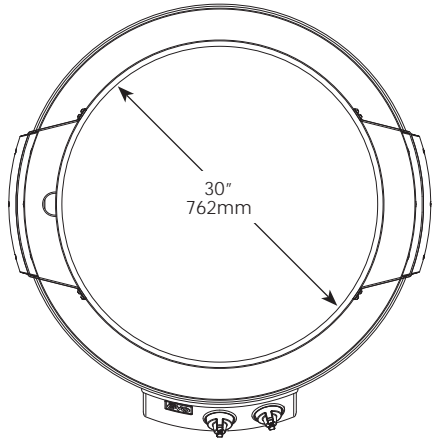
| Model | Cook Surface | Dimensions | | BTU Rate | Net Weight | Ship Weight |
|---------|--------------|------------|------------|------------------------|------------------|------------------|
| | | H | W | | | |
| 10-0021 | 30 Inches | 14" 356mm | 40" 1016mm | NG 48,000 LP 48,000 | 117 lbs 53 kg | 181 lbs 82 kg |

Due to ongoing product improvement, specifications are subject to change without notice.





Model# **10-0021** **Evo® Professional Tabletop - Residential**



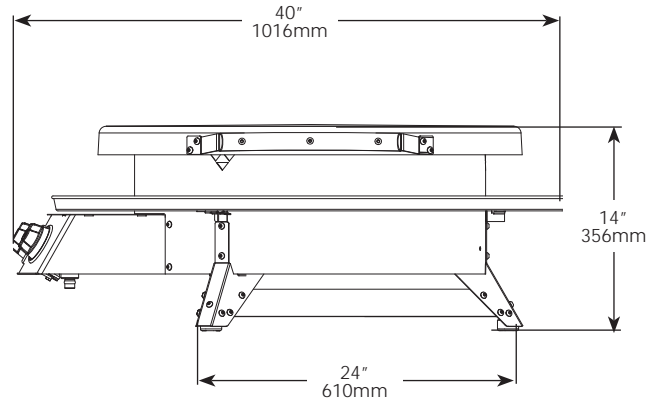
Optional Accessories



Vinyl Cover
For Protection
12-0103-AC



Ceramic Coating Upgrade
For Easy Maintenance
11-0001-UG



| | |
|--|--|
| INSTALLATION REQUIREMENTS | |
| Cooking surface must be installed level. Outdoor installation with minimum 12" (305mm) to adjacent combustible construction extended above the top of the appliance: 12" (305mm) from sides and 12" (305mm) from back. | |
| NATURAL GAS CONNECTION | LP PROPANE CONNECTION |
| OPERATING PRESSURE No regulator, connect to an outlet pressure of 7" water column. INLET / SUPPLY CONNECTION 1/2" FNPT. 12' Hose with 1/2" FNPT Quick Disconnect Supplied. 1/2" NPT to 3/8" Flare supplied. BTUs: 48,000 CONNECTION LOCATION Under Front Control Panel. | OPERATING PRESSURE Regulator is set for an outlet pressure of 11" water column. INLET / SUPPLY CONNECTION 1/2" FNPT Inlet. 5' Hose & Regulator with QCC1 Supplied. 1/2" NPT to 3/8" Flare supplied. BTUs: 48,000 CONNECTION LOCATION Under Front Control Panel. |
| DIMENSIONS | WEIGHT |
| MAXIMUM (H X W) 24" x 40" with hood (610mm x 1016mm) 14" x 40" without hood (356mm x 1016mm) COOK SURFACE 30" diameter (762mm) | NET: 117 lb EST. (53 kg) SHIP: 181 lb EST (82 kg) CRATE DIMENSIONS: 40" x 40" x 34" (1016mm x 1016mm x 864mm) |
| STANDARD FEATURES | ACCESSORIES INCLUDED |
| <ul style="list-style-type: none"> • 30" circular black seasoned steel cook surface over dual independent manually controlled gas burners. • Quick release removable cook surface and drip pan. • Electronic push button ignition. • Stainless steel lid. | <ul style="list-style-type: none"> • Professional grill surface cleaning kit (3M brand) - Includes handle, cook surface cleaning pad and screen. • 2 stainless steel spatulas, 1 stainless steel scraper, stainless steel cleaner and protectant. • Owner's Manual, Use and Care Instructions & Evo Color Illustrated Cookbook. |