



# 9,000 BTU/H SINGLE ZONE OUTDOOR UNIT

SUBMITTAL COVER SHEET

PROJECT NAME \_\_\_\_\_

LOCATION \_\_\_\_\_

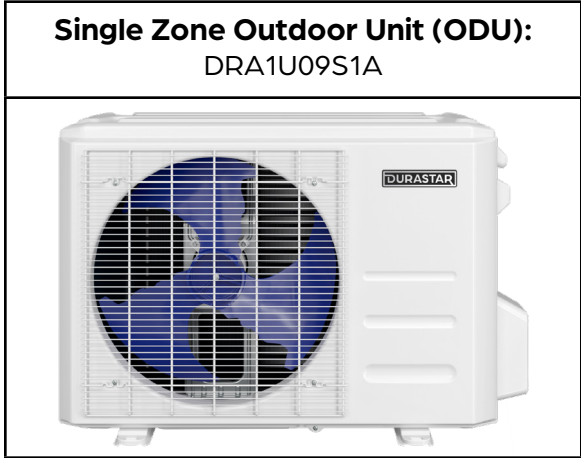
ARCHITECT \_\_\_\_\_

ENGINEER \_\_\_\_\_

CONTRACTOR \_\_\_\_\_

REFERENCE \_\_\_\_\_

SUBMITTED BY \_\_\_\_\_ DATE \_\_\_\_\_



| CAPACITIES                |                    |       |
|---------------------------|--------------------|-------|
| Cooling Capacity (BTU/hr) | Rated <sup>1</sup> | 9000  |
|                           | Minimum            | 3600  |
|                           | Maximum            | 10300 |
| Heating Capacity (BTU/hr) | Rated <sup>2</sup> | 9800  |
|                           | Minimum            | 3500  |
|                           | Maximum            | 11500 |

| EFFICIENCY DATA |      |
|-----------------|------|
| SEER            | 22.8 |
| EER             | 14   |
| HSPF            | 11.5 |

### PRODUCT FEATURES

- Variable Speed Inverter Compressor
- Auto Restart
- Base Pan Heater

| OUTDOOR TEMPERATURE OPERATION |                                     |
|-------------------------------|-------------------------------------|
| Cooling                       | -13 °F - 122 °F<br>(-25 °C - 50 °C) |
| Heating                       | -13 °F - 86 °F<br>(-25 °C - 30 °C)  |

| ELECTRICAL DATA                             |                          |
|---|--------------------------|
| Voltage/Phase/Frequency                     | 208-230V, 1 Phase, 60 Hz |
| Voltage Range                               | 187-253V                 |
| Recommended Breaker (Amps)                  | 15                       |
| Minimum Circuit Ampacity (Amps)             | 10                       |
| Minimum Wire Size                           | 16 AWG                   |
| Rated Current - Cooling (Amps) <sup>1</sup> | 2.9                      |
| Rated Current - Heating (Amps) <sup>2</sup> | 4.2                      |

<sup>1</sup> Measured at 95 °F.  
<sup>2</sup> Measured at 47 °F.





## 9,000 BTU/H SINGLE ZONE OUTDOOR UNIT

SPECIFICATIONS – DRA1U09S1A

| SYSTEM DATA              |               |
|--------------------------|---------------|
| Refrigerant Type         | R-410A        |
| Refrigerant Charge (oz.) | 38.8          |
| Oil Type                 | VG74          |
| Oil Charge (oz.)         | 12.5 (370 ml) |
| Design Pressure (PSIG)   | 550/340       |

| LINE SET REQUIREMENTS                                    |                 |
|--|-----------------|
| Connection Type  | Flare           |
| Liquid   | Ø1/4" (Ø6.35mm) |
| Gas  | Ø3/8" (Ø9.52mm) |
| Pre-Charge Length  | 25'             |
| Maximum Length   | 82'             |
| Minimum Length (One Indoor Unit)                         | 10'             |
| Max. Height Differential Between Indoor and Outdoor Unit | 33'             |
| Additional Refrigerant (oz/ft)                           | 0.16            |

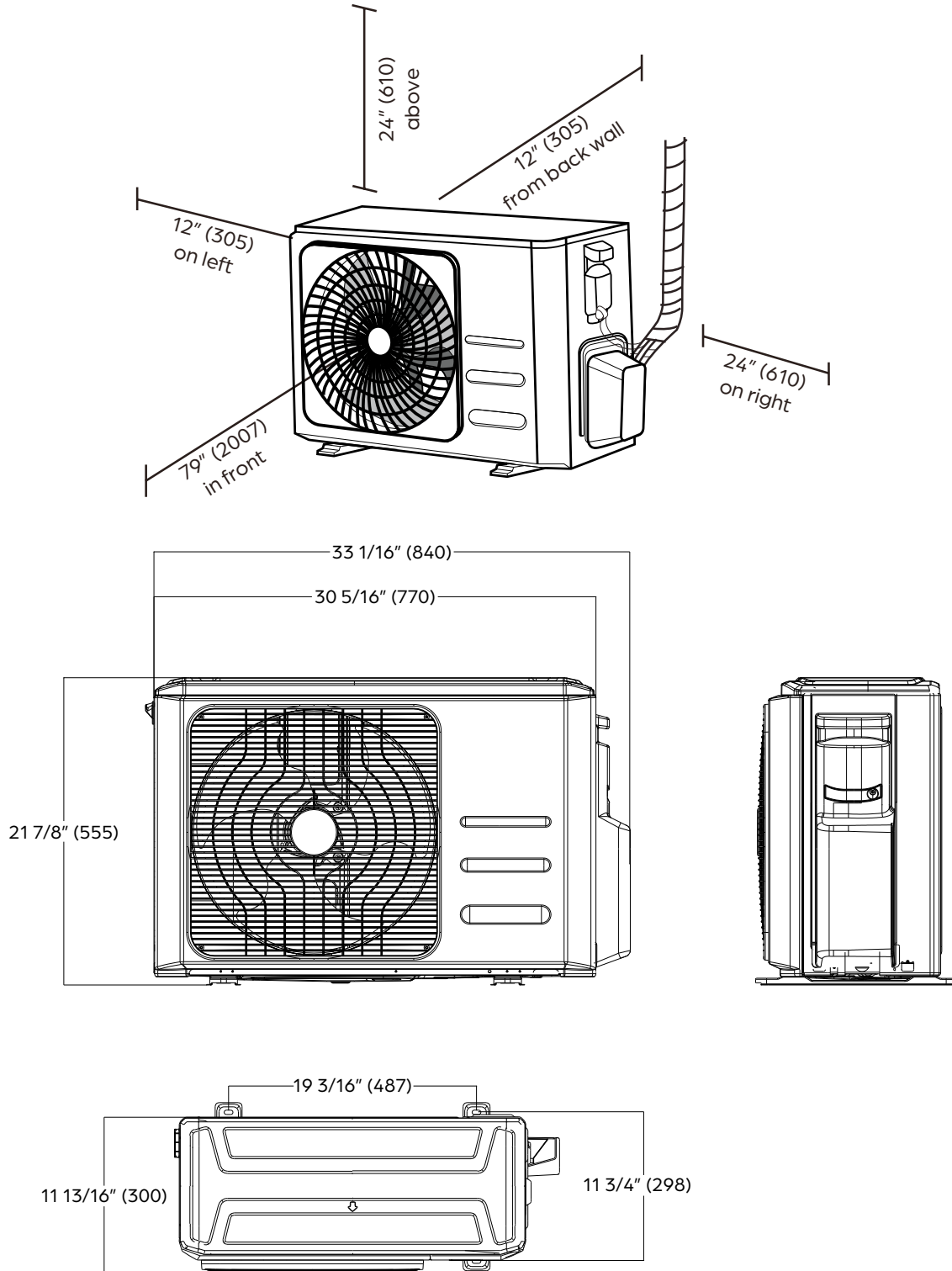
| OUTDOOR UNIT FAN DATA  |      |
|------------------------|------|
| Airflow (CFM)          | 1176 |
| Sound Pressure (dB(A)) | 55   |
| Type                   | DC   |
| RLA (A)                | 0.4  |

| OUTDOOR UNIT DIMENSIONS |           |           |
|-------------------------|-----------|-----------|
| Unit Dimensions         | Width     | 30 5/16"  |
|                         | Depth     | 11 13/16" |
|                         | Height    | 21 7/8"   |
| Carton Dimensions       | Width     | 35 7/16"  |
|                         | Depth     | 13 9/16"  |
|                         | Height    | 23 7/16"  |
| Net Weight              | 67.2 lbs. |           |
| Gross Weight            | 71.7 lbs. |           |



# 9,000 BTU/H SINGLE ZONE OUTDOOR UNIT

ODU DIMENSIONS - DRA1U09S1A



**NOTE**

Illustrations in this document are for explanatory purposes. The actual shape of your mini-split equipment may vary slightly.