

dacor[®]

User Manual

Modernist Gas Pro Range
DOP36M96GL*

WARNING: Failure to follow the instructions in this manual exactly may cause a fire or explosion, and, consequently, property damage, personal injury, or death.

- **DO NOT** keep or use gasoline or other flammable products near this appliance.
- **IF YOU SMELL GAS:**
 - **DO NOT** light any appliances.
 - **DO NOT** touch any electrical switches.
 - **DO NOT** use any phone in your building.
 - Immediately call your gas supplier from a neighbor's phone, and follow the supplier's instructions. (If you cannot reach your gas supplier, call the fire department.)
- Installation and service must be performed by a qualified installer, service agency, or the gas supplier.

ANTI-TIP DEVICE

WARNING

To reduce the risk of tipping the range, the range must be secured by a properly installed Anti-Tip device. **AFTER THE RANGE HAS BEEN INSTALLED, CONFIRM THAT THE ANTI-TIP DEVICE HAS BEEN PROPERLY INSTALLED AND VERIFY THAT THE ANTI-TIP DEVICE IS PROPERLY ENGAGED.** Refer to the installation manual for instructions.

- a) If the anti-tip device is not installed, a child or adult can tip the range and be killed.
- b) Verify the anti-tip device has been properly installed and engaged at the rear right (or rear left) of the range bottom.

-
- c) If you move the range and then move it back into place, ensure the anti-tip device is re-engaged at the right or left rear of the range bottom.
 - d) Do not operate the range without the anti-tip device in place and engaged.
Failure to do so can result in death or serious burns to children or adults.



⚠ WARNING

Do not step, lean, or sit on the oven door of the range. You can cause the range to tip, resulting in burns or serious injuries.

Confirm that the Anti-Tip device is installed properly. Then, to verify that the Anti-Tip device is engaged, grasp the top rear edge of the range and carefully attempt to tilt it forward. The Anti-Tip device should prevent the range from tilting forward more than a few inches.

If you pull the range out from the wall for any reason, make sure the anti-tip device is properly engaged when you push the range back against the wall. If it is not, there is a risk of the range tipping over and causing injury if you or a child stand, sit or lean on an open door.

Never completely remove the leveling legs. If you remove the leveling legs, the range will not be secured to the anti-tip device properly.

Contents

Before you begin	7
Important	7
Energy saving tips	7
Oven vent/cooling vent	8
Regulatory Notice	9
Important safety instructions	13
Overview	23
Layout	23
Display	24
What's included	25
Using the cooktop	26
Burners	26
Ignition	28
Cookware	30
Grates	32
Wok Ring	33
Using the oven	34
Basic settings – Clock, Date & Time, Language	34
Kitchen timer	35
Timed cooking	37
Delay start	39
Oven functions	40
Setting the mode	43
Setting the temperature	43
Basic baking and broiling instructions	44
Using the oven racks	46
Using the gliding rack	49
Using the special function feature	52
Using the healthy cook feature	55
Using the temperature probe	57
Using the clean feature	60
Using the Sabbath feature	64
Using the iQ Control feature	66
To start the oven remotely	67
Child Lock	68
Settings	69

Care and maintenance - Cooktop	73
Cleaning the cooktop surface	73
Stainless steel surfaces	74
Control knobs	75
Burner grates and components	76
Burner caps and heads	77
Burner bases	77
Electrodes	78
Burner head and cap replacement	79
Care and maintenance - Oven	80
Care and cleaning of the oven	80
Removing the oven doors	88
Reinstalling the oven doors	90
Changing the oven light	92
Troubleshooting	93
Information codes	98
Warranty and Service	100
Warranty	100
Open-Source Announcement	103



To Our Valued Customer:

Congratulations on your purchase of the very latest in Dacor® products! Our unique combination of features, style, and performance make us a great addition to your home.

To familiarize yourself with the controls, functions, and full potential of your new Dacor range, read this manual thoroughly, starting with **Before you begin** (pg. 7).

Dacor appliances are designed and manufactured with quality and pride, while working within the framework of our company values. Should you ever have an issue with your range, first consult **Troubleshooting** (Pgs. 93 - 99), where you will find suggestions and remedies that may pre-empt a service call.

Valuable customer input helps us continually improve our products and services, so feel free to contact our Customer Assurance Team for assistance with all your product-support needs.

Dacor Customer Assurance

14425 Clark Avenue
City of Industry, CA 91745

Telephone: 833-35-ELITE (833-353-5483) USA, Canada
Fax: (626) 403-3130
Hours of Operation: Mon - Fri, 5:00 a.m. to 5:00 p.m. Pacific Time
Website: www.dacor.com/customer-care/contact-us
Product Information: knowledgebase.dacor.com

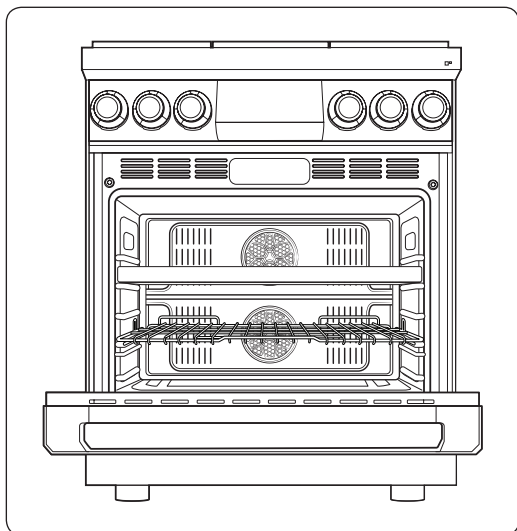
Thanks for choosing Dacor for your home. We are a company built by families for families, and we are dedicated to serving yours. We are confident that your new Dacor range will deliver top-level performance and enjoyment for decades to come.

Sincerely,

The Dacor Customer Assurance Team

Before you begin

Important



- The overall design and/or accessories may differ with the model.

Installer

- To promote safety and minimize problems, read this manual thoroughly before starting the installation. Leave this manual with the user.
- Write the appliance's model/serial numbers in this manual for service/maintenance reference.

User

- Keep this manual for personal reference and for that of inspectors, service personnel, etc.

Clean the oven thoroughly before using it for the first time. Then, remove the accessories, set the oven to Bake, and then run the oven at 400 °F for 1 hour. There will be a distinctive odor. This is normal.

Ensure your kitchen is well ventilated during this conditioning period.

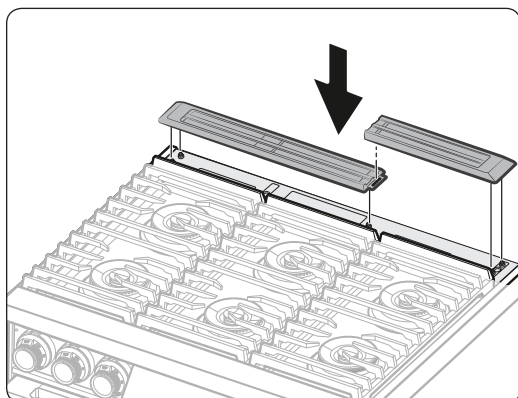
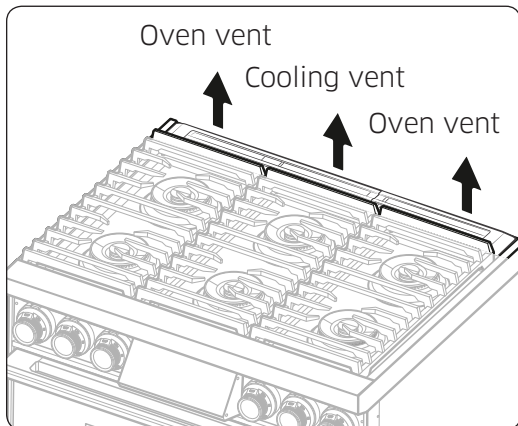
Energy saving tips

- During cooking, the oven door should remain closed except when you turn food over. Do not open the door frequently during cooking to maintain the oven temperature and to save energy.
- If cooking time is more than 30 minutes, you can switch the oven off 5-10 minutes before the end of the cooking time to save energy. The residual heat will complete the cooking process.
- To save energy and reduce the time needed for re-heating the oven, plan oven use to avoid turning the oven off between cooking one item and the next.
- Whenever possible, cook more than one item at a time.

Before you begin

Before you begin

Oven vent/cooling vent



Both the oven vent and the cooling vent are located at the back of the oven range. Proper air circulation prevents combustion problems and ensures good performance.

- Do not block the vent or its surroundings with objects.
- Use caution when placing items near the vent. Hot steam can cause them to overheat or melt.
- Be careful when operating the oven whatever the mode it is. The oven lets very hot air out through the vent.
- Make sure that the oven vent cover sits securely on the cooktop. You can verify that the oven vent cover is in the correct position by confirming that the tabs on the bottom side of the oven vent cover fit into the corresponding slots on the cooktop.

Regulatory Notice

1. FCC Notice

CAUTION

FCC CAUTION: Any changes or modifications not expressly approved by the party responsible for compliance could void the user's authority to operate the equipment.

This device complies with Part 15 of FCC Rules. Operation is Subject to following two conditions:

- 1) This device may not cause harmful interference, and
- 2) This device must accept any interference received including interference that cause undesired operation.

For products available in the US/Canadian markets, only channels 1-11 are available. You cannot select any other channels.

FCC STATEMENT:

This equipment has been tested and found to comply within the limits for a Class B digital device, pursuant to part 15 of the FCC Rules. These limits are designed to provide reasonable protection against harmful interference in a residential installation.

This equipment generates, uses, and can radiate radio frequency energy and, if not installed and used in accordance with the instructions, may cause harmful interference to radio communications. However, there is no guarantee that interference will not occur in a particular installation. If this equipment does cause harmful interference to radio or television reception, which can be determined by turning the equipment off and on, the user is encouraged to try to correct the interference by one or more of the following measures:

- Reorienting or relocating the receiving antennas.
- Increasing the separation between the equipment and receiver.

Regulatory Notice

- Connecting the equipment to an outlet that is on a different circuit than the radio or TV.
- Consulting the dealer or an experienced radio/TV technician for help.

FCC RADIATION EXPOSURE STATEMENT:

This equipment complies with FCC radiation exposure limits set forth for an uncontrolled environment. This equipment should be installed and operated so there is at least 8 inches (20 cm) between the radiator and your body. This device and its antenna(s) must not be co-located or operated in conjunction with any other antenna or transmitter.

2. IC Notice

The term “IC” before the radio certification number only signifies that Industry Canada technical specifications were met. Operation is subject to the following two conditions: (1) this device may not cause interference, and (2) this device must accept any interference, including interference that may cause undesired operation of the device.

This Class B digital apparatus complies with Canadian ICES-003.

For products available in the US/Canadian markets, only channels 1-11 are available. You cannot select any other channels.

IC RADIATION EXPOSURE STATEMENT:

This equipment complies with IC RSS-102 radiation exposure limits set forth for an uncontrolled environment. This equipment should be installed and operated so there is at least 8 inches (20 cm) between the radiator and your body. This device and its antenna(s) must not be co-located or operated in conjunction with any other antenna or transmitter.



Equipment EUT Type	Unintentional Emitter per FCC Part 15
Kind of product	Gas Range
Trade Name	Dacor
Model	DOP36M96GL*
Variant Model	
Applied Rules	47 CFR Part 15, Subpart B / ANSI C63.4-2014 ICES-003 Issue 6
U.S. RESPONSIBLE PARTY	Samsung Electronics America QA Lab 19 Chapin Rd. Building D Pine Brook NJ 07058 Tel: 1-973-808-6375 Fax: 1-973-808-63

Regulatory Notice

General safety instructions

This unit has been tested and found to comply with the limits for a class B digital device, pursuant to Part 18 of the FCC rules. These limits are designed to provide reasonable protection against harmful interference in a residential installation. This unit generates, uses and can radiate radio frequency energy and, if not installed and used in accordance with the instructions, may cause harmful interference to radio communications.

However, there is no guarantee that interference will not occur in a particular installation. If this unit does cause harmful interference to radio or television reception, which can be determined by turning the unit off and on, the user is encouraged to try to correct the interference by one or more of the following measures:

- Reorienting or relocating the receiving antennas.
- Increasing the distance between the unit and receiver.
- Connecting the equipment to an outlet that is on a different circuit than the radio or TV.

Important safety instructions

Read all instructions before using this appliance

- All electrical and gas equipment with moving parts can be dangerous. Be sure to read the Important Safety Information in this manual. The instructions must be followed to minimize the risk of property damage, injury, or death.
- Keep this manual in a handy place so you can refer to it as needed.

Symbols used in this manual

WARNING

Hazards or unsafe practices that may result in severe personal injury or death.

CAUTION

Hazards or unsafe practices that may result in electric shock, personal injury, or property damage.

NOTE

Useful tips and instructions

These warning symbols are intended to prevent property damage and personal injury. Follow them explicitly.



Important safety instructions

California Proposition 65 Warning

WARNING

Cancer and Reproductive Harm - www.P65Warnings.ca.gov

Commonwealth of Massachusetts

This product must be installed by a licensed plumber or gas fitter qualified or licensed by the State of Massachusetts. When using ball-type gas shut-off valves, you must use the T-handle type. Multiple flexible gas lines must not be connected in series.

General safety

WARNING

To reduce the risk of fire, electric shock, personal injuries, and/or death, observe the following precautions.

- **Do not touch** any surface, component, or mechanism of the range during or immediately after cooking.
- **Learn** where and how to shut off the valve that feeds gas to the range.
- **Make sure** the **anti-tip device** is properly installed on the range. See the installation instructions for more information.
- **Do not let children near** the range. Do not let children go into the range or onto the range. Do not let children play with the range or any part(s) of the range. Do not leave children unattended in the kitchen when the range is in use. For children's safety, we recommend utilizing the control/door lockout feature.
- **Remove** all packaging before operating the range to keep this material from catching fire. Keep all packaging away from children. Properly dispose of packaging as soon as the range is unpacked.
- **Do not keep** objects of interest to children on or around the range.
- **Do not operate** the range if it is damaged in any way, if it malfunctions, or is missing parts.
- **Do not use** the range as a space heater. Use the range for cooking only.
- **Do not use** oven cleaners or oven liners in or around any part of the oven.
- **Use** only dry pot holders.
- **Do not use** the range to heat sealed food containers.
- **Do not strike** the oven glass.



- When disposing of the range, **cut off** the power cord and **remove** the door to prevent children and animals from getting trapped.
- **Unplug** the range before service/maintenance.
- **Make sure** all meat and poultry is cooked thoroughly. Meat should always be cooked to an internal temperature of 160 °F (71 °C). Poultry should always be cooked to an internal temperature of 180 °F (82 °C).
- Do not make any attempt to operate the electric ignition rangetop burners during an electrical power failure.
- Keep the appliance area clear of combustible materials, gasoline, and other flammable vapors and liquids.
- **Teach** children not to touch or play with the controls or any part of the range. We recommend you utilize the control / door lockout feature to reduce the risk of misuse by children.
- An air curtain or other overhead range hood, which operates by blowing a downward airflow onto a range, shall not be used in conjunction with a gas range unless the hood and range have been designed and tested in accordance with the Standard for Domestic Gas Ranges, ANSI Z21.1 • CSA1.1, and listed by an independent testing laboratory for combination use.

Fire safety

⚠ WARNING

To reduce the risk of fire, electric shock, personal injury, or death, observe these precautions:

- **Do not store/place/use** combustible materials (e.g., paper, plastic, pot holders, linens, gasoline, alcohol) near the range.
- **Do not wear** loose fitting or hanging garments while using the range.
- To avoid grease buildup, **regularly clean** the vents.
- **Do not let** pot holders or other flammable materials touch a heating element. Do not use a towel or other bulky cloth in place of a pot holder.
- **Do not douse** a grease fire with water. Instead, turn off the heat source, and smother the fire with a tight-fitting lid, or use a multi-purpose, dry-chemical or foam extinguisher.
- **Do not heat** unopened food containers. The buildup of pressure may cause the containers to burst and result in injury.
- Do not use the oven for storage. Paper and other flammable items stored in the oven can ignite.
- **Do not put** any combustible material or items around the range.

Important safety instructions

Gas safety

WARNING

To reduce the risk of fire, electric shock, personal injury, or death, observe these precautions:

If you smell gas:

- Close the valve and do not use the range.
- Do not light a match, candle, or cigarette.
- Do not turn on any gas or electric appliances.
- Do not touch any electrical switches or plug in a power cord.
- Do not use any phone in your building.
- Evacuate everyone from the building.
- Immediately call your gas supplier from a neighbor's phone. Follow the gas supplier's instructions.
- If you cannot reach your gas supplier, call the fire department.

Checking for gas leaks

Leak-testing the appliance must be done according to the manufacturer's instructions. Do not use a flame to check for gas leaks. Use a brush to spread a soap-and-water solution around the area you are checking. If there is a gas leak, small bubbles will appear in the solution. When not sure, call for professional help.

Electrical and grounding safety

WARNING

To reduce the risk of fire, electric shock, personal injury, or death, observe these precautions:

- Plug the range into a grounded 4-prong outlet.
- **Do not remove** the ground prong.
- **Do not use** an adapter or an extension cord.
- **Do not use** a damaged power plug, power cord, or loose power outlet.
- **Do not modify** the power plug, cord, or outlet.
- **Do not put** a fuse in a neutral or ground circuit.
- Use a dedicated 120 Vac , 60-Hz, 20-Amp breaker for this Range. A time-delay fuse or circuit breaker is recommended. Do not plug more than one appliance into this circuit.
- **Do not connect** the ground wire to plastic plumbing lines, gas lines, or hot water pipes.
- This range **must be grounded**. If the range malfunctions or breaks down, grounding reduces the risk of electric shock by providing a safe path for the current. This range's power cord has a grounding plug, which must be firmly plugged into an outlet that is properly installed and grounded according to local regulations. If you are not sure your electrical outlet is properly grounded, have it checked by a licensed electrician.
- The range is supplied with a 4-pronged grounded plug. This cord must be plugged into a mating, grounded 4-prong outlet that meets all local codes and ordinances. If codes permit the use of a separate ground wire, we recommend that a qualified electrician determine the proper path for this ground wire.
- Electrical service to the range must conform to local codes. Barring local codes, it should meet the latest ANSI/NFPA No. 70 - Latest Revision (for the U.S.) or the Canadian Electrical Code CSA C22.1 - Latest Revisions.
- The range owner shall ensure that the proper electrical service is provided for the range.

Important safety instructions

Location safety

WARNING

To reduce the risk of fire, electric shock, personal injuries, and/or death, observe the following precautions.

- This range is for indoor, household use only. **Do not install** the range outdoors or anywhere that it will be exposed to weather/water or wind/strong drafts.
- **Do not install** the range in a place which is exposed to a strong draft.
- Select a level, well-constructed floor that can support the range's weight. Synthetic flooring, such as linoleum, must withstand 180 °F (82 °C) temperatures without shrinking, warping, or discoloring. **Do not install** the range directly over interior kitchen carpeting unless a sheet of ¼ inch plywood or a similar insulator is placed between the range and carpeting.
- For the range to ventilate properly, make sure the range's vents are not blocked or covered, and that there is enough clearance at the top, back, sides, and underneath the range. The vents allow the necessary exhaust for the range to operate properly with correct combustion and get the good cooking result.
- **Make sure** the wall coverings around the range can withstand heat up to 200 °F (93 °C) generated by the range.
- Cabinet storage above the surface of the range should be avoided. If cabinet storage above the range is necessary, allow a minimum clearance of 30 inches (76.2 cm) between the cooking surface and the bottom of the cabinets or install a range hood that projects horizontally a minimum of 5 inches (12.7 cm) beyond the bottom of the cabinets.
- **Locate** the range out of kitchen traffic paths and drafty locations to prevent poor air circulation.
- If the range is located near a window, NEVER hang long curtains or paper blinds on that window. They could blow over the surface burners and ignite, causing a fire hazard.

Cooktop safety

WARNING

To reduce the risk of fire, electric shock, personal injury, or death, observe these precautions:

- **Make sure** all burners are off when not in use.
- **Do not use** aluminium foil to line the grates or any part of the cooktop. This can cause carbon monoxide poisoning. Aluminum foil linings may also trap heat, causing a fire hazard. **Do not leave** burners unattended on medium or high heat settings.
- Before igniting, make sure all burner caps are properly in place and all burners are level.
- **Always use** the LITE position when igniting the burners and make sure the burners have ignited. If ignition fails, turn the knob to OFF and wait for the gas to dissipate before re-igniting the burner.
- When you set a burner to simmer, **do not turn** the knob quickly. Make sure the flame stays on.
- To heat food, you must have a ventilation hood. When you heat food, the hood must be on.
- Before removing or changing cookware, turn off the burners.
- Remove food and cookware immediately after cooking.
- Before removing any parts of the burner for cleaning, make sure the range is off and completely cool.
- After cleaning the burner spreader, make sure it is completely dry before re-assembling.
- **Make sure** the spark mark on the dual burner spreader is placed beside the electrode when it is assembled.
- To avoid carbon monoxide poisoning, do not pour water into the cooktop well while cleaning.
- Select cookware that is designed for cooktop cooking. Use recommended cookware no larger than the cooktop grates.
- To avoid cookware discoloration, deformity, and/or carbon monoxide poisoning, do not use cookware that is substantially larger than the grate.
- Make sure cookware handles are turned to the side or rear of the cooktop, but not over other surface burners or the front edge of the cooktop.
- Do not stand directly over a pot while frying food.
- Always heat frying oils slowly, and watch as they heat. If you are frying foods at high heat, carefully monitor the cooking process. If you are going to combine fats or oils when frying, mix them before heating.
- Use a deep-fry thermometer when possible so you do not heat the oil beyond its smoke point.



Important safety instructions

- Use a minimum amount of oil when shallow pan-frying or deep-frying. Do not fry frozen, icy, cold, or wet food.
- Before moving cookware full of fats or oils, make sure it has completely cooled.
- To prevent delayed eruptive boiling, always allow heated liquids to stand at least 20 seconds after you have turned off the burner so that the temperature in the liquid can stabilize. In the event of scalding, follow these first-aid instructions:
 - Immerse the scalded area in cool water for at least 10 minutes.
 - Do not apply any creams, oils, or lotions.
 - Cover with a clean, dry cloth.
- Place pots in the center of the grate. Do not place a pot larger than 9" in diameter on the rear burners. If you place an oversized pot in the wrong position, it might disrupt necessary air circulation and make the flame on the burner sputter and burn inefficiently.
- **Do not wear** loose or hanging garments when using the range. They could ignite and burn you if they touch a surface burner.
- **Never leave** plastic items on the cooktop. Hot air from the vent can melt or ignite plastic items or cause build up of dangerous pressure in closed plastic containers. You may get severe burns if you touch the surfaces near the vent while the oven is operating.
- **Do not place** portable appliances, or any other object other than cookware on the cooktop. Damage or fire could occur if the cooktop is hot.
- **Always make sure** the controls are OFF and the grates are cool before you remove them to prevent any possibility of being burned.
- **Do not put** any combustible material or items around the range.
- Do not touch the burners when they are on. Turn off the burners when you change a pan or pot.



Oven safety

WARNING

To reduce the risk of fire, electric shock, personal injuries, and/or death, observe the following precautions.

- **Do not use** the oven for non-cooking purposes such as drying clothes or storage. Use the oven for cooking only.
- **Make sure** the oven racks are placed on the same level on each side.
- **Do not damage, remove, or clean** the door gasket.
- **Do not spray** water on the oven glass while the oven is on or just after you have turned it off.
- Stand aside when opening the oven door.
- Keep the oven free from grease buildup.
- When repositioning the oven racks, **make sure** the oven is completely cool.
- **Do not** put plastic items inside the oven.
- To avoid damaging the burner control knobs or oven control, always bake and/or broil with the oven door closed.
- **Do not** place meat too close to the broil element. Trim excess fat before broiling.
- When using cooking or roasting bags in the oven, follow the manufacturer's directions.
- **NEVER cover** any slots, holes, or passages in the oven bottom or cover an entire rack with material such as aluminum foil. Doing so blocks air flow through the oven and may cause carbon monoxide poisoning. Aluminum foil linings may also trap heat, causing a fire hazard.

Important safety instructions

Self-cleaning oven safety

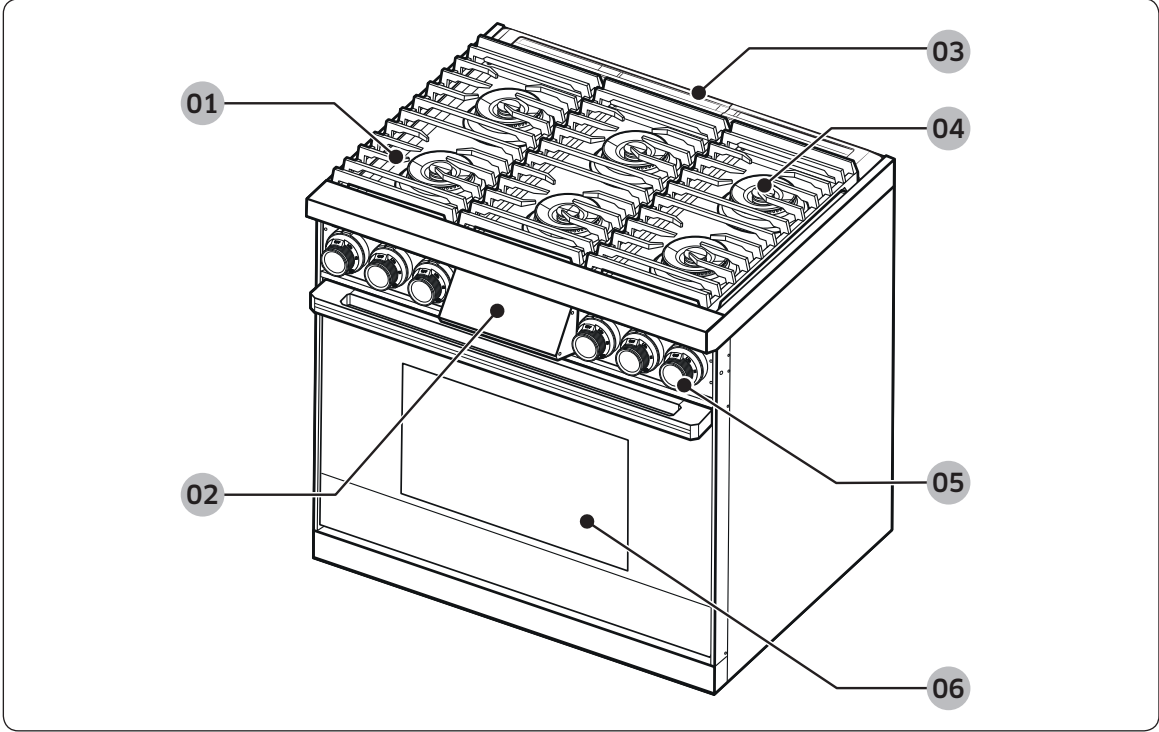
WARNING

To reduce the risk of fire, electric shock, personal injuries, and/or death, observe the following precautions.

- The self-cleaning feature operates the oven at temperatures high enough to burn away food soils in the oven. The range is extremely hot during a self-cleaning cycle. **Do not touch** any surfaces of the range during a self-cleaning cycle.
- Keep children away from the oven during a self-cleaning cycle.
- Before starting a self-cleaning cycle, remove all loose items from the oven, and wipe down all oven surfaces.
- After a self-cleaning cycle, stand aside when opening the oven door.
- If the self-cleaning cycle malfunctions, turn off the oven, turn off the power breaker, and contact a qualified service technician.
- Some birds are extremely sensitive to the fumes given off during the self-cleaning cycle of any oven. Move birds to another well-ventilated room.

Overview

Layout

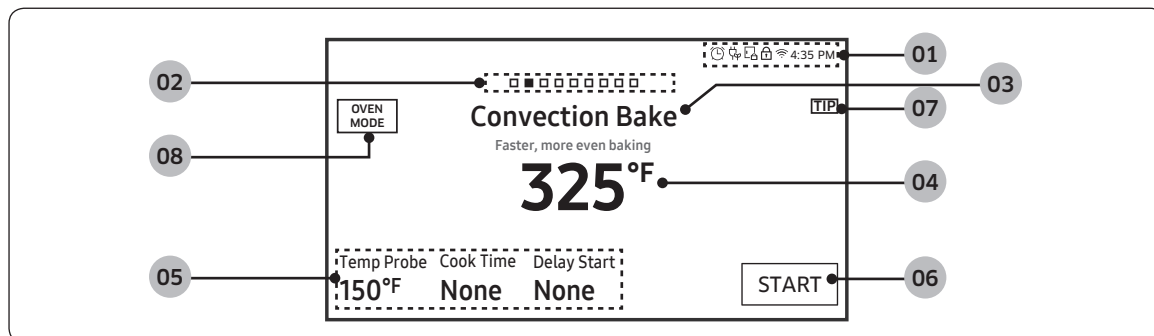


01 Grate	02 Control panel
03 Oven vent cover	04 Surface burners
05 Surface burner knobs (6 pcs)	06 Removable oven door

Overview

Overview

Display



01 Indicator area

- **Timer** (⌚): When the timer is set, the timer indicator is displayed. When more than 2 timers are set, the number (1, 2, 3, etc.) of set timer is shown.
- **Door lock** (🔒): Displayed when the oven door is locked.
- **Wi-Fi** (📶): Shows Wi-Fi signal strength in 5 steps. When Wi-Fi is disconnected, 📶 is shown.
- **12 hour energy saving** (🌙): Displayed when 12 hour energy saving is turned on.
- **Current time**: The current time is displayed.

02 Page indicator: Shows location of current mode.

03 Mode: The current or selected menu is displayed with a mode description.

04 Temperature: The current or selected temperature is displayed. When you tap this area, the temperature adjustment screen is displayed.

05 Information area

- **Temp Probe**: The set temperature of the temperature probe is displayed. When you tap this area, the Temp Probe screen is displayed.
- **Cook Time**: The cooking time is displayed. When you tap this area, the cooking time screen is displayed.
- **Delay Start**: The delay start time is displayed. When you tap this area, the Delay Start screen is displayed.

06 START: Tap to start the oven using the displayed settings.

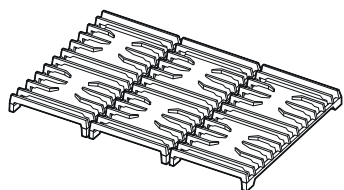
07 TIP: Tap to display the recommendation for each mode.

08 OVEN MODE: Tap to display mode select menu.

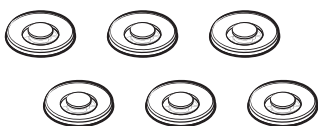
NOTE

The display in the manual could be different from the actual one.

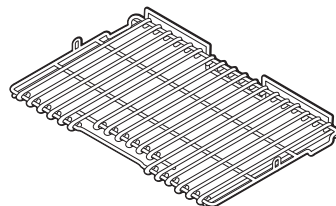
What's included



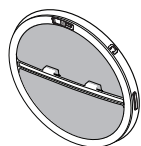
Grates (3)



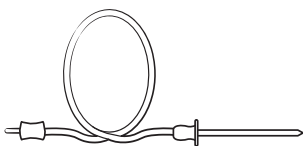
Burner heads (6) and
Burner caps (6)



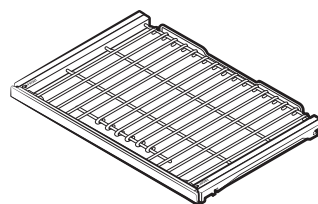
Flat rack (1)



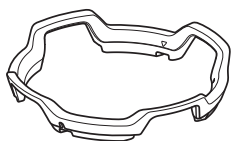
Convection filter (2)



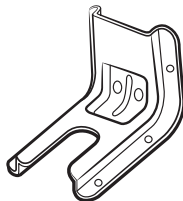
Temperature probe (1)



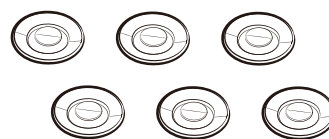
Gliding racks (2)



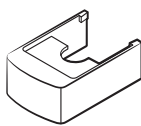
Wok ring (1)



Anti-tip bracket (1)



Brass burner caps (6)



Front leg covers (2)

The range is supplied with two different types of burner caps (brass and porcelain) to suit the customer's preference. The brass discolors with use; the discoloration does not affect function.

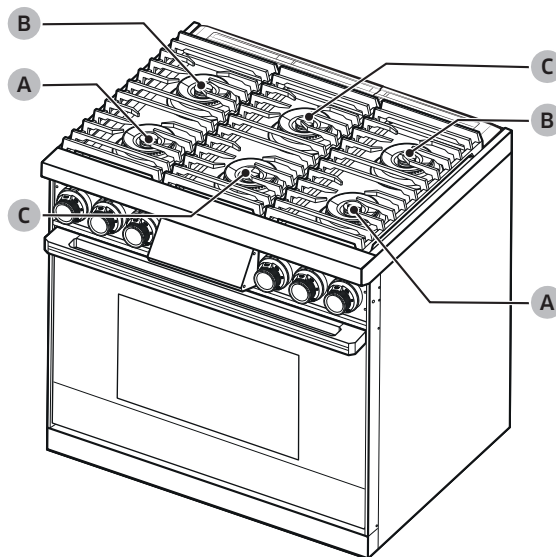
NOTE

- You need to insert convection filters before using oven.
- Warranty does not cover discoloration of brass burner caps.

Using the cooktop

Burners

There are three different types of burners on your range. See the diagram below for heat output and location. Each burner generates a spark when the knob is rotated to the "flame symbol" spark position. (Do not use the cooktop if the spark is not activated). When the burner ignites, the spark stops automatically. The gaskets under the burners prevent spilled liquids from leaking into the range's internal parts.



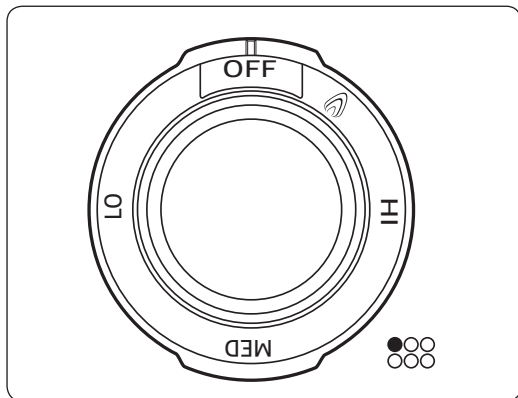
A	22K BTU Dual burner
B	18K BTU Dual burner
C	18K BTU Double-ring burner

Each burner is designed for a specific purpose, as detailed in this table:

Burner	Position	Purpose	Food type
Dual burner 22K BTU	Left Front (LF)	Power heating / Low simmering	Boiling food Tomato sauce
	Right Front (RF)		
Dual burner 18K BTU	Left Rear (LR)	Quick heating / Low simmering	Delicate food that requires low heat for a long time
	Right Rear (RR)		
Double-ring burner 18K BTU	Center Front (CF)	Quick heating	General food, casseroles
	Center Rear (CR)		

Using the cooktop

Ignition



NOTE

Each control knob has a corresponding burner. The location of corresponding burner is marked next to the knob.

To light a burner :

1. Push in the knob and turn it counterclockwise to the Lite position. The igniter for the burner will spark repeatedly until it lights. The spark makes a “clicking” sound. The burner should light within four seconds. The flame should burn evenly around the burner, except underneath each grate support finger, where the flame height is reduced by Dacor’s Smart Flame feature. A normal flame is steady and blue. Foreign material in the gas line, especially in new construction, may cause a temporary orange flame during initial operation. Small yellow tips on the flames are normal when using LP gas. If a burner does not ignite, the igniter continues to spark or if the flame is not spread evenly around the burner cap, see the **Troubleshooting** section on page 93.
2. Place the cooking utensil on the grate.
3. Adjust the flame to the cooking task.

NOTE

Turn off the burner if there is no spark, and verify that power is supplied to the range. Never manually light a burner during a power failure.

Tips

- Food cooks just as quickly at a gentle boil as it does at a vigorous, rolling boil. Boil foods gently to conserve energy, flavor, and nutrients.
- Use a low or medium flame when cooking with utensils that are poor heat conductors (glass, ceramics, cast iron). Adjust the flame to cover 1/3 of the cookware diameter to ensure even heating and reduce risk of burning/scorching the food.

Flame level

The flames on the burners should always stay under the cookware.

Before using burner knobs...

To prevent change in flame size, each burner knob only can be operated by push-turn method.

Also, the user will encounter stop points when turning the knob. At each stop point, push-turn the knob to continue. The knob can be turned only if the user intends to change flame size.

Using the cooktop

Cookware

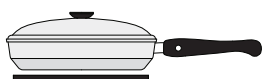
⚠ WARNING

- Cookware with rough bottoms can permanently damage the grate surfaces.
- To avoid burns, always turn pan handles to a position where they cannot be easily hit. Handles should not extend over adjacent burners or the front edge of the cooktop. Always set cookware gently onto the grates and center them so that they are well-balanced.
- Do not drag cookware across the grates. Sliding may damage the finish. Lift cookware to reposition them.
- To avoid burns and fire hazards, ensure the burner flame stays under the utensil.
- When using glass cookware, make sure it is designed for cooktop cooking.
- Make sure you hold the handle of a wok or a small one-handed pot while cooking.

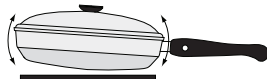
For overall safety and best performance, select the correct cookware for the food being cooked. Improperly selected cookware will not cook evenly or efficiently.

Use cookware that:

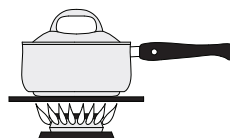
- Has flat, smooth bottoms
- Has tight fitting lids to keep heat, odors and steam in
- Well-balanced with the handle weighing less than the main portion of the pot or pan.



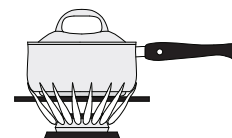
Recommended



Not recommended



Recommended

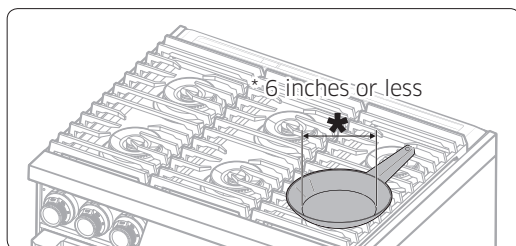


Not recommended

Material characteristics

- **Aluminum:** An excellent heat conductor. Some types of food may cause the aluminum to darken. However, anodized aluminum cookware resists staining and pitting.
- **Copper:** An excellent heat conductor but discolors easily.
- **Stainless steel:** A slow heat conductor with uneven cooking performance but is durable, easy to clean, and resists staining.
- **Cast-Iron:** A poor conductor but retains heat very well.
- **Enamelware:** Heating characteristics depend on the base material.
- **Glass:** A slow heat conductor. Use only glass cookware that is specified for cooktop cooking or oven use.

Size limitations



⚠ WARNING

Do not place a small pan or pot with a bottom diameter of about 6 inches or less on the large burner, this size pan may tip over and cause injury. Use the rear burners for this small sized cookware.

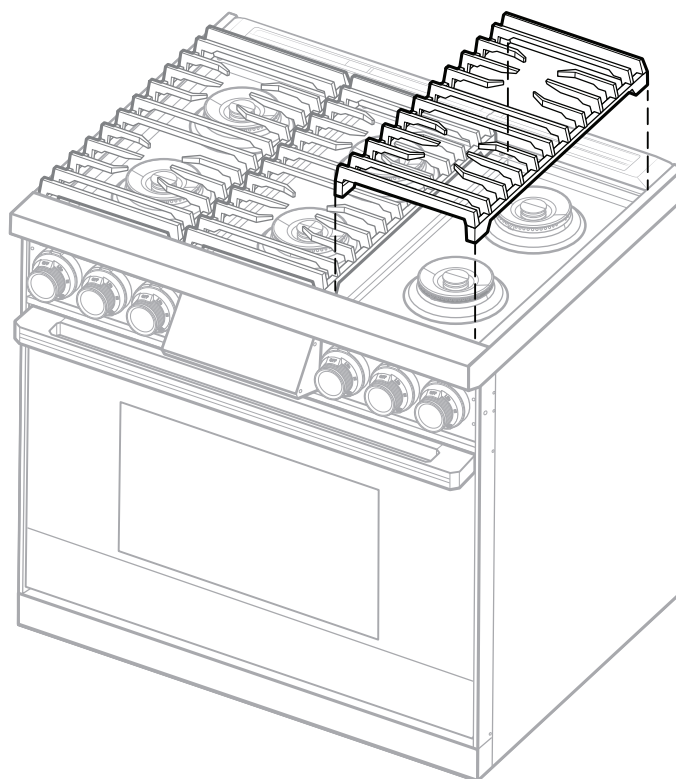
Using the cooktop

Grates

Gently set the grates on the top of the spill tray. Put the legs of each grate into the corresponding dimples.

NOTE

The grates are heavy. Be careful handling the grates.

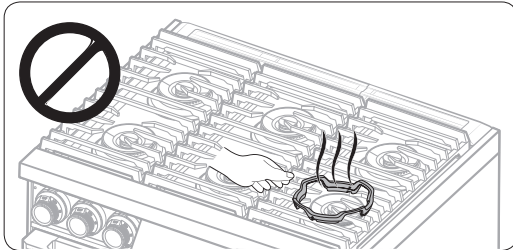
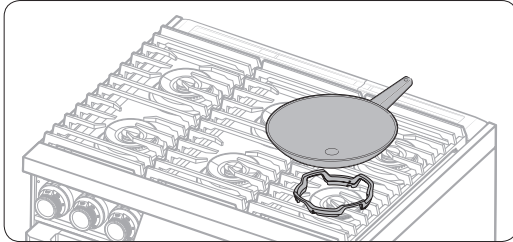


NOTE

Before installing grates, check the words under the grates. The words inform you where the front side is and the proper position of grate, right, center or left.

Wok Ring

Woks are often used for stir frying, pan frying, deep frying, and poaching. The provided wok Ring supports 12" to 14" woks.



1. Turn off all burners, and wait until the grates completely cool down.
2. Place the wok Ring on the grate over the 22K BTU Dual burner.
3. Put a wok on the wok Ring. Make sure the wok settles on the wok Ring.
4. Turn on the burner, and adjust the flame level as appropriate.

CAUTION

- Do not remove the wok Ring until the cooktop grates, surfaces, and wok Ring completely cool down.
- Do not use cookware with a flat bottom or with a diameter less than the wok ring diameter. The cookware may tip over.
- Do not use an oversized wok. The burner flames may spread out, causing damage nearby.
- Do not use the wok grate and the griddle at the same time.

Using the oven

Basic settings - Clock, Date & Time, Language

Clock theme

To change the clock theme.

1. Tap **SETTINGS** and then tap **Display**.
2. Tap **Clock theme** and select the theme you want to use.
You can see the provided clock theme by swiping the display.

Date & Time

To enable Automatic date and time.

1. Turn on the Wi-Fi connection.
2. Tap **SETTINGS** > **Date & Time**, and then tap **Date & Time** > **Automatic date and time**, and then tap **ON** in the right screen. The date and time are set automatically.

To manually input date and time.

1. Tap **SETTINGS** > **Date & Time**, and then tap **Date & Time** > **Automatic date and time**, and then tap **OFF** in the right screen. Time zone, set date, and set time are activated.
2. You can set the time zone, date, and time.

To change the time format.

1. Tap **SETTINGS** > **Date & Time** > **Select time format**, and then tap in the right screen.
2. You can select 12-hour clock or 24-hour clock.

Language

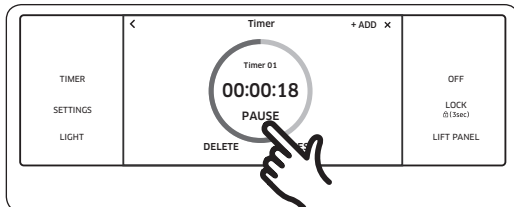
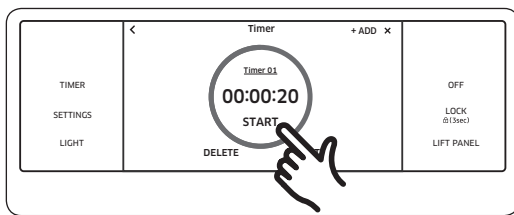
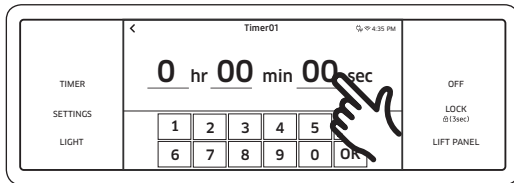
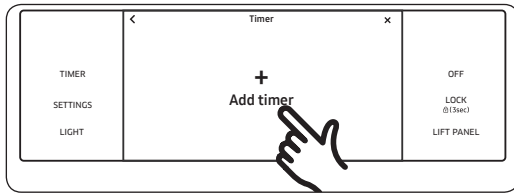
Choose a display language.

1. Tap **SETTINGS** > **Language**, and then tap in the right screen.
2. You can select English, Spanish, or French.

Kitchen timer

The kitchen timer serves as an extra timer that will beep when the set time has elapsed. It does not start or stop cooking functions. You can use the kitchen timer with any of the other oven functions.

How to set the timer



1. Tap **TIMER**. The display changes to the timer screen.

2. Tap **+ Add timer**.

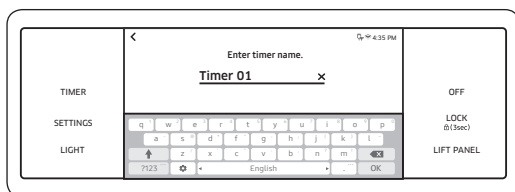
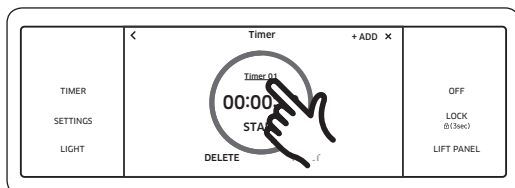
3. Tap the numbers on the numeric pad to set the time. (You can set the timer for any amount of time from 1 sec to 23 hr 59 min 59 sec).

4. Tap **START**. When the set time has elapsed, the oven will beep and the display will show the Timer has finished.

- You can pause, reset, or delete the timer at any time by touching the screen.

Using the oven

How to change timer name



You can change the timer name to identify what you are timing, for example, a chicken defrosting.

1. Tap the timer name.
 - The keyboard appears.
2. Tap the the keyboard to set the new timer name.
 - The display shows the changed timer name.

Timed cooking

In timed cooking mode, the oven turns on immediately and cooks for the length of time you select.

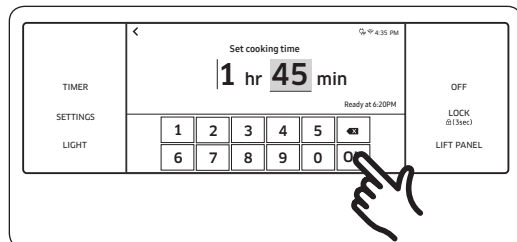
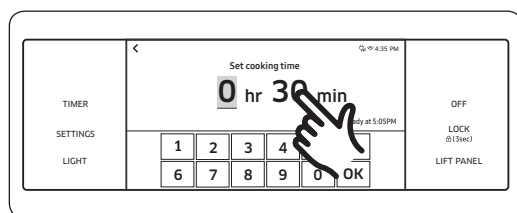
At the end of the cooking time, the oven turns off automatically.

- You can use the timed cooking feature only with another cooking operation. (Bake, Convection Bake, Convection Roast, Pro Convection, Proof, Stone Bake Mode, Dehydrate).

NOTE

Available modes for each oven can be found on page 40.

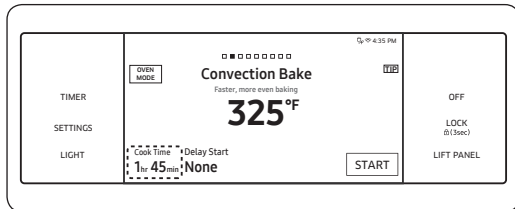
How to set the oven for timed cooking



1. Select the cooking mode you want.
2. Tap **Cook Time**. The display will change to the cooking time screen.

3. Tap numbers on the numeric pad to set the cooking time. (You can set the cooking time for any amount of time from 1 minute to 9 hours and 59 minutes).

Using the oven



4. The cooking time is displayed in the Cook Time area on the screen.

NOTE

You can cancel a cook time at any time by setting the Cook Time to 0 minutes.

CAUTION

Use caution with the timed cooking or Delay Start features. You can use these features to cook cured or frozen meats and most fruits and vegetables.

Food that can easily spoil (milk, eggs, and thawed or fresh fish, meat, or poultry) should be chilled in the refrigerator first.

Even when chilled, they should not stand in the oven for more than 1 hour before cooking begins, and should be removed promptly when cooking is completed.

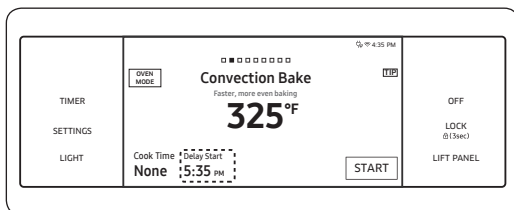
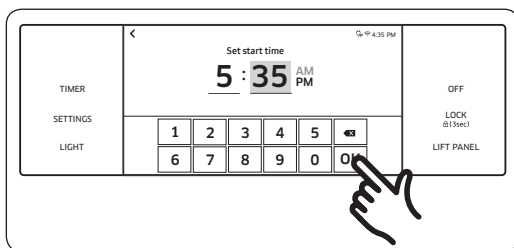
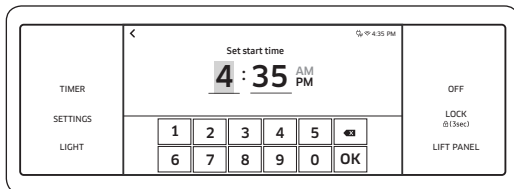
Eating spoiled food can result in sickness from food poisoning.

Delay start

In delay start cooking mode, the oven's timer turns the oven on at a preset time. You can have the oven turn off automatically after a set time has elapsed by setting the Timed Cooking function as well.

- You can use the Delay Start feature only with another cooking operation (Bake, Convection Bake, Convection Roast, Pro Convection, Proof, Stone Bake Mode, Dehydrate, Self Clean).
- You can set the oven for a delay start before setting other cooking operations.
- The clock must be set to the current time.

How to set the oven for delay start cooking



1. Position the oven rack(s) and place the food in the oven.
2. Select the cooking mode you want.
3. Set the cooking time if you want the oven to turn off automatically after a set time. (See the **Timed cooking** section on page 37).
4. Tap **Delay Start**. The current time is displayed as the first entry.
5. Tap numbers on the numeric pad to set the time you want the oven to start.
6. The Delay Start screen closes. The start time, and, if you set it, the cooking time, is displayed on the screen.

Using the oven

Oven functions

Oven	Oven functions
Basic oven	Bake, Convection Bake, Convection Roast, Broil, Convection Broil, Pro Convection, Special Function.

Cooking mode

Select the cooking mode you want. Set the temperature you want.

See **Setting the temperature** on page 43 and **Basic baking and broiling instructions** starting on page 44.

Mode	Temperature range	Temp Probe
Bake	175 °F (80 °C) - 550 °F (285 °C)	✓
Convection Bake	175 °F (80 °C) - 550 °F (285 °C)	✓
Convection Roast	175 °F (80 °C) - 550 °F (285 °C)	✓
Broil	LO / MED / HI	✗
Convection Broil	LO / MED / HI	✗
Pro Convection	175°F (80 °C) - 550 °F (285 °C)	✓

✓ = Available / ✗ = Not Available

Mode	Instruction
Bake	<ul style="list-style-type: none"> • Bake mode is used for baking cakes, cookies, and casseroles. Always preheat the oven. • Baking temperatures and times will vary depending on the ingredients and the size and shape of the baking pan used. • Dark or nonstick coatings may cook faster with more browning.

Mode	Instruction
Convection Bake	<ul style="list-style-type: none"> • Convection Bake uses a fan to circulate the oven's heat evenly and continuously within the oven. • This improved heat distribution allows for even cooking and excellent results while using multiple racks. • Provides the best performance for cookies, biscuits, brownies, cupcakes, cream puffs, sweet rolls, angel food cake and bread. • When convection baking with one rack, place the rack at Level 3. • When convection baking with two racks, place them at Levels 2 and 4 for cake and cookies. • When convection baking with three racks, place them at Levels 1, 3, and 5 for cookies. For the best results, use commercial half-sheets or a 16" cookie sheet. • The oven temperature must be manually reduced by 25°F while using Convection Bake mode. • Oven can hold a full-sized commercial baking sheet (18" x 26"). When using commercial size baking utensils, use only one.
Convection Roast	<ul style="list-style-type: none"> • Convection Roast is good for cooking large tender cuts of meat, uncovered. The convection fan circulates the heated air evenly over and around the food. • Meat and poultry are browned on all sides as if they were cooked on a rotisserie. • The heated air seals in juices quickly for moist and tender results while, creating a rich, golden-brown exterior.
Broil	<ul style="list-style-type: none"> • Broiling cooks tender cuts of meat by direct heat under the broil element of the oven. • The high heat cooks quickly, creating a rich, golden-brown exterior. Broil mode is best for cuts of meat, fish, and poultry up to 1 inch thick. • Always preheat the oven for 5 minutes before broiling. • See the Broiling recommendation guide section starting on page 51.

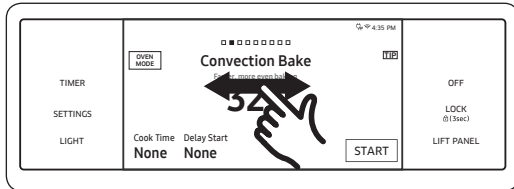
Using the oven

Mode	Instruction
Convection Broil	<ul style="list-style-type: none">• Convection Broil is similar to Broil, but with the additional benefit of air circulation by the motorized fan in the rear of the oven.• During Convection Broil mode, the broil element cycles on and off to maintain oven temperature as the fan circulates air for even cooking.• Use this mode for thicker cuts of meat, fish, and poultry. Convection Broil gently browns the exterior and seals in the juices.• For optimum browning, preheat the broil element for 5 minutes.
Pro Convection	<ul style="list-style-type: none">• Pro Convection uses powerful dual fans for greater air circulation and faster cooking.• Ideal for foods being cooked using single rack.• Provides the best performance for cookies, biscuits, cupcakes etc.• For single-rack baking, use rack Level 3 or 4.• For dual-rack baking, use rack Levels 2 and 4.



Setting the mode

Swipe the screen

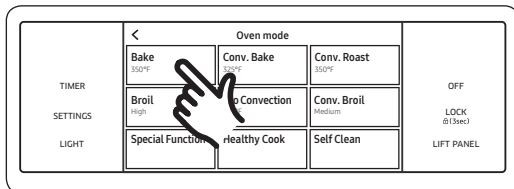


- Swipe the screen left or right to select a cooking mode.

Summarized mode

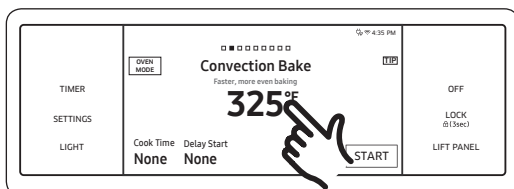


- Tap the mode area to display the summarized mode.

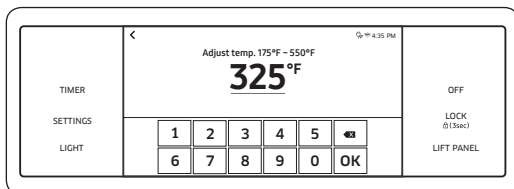


- Tap the mode you want.

Setting the temperature

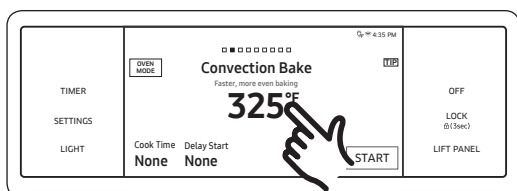
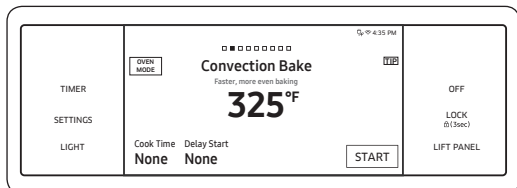


- Tap the temperature area to display the numeric pad.
- Tap the numbers on the numeric pad to set the temperature.
- Tap OK.



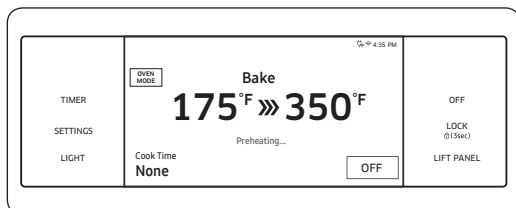
Using the oven

Basic baking and broiling instructions



1. Select the cooking mode you want.
2. Set the temperature you want. (See the **Setting the temperature** section on page 43.)
 - Broil mode can be set only Hi, Med or Lo.
 - Keep Warm temperatures cannot be changed.

How to adjust the temperature while cooking



Tap the temperature area, enter the new temperature using the numeric keypad.

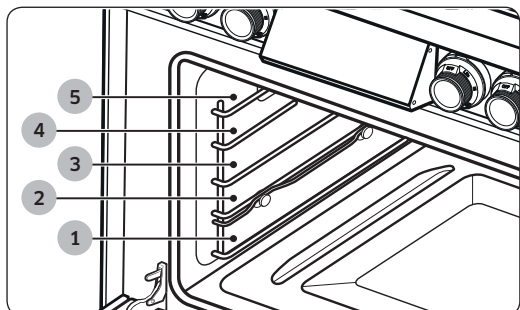
- ★ Place food in the oven after preheating if the recipe calls for it. Preheating is very important for good results when baking cakes, cookies, pastry, and breads. After the oven has reached the desired temperature, the oven will beep 6 times.
- The convection oven fan shuts off when the oven door is opened.
- DO NOT leave the door open for long periods of time while using convection cooking or you may shorten the life of the convection heating element.

NOTE

- If you leave the oven door open for more than 2 minutes when the oven is on, all heating elements will shut off automatically.
- When you have finished cooking, the cooling fan will continue to run until the oven has cooled down.
- If you are using an oven thermometer in the oven cavity, the temperature registered by the thermometer may differ from the actual set oven temperature.
- For performance reasons, the convection fan may turn on or off while the oven is cooking.
- This oven is designed for CLOSED DOOR broiling. The oven door must be closed during broiling.

Using the oven

Using the oven racks



Recommended rack positions for cooking

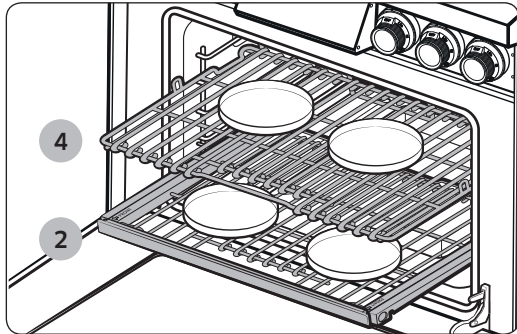
Rack position	Type of food
5	Steak
4	Hamburgers, Toast, Steak, Fish, Small cuts of poultry
3	Cakes, Muffins, Brownies, Cookies, Pound cake
2	Angel food cake, Pies, Roasts, Casseroles, Pizza
1	Turkey, Large roasts, Pizza

- This table is for reference only.

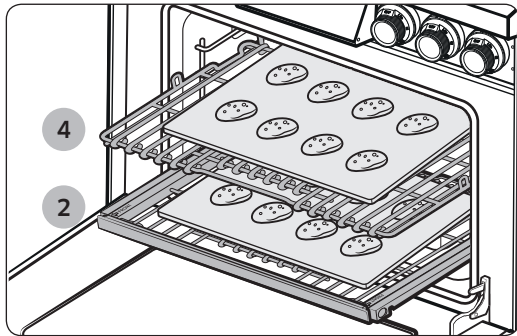
CAUTION

- Do not cover an oven rack with aluminum foil. This will disturb the heat circulation, resulting in poor baking.
- Do not place aluminum foil on the oven bottom. The aluminum can melt and damage the oven.
- Arrange the oven racks only when the oven is cool.
- When placing an oven rack in the topmost rack position (position 5), make sure the rack is situated stably on the embossed stop.

Multi-rack baking



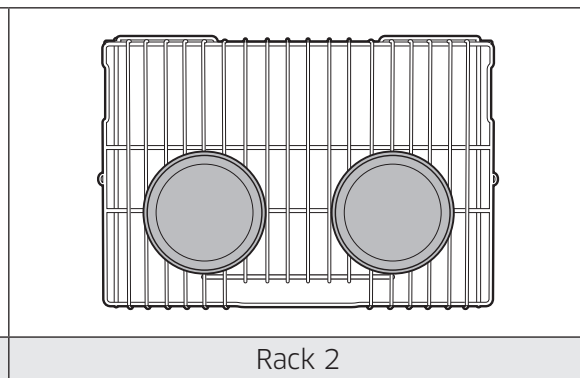
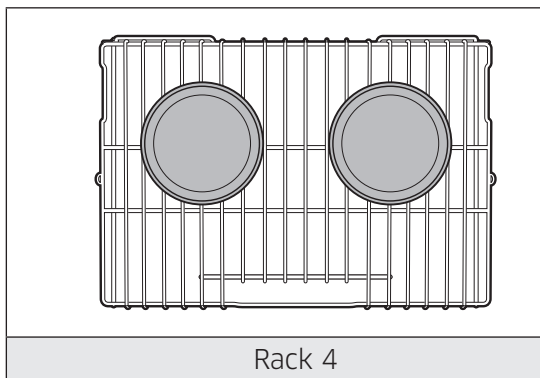
Cakes pans position



Cookie sheets position

- For dual-rack baking of cakes or cookies, place the racks at Levels 2 and 4.
- For 4 baking pans on two racks: Place two pans in the rear of the upper rack and the other two in the front of the lower rack.
- When baking multiple items on one rack, maintain a 1" to 1.5" (2.5 cm to 3.8 cm) space between items.
- When using the gliding rack, place it below the flat rack.

Baking items	Rack position
Cake	2 and 4
Cookie	2 and 4



Using the oven

Before using the racks

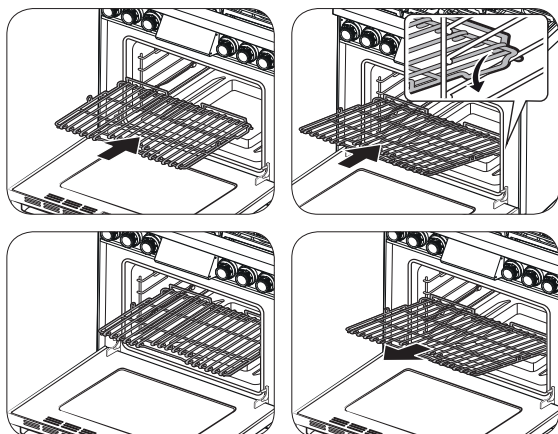
Each rack has stops that need to be placed correctly on the supports. These stops will keep the rack from coming completely out.

Removing the racks

1. Pull the rack straight out until it stops.
2. Lift the front of the rack, and then pull it out.

Replacing the racks

1. Place the end of the rack on the support.
2. Tilt the front end up and push the rack in.



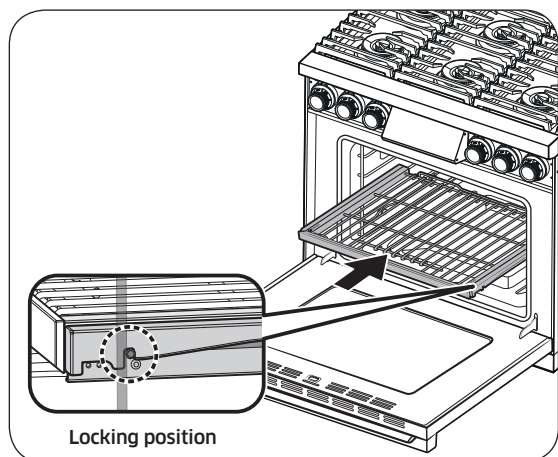
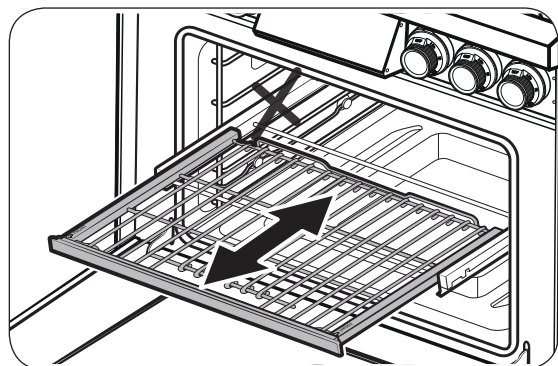
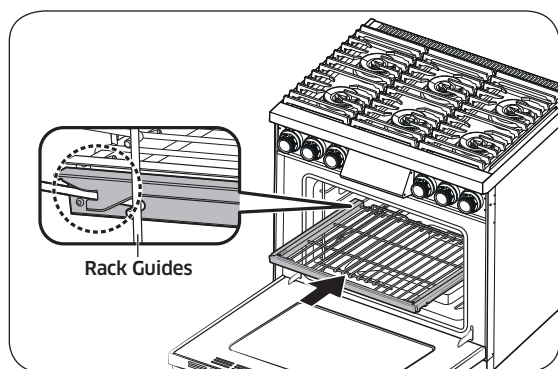
⚠ CAUTION

- Do not cover a rack with aluminum foil or place aluminum foil on the oven bottom. This will hamper heat circulation, resulting in poor baking, and may damage the oven bottom.
- Arrange the oven racks only when the oven is cool.

Using the gliding rack

The fully extendable gliding rack makes food preparation easier, especially when you are preparing heavier dishes. The gliding rack has 2 glide tracks that allow you to extend the rack well out of the oven without touching the sides of the oven walls.

Installing the gliding rack



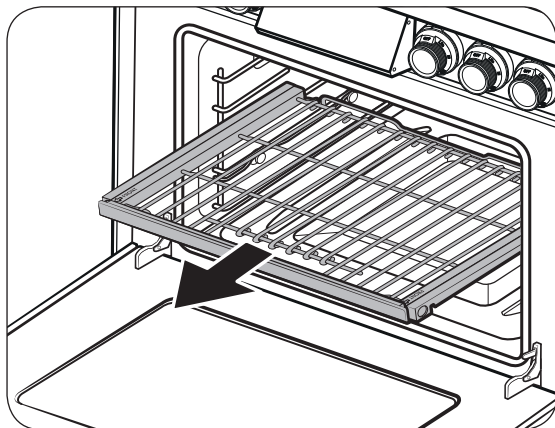
- With the gliding rack in the closed position and the oven off, carefully insert the gliding rack between the guides until the rack reaches the back. See picture on the bottom left for closed position.
- Always grasp the gliding rack by its handle at the center-front of the rack. Pulling by the rack frame can cause the rack to come loose, resulting in spills and possible personal injury.

NOTE

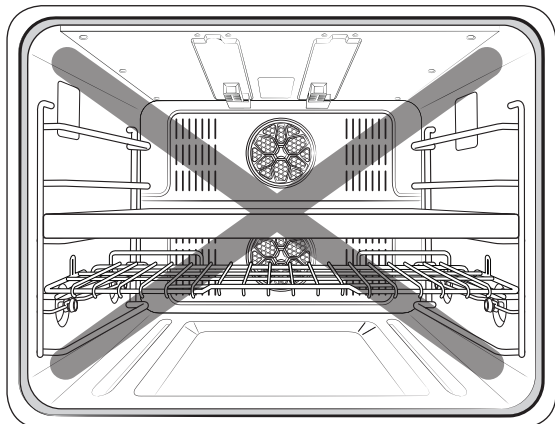
Be sure to lock the gliding rack onto the rack support. Otherwise, the rack may come loose and cause personal injury.

Using the oven

Removing the gliding rack



- With the gliding rack in the closed position and the oven off and cool, grasp the rack and frame and pull both forward to remove.



CAUTION

- Do not attempt to place a gliding rack one level above a wire rack.
- You will not be able to install it properly and the rack could fall.
- Keep at least one open rack level between a glide rack and a flat rack.

NOTE

You may place a gliding rack at any but the lowest level (Level 1).

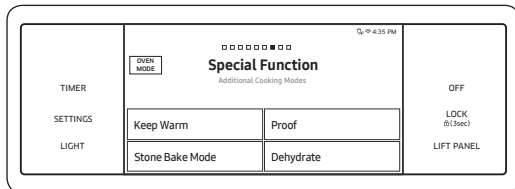
Broiling recommendation guide

The size, weight, thickness, starting temperature, and your doneness preference will affect broiling times. This guide is based on meats at refrigerator temperature. Always use a broiler pan and its grid when broiling. Always preheat the oven for 5 minutes before broiling.

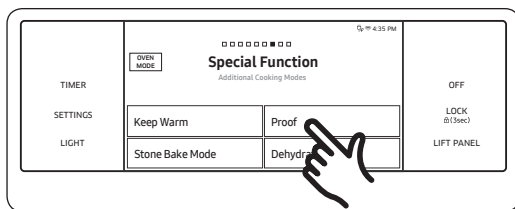
Food	Doneness	Size	Thickness (inch)	Broil	Rack position	Cooking time (min.)	
						1st	2nd
Hamburgers	Medium	9 patties	1	HI	4	4:30-5:00	3:30-4:00
Beef steak	Rare	1 lb.	1	HI	4	4:30-5:30	3:00-4:00
	Medium	1 lb.	1	HI	4	5:00-6:00	5:00-6:00
	Well done	1 lb.	1	MED	4	6:00-7:00	6:00-7:00
Chicken pieces	Well done	1.5 lbs.	½-1	Conv. Broil LO	3	12:00-13:00	9:00-11:00
	Well done	3 lbs.	½-1	Conv. Broil LO	3	16:00-17:00	12:00-14:00
Pork steak	Well done	1-2 pcs	½-1	LO	4	12:00-14:00	9:00-11:00
Chicken breasts	Well done	3-5 pcs	½-1	MED	4	7:00-9:00	8:00-10:00
Salmon steaks	Well done	3-5 pcs	½-1	MED	4	5:00-7:00	4:00-6:00
Fish fillets	Well done	3-5 pcs	¼-½	MED	4	5:00-6:00	4:00-6:00
Cold fillets	Well done	3-5 pcs	1	MED	4	7:00-9:00	7:00-9:00

Using the oven

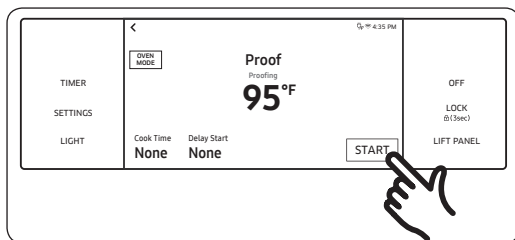
Using the special function feature



1. Swipe the screen to the **Special Function**. The display will show the specialized cooking options.



2. Tap the cooking option you want.



3. Set the temperature you want.

4. Tap **START**.

NOTE

You cannot adjust the temperature of the Keep Warm mode. Keep Warm mode provides only one temperature setting, 175 °F.

Special function provides 4 different specialized cooking options.

Mode	Temperature range
Keep Warm	175 °F (80 °C) **
Proof	95 °F (35 °C) / 105 °F (40 °C)
Stone Bake Mode	375 °F (190 °C) - 475 °F (245 °C)
Dehydrate	105 °F (40 °C) - 225 °F (105 °C)

** This means a factory set temperature is applied for the best performance. You cannot adjust this temperature.

Mode	Instruction
Keep Warm	<ul style="list-style-type: none"> The keep warm mode will keep cooked food warm for serving up to 3 hours after cooking has finished. You can use the keep warm mode without any other cooking operations or you can set it to activate after a timed or delay timed cooking operation. You should not use this mode to reheat cold food.

Mode	Instruction									
Proof	<ul style="list-style-type: none"> • Proof provides an optimal temperature for the bread proofing process. <ul style="list-style-type: none"> - 95 °F / 105 °F • For the best results, always start the Proof option with a cool oven. • Proof mode functions properly only if oven temperature is below 125 °F. • The proofing temperature is not hot enough to keep food warm. • Place the dough in a heat-safe container on rack position 2 or 3 and cover it with a cloth or with plastic wrap. You may need to anchor the plastic wrap underneath the container so that the oven fan does not blow the plastic wrap off the dough. • To avoid lowering the temperature and extending proofing time, do not open the oven door. 									
Stone Bake Mode	<ul style="list-style-type: none"> • Stone accessory required. • Bake on a baking or pizza stone for pizza and bread. • Always do preheat with a stone for the best results. Preheating will take about 30 mins. • When the beep sounds, put pizza or bread on the rack position 1 or 2. 									
Dehydrate	<ul style="list-style-type: none"> • Dehydrate dries food or removes moisture from food via heat circulation. • After drying the food, keep it in a cool and dry place. • For fruit, adding lemon or pineapple juice or sprinkling sugar on the fruit helps the fruit retain sweetness. <table border="1"> <thead> <tr> <th>Category</th> <th>Rack position</th> <th>Temperature (°F)</th> </tr> </thead> <tbody> <tr> <td>Vegetables or Fruit</td> <td>2 or 3</td> <td>105-150</td> </tr> <tr> <td>Meat</td> <td>2 or 3</td> <td>145-225</td> </tr> </tbody> </table>	Category	Rack position	Temperature (°F)	Vegetables or Fruit	2 or 3	105-150	Meat	2 or 3	145-225
Category	Rack position	Temperature (°F)								
Vegetables or Fruit	2 or 3	105-150								
Meat	2 or 3	145-225								

 **NOTE**

- Preheating is not necessary on special function feature except Stone Bake Mode.
- An error beep sounds if the temperature setting is out of the set range.

Using the oven

Rack position chart for special cooking options

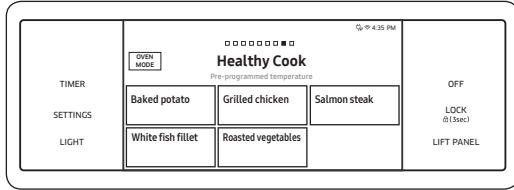
Mode	Rack position
Keep Warm	3
Proof	2 or 3
Stone Bake Mode	1 or 2
Dehydrate	2 or 3

For some common features, refer to **Using the oven** page.

Common features are as follows.

- Basic settings
- Using the temperature probe
- Setting the mode
- Setting the temperature
- Kitchen timer
- Delay start
- Using the clean feature
- Using the Sabbath feature
- Using the iQ Control feature
- To start the oven remotely
- Control lockout
- Settings

Using the healthy cook feature



1. Swipe the screen to the **Healthy Cook**. The display will show the specialized cooking options.



2. Tap the cooking option you want.

Healthy cook provides 5 different specialized cooking options.

Food	Temperature range	Default temperature	Rack position
Baked potato	175 °F (80 °C) - 550 °F (285 °C)	375 °F (190 °C)	3
Grilled chicken	175 °F (80 °C) - 550 °F (285 °C)	375 °F (190 °C)	3
Salmon steak	High/Medium/Low	High	3
White fish fillet	175 °F (80 °C) - 550 °F (285 °C)	400 °F (205 °C)	3
Roasted vegetables	175 °F (80 °C) - 550 °F (285 °C)	375 °F (190 °C)	3

Using the oven

Food	Instruction
Baked potato	<ul style="list-style-type: none">Baked potato is specially designed to cook potatoes or sweet potatoes.
Grilled chicken	<ul style="list-style-type: none">Grilled chicken is specially designed to cook chicken pieces or chicken breasts. To prevent over-browning and drying of the skin, wrap each piece or breast of the chicken in foil.
Salmon steak	<ul style="list-style-type: none">Salmon steak is specially designed to cook salmon steaks.
White fish fillet	<ul style="list-style-type: none">White fish fillet is specially designed to cook white fish fillets or cod fillets.
Roasted vegetables	<ul style="list-style-type: none">Roasted vegetables is specially designed to cook various kind of vegetable such as potatoes, eggplant, zucchini, carrots and etc.

NOTE

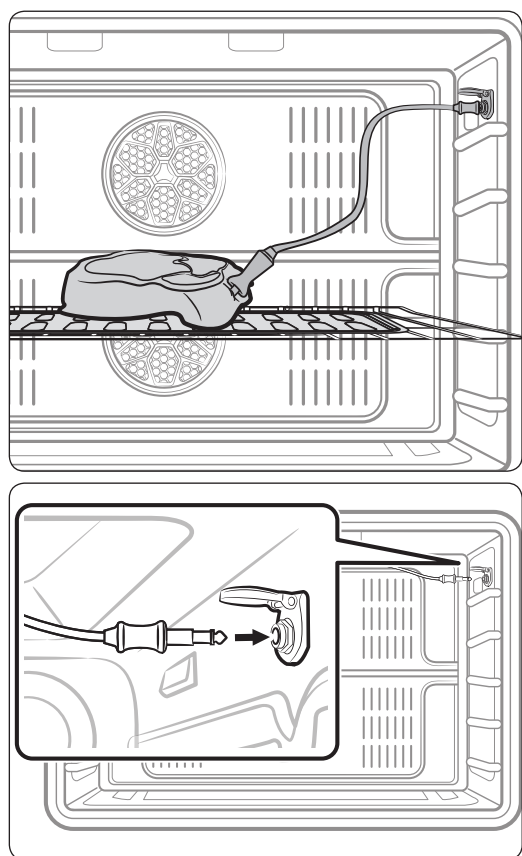
Preheating is not necessary.

Using the temperature probe

For many meats, especially roasts and poultry, measuring the internal temperature is the best way to determine if the food is properly cooked. The temperature probe lets you cook meat to the exact internal temperature you want. This function can be used with Bake, Convection Bake, Convection Roast, or Pro Convection. After the internal temperature of the food reaches 100 °F, the increasing internal temperature will be shown on the display.

How to use the temperature probe

1. Push the probe into the meat, so that the tip is in the center of the meat.



- Insert the probe completely into the meat as shown in the illustrations. It should not touch bone, fat, or gristle. If you do not fully insert the probe into the meat, the temperature probe function will not work correctly because the probe will sense the oven temperature, not the temperature of the meat.
- For bone-in meats, insert the probe into the center of the lowest and thickest portion of the piece.
- For whole poultry (turkey, large chickens, etc.), insert the probe into the thickest part of the inner thigh, parallel to the leg.
- If you activate the Keep Warm function to keep the meat warm after you have cooked it using the temperature probe function, the meat may be overcooked.

Using the oven

2. Plug the temperature probe fully into the socket on the upper-side wall of the oven.
3. Swipe to the cooking operation (Bake, Convection Bake, Convection Roast, or Pro Convection) you want. Select the cooking mode you want. Set the cooking temperature. (See page 43.)
4. Tap **Temp Probe**, and use the numeric pad to set the desired internal temperature.

Available temperatures	100 °F to 200 °F
------------------------	------------------

5. Tap **START**. When the desired internal temperature is reached, the function automatically stops and an alarm sounds.

CAUTION

Do not let the probe tip protrude from the meat. Ensure the tip is in or near the thickest part of the meat.

CAUTION

- To avoid damaging the probe, do not leave it in the oven for any reason other than its intended use.
- To avoid breaking the probe's tip, defrost your food completely.
- To avoid damaging the probe, do not leave it in the oven for any reason other than its intended use. Tongs can damage the probe.
- Use the temperature probe for Temp Probe function cooking only.

NOTE

- If you remove the temperature probe while the Temp Probe function is operating or insert the temperature probe while baking or cooking normally, cooking will stop after 1 minute.
- If you use the probe to cook frozen food, there are times when it cannot be detected. (The probe icon will not appear in the display.)

Temperature table

Type of food		Internal temperature (°F)
Beef / Lamb	Rare	140-150
	Medium	160-170
	Well done	175-185
Pork		175-185
Poultry		185-195

NOTE

If you cover the meat with aluminum foil and allow it to stand for 10 minutes after cooking, the Internal temperature will rise 5-10 degrees.

Removing the temperature probe

Unplug the temperature probe, then remove it from the meat. Store the meat probe in a separate place, do not leave it attached to the socket.

CAUTION

After cooking, the temperature probe is hot enough to cause burns. Let it cool sufficiently before attempting to remove it.

Using the oven

Using the clean feature

Self Clean

During self-cleaning, the oven heats up well above normal cooking levels to burn off and reduce cooking residue to a fine powder that you can wipe away with a damp cloth.

CAUTION

- During the self-cleaning cycle, the outside of the oven will become very hot to touch. **Do not** leave small children unattended near the appliance.
- Some birds are extremely sensitive to the fumes given off during the self-cleaning cycle of any oven. Move birds to another well-ventilated room.
- The oven door locks during self-cleaning. **Do not** force the oven door open. This can damage the automatic door locking system. Use care when opening the oven door after the self-cleaning cycle is complete. Stand to the side of the oven when opening the door to allow hot air or steam to escape. The oven may still be **VERY HOT**.

Self Clean

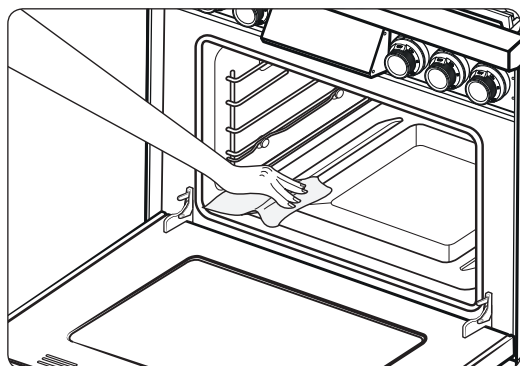


Fig. 1

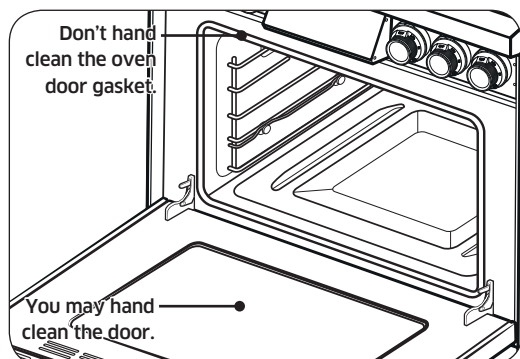


Fig. 2

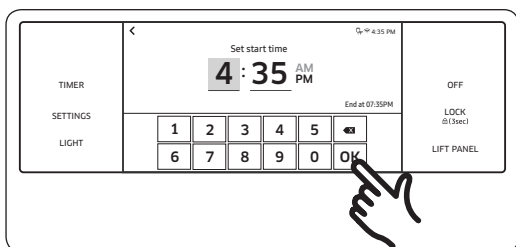
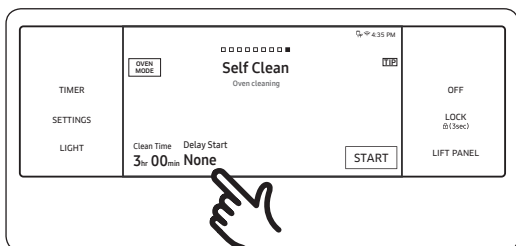
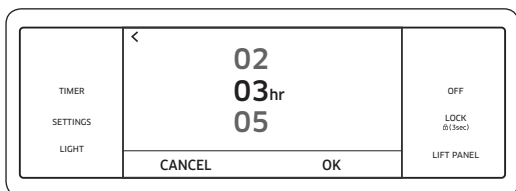
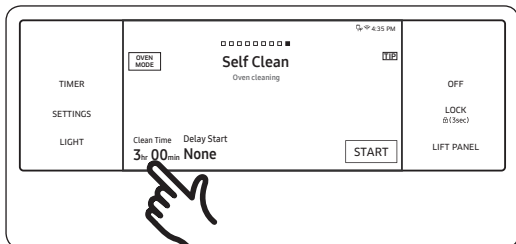
- Keep the kitchen well ventilated during a self-cleaning cycle.
- Remove the racks, rack supports, and all foreign/loose items from the oven.
- Wipe up debris from the oven bottom. (Fig. 1)
- Clean the oven door and front frame around the gasket with hot water and soap-filled steel-wool pads or non-abrasive cleansers. Rinse with clean water and wipe dry.
- The oven-door gasket is fragile and cannot withstand hand-cleaning. Do not clean the gasket. If the gasket becomes worn or frayed, have it replaced.
- Make sure the oven light cover is in place and the oven light is off.

NOTE

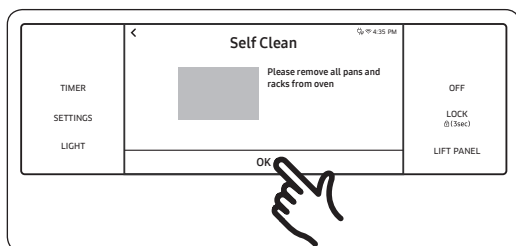
- For details about removing the racks, see pages 48 and 50.
- For details about removing the rack supports, see page 85.

Using the oven

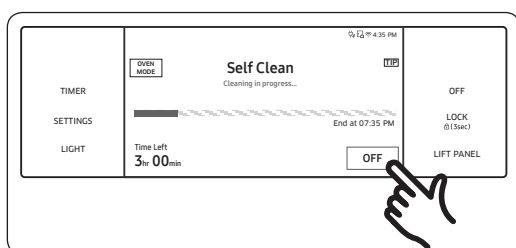
How to run a self cleaning cycle



1. Swipe the screen to Clean.
2. Tap Self Clean.
3. Tap Clean Time.
4. Scroll the screen to select the clean time. You can choose 2 hours, 3 hours, or 5 hours. (The default is 3h).
5. Tap OK.
6. If you do not want to use the Delay Start feature, go to Step 8. Otherwise, tap **Delay Start**, and then go to Step 7.
7. Set the time you want self-cleaning to start, and then tap **OK**.
8. Tap **START** to begin self-cleaning. The motor-driven door lock will engage automatically.



9. Remove all pans, racks and filters from oven.



10. If you need to stop or interrupt a self cleaning cycle, tap **OFF**.

NOTE

- You will not be able to start a self-cleaning cycle if the control lockout feature is activated or if the oven's temperature is too hot.
- The oven doors lock automatically. The display will show the remaining cleaning time. You cannot open the oven doors until the temperature drops to a safe/cool temperature.
- You should not operate cooktop burners during self-cleaning mode.

After a self-cleaning cycle

- You may notice some white ash in the oven. Wipe it up with a damp cloth after the oven cools. (If white spots remain, remove them with a soap-filled steel wool pad and rinse thoroughly with a vinegar and water mixture.)
- If the oven is not clean after one cycle, repeat the cycle.
- You cannot set the oven for cooking until the oven is cool enough for the door to unlock.

Using the oven

Using the Sabbath feature

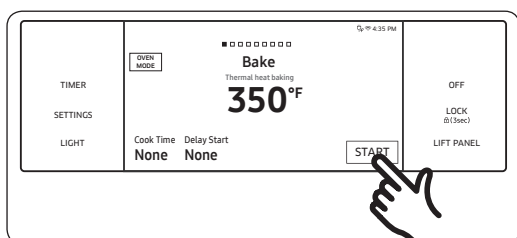
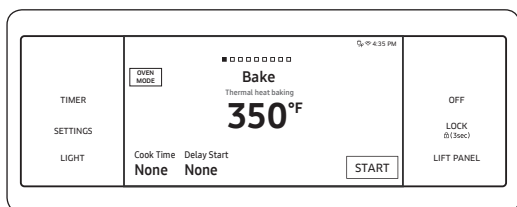
(For use on the Jewish Sabbath & Holidays)



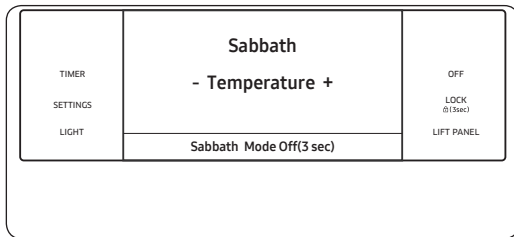
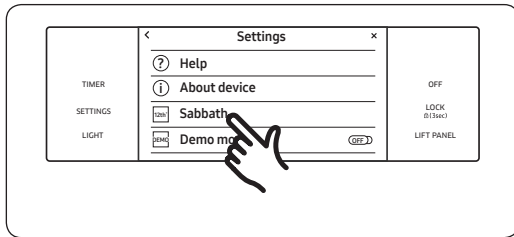
For further assistance, guidelines for proper usage, and a complete list of models with the Sabbath feature, visit :
<http://www.star-k.org>.

You can use the Sabbath feature with baking only. The oven temperature may be set higher or lower after you set the Sabbath feature. (The oven temperature adjustment feature should be used only during Jewish holidays.) The display, however, will not change and tones will not sound when a change occurs. Once the oven is properly set for baking with the Sabbath feature active, the oven will remain on continuously until the Sabbath feature is cancelled. This will override the factory preset 12-hour energy-saving feature. If the oven light is needed during the Sabbath, touch **LIGHT** before activating the Sabbath feature. Once the oven light is turned on and the Sabbath feature is active, the oven interior light will remain on until the Sabbath feature is turned off. If the oven light needs to be off, be sure to turn the oven light off before activating the Sabbath feature.

How to use the Sabbath feature



1. Swipe the screen to **Bake** mode.
2. Set the temperature and cook time you want.
3. Tap **START**.



4. Tap **SETTINGS > Sabbath**, to use the Sabbath feature.
The oven will not beep or display any further changes. You may change the oven temperature once baking has started. Remember that the oven will not beep or display any further changes once the Sabbath feature is engaged.
5. You can turn the oven off at any time by tapping **OFF**. Note that this does not turn Sabbath mode off.
6. To turn Sabbath mode off, touch and hold **Sabbath Mode Off** for 3 seconds.

- ★ Do not attempt to activate any other program feature except Bake while the Sabbath feature is active.
- 📄 After you change the temperature while the unit is in Sabbath mode, there is a 15 second delay before the unit recognizes the change.
- 📄 You can set the Cook Time function before activating the Sabbath feature.
- 📄 Should the power fail, the oven shuts itself off. When power is restored, the oven does not turn itself on. **Sabbath** appears on the control panel, but the oven is not on. Food may be safely removed from the oven during Sabbath mode. but the oven is inoperable until after the Sabbath holidays, at which time you can tap-hold **Sabbath Mode Off** for 3 seconds.
- ★ Do not open the oven door or change the oven temperature for about 30 minutes after you have started Sabbath mode to allow the oven to reach the set temperature. Note that for best performance, the oven fan operates only when the oven temperature is rising.

Using the oven

Using the iQ Control feature


To use the oven's iQ Control feature, you must download the SmartThings app to a mobile device. Functions that can be operated using the SmartThings app may not work smoothly if communication conditions are poor or the oven is installed in a place with a weak Wi-Fi signal.

A Wi-Fi Booster may be necessary. Wi-Fi Booster is not supplied by Dacor.

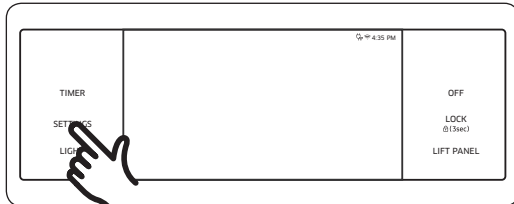
Refer to the following table for the main functions that can be operated from the app.

When iQ Control on the oven is off.	Monitoring (Oven, Probe), Oven off
When iQ Control on the oven is on.	Monitoring (Oven, Probe), Oven off, Error check

How to connect the oven

1. Download and open the SmartThings app on your smart device.
2. Follow the app's on-screen instructions to connect your oven.
3. Once the process is complete, the connected  icon located on your oven displays and the app will confirm you are connected.
4. If the connection icon does not turn on, follow the instructions in the app to reconnect.

To start the oven remotely



Tap **SETTINGS** > **Connections** > **iQ Control**, and then tap **ON**.

When iQ Control is on you can:

- Remotely change oven settings (mode, time, temperature) using your mobile device.
- Remotely turn on/off the oven.

NOTE

Important: Self Clean mode cannot be started remotely.

NOTE

- Opening the oven door will deactivate iQ Control and prevent you from turning the oven on or controlling the oven remotely.
- If iQ Control is deactivated, you can still monitor the oven's status and turn the oven off.
- When oven cooking is finished or cancelled, iQ Control will be deactivated.

Using the oven

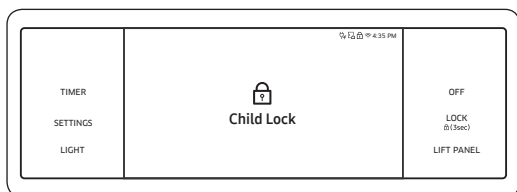
Child Lock

This feature renders the touchpad inoperable and locks the oven door. You can only activate Child Lock when the oven is in standby mode.

How to activate the Child Lock feature



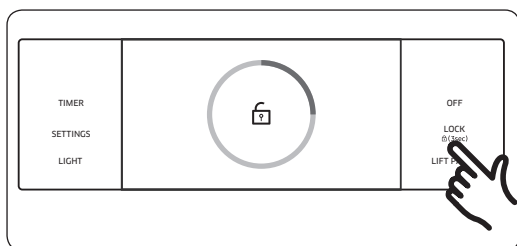
1. Cancel or turn off all functions.
2. Tap-hold **LOCK** for 3 seconds.
3. The Child Lock screen appears; the lock icon appears at the bottom of the screen.



NOTE

- Child Lock is available only when the oven temperature is under 400 °F.
- All other functions must be canceled before you activate Child Lock.

How to unlock the controls



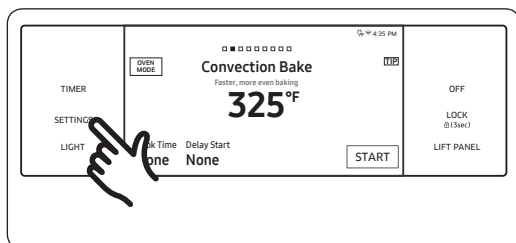
1. Tap-hold **LOCK** for 3 seconds. The Child Lock confirmation and the lock icon will disappear from the display.

NOTE

It may take up to 10 seconds for the door to unlock.

Settings

In Settings, you can change the default settings to your preference or diagnose problems with the network connection.



Tap **SETTINGS**. The display will show the Setting item.

Wi-Fi

To enable a Wi-Fi connection

1. Tap **SETTINGS** > **Connections** > **Wi-Fi**, and then tap **ON** on the right screen.
2. Tap **Wi-Fi**, and then tap a Wi-Fi network in the list that appears.
3. You will be prompted to provide a password for a secure network. Enter the password.

To manually input an IP

1. Tap **SETTINGS** > **Connections** > **Wi-Fi**, and then tap **ON** on the right screen.
2. Tap **Wi-Fi**, and then tap **Add Network**.
3. Enter an IP manually, and then tap **CONNECT** to apply your settings.

NOTE

- To disable a Wi-Fi connection, tap **SETTINGS** > **Wi-Fi**, and then tap **OFF** on the right screen.
- For details about the Wi-Fi connection and using the SmartThings app, see the SmartThings user manual.



Using the oven

Display

- **Brightness**

You can change the brightness of the display screen.

- Tap **SETTINGS > Display > Brightness**, and then use the bar next to Brightness to adjust the brightness of the screen.

- **Screen saver**

If screen saver is turned off, the Clock theme and Timeout menu are disabled.

- Tap **SETTINGS > Display > Screen saver**, and then tap **OFF** on the right screen.

- **Clock theme**

- Tap **SETTINGS > Display > Clock theme**, and then tap on the right screen. You can select a theme.

- **Timeout**

- Tap **SETTINGS > Display > Timeout**, and then tap on the right screen. You can select a time from 5 minutes to 60 minutes.

Temp

- **Temp unit**

You can program the oven control to display the temperature in Fahrenheit (default) or Celsius.

- Tap **SETTINGS > Temp > Temp unit**, and then tap on the right screen. You can select °C or °F.

- **Temp adjust**

The temperature in the oven has been calibrated at the factory. When first using the oven, be sure to follow recipe times and temperatures.

If you think the oven is too hot or too cool, you can correct the temperature in the oven. Before correcting, test a recipe by using a temperature setting that is higher or lower than the recommended temperature.

The baking results should help you to determine the proper adjustment. The oven temperature can be adjusted ± 35 °F (± 19 °C).

- Tap **SETTINGS > Temp > Temperature Adjust**, and then tap on the right screen.

NOTE

This adjustment will not affect the broiling or the self-cleaning temperatures. The adjustment will be retained in memory after a power failure.



Volume

Adjust the volume level of beeps and melodies.

- Tap **SETTINGS** > **Volume**, and then use the bar next to Volume to adjust the volume.

Lighting

Dacor's Pro range provides two distinct lighting features, "Shower lighting" and "Welcome lighting".

"Shower lighting" is a feature that lights knobs from the LED above them.

"Welcome lighting" is a lighting pattern shown when lifting the LED panel.

- To adjust Shower lighting, tap **SETTINGS** > **Lightings**, and then select **On**, **Automatic** or **Off**.
- To adjust Welcome lighting, tap **SETTINGS** > **Lightings**, and then select **On** or **Off**.

12 hour energy saving

If you leave the oven on, this feature will automatically turn off the oven after 12 hours during baking functions or after 3 hours during a broil function.

1. Tap **SETTINGS** > **12 hour energy saving**, and then tap **ON** on the right screen.
2. The 12 hour energy saving icon will appear in the indicator area.

iQ Control

To start the oven remotely.

- Tap **SETTINGS** > **Connections** > **iQ Control**, and then tap **ON**. (See the **Using the iQ Control** feature section on page 66.)

Easy connection

Easy connection lets you easily configure the network settings including the authentication procedure.

- Tap **SETTINGS** > **Connections** > **Easy connection**, and then tap **CONNECT**.

Using the oven

Hood connectivity

By connecting to the hood, the hood turns on/off automatically when you use the cooktop.

1. Tap **SETTINGS > Connections > Hood connectivity**.
2. Turn on Bluetooth on the hood.
3. Tap **CONNECT** on the LCD display to connect to the hood.

	Hood-Control Range	Hood
Model	DOP36M96GL*	DHD30M967W* DHD36M967I* DHD36M987W* DHD48M967I* DHD48M987W*

Help

Help provides useful tips and explanations on a specific item that you select.

1. Troubleshooting
 - Tap a checkpoint directly on the screen, and try the suggestions.
2. Guide for first use
 - Provides simple instructions on the basic use of the oven.

About device

You can see information about the oven and do a software update.

To update the software:

1. Tap **SETTINGS > About device > Software update**, and then tap **Update** in the right screen.
2. Tap **INSTALL**. The software is updated and the system restarts automatically.

Sabbath

You can set Sabbath mode. See the **Using the Sabbath feature** section on page 64.

Remote Management

The call center will access your product remotely to check internal functions when you have some problems.

- Tap **SETTINGS > Connections > Remote management**, and then tap **ACTIVATE**.

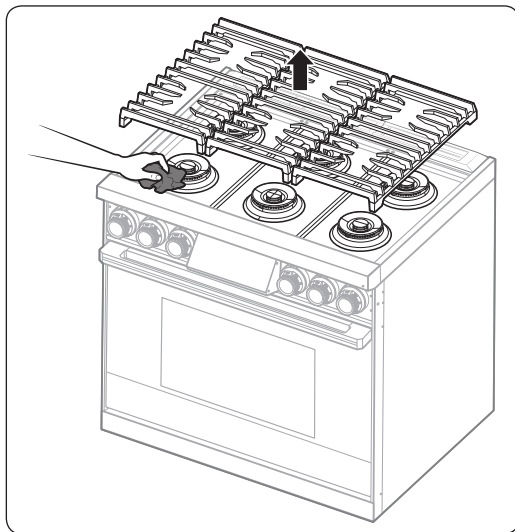
Care and maintenance - Cooktop

⚠ WARNING

Be sure electrical power is off and all surfaces are cool before cleaning any part of the cooktop. Wearing gloves is mandatory while cleaning. Some burners and cooktop parts have sharp edges. Be careful while cleaning.

Cleaning the cooktop surface

You should clean up spills as soon as possible.



1. Turn off all burners.
2. When the grates have cooled sufficiently, remove them.
3. Clean the cooktop surface with a soft cloth. If spills run into gaps in the burner components, remove the burner gaps and head, and wipe up the spills.
4. When finished cleaning, reassemble the burners, and reposition the grates.

⚠ CAUTION

Do not wash burner grates in dishwasher.

Care and maintenance - Cooktop

Stainless steel surfaces

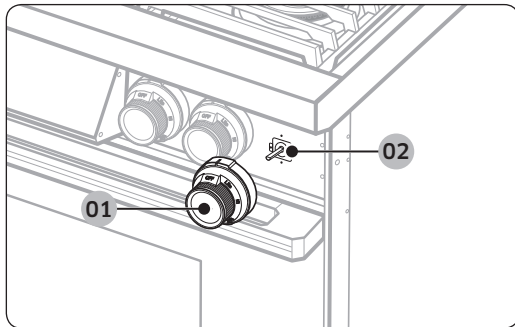
1. Remove any spills, spots, and grease stains using a soft, wet cloth.
2. Apply an approved stainless steel cleaner to a cloth or paper towel.
3. Clean one small area at a time, rubbing with the grain of the stainless steel if applicable.
4. Dry the surface with a soft, dry cloth.
5. Repeat Steps 2 - 4 as needed.

CAUTION

- Do not use items (e.g., steel-wool pad, sharp scraper, abrasive cleanser, caustic lye/sodium hydroxide), which can mar the steel and damage components.
- Do not remove the spill tray to clean it. The gas lines leading to the burner manifolds can be damaged, possibly causing a fire or malfunction.
- Do not pour water into the cooktop. The water could drip into the gas and electrical systems, creating an electric shock hazard or high levels of carbon monoxide (CO) from corroded gas valves/ports.
- Do not spray any type of cleaner into the manifold holes. The ignition system inside them must remain dry.

Control knobs

Turn off all burner knobs.



01 Grasp each knob and pull to remove.

02 Valve stem. Do not remove.

1. Pull the knobs off their valve stems.
2. Clean the knobs in warm, soapy water, then rinse and dry them thoroughly.
3. Clean the stainless-steel surfaces using stainless-steel cleaner.
4. Re-attach the knobs in the **OFF** position to the control valve stems.

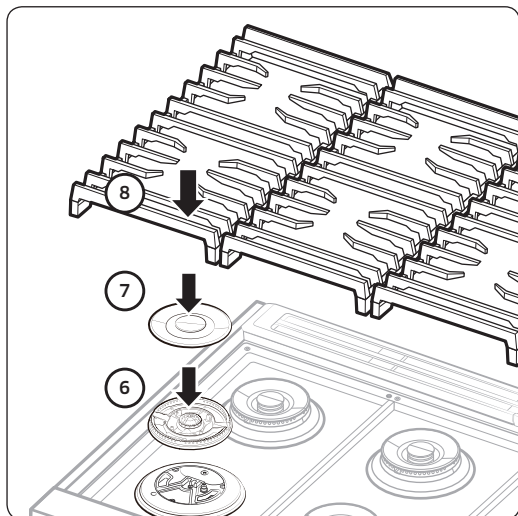
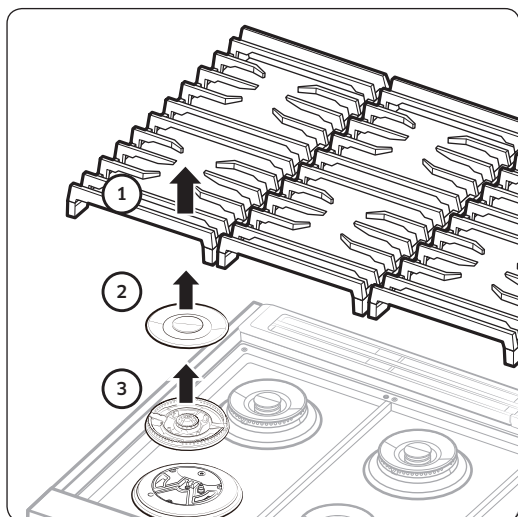
CAUTION

- Do not clean the control knobs in a dish washer.
- Do not spray cleaners directly onto the control panel. Moisture entering the electric circuits may cause electric shock or product damage.

Care and maintenance - Cooktop

Burner grates and components

Turn off all surface burners and make sure they have all cooled down.



1. Remove the burner grates.
2. Remove the burner caps from the burner heads.
3. Remove the burner heads from the valve manifolds to reveal the starter electrodes.
4. Clean the grates and burner components in warm, soapy water. (Do not use steel-wool pads or abrasive cleaners.)
5. Rinse and dry grates and burner components thoroughly. Ensure the burner ports are free of water.
6. Reassemble the burner heads, making sure to insert a starter electrode through the hole in each head.

NOTE

See page 79 for details on how to reassemble the burner components.

7. Reassemble the remaining burner components, making sure the caps lie flat on top of the heads.
8. Re-install the burner grates in their respective positions.
9. Turn on each burner to verify that it works properly, then turn off the burner.

Burner caps and heads

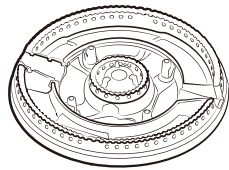
NOTE

Before removing the burner caps and heads, remember their size and location. Replace them in the same location after cleaning.

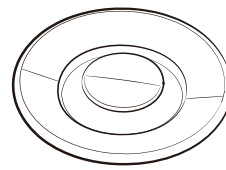
Wash burner caps and burner heads in warm, soapy water and rinse with clean running water. You may scour with a plastic scouring pad to remove burned-on food particles. Use a sewing needle or twist tie to unclog the small holes in the burner head, if required.

CAUTION

- Do not wash any burner parts in a dishwasher.
- Do not use steel wool or scouring powders to clean the burners.



Brass burner head

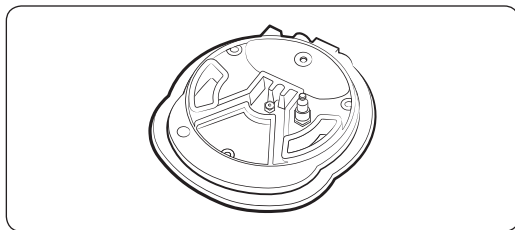


Brass burner cap

NOTE

- The brass parts of your burner will change color. However, this will not affect performance.
- After cleaning, check that all burner ports are unclogged.
- You may swap out the original burner caps for porcelain caps if desired.
- To remove burned-on grease, soak the brass burner cap in a solution of water and either 1 tablespoon of white vinegar or 1 tablespoon of lemon juice. Do not use a metallic brush while cleaning it. It can damage the brass parts.

Burner bases



CAUTION

The burner bases are not removable; do not try to disassemble them.

Make sure that no water gets into the burner bases and the brass gas orifices.

Wipe them clean with a damp cloth, being careful not to mar or deform the bases.

Make sure the bases are completely dry before using the cooktop.

Care and maintenance - Cooktop

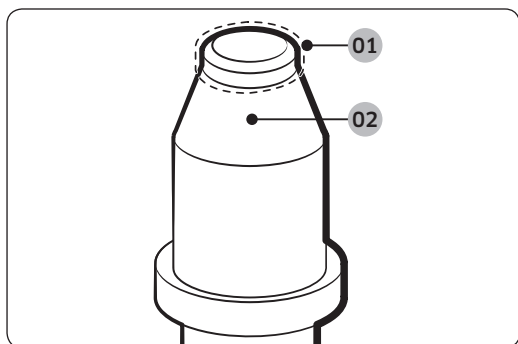
Electrodes

⚠ WARNING

Do not turn on the valve while touching the electrode. Electric shock might occur.

⚠ CAUTION

Do not attempt to remove the electrode from the cooktop or burner bases.



- 01 Metal part:** Clean this metal part
- 02 White ceramic part:** Do not clean this white ceramic part with an emery board

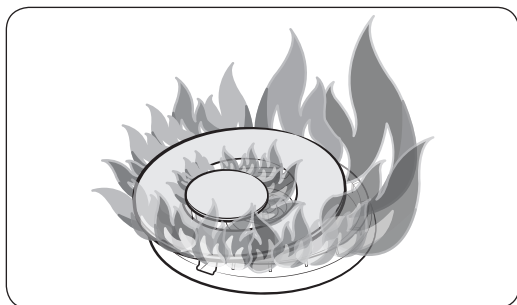
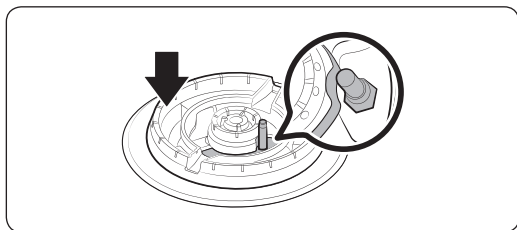
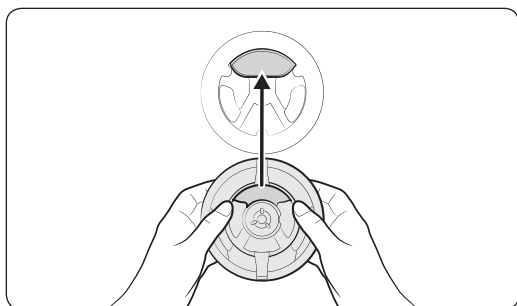
You should never be cooking while you're cleaning the cooktop.

Make sure the white ceramic electrodes are clean and dry. Clean the metal portion with a soft cloth. Do not clean the igniters with water.

Before reassembling the surface burners, push down gently on each of the white ceramic electrodes to make sure they are pressed against the burner bases.

Burner head and cap replacement

Dual Burner head / caps



1. Orient the burner head so the electrode opening aligns with the electrode itself.
2. Install the burner head so the electrode passes through its opening in the head. Verify that the burner head lies flat on the cooktop.
3. Match the burner caps to the burners by size, and then re-install the caps on the burner heads.

CAUTION

Each cap fits on a specific burner head. Verify that each cap is installed and lies flat on the correct head.

NOTE

After installing the burners, verify that they will work properly.

Improperly installed components will result in poor ignition or uneven flames as shown in the illustration at left. If the burner shows uneven flame and excessive yellow flame, shut off the burner immediately and let the burner cool down. Readjust the burner caps and try lighting the burner again. A good flame shows all blue and even flame around the burner.

Care and maintenance - Oven

Care and cleaning of the oven

WARNING

Be sure electrical power is off and all surfaces are cool before cleaning any part of the appliance.

Cleaning painted parts and decorative trim

- For general cleaning, use a cloth with hot, soapy water.
- For more difficult residue and built-up grease, apply a liquid detergent directly onto the area and leave for 30 to 60 minutes. Wipe with a damp cloth and dry. Do not use abrasive material or substances on any oven surfaces. They can be scratched.

Cleaning stainless steel surfaces

1. Shake a bottle of stainless steel appliance cleaner or polish well.
2. Place a small amount of stainless steel appliance cleaner or polish on a damp cloth or damp paper towel.
3. Clean a small area, rubbing along the grain of the stainless steel if applicable.
4. Dry and buff with a clean, dry paper towel or soft cloth.

NOTE

Some paper towels tend to scratch stainless steel, test on an inconspicuous location before using.

5. Repeat as necessary.

NOTE

- Do not use a steel-wool pad. It will scratch the surface.
- If a mineral-oil-based stainless steel appliance cleaner has been used before to clean the appliance, wash the surface with dishwashing liquid and water prior to using the stainless steel appliance cleaner or polish.

Convection filter

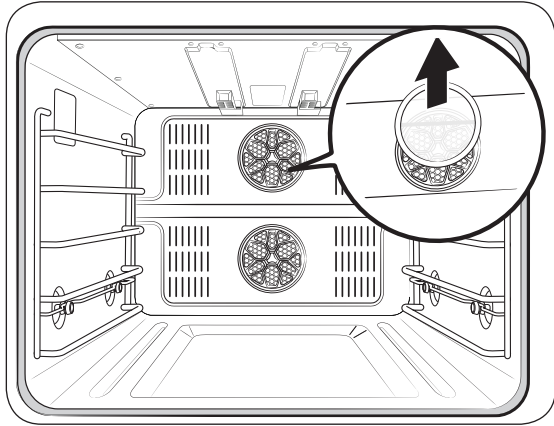
The convection filters are located in the back of each oven chamber.

Clean them regularly. If you allow them to become clogged, the oven's convection cooking modes will not work properly.

NOTE

For your safety and proper oven performance, re-install the convection filters before cooking.

Removing your oven's convection filter

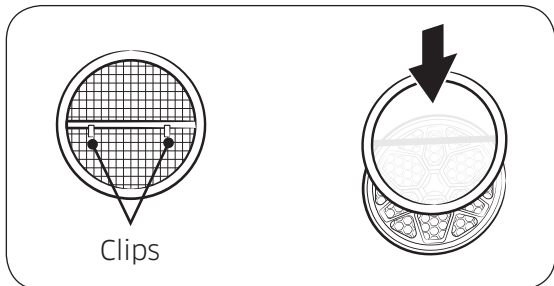


When the oven is cool, put your fingers around the edges of the filter and gently push up.

To clean the filter

Soak the filter in hot, soapy water, and rinse well. You may also place it in a dishwasher on the top rack. Dry the filter before re-installing it.

Installing your oven's convection filter



Carefully hook the metal clips on the back of the filter over the metal bar across the fan hole. Make sure it is centered over the hole. Be careful not to scratch the porcelain surfaces with the back of the filter

Care and maintenance - Oven

Oven racks

- It is recommended to remove racks but if the racks are left in the oven during a self-cleaning cycle, their color will turn slightly blue and the finish will be dull. After the self-cleaning cycle is complete and the oven has cooled, rub the sides of the racks with wax paper or a cloth containing a small amount of oil. This will help the racks glide more easily on their tracks.
- Gliding racks may be cleaned by hand with an abrasive cleaner or steel wool. During cleaning, be careful not to allow water or cleaner to enter the slides on the sides of rack.

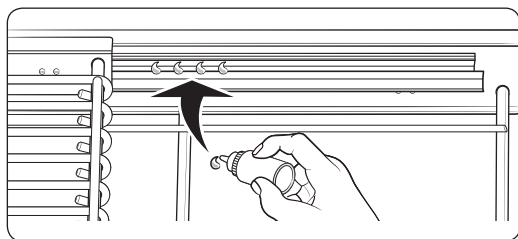
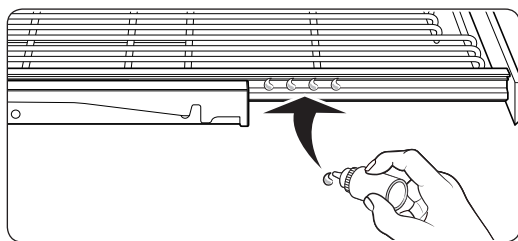
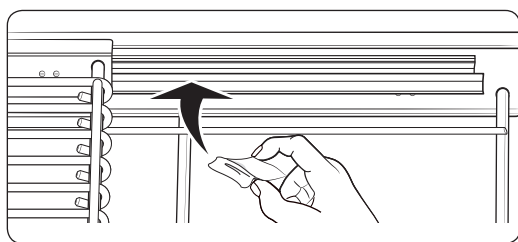
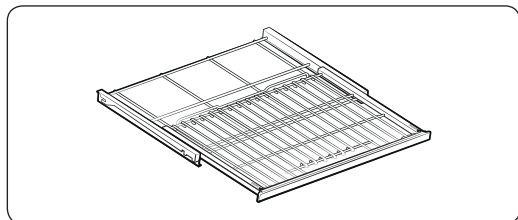
NOTE

- Do not clean the oven racks in a dishwasher.
- If the rack becomes hard to remove or replace, lightly wipe the oven rack guides with cooking oil. Do not wipe cooking oil on the slides.
- If the rack becomes difficult to slide, the rack may need to be lubricated using a graphite lubricant.

NOTE

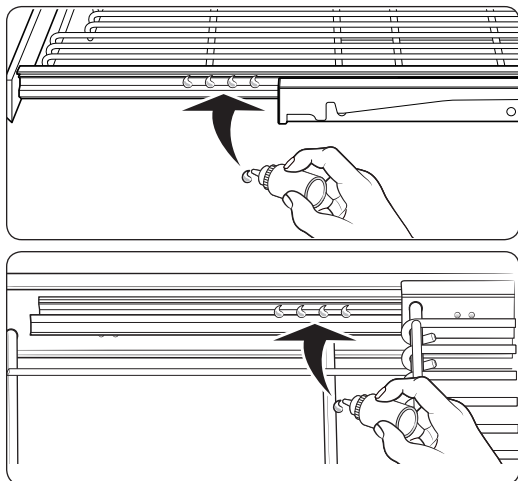
- Graphite lubricant (113614) is available for retail purchase. Verify that the lubricant is FDA-approved.

To lubricate the slides of the gliding rack



1. Remove the rack from the oven. See removing the gliding rack in the **Using the gliding rack** section on page 49.
2. Fully extend the rack on a table or countertop. Newspaper may be placed underneath the rack for easy cleanup.
3. If there is debris in the slide tracks, wipe it away using a paper towel. (Any graphite lubricant wiped away must be replaced - See steps 4 through 7.)
4. Shake the graphite lubricant before opening it. Starting with the left (front and back) slide mechanism of the rack, place four (4) small drops of lubricant on the two (2) bottom tracks of the slide close to the bearing carriers.

Care and maintenance - Oven



5. Repeat for the right (front and back) slide mechanism of the rack.
6. Open and close the rack several times to distribute the lubricant.
7. Replace the cap on the lubricant and shake it again. Turn the rack over and repeat steps 3, 4, 5, and 6.
8. Close the rack, turn the rack right-side-up, and then install it in the oven. See [Installing the gliding rack on page 49](#).

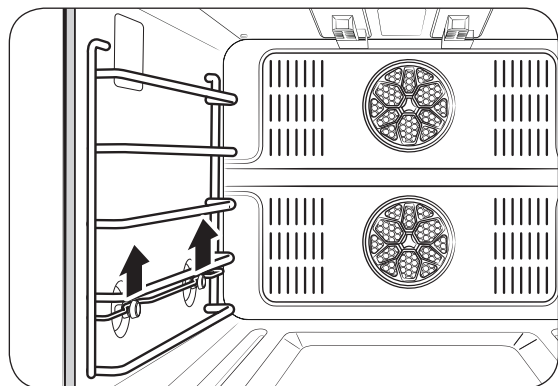
NOTE

Do not spray the gliding rack with cooking spray or other lubricant sprays.

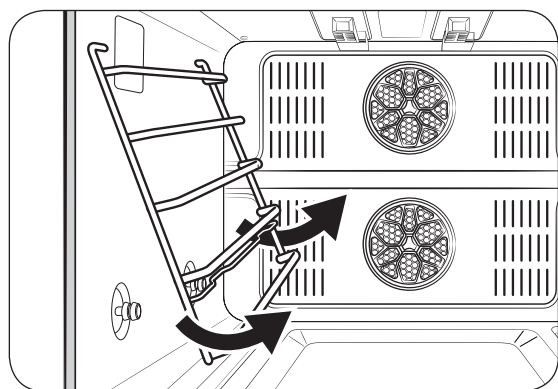
Rack support

Rack supports can be removed for cleaning. (Self Clean and Manual clean).

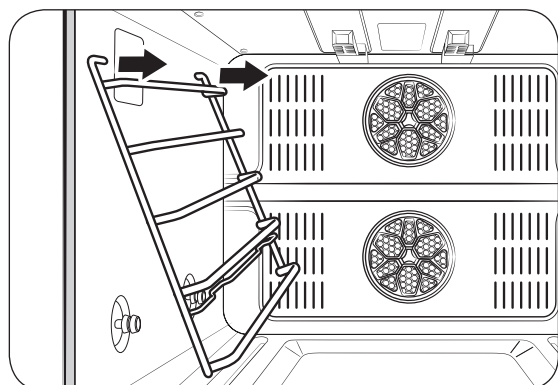
Removing the rack supports



1. Grasp the center of the bottom wire, which is on the supporter, and lift it.



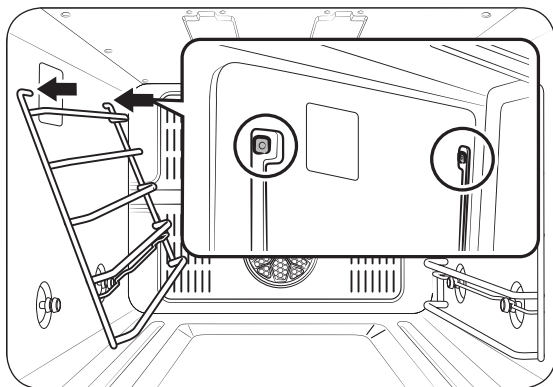
2. Tilt the rack support approximately 45°.



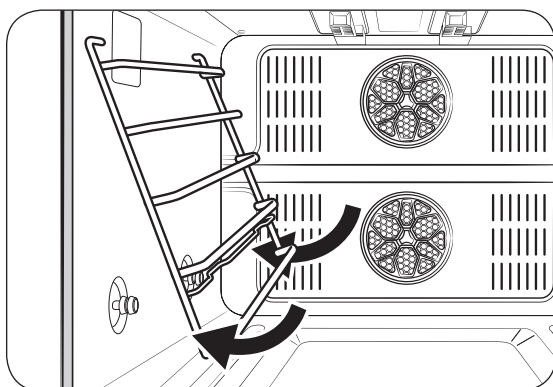
3. Pull and remove the rack support from the two holes.

Care and maintenance - Oven

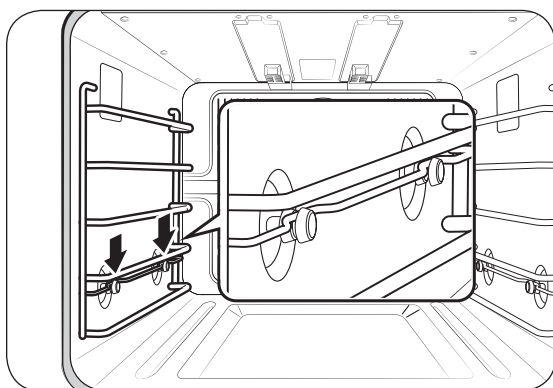
Reinstalling the rack supports



1. Insert the upper tips of the rack support into their respective holes in the oven wall.

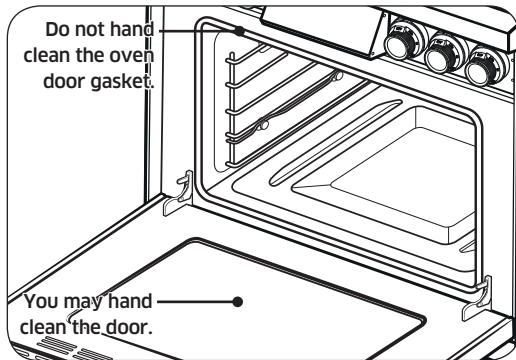


2. Grasping the bottom wire, gently swing the rack support toward the oven wall.



3. Lift the rack and push inward so the retaining wire rests between the knobs on the retaining pins. (See the inset at left.)

Oven door



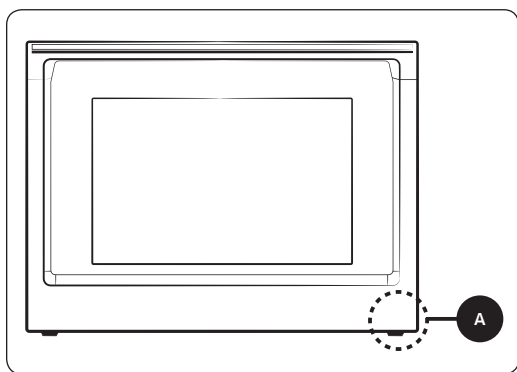
- Use soap and water to thoroughly clean the top, sides, and front of the oven door. Rinse well. You may use a glass cleaner on the outside glass of the oven door. **DO NOT immerse the door in water. DO NOT spray or allow water or the glass cleaner to enter the door vents.** DO NOT use oven cleaners, cleaning powders, or any harsh abrasive cleaning materials on the outside of the oven door.
- **DO NOT clean the oven door gasket.** The oven door gasket is made of a woven material which is essential for a good seal. Care should be taken not to rub, damage, or remove this gasket.

Care and maintenance - Oven

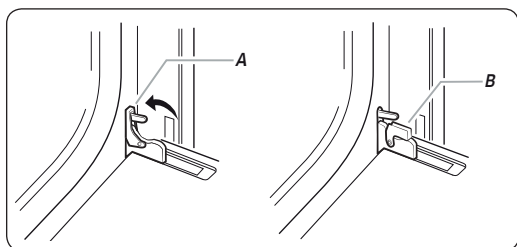
Removing the oven doors

⚠ CAUTION

- The door is very heavy. Be careful when removing and lifting the door.
- Do not lift the door by the handle.
Use two hands to remove an oven door.

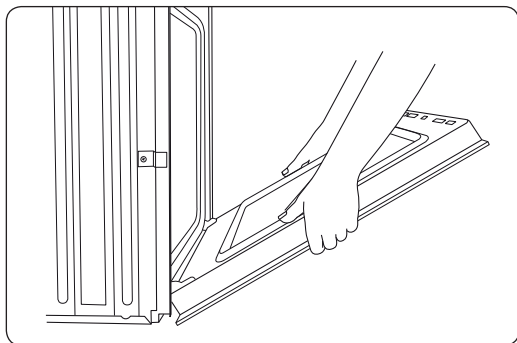


A. Wire Harness

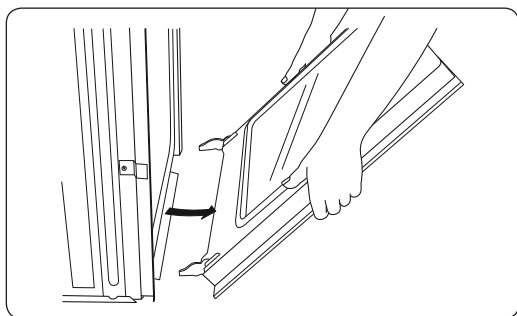


- A. Oven door hinge latch in locked position
- B. Oven door hinge latch in unlocked position

1. Prior to removing the oven door, prepare a surface where you will place it. This surface should be flat and covered with a soft blanket. You can also use the corner posts from your packaging material.
2. Open the oven door.
3. At the bottom corners of the door, flip the hinge locks fully out to unlock them; otherwise, the door cannot be removed.



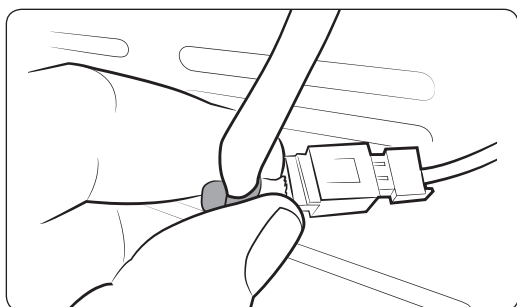
4. Partially close the door to engage the door latch locks. The door will stop at this point.



5. Grasp each side of the door below the handle, and lift the door slightly to expose the cabling at the base.

NOTE

LED light's Wire Harness should be disconnected. Place the door near the range and be careful not to let the door fall down. The door glass is fragile.



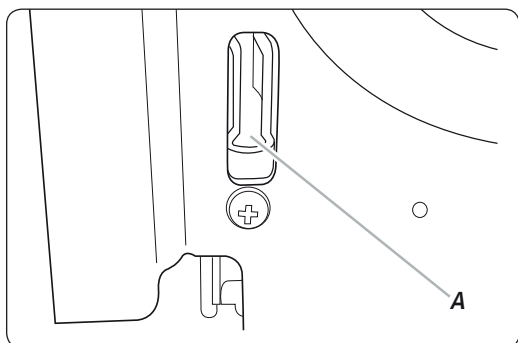
6. Disconnect the LED light's Wire Harness from the bottom right of the door.
7. Set the oven door aside on the prepared covered work surface with the oven door resting on its handle.

Care and maintenance - Oven

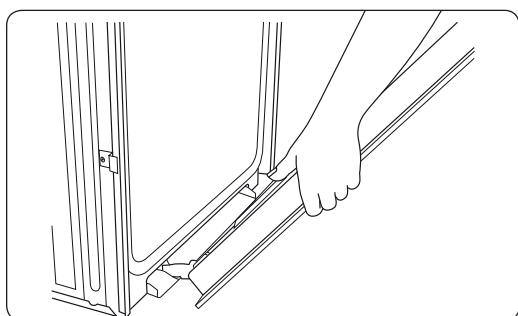
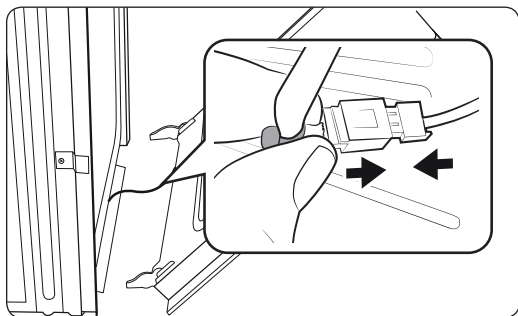
Reinstalling the oven doors

CAUTION

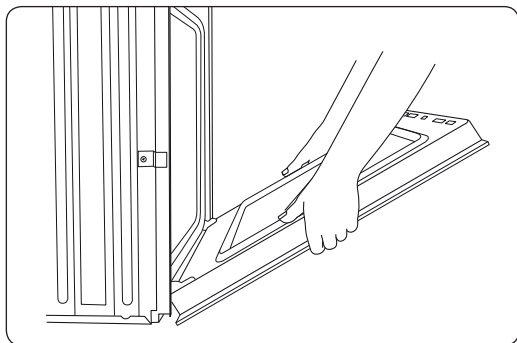
The door is very heavy. You may need help lifting the door high enough to slide it into the hinge slots. Do not lift the door by the handle.



A. Slot in the oven cavity for the door hinge lock



1. Using two hands, grasp the side edges of the door at the midpoint. Face the oven cavity.
2. Place the door near the product. Connect the LED light's Wire Harness.
3. Locate the slots on each side of the oven cavity for the door hinge locks.
4. Hold the door at a 45° angle, and then align the door hinges with the slots in the lower front of the oven cavity. Slowly insert the door, making sure you maintain the 45° angle. You will know the door is engaged in the slot when you feel a slight drop.



5. Open the door fully. If the oven door does not open to a full 90°, repeat steps 1 through 4.
6. At the bottom corners of the door, flip the hinge locks forward to lock them. See Step 3 (illustration A) in the “Removing the oven doors” section for the proper locked position.
7. Close the oven door.

NOTE

When the hinges are properly installed and the door is closed, there should be an even gap between the door and the control panel. If one side of the oven door is hanging lower than the other, the hinge on that side is not properly installed.

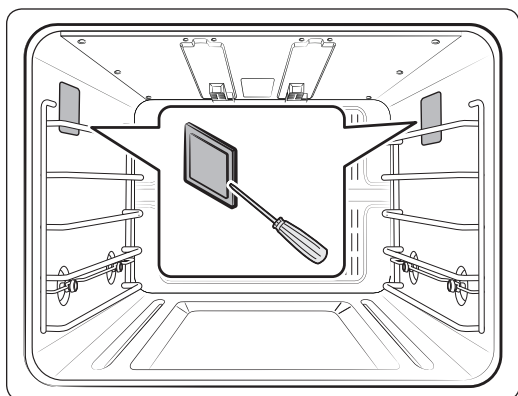
Care and maintenance - Oven

Changing the oven light

The oven light is a standard 40-watt appliance halogen bulb. It comes on when the oven door is open. When the oven door is closed, touch **LIGHT** to turn the light on or off. It will not work during a self-cleaning cycle.

CAUTION

Before changing your oven light, disconnect the electrical power to the oven at the main fuse or circuit breaker panel. Make sure the oven and the halogen bulb are cool.



1. Open the oven door and remove the racks from inside the oven.
2. The oven lamp is in both sides of the oven cavity. Hold the lower end of the cover of the lamp with one hand, and use flat-sharp tool such as a table knife to remove the cover.
3. Remove the oven light bulb.
4. After replacement, install oven light cover.

NOTE

Use rubber gloves to handle halogen lamps. Hand oil shortens the life of a halogen bulb.

5. When done, replace the glass cover, and then reinstall the rack supports.

Troubleshooting

If you run into unexpected trouble, look first for a solution in the tables below. If you are still having trouble after trying the suggested solution, call 833-35-ELITE (833-353-5483).

Gas safety

Problem	Possible cause	Action
You smell gas.	The surface burner knob is not in the OFF position and the burner is not lit.	Turn the burner knob to OFF .
	There is a gas leak.	<ul style="list-style-type: none"> • Clear all occupants from the room/building/area. • Immediately call your gas supplier from a neighbor's home; your own phone may cause a spark that ignites the gas; follow the gas supplier's instructions. • If you cannot reach your gas supplier, call the fire department.

Surface burner

Problem	Possible causes	Action
No burner ignite	The cooktop is unplugged.	Make sure the power cord is plugged into a live, grounded outlet.
	A fuse may have blown; the circuit breaker may have tripped.	Replace the fuse or reset the circuit breaker.
	The gas supply is not properly connected or turned on.	See your cooktop's Installation Instructions. Have a qualified technician connect/turn on the gas supply.
Surface burners do not light. But power and gas are properly supplied.	The control knob is not set properly.	Push in the control knob and turn it to the Lite position.
	<ul style="list-style-type: none"> • The burner caps are not in place. • The burner base is misaligned. 	<ul style="list-style-type: none"> • Clean the electrodes. • Put the burner cap on the burner head. • Align the burner base.
A surface burner clicks during operation.	The control knob has been left in the Lite position.	After the burner ignites, turn the control knob to the desired setting; if the burner still clicks, contact a service technician.

Troubleshooting

Problem	Possible causes	Action
The burners do not burn evenly.	Burner components are not assembled correctly.	Review page 79 .
	Burners are dirty.	<ul style="list-style-type: none"> • Clean the burner components. • Review pages 76, 77, 78.
Very large or yellow surface burner flames.	The wrong burner orifice is installed.	Check the burner orifice size, and contact your installer if you have the wrong orifice (LP gas instead of natural gas or vice versa).

Control display

Problem	Possible cause	Solution
The display goes blank.	A fuse in your home may be blown or the circuit breaker tripped.	Replace the fuse or reset the circuit breaker.
Touch controls do not respond when tapped	There is foreign matter caught between the buttons	Remove the foreign matter and try again.
	There is moisture on the exterior	Remove the moisture and try again.
	The lock function is set	Check whether the lock function is set.

Oven

Problem	Possible cause	Solution
The oven will not turn on.	The oven is not completely plugged into the electrical outlet.	Make sure the electrical plug is inserted into a live, properly grounded outlet.
	A fuse in your home may be blown or a circuit breaker may have tripped.	Replace the fuse or reset the circuit breaker.
	The oven is still too hot from previous use.	Allow the oven to cool.
	Incomplete service wiring.	Call for service.
	Power outage.	Check to see if the house lights will turn on. If necessary, call your local electric company for service.
The oven light will not turn on.	The light is loose or defective.	Tighten or replace the lamp. Call for service if the door light does not turn on.
	The switch operating the light is broken.	Call for service.
The oven smokes excessively during broiling.	The meat has been placed too close to the element.	Lower the oven rack. Preheat the broil element for searing.
	The meat has not been properly prepared.	Remove excess fat from the meat. Cut away fatty edges that may curl, leaving the lean intact.
	Grease has built up on oven surfaces.	Run a self-cleaning cycle; clean the oven chamber frequently to avoid grease buildup.
Food does not bake or roast properly.	The oven rack has been positioned incorrectly or is not level.	See the Using the oven racks section on page 46.
	The oven temperature was improperly set.	See Temp in the Settings section on page 70.

Troubleshooting

Problem	Possible cause	Solution
Food does not broil properly.	The serving size may not be appropriate.	Refer to the Broiling recommendation guide for serving sizes on page 51, and then try again.
	The rack has not been properly positioned.	See the Broiling recommendation guide on page 51.
	The cookware is not suited for broiling.	Use suitable cookware.
	In some areas, the power (voltage) may be low.	Preheat the broil element for 10 minutes. See the Broiling recommendation guide on page 51.
The oven temperature is too high or too low.	The oven temperature needs to be adjusted.	See Temp in the Settings section on page 70.
There is water dripping.	You may see water or steam in some cases depending on the food you are cooking.	Let the oven cool and then wipe with a dry dish towel. This is not a product malfunction.
There is steam coming through the crack between the oven body and the door.		
Water remains in the oven.		
The oven will not self-clean.	The oven temperature is too high to start a self-clean operation.	Allow the oven to cool and then reset the controls.
	The oven controls have been set incorrectly.	See the Self Clean section on page 61.
	A self-cleaning cycle cannot be started if the oven lockout feature has been activated.	Deactivate the oven Child Lock (see page 68).



Problem	Possible cause	Solution
Excessive smoke during a self-cleaning cycle.	There is excessive soil in the oven.	Press OFF . Open the windows to rid the room of smoke. Wait until the self-cleaning cycle is cancelled. Wipe up the excessive soil and then start the self-cleaning cycle again.
The oven door will not open after a self-cleaning cycle.	The oven is too hot.	When the oven cools sufficiently, the automatic door lock will release, and the door can be opened.
The oven is not clean after a self-cleaning cycle.	The oven controls were not set correctly.	See the Self Clean section on page 61 .
	The oven was heavily soiled.	Wipe up heavy spillovers before starting the self-cleaning cycle. Heavily soiled ovens may need to be self-cleaned again or for a longer period of time.
Steam is coming out of the vent.	When using the convection feature, it is normal to see steam coming out of the oven vent.	This is normal operation and not a system failure. Use the oven as usual.
	As the number of racks or amount of food being cooked increases, the amount of visible steam will increase.	
A burning or oily odor is coming from the vent.	This is normal for a new oven and will disappear in time.	To speed the process, set a self-cleaning cycle for a minimum of 3 hours. See the Self Clean section on page 61 .
Strong odor.	An odor coming from the insulation around the inside of the oven is normal for the first few times the oven is used.	Operate the oven empty on the bake setting at 400 °F for 1 hour.
Fan noise.	A convection fan may automatically turn on and off.	This is normal operation.



Troubleshooting

Problem	Possible cause	Solution
The oven racks are difficult to slide.	The shiny, silver-colored racks were cleaned in a self-cleaning cycle.	Apply a small amount of vegetable oil to a paper towel, and then wipe the edges of the oven racks with the paper towel.
The oven door is locked.	The circuit breaker has been tripped or there was a power failure while the oven door was locked.	Activate Control Lockout, and then unlock the control. See the Child Lock section on page 68.

Information codes

Oven

Displayed code	Possible cause	Solution
C-d0	This code occurs if the control key is short for 1 minute.	Clean the buttons and make sure there is no water on/around them. Turn off the oven and try again. If the problem continues, contact a local Dacor service center.
C-d1	This code occurs if the door lock is mispositioned.	Press OFF , and then restart the oven. If the problem persists, disconnect all power to the oven for at least 30 seconds and then reconnect the power. If this does not solve the problem, call for service.
C-F0	This code occurs if communication between the Main and Sub PBA is interrupted.	
C-F2	This code occurs if communication between the Main and Touch is interrupted.	
C-20	The oven sensor is open when the oven is operating.	
	The oven sensor is short when the oven is operating.	
C-21	This code occurs if the internal temperature rises abnormally high.	Restart the appliance.

Displayed code	Possible cause	Solution
C-22	The Sub PCB sensor is open when the oven is operating.	Turn both the mode and temperature selector knobs to OFF , and then restart the oven. If the problem persists, disconnect all power to the oven for at least 30 seconds and then reconnect the power. If this does not solve the problem, call for service.
	The Sub PCB sensor is short when the oven is operating.	
C-23	The temperature probe sensor is short when the oven is operating.	Press OFF , and then restart the oven. If the problem persists, disconnect all power to the oven for at least 30 seconds and then reconnect the power. If this does not solve the problem, call for service.
C-30	The PCB sensor is open when the oven is operating.	
	The PCB sensor is short when the oven is operating.	
C-31	This code occurs if the PCB temperature rises abnormally high.	Call for service
C-A2	The cooling motor is operating abnormally.	Call for service.

Warranty and Service

Warranty

What Is Covered

CERTIFICATE OF WARRANTIES: DACOR RANGES

WITHIN THE FIFTY STATES OF THE U.S.A., THE DISTRICT OF COLUMBIA, AND CANADA:

FULL TWO-YEARS WARRANTY

The warranty applies only to the Dacor appliance sold to the first use purchaser, starting from the date of original retail purchase or closing date for new construction, whichever period is longer. Warranty is valid on products purchased brand new from a Dacor Authorized Dealer, or other seller authorized by Dacor.

If your Dacor product fails to function within one year of the original date of purchase, due to a defect in material or workmanship, Dacor will remedy it without charge to you. All cosmetic damage (such as scratches on stainless steel, paint/porcelain blemishes, etc.) to the product or included accessories must be reported to Dacor within 60 days of the original purchase date to qualify for warranty coverage. Consumable parts such as filters and light bulbs are not covered and are the responsibility of the purchaser.

LIMITATIONS OF COVERAGE

Service will be provided by a Dacor designated service company during regular business hours. Please note service providers are independent entities and are not agents of Dacor. Dealer display and model home display products with a production date greater than 5 years, products sold "As Is," and products installed for non-residential use, which include but are not limited to religious organizations, fire stations, bed & breakfast, and spas carry a one year parts warranty only. All delivery, installation, labor costs, and other service fees are the responsibility of the purchaser.

Warranty will be null and void on product that has altered, defaced, or missing serial numbers and tags.

The owner must provide proof of purchase or closing statement for new construction upon request. All Dacor products must be accessible for service.

Warranty is null and void if non-ETL or non-CUL approved product is transported from the U.S.A.

OUTSIDE THE FIFTY STATES OF THE U.S.A., THE DISTRICT OF COLUMBIA, AND CANADA:

LIMITED TWO-YEARS WARRANTY

If your Dacor product fails to function within two years of the original date of purchase due to a defect in material or workmanship, Dacor will furnish a new part, F.O.B. factory to replace the defective part.

All delivery, installation, labor costs and other service fees are the responsibility of the purchaser.

What Is Not Covered

- Slight color variations may be noticed because of differences in painted parts, kitchen lighting, product placement and other factors; this warranty does not apply to color variation.
- Service calls to educate the customer on proper use and care of the product.
- Service fees for travel to islands and remote areas, which include but are not limited to, ferries, toll roads or other travel expenses.
- Consequential or incidental damage, including but not limited to food or medicine loss, time away from work or restaurant meals.
- Failure of the product when used for commercial, business, rental or any application other than for residential consumer use.
- Failure of the product caused by improper product installation.
- Replacement of house fuses, fuse boxes or resetting of circuit breakers.
- Damage to the product caused by accident, fire, flood, power interruption, power surges or other acts of God.
- Liability or responsibility for damage to surrounding property including cabinetry, floors, ceilings and other structures or objects around the product.
- Breakage, discoloration, or damage to glass, metal surfaces, plastic components, trim, paint or other cosmetic finish caused by improper usage, care, abuse or neglect.

Out of Warranty

Should you experience a service issue beyond the standard warranty period, please contact us. Dacor reviews each issue and customer concern to provide the best possible solution based on the circumstances.

Warranty and Service

THE REMEDIES PROVIDED IN THE ABOVE EXPRESS WARRANTIES ARE THE SOLE AND EXCLUSIVE REMEDIES. THEREFORE, NO OTHER EXPRESS WARRANTIES ARE MADE, AND OUTSIDE THE FIFTY STATES OF THE UNITED STATES, THE DISTRICT OF COLUMBIA AND CANADA, ALL IMPLIED WARRANTIES, INCLUDING BUT NOT LIMITED TO, ANY IMPLIED WARRANTY OF MERCHANTABILITY OR FITNESS FOR A PARTICULAR USE OR PURPOSE, ARE LIMITED IN DURATION TO ONE YEAR FROM THE DATE OF ORIGINAL PURCHASE. IN NO EVENT SHALL DACOR BE LIABLE FOR INCIDENTAL EXPENSE OR CONSEQUENTIAL DAMAGES. IN THE EVENT DACOR PREVAILS IN ANY LAWSUIT, DACOR SHALL BE ENTITLED TO REIMBURSEMENT OF ALL COSTS AND EXPENSES, INCLUDING ATTORNEY'S FEES, FROM THE DACOR CUSTOMER. NO WARRANTIES, EXPRESS OR IMPLIED, ARE MADE TO ANY BUYER FOR RESALE.

Some states do not allow limitations on how long an implied warranty lasts, or do not allow the exclusion or limitation of inconsequential damages, therefore the above limitations or exclusions may not apply to you. This warranty gives you specific legal rights, and you may also have other rights that vary from state to state.

Open-Source Announcement

The software included in this product contains open source software. You may obtain the complete corresponding source code for a period of three years after the last shipment of this product by sending an email to <mailto:oss.request@samsung.com>.

It is also possible to obtain the complete corresponding source code in a physical medium such as a CD-ROM; a minimal charge will be required.

The following URL http://opensource.samsung.com/opensource/OVEN_HKM_TZ/seq/0 leads to the download page of the source code made available and open source license information as related to this product. This offer is valid to anyone in receipt of this information.





Dear Valued Customer,

Thank you for purchasing Dacor. We hope our products empower your passion for cooking!

Inside this box is a set of brass burner caps. These caps are meant to provide an elegant look to your new Dacor product. These caps may be used for cooking, but please know beforehand that they will discolor when used. This is a natural reaction of brass when it comes in contact with the gas flame. We have also included a set of black porcelain burner caps with this product in case you are concerned about the discoloration. Discoloration of burner caps is not covered under our warranty, but new burner caps may be ordered from us if necessary.

We truly hope you enjoy many years of great cooking with your Dacor. If we can be of service, please contact our team at 833-35-ELITE (833-353-5483), extension 2813.

Sincerely,

The Dacor Customer Service Team

MEMO

MEMO



Please visit www.dacor.com to activate your warranty online.

WARRANTY INFORMATION



IMPORTANT:

Your warranty will not begin until you activate it online or return this form to Dacor. If you have purchased more than one Dacor product, please return all forms in one envelope, or activate the warranty for each product online.

Please rest assured that under no conditions will Dacor sell your name or any of the information on this form for mailing list purposes. We are very grateful that you have chosen Dacor products for your home and we do not consider the sale of such information to be a proper way of expressing our gratitude!

Owner's Name: _____
Last (Please Print or Type) First Middle

Street: _____

City: _____ State: _____ Zip: _____

Purchase Date: _____ **Email:** _____ **Telephone:** _____

Dealer: _____

City: _____ State: _____ Zip: _____

Your willingness to take a few seconds to fill in the section below will be sincerely appreciated. Thank you.

1. How were you first exposed to Dacor products? (Please check one only.)

- | | |
|---|---|
| <input type="checkbox"/> A. T.V. Cooking Show | <input type="checkbox"/> F. Builder |
| <input type="checkbox"/> B. Magazine | <input type="checkbox"/> G. Architect/Designer |
| <input type="checkbox"/> C. Appliance Dealer Showroom | <input type="checkbox"/> H. Another Dacor Owner |
| <input type="checkbox"/> D. Kitchen Dealer Showroom | <input type="checkbox"/> I. Model Home |
| <input type="checkbox"/> E. Home Show | <input type="checkbox"/> J. Other _____ |

2. Where did you buy your Dacor appliances?

- | | |
|--|---|
| <input type="checkbox"/> A. Appliance Dealer | <input type="checkbox"/> D. Builder |
| <input type="checkbox"/> B. Kitchen Dealer | <input type="checkbox"/> E. Other _____ |
| <input type="checkbox"/> C. Builder Supplier | |

3. For what purpose was the product purchased?

- | | |
|---|---|
| <input type="checkbox"/> A. Replacement only | <input type="checkbox"/> C. New Home |
| <input type="checkbox"/> B. Part of a Remodel | <input type="checkbox"/> D. Other _____ |

4. What is your household income?

- | | |
|---|---|
| <input type="checkbox"/> A. Under \$75,000 | <input type="checkbox"/> D. \$150,000 - \$200,000 |
| <input type="checkbox"/> B. \$75,000 - \$100,000 | <input type="checkbox"/> E. \$200,000 - \$250,000 |
| <input type="checkbox"/> C. \$100,000 - \$150,000 | <input type="checkbox"/> F. Over \$250,000 |

5. What are the brands of appliances that you have in your kitchen?

- | | |
|------------------|-----------------------|
| A. Cooktop _____ | C. Dishwasher _____ |
| B. Oven _____ | D. Refrigerator _____ |

6. Would you buy or recommend another Dacor product?

- | | |
|------------------------------|-----------------------------|
| <input type="checkbox"/> Yes | <input type="checkbox"/> No |
|------------------------------|-----------------------------|

Comments: _____

Thank you very much for your assistance. The information you have provided will be extremely valuable in helping us plan for the future and giving you the support you deserve.

Place Serial Number Label Here

Website: www.dacor.com

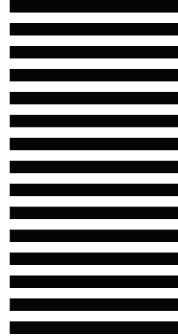
Phone: 833-35-ELITE (833-353-5483)

cut here

cut here



NO POSTAGE
NECESSARY
IF MAILED
IN THE
UNITED STATES



BUSINESS REPLY MAIL
FIRST-CLASS MAIL PERMIT NO 1600 CITY OF INDUSTRY CA

POSTAGE WILL BE PAID BY ADDRESSEE

DACOR
ATTN: WARRANTY PROCESSING DEPT
PO BOX 90070
CITY OF INDUSTRY, CA 91715-9907



fold here



DG68-01105C-02



Dacor • 14425 Clark Avenue, City of Industry, CA 91745 • Phone: 833-35-ELITE (833-353-5483) • Fax: (626) 403-3130 • www.dacor.com



dacor[®]

Manual del usuario

Estufa Modernist Pro

DOP36M96GL*

ADVERTENCIA: No seguir las instrucciones de este manual con exactitud puede provocar un incendio o una explosión causante de daños a la propiedad, lesiones personales o la muerte.

- **NO** guarde ni utilice gasolina u otros productos inflamables cerca de este artefacto.
- **SI HAY OLOR A GAS:**
 - **NO** encienda ningún artefacto.
 - **NO** toque ningún interruptor eléctrico.
 - **NO** utilice ningún teléfono dentro del edificio.
 - Llame inmediatamente al proveedor de gas desde el teléfono de un vecino y siga las instrucciones del proveedor. (Si no puede comunicarse con el proveedor de gas, llame al departamento de bomberos.)
- La instalación y el servicio técnico deben ser realizados por un instalador calificado, agencias de servicio técnico o el proveedor de gas.

DISPOSITIVO ANTI INCLINACIÓN

⚠ ADVERTENCIA

Para reducir el riesgo de inclinación o vuelco de la estufa, ésta debe estar asegurada mediante un Dispositivo Anti Inclinación correctamente instalado.

DESPUÉS DE INSTALAR LA ESTUFA, CONFIRME QUE EL DISPOSITIVO ANTI INCLINACIÓN ESTÉ CORRECTAMENTE INSTALADO Y VERIFIQUE QUE ESTÉ CORRECTAMENTE CONECTADO. Consulte el manual de instalación donde se brindan las instrucciones correspondientes.

- a) Si el dispositivo anti inclinación no está instalado, un niño o un adulto podrían inclinar la estufa y morir.
- b) Verifique que el dispositivo anti inclinación haya sido instalado y conectado correctamente en la parte posterior derecha (o posterior izquierda) de la base de la estufa.

-
- c) Si mueve la estufa y luego la vuelve a colocar en su lugar, asegúrese de volver a conectar el dispositivo anti inclinación en la parte posterior derecha o izquierda de la base de la estufa.
 - d) No opere la estufa sin el dispositivo anti inclinación en su lugar y conectado. No hacerlo puede provocar la muerte o quemaduras serias a niños o adultos.



⚠ ADVERTENCIA

No se pare sobre la puerta del horno de la estufa, ni se apoye o siente sobre ella. Puede causar que la estufa se incline o vuelque, produciendo quemaduras o lesiones severas.

Confirme que el dispositivo anti inclinación se encuentre instalado correctamente. Luego, para verificar que dicho dispositivo esté conectado, tome el borde superior trasero de la estufa y cuidadosamente intente inclinarla hacia adelante. El dispositivo anti inclinación debería prevenir que la estufa se incline hacia adelante más de unas pocas pulgadas.

Si, por cualquier razón, hala la estufa alejándola de la pared, asegúrese de que el dispositivo anti inclinación encaje correctamente cuando empuje la estufa a su lugar contra la pared. Si no se encuentra encajado, hay riesgo de que la estufa se incline o vuelque y cause lesiones si usted o un niño se parasen, sentasen o apoyasen sobre una puerta abierta.

Nunca retire completamente las patas niveladoras. Si las retira, la estufa no quedará sujeta correctamente al dispositivo anti inclinación.

Contenido

Antes de comenzar	7
Importante	7
Sugerencias para ahorrar energía	7
Ventilación del horno/orificios de refrigeración	8
Aviso sobre regulaciones	9
Instrucciones de seguridad importantes	13
Descripción general	23
Esquema	23
Pantalla	24
Elementos incluidos	25
Uso de la placa de cocción	26
Quemadores	26
Encendido	28
Utensilio de cocina	30
Rejillas	32
Aro para wok	33
Uso del horno	34
Ajustes básicos - reloj, fecha y hora, idioma	34
Temporizador de cocina	35
Cocción por temporizador	37
Retrasar el inicio	39
Funciones del horno	40
Configuración del modo	43
Ajuste de la temperatura	43
Instrucciones básicas de horneado y asado a la parrilla	44
Uso de las rejillas del horno	46
Uso de la rejilla deslizante	49
Uso de la función especial	52
Uso de la función de comida saludable	55
Uso de la sonda de temperatura	57
Uso de la función de limpieza	60
Uso de la función sabbat	64
Uso de la función de iQ Control	66
Para iniciar el horno de manera remota	67
Seguro para niños	68
Configuración	69

Cuidado y mantenimiento - placa de cocción	73
Limpeza de la superficie de la placa de cocción	73
Superficies de acero inoxidable	74
Perillas de control	75
Rejillas de los quemadores y componentes	76
Tapas y cabezales de los quemadores	77
Bases de los quemadores	78
Electrodos	78
Reemplazo del cabezal y la tapa de los quemadores	79
Cuidado y mantenimiento - horno	80
Cuidado y limpieza del horno	80
Cómo retirar las puertas del horno	88
Colocar nuevamente las puertas del horno	90
Recambio de la luz del horno	92
Resolución de problemas	93
Códigos de información	98
Garantía y servicio técnico	100
Garantía	100
Anuncio de código abierto	103



Estimado cliente:

Felicitaciones por haber adquirido este vanguardista producto Dacor®. Nuestra excepcional combinación de funciones, estilo y rendimiento nos convierte una excelente incorporación a su hogar.

Para familiarizarse con los controles, las funciones y el potencial de su nueva estufa Dacor, lea detenidamente este manual de uso y cuidado, comenzando por la sección **Antes de comenzar** (pág. 7).

Los electrodomésticos Dacor se han diseñado y fabricado con la calidad y el orgullo que determina el marco de valores de nuestra empresa. Si tuviera algún problema con su estufa, antes consulte **Resolución de problemas** (Pág. 93 - 99), donde encontrará sugerencias y soluciones que pueden evitar una llamada al servicio de reparación.

La valiosa opinión de los clientes nos ayuda a mejorar constantemente nuestros productos y servicios, y por ello le rogamos que contacte con nuestro equipo de Atención al cliente siempre que necesite asistencia con alguno de sus productos.

Centro de atención al cliente de Dacor

14425 Clark Avenue
City of Industry, CA 91745

Teléfono: 833-35-ELITE (833-353-5483) EE.UU., Canadá

Fax: (626) 403-3130

Horario: Lun a Vier, 5:00 hs a 17:00 hs Hora del Pacífico

Sitio web: www.dacor.com/customer-care/contact-us

Información del producto: knowledgebase.dacor.com

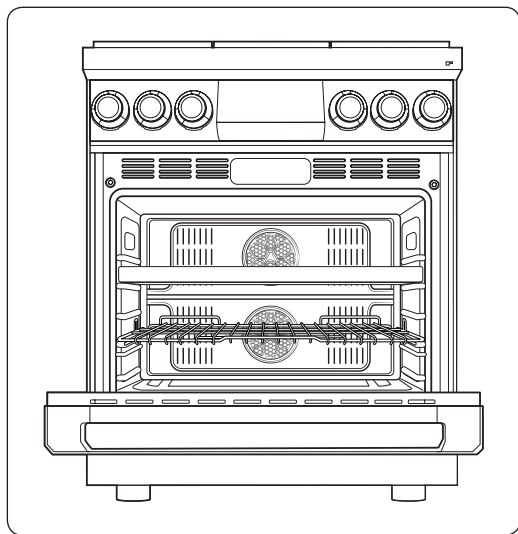
Gracias por elegir Dacor para su hogar. Somos una empresa formada por familias y para familias, y nuestra misión es servirlos. Estamos seguros de que su nueva estufa Dacor le ofrecerá un alto nivel de rendimiento y disfrute por muchas décadas.

Atentamente,

The Dacor Customer Assurance Team

Antes de comenzar

Importante



- El diseño y/o los accesorios generales pueden variar dependiendo del modelo.

Limpie el horno a fondo antes de utilizarlo por primera vez. Luego, retire los accesorios, programe el horno para hornear y haga funcionar el horno a 400 °F durante 1 hora. Se notará un olor característico. Esto es normal.

Asegúrese de que su cocina se encuentre bien ventilada durante el período de acondicionamiento.

Instalador

- A fin de promover la seguridad y minimizar los problemas, lea este manual detenidamente antes de iniciar la instalación. Deje este manual al usuario final.
- Anote el número de modelo y de serie del electrodoméstico en este manual como referencia para el servicio y el mantenimiento.

Usuario

- Conserve este manual para referencia personal y de los inspectores, técnicos de servicio, etc.

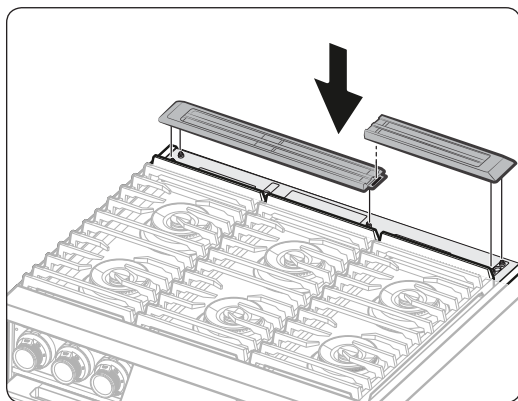
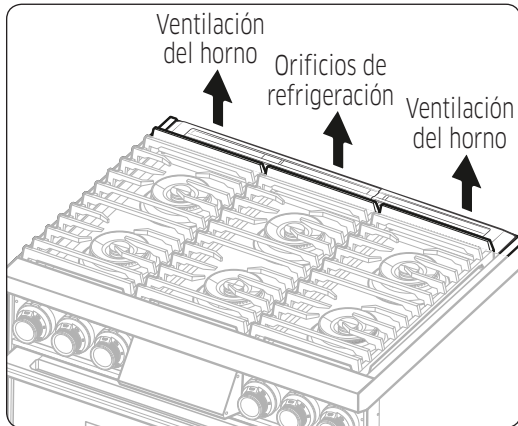
Sugerencias para ahorrar energía

- Durante la cocción, la puerta del horno debe permanecer cerrada excepto para dar la vuelta a los alimentos. No abra la puerta con frecuencia durante la cocción para mantener la temperatura del horno y ahorrar energía.
- Si el tiempo de cocción supera los 30 minutos, puede apagar el horno 5-10 minutos antes del fin del tiempo de cocción para ahorrar energía. El calor residual completará el proceso de cocción.
- Para ahorrar energía y reducir el tiempo necesario para volver a calentar el horno, planifique el uso del horno para evitar tener que apagarlo entre la cocción de un alimento y el siguiente.
- Cuando sea posible cocine más de un alimento a la vez.

Antes de comenzar

Antes de comenzar

Ventilación del horno/orificios de refrigeración



Tanto la ventilación del horno como los orificios de refrigeración se ubican en la parte posterior de la estufa de gas. La adecuada circulación de aire evita los problemas de combustión y asegura un buen desempeño.

- No bloquee la ventilación ni coloque objetos alrededor.
- Tenga cuidado al colocar objetos cerca de la ventilación. El vapor caliente puede hacer que se sobrecalienten o se derritan.
- Tenga cuidado cuando opere el horno en cualquiera de los modos. El horno expulsa aire muy caliente a través de la ventilación.
- Asegúrese de que la tapa de ventilación del horno se asiente firmemente sobre la cubierta. Puede verificar que la tapa de ventilación del horno se encuentra en la posición correcta confirmando que las pestañas de la parte inferior encajan en las ranuras correspondientes de la cubierta.

Aviso sobre regulaciones

1. Aviso de la FCC

PRECAUCIÓN

PRECAUCIÓN DE LA FCC: Todos los cambios y las modificaciones que no cuenten con la aprobación expresa de la parte responsable del cumplimiento invalidará la autoridad del usuario para operar el equipo.

Este dispositivo cumple con la sección 15 de las normas de la FCC. El funcionamiento se encuentra sujeto a las siguientes dos condiciones:

- 1) Este dispositivo no puede causar interferencia dañina, y
- 2) Este dispositivo debe aceptar la recepción de cualquier interferencia, incluidas aquellas que puedan causar un funcionamiento indeseado.

En los productos disponibles en los mercados de Estados Unidos/Canadá, solo están disponibles los canales 1-11. No se pueden seleccionar otros canales.

DECLARACIÓN DE LA FCC:

Este equipo ha sido sometido a pruebas y se ha determinado que se encuentra dentro de los límites para los dispositivos digitales clase B, de acuerdo con la sección 15 de las Normas de la FCC. Estos límites están destinados a ofrecer una protección razonable contra interferencias perjudiciales en una instalación residencial.

Este equipo genera, utiliza y puede irradiar energía de radiofrecuencia y, si no se lo instala y utiliza de acuerdo con las instrucciones, puede provocar interferencia perjudicial a las comunicaciones de radio. Sin embargo, no se garantiza que no habrá interferencia en alguna instalación determinada. Si este equipo causa interferencia perjudicial con la recepción de radio o televisión, lo que puede determinarse apagando y encendiendo el equipo, se recomienda que el usuario intente corregir la interferencia de una de las siguientes maneras:

- Reorientar o reubicar la antena receptora.
- Aumentar la separación entre el equipo y el receptor
- Conectar el equipo a una toma de un circuito distinto de aquel al que están conectados la radio o el televisor.



Aviso sobre regulaciones

- Consultar al distribuidor o a un técnico de radio/TV experimentado para obtener ayuda.

DECLARACIÓN DE LA FCC SOBRE LA EXPOSICIÓN A LA RADIACIÓN:

Este equipo cumple con los límites de exposición a la radiación establecidos por la FCC para un entorno no controlado. Este equipo debe ser instalado y operado a una distancia mínima de 8 pulgadas (20 cm) entre su cuerpo y el radiador. Este dispositivo y su antena no deben ubicarse cerca ni utilizarse junto con ninguna otra antena o transmisor.

2. Aviso de IC

El término “IC” antes del número de certificación de radio indica que se cumplieron las especificaciones técnicas de Industry Canada. El funcionamiento se encuentra sujeto a las siguientes dos condiciones: (1) este dispositivo no puede causar interferencias, y (2) este dispositivo debe aceptar cualquier interferencia, incluidas aquellas que puedan provocar un funcionamiento no deseado.

Este aparato digital de Clase B cumple con la norma ICES-003 de Canadá.

En los productos disponibles en los mercados de Estados Unidos/Canadá, solo están disponibles los canales 1-11. No se pueden seleccionar otros canales.



DECLARACIÓN DE IC SOBRE LA EXPOSICIÓN A LA RADIACIÓN:

Este equipo cumple con los límites de exposición a la radiación IC RSS-102 establecidos para un entorno no controlado. Este equipo debe ser instalado y operado a una distancia mínima de 8 pulgadas (20 cm) entre su cuerpo y el radiador. Este dispositivo y su antena no deben ubicarse cerca ni utilizarse junto con ninguna otra antena o transmisor.



Equipo tipo EUT	Emisor no intencional según FCC Parte 15
Tipo de producto	Estufa de gas
Marca comercial	Dacor
Modelo	DOP36M96GL*
Variante de modelo	
Reglas aplicadas	47 CFR Parte 15, Subparte B / ANSI C63.4-2014 ICES-003 Edición 6
RESPONSABLE EN EE.UU.	Samsung Electronics America QA Lab 19 Chapin Rd. Building D Pine Brook NJ 07058 Tel: 1-973-808-6375 Fax: 1-973-808-63

Aviso sobre regulaciones

Instrucciones de seguridad generales

Esta unidad ha sido sometida a pruebas y se ha determinado que cumple con los límites para un dispositivo digital clase B, de acuerdo con la Sección 18 de las normas de la FCC. Estos límites están destinados a ofrecer una protección razonable contra interferencias perjudiciales en una instalación residencial. Esta unidad genera, utiliza y puede irradiar energía de radiofrecuencia y, si no se instala y utiliza de acuerdo con las instrucciones, puede provocar interferencias perjudiciales en las comunicaciones de radio.

Sin embargo, no se garantiza que no habrá interferencia en alguna instalación determinada. Si esta unidad causa interferencias perjudiciales en la recepción de radio o televisión, lo cual puede determinarse apagando y encendiendo la unidad, se recomienda que el usuario intente corregir la interferencia a través de una o más de las siguientes maneras:

- Reorientar o reubicar la antena receptora.
- Aumentar la distancia entre la unidad y el receptor.
- Conectar el equipo a una toma de un circuito distinto de aquel al que están conectados la radio o el televisor.

Instrucciones de seguridad importantes

Lea todas las instrucciones antes de usar este electrodoméstico

- Todos los equipos eléctricos y a gas con piezas móviles pueden ser peligrosos. Asegúrese de leer las instrucciones de seguridad importantes de este manual. Las instrucciones deben seguirse para minimizar el riesgo de daños a la propiedad, lesiones o muerte.
- Conserve este manual en un lugar accesible para que pueda consultarlo cuando sea necesario.

Símbolos usados en este manual

ADVERTENCIA

Prácticas peligrosas o inseguras que pueden provocar lesiones personales graves o la muerte.

PRECAUCIÓN

Prácticas peligrosas o inseguras que pueden provocar descargas eléctricas, lesiones personales o daños a la propiedad.

NOTA

Instrucciones y sugerencias útiles

Estos símbolos de advertencia tienen como función evitar daños a la propiedad y lesiones personales. Cúmplalos explícitamente.



Instrucciones de seguridad importantes

California Proposición 65 Advertencia

ADVERTENCIA

Cáncer y Daño Reproductivo - www.P65Warnings.ca.gov

Mancomunidad de Massachusetts

Este producto debe ser instalado por un plomero con licencia o un gasista matriculado o con licencia del Estado de Massachusetts. Cuando se utilicen válvulas de bola para el cierre del gas, se debe usar una manija en forma de "T". No deben conectarse varios conductos flexibles de gas en serie.

Seguridad general

ADVERTENCIA

Para reducir el riesgo de incendio, descarga eléctrica, lesiones personales y/o muerte, respete las siguientes precauciones.

- **No toque** ninguna superficie, componente o mecanismo de la estufa durante o inmediatamente después de cocinar.
- **Aprenda** dónde está y como cerrar la válvula que alimenta el gas a la estufa.
- **Asegúrese** de que el **dispositivo anti inclinación** esté correctamente instalado en la estufa. Consulte las instrucciones de instalación para obtener más información.
- **No permita que los niños se acerquen a** la estufa. No permita que los niños se metan en la estufa ni trepen sobre ella. No permita que los niños jueguen con la estufa ni con ninguna parte de la estufa. Los niños no deben quedar sin vigilancia en el lugar donde se utiliza la estufa. Para la seguridad de los niños, recomendamos utilizar la función de control/bloqueo de la puerta.
- **Retire** todos los materiales de empaque antes de operar la estufa para evitar que se incendien. Mantenga todos los materiales de empaque fuera del alcance de los niños. Deseche adecuadamente los materiales de empaque después de desempacar la estufa.
- **No guarde** objetos que resulten de interés para los niños sobre o cerca de la estufa.
- **No accione** la estufa si estuviera dañada, funcionara mal o le faltaran piezas.
- **No utilice** la estufa como calefactor del ambiente. Utilice la estufa solamente para cocinar.
- **No utilice** limpiadores para horno ni revestimientos de horno dentro o cerca de ninguna parte del horno.
- **Utilice** únicamente agarradores aislantes secos.
- **No utilice** la estufa para calentar recipientes de comida herméticos.
- **No golpee** el vidrio del horno.



- Al desechar la estufa, **corte** el cable de alimentación y **quite** la puerta para evitar que niños y animales puedan quedar atrapados.
- **Desenchufe** la estufa antes de realizar tareas de servicio o de mantenimiento.
- **Asegúrese** de que todas las carnes de res y de ave se cocinen bien. La carne de res debe cocinarse siempre a una temperatura interna de 160 °F (71 °C). La carne de ave debe cocinarse siempre a una temperatura interna de 180 °F (82 °C).
- No intente operar los quemadores de la parrilla de ignición eléctrica durante un corte de electricidad.
- Mantenga el área del artefacto libre de materiales combustibles, gasolina y otros vapores y líquidos inflamables.
- **Enseñe** a los niños que no deben tocar ni jugar con los controles ni con ninguna parte de la estufa. Recomendamos utilizar la función de bloqueo de los controles / la puerta para reducir el riesgo de que los niños los usen incorrectamente.
- Las campanas de cortina de aire u otras campanas de estufa superiores, que funcionan dirigiendo el flujo de aire hacia la estufa, no deben utilizarse junto con una estufa de gas, a menos que la campana y la estufa hayan sido diseñadas y testeadas de acuerdo con la norma para estufas domésticas a gas, ANSI Z21.1 • CSA1.1, y que figuren en la lista de un laboratorio de análisis independiente como aptas para uso combinado.

Seguridad contra incendios

⚠ ADVERTENCIA

Para reducir el riesgo de incendio, descarga eléctrica, lesiones personales o muerte, respete las siguientes precauciones:

- **No almacene/coloque/utilice** materiales combustibles (por ej.: papel, plástico, agarradores aislantes, ropa de cama, gasolina, alcohol) cerca de la estufa.
- **No lleve** prendas amplias o colgantes mientras utiliza la estufa.
- Para evitar la acumulación de grasa, **limpie regularmente** las ventilaciones.
- **No permita** que agarradores aislantes u otros materiales inflamables entren en contacto con el elemento calentador. No utilice una toalla u otra tela voluminosa como agarrador aislante.
- **No intente apagar** un incendio generado por grasa con agua. Por el contrario, apague la fuente de calor y extinga el fuego con una tapa que ajuste bien o utilice un extinguidor de incendios de polvo químico seco o de espuma para usos diversos.
- **No caliente** envases de alimentos que no hayan sido abiertos. La acumulación de presión puede hacer que los envases exploten y causen lesiones.
- No utilice el horno como lugar de almacenamiento. El papel y otros materiales inflamables guardados en el horno pueden incendiarse.
- **No coloque** materiales combustibles ni otros productos alrededor de la estufa.



Instrucciones de seguridad importantes

Seguridad del gas

ADVERTENCIA

Para reducir el riesgo de incendio, descarga eléctrica, lesiones personales o muerte, respete las siguientes precauciones:

Si hay olor a gas:

- Cierre la válvula y no use la estufa.
- **NO** encienda cerillos, velas ni cigarrillos.
- **NO** encienda ningún artefacto eléctrico o de gas.
- **No toque** ningún interruptor eléctrico ni enchufe el cable de alimentación.
- **No utilice** ningún teléfono dentro del edificio.
- **Evacúe** a todos los que se encuentren en el edificio.
- **Llame inmediatamente** al proveedor de gas desde el teléfono de un vecino. Siga las instrucciones del proveedor de gas.
- Si no puede comunicarse con el proveedor de gas, llame al departamento de bomberos.

Verificación de pérdidas de gas

La prueba de pérdidas del artefacto debe realizarse de acuerdo con las instrucciones del fabricante. No utilice una llama para verificar si hay pérdidas de gas. Utilice un cepillo para esparcir una solución de agua jabonosa alrededor del área que está verificando. Si hay una pérdida de gas, aparecerán pequeñas burbujas en la solución. Si no está seguro, solicite ayuda profesional.



Seguridad de la electricidad y la conexión a tierra

ADVERTENCIA

Para reducir el riesgo de incendio, descarga eléctrica, lesiones personales o muerte, respete las siguientes precauciones:

- Enchufe el artefacto a un tomacorriente de 4 clavijas conectado a tierra.
- **No retire** la clavija de conexión a tierra.
- **No utilice** un adaptador ni un cable prolongador.
- **No utilice** un enchufe o un cable de alimentación dañado ni un tomacorriente flojo.
- **No modifique** el enchufe, el cable de alimentación ni el tomacorriente.
- **No coloque** un fusible en el circuito neutral o de conexión a tierra.
- Utilice un disyuntor de 120 Vac , 60-Hz, 20-Amp para esta estufa. Se recomienda un fusible de retardo o un disyuntor. No conecte más de un artefacto a este circuito.
- **No conecte** el cable a tierra a cañerías de plomería de plástico, tuberías de gas o tuberías de agua caliente.
- Esta estufa **debe conectarse a tierra**. Si el producto funciona mal o se descompone, la conexión a tierra reduce el riesgo de descarga eléctrica al brindar una vía segura para la corriente. El cable de alimentación de esta estufa cuenta con un enchufe con conexión a tierra que debe conectarse firmemente en un tomacorriente correctamente instalado que disponga de conexión a tierra de acuerdo con las ordenanzas locales. Si no está seguro de si el tomacorriente está conectado correctamente a tierra, debe verificarlo un electricista matriculado.
- La estufa está equipada con un enchufe de 4 clavijas con conexión a tierra. Este cable debe enchufarse a un tomacorriente adecuado de 4 clavijas con conexión a tierra, que cumpla con todos los códigos y las ordenanzas locales. Si los códigos permiten el uso de un conductor a tierra independiente, recomendamos que un electricista calificado determine la vía adecuada para este conductor a tierra.
- El servicio eléctrico que alimentará a la estufa debe cumplir con los códigos locales. Además de los códigos locales, debe cumplir con la versión más reciente de ANSI/NFPA Nro. 70 (para EE.UU.) o con la versión más reciente del Código eléctrico de Canadá CSA C22.1.
- El dueño de la estufa debe asegurarse de que exista una provisión de electricidad adecuada para dicha estufa.



Instrucciones de seguridad importantes

Seguridad de la ubicación

ADVERTENCIA

Para reducir el riesgo de incendio, descarga eléctrica, lesiones personales y/o muerte, respete las siguientes precauciones.

- Este horno ha sido diseñado para uso doméstico en interiores solamente. **No instale** la estufa en exteriores ni en lugares expuestos a condiciones climáticas duras, agua o corrientes fuertes de aire o viento.
- **No instale** la estufa en un lugar que esté expuesto a una corriente de aire fuerte.
- Seleccione un piso nivelado y sólido que pueda soportar el peso de la estufa. Los pisos sintéticos, como el linóleo, deben soportar temperaturas de 180 °F (82 °C) sin encogerse, deformarse ni decolorarse. **No instale** la estufa directamente sobre alfombras interiores para cocinas a menos que se coloque madera contrachapada de ¼ pulgada o un aislante semejante entre la estufa y la alfombra.
- Para que la estufa pueda ventilarse correctamente, asegúrese de que las ventilaciones no estén bloqueadas ni cubiertas, y de que haya suficiente espacio libre arriba, atrás, a los lados y por debajo de la estufa. Las ventilaciones permiten la salida de aire necesaria para que la estufa funcione adecuadamente con la combustión correcta y se obtengan buenos resultados de cocción.
- **Asegúrese** de que los revestimientos de las paredes que rodean a la estufa puedan soportar un calor de hasta 200 °F (93 °C), generado por la estufa.
- Se debe evitar colocar gabinetes de almacenamiento arriba de la superficie de la estufa. Si resulta necesario colocar gabinetes de almacenamiento arriba de la estufa, deje una separación mínima de 30 pulgadas (76.2 cm) entre la superficie de cocción y la parte inferior de los gabinetes, o instale una campana para estufas que sobresalga horizontalmente como mínimo 5 pulgadas (12.7 cm) con respecto al extremo inferior de los gabinetes.
- **Coloque** la estufa alejada de los lugares de la cocina con tráfico y corrientes de aire para evitar una circulación de aire insuficiente.
- Si se coloca la estufa cerca de una ventana, **JAMÁS** cuelgue cortinas largas ni persianas de papel en esa ventana. Podrían volar sobre los quemadores superiores y prenderse fuego, causando así un peligro de incendio.



Seguridad de la placa de cocción

ADVERTENCIA

Para reducir el riesgo de incendio, descarga eléctrica, lesiones personales o muerte, respete las siguientes precauciones:

- **Asegúrese** de que todos los quemadores estén apagados cuando no estén en uso.
- **No utilice** papel de aluminio para cubrir las rejillas ni ninguna parte de la placa de cocción. Esto puede causar un envenenamiento por monóxido de carbono. Las envolturas de papel de aluminio también pueden atrapar el calor, provocando un riesgo de incendio. **No deje** los quemadores sin vigilancia en configuraciones de calor medio o alto.
- Antes de encender los quemadores, asegúrese de que todas las tapas estén correctamente instaladas en su lugar y que todos los quemadores estén nivelados.
- **Siempre use** la posición LITE (Encender) al encender los quemadores y asegúrese de que todos enciendan. Si falla el encendido, gire la perilla a OFF y espere hasta que se disipe el gas antes de intentar encenderla nuevamente.
- Cuando coloque un quemador a fuego lento, **no gire** la perilla rápidamente. Asegúrese de que la llama permanezca encendida.
- Para calentar alimentos, debe tener una campana de ventilación. Cuando caliente comida, la campana debe estar encendida.
- Antes de retirar o cambiar utensilios de cocina, apague los quemadores.
- Retire los alimentos y los utensilios de inmediato después de la cocción.
- Antes de retirar alguna pieza del quemador para realizar la limpieza, asegúrese de que la estufa esté apagada y completamente fría.
- Después de limpiar el distribuidor del quemador, asegúrese de que esté completamente seco antes de volver a ensamblarlo.
- **Asegúrese** de que la marca de encendido en el distribuidor del quemador doble esté colocada junto al electrodo al ensamblarlo.
- Para evitar el envenenamiento por monóxido de carbono, no vierta agua sobre el hueco de la cubierta durante la limpieza.
- Seleccione recipientes de cocina diseñados para la cocción encima de la cubierta. Utilice recipientes recomendados que no superen el tamaño de las rejillas de la cubierta.
- Para evitar que los recipientes se decoloren, se deformen o que se produzca un envenenamiento por monóxido de carbono, no utilice recipientes que superen considerablemente el tamaño de la rejilla.
- Asegúrese de que las manijas de los recipientes queden orientadas hacia un lado o hacia la parte posterior de la cubierta, pero nunca sobre los demás quemadores superiores ubicados en el borde frontal de la cubierta.
- No se pare directamente sobre un recipiente mientras fríe alimentos.
- Caliente siempre los aceites para freír en forma lenta y vigíelos a medida que se calientan. Si se frien alimentos a alta temperatura, vigile cuidadosamente el proceso de cocción. Si va a combinar grasas y aceites durante la fritura, debe mezclarlos antes de calentarlos.



Instrucciones de seguridad importantes

- Utilice un termómetro para freidoras cuando sea posible, a fin de evitar calentar el aceite más allá de su punto de humeo.
- Utilice una cantidad mínima de aceite durante las frituras de inmersión. No fría alimentos congelados, con hielo, fríos o húmedos.
- Antes de transportar recipientes llenos de grasa o aceite, asegúrese de que se hayan enfriado por completo.
- Para evitar el retraso en el punto de ebullición, siempre deje reposar los líquidos calentados durante al menos 20 segundos después de apagar el quemador, para que la temperatura del líquido pueda estabilizarse. En caso de escaldaduras, siga estas instrucciones de primeros auxilios:
 - Sumerja el área escaldada en agua fría durante al menos 10 minutos.
 - No se aplique cremas, aceites ni lociones.
 - Cubra el área con un vendaje limpio y seco.
- Coloque los recipientes en el centro de la rejilla. No coloque un recipiente con un diámetro superior a 9" en los quemadores traseros. Si coloca un recipiente de mayor tamaño en la posición incorrecta, podría interrumpir la circulación de aire necesaria y hacer que la llama del quemador chisporrotee y quemé de manera ineficiente.
- **No lleve** prendas amplias o colgantes mientras utiliza la estufa. Pueden incendiarse y producirle quemaduras si tocan el quemador superior.
- **No deje** elementos plásticos sobre la cubierta. El aire caliente del ventilador puede derretir o encender los elementos de plástico o causar una acumulación de presión peligrosa en recipientes de plástico cerrados. Puede sufrir quemaduras graves si toca las superficies cercanas al ventilador mientras el horno está en funcionamiento.
- **No coloque** artefactos portátiles ni ningún otro objeto sobre la placa de cocción, excepto cuando se trate de recipientes y utensilios de cocina. Es posible que se produzcan daños o incendios si la superficie está caliente.
- **Asegúrese siempre** de que los controles estén en OFF y de que las rejillas estén frías antes de retirarlas para evitar cualquier posibilidad de sufrir quemaduras.
- **No coloque** materiales combustibles ni otros productos alrededor de la estufa.
- No toque los quemadores cuando estén encendidos. Apague los quemadores cuando cambie una sartén o una olla.



Seguridad del horno

ADVERTENCIA

Para reducir el riesgo de incendio, descarga eléctrica, lesiones personales y/o muerte, respete las siguientes precauciones.

- **No utilice** el horno para otros fines que no sean la cocción, por ejemplo, para secar ropa o como lugar de almacenamiento. Utilice el horno solamente para cocinar.
- **Asegúrese** de que las rejilla del horno estén colocadas al mismo nivel en cada lado.
- **No dañe, retire ni limpie** la junta selladora de la puerta.
- **No rocíe** agua en el vidrio del horno mientras el horno esté encendido o apenas después de haberlo apagado.
- Manténgase alejado al abrir la puerta del horno.
- Mantenga el horno libre acumulaciones de grasa.
- Al volver a colocar las rejilla del horno, **asegúrese** de que el horno esté completamente frío.
- **No** deje elementos plásticos dentro del horno.
- Para evitar dañar las perillas de control de los quemadores o del horno, siempre hornee y/o ase a la parrilla los alimentos con la puerta del horno cerrada.
- **No** ase carne demasiado cerca del elemento de asar. Retire el exceso de grasa antes de asar.
- Al utilizar bolsas para cocinar o asar en el horno, siga las instrucciones del fabricante.
- **NUNCA cubra** ranuras, orificios o pasajes en la parte inferior del horno, ni cubra una rejilla completa con materiales como papel de aluminio. Esto evita que el aire circule a través del horno y puede causar envenenamiento por monóxido de carbono. Las envolturas de papel de aluminio también pueden atrapar el calor, provocando un riesgo de incendio.



Instrucciones de seguridad importantes

Seguridad durante la autolimpieza del horno

ADVERTENCIA

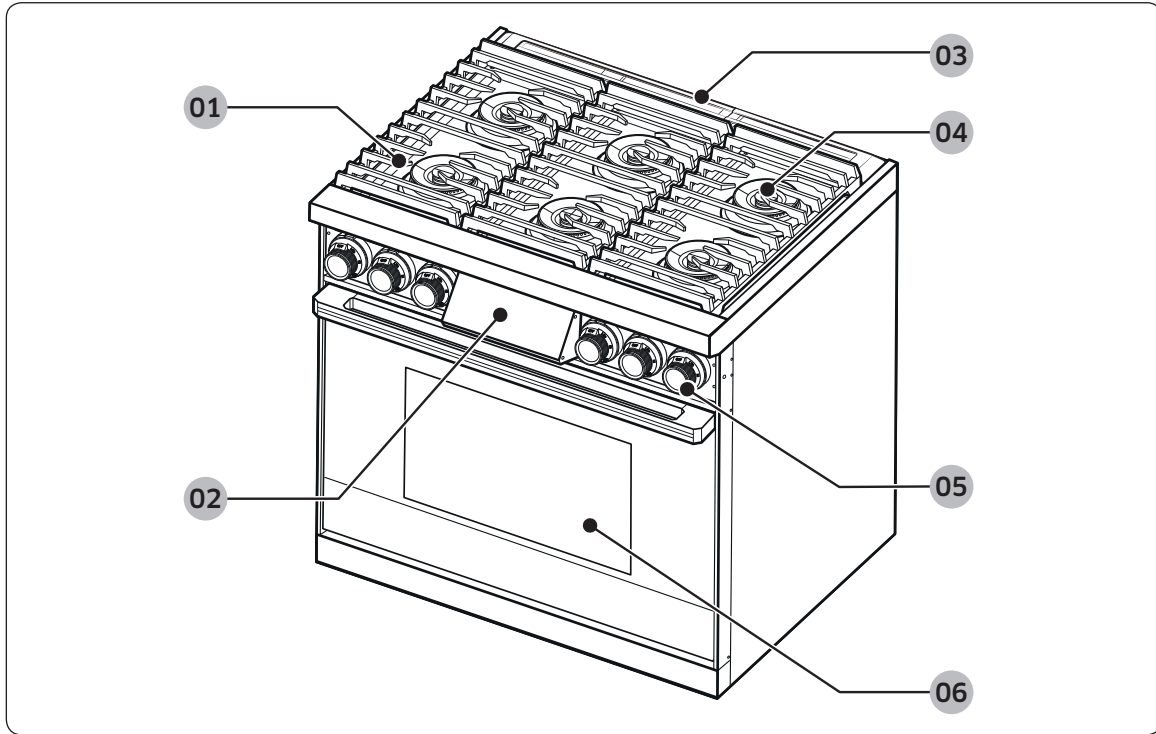
Para reducir el riesgo de incendio, descarga eléctrica, lesiones personales y/o muerte, respete las siguientes precauciones.

- La función de autolimpieza opera el horno a temperaturas lo suficientemente altas como para eliminar por incineración los restos de alimentos en el horno. La estufa está extremadamente caliente durante el ciclo de autolimpieza. **No toque** ninguna superficie de la estufa durante el ciclo de autolimpieza.
- Mantenga alejados a los niños durante el ciclo de autolimpieza.
- Antes de iniciar un ciclo de autolimpieza, elimine los elementos sueltos del horno y limpie todas las superficies.
- Después de un ciclo de autolimpieza, manténgase alejado al abrir la puerta del horno.
- Si el ciclo de autolimpieza funciona mal, apague el horno, cierre el interruptor del suministro eléctrico y comuníquese con un técnico de servicio calificado.
- Algunas aves son muy sensibles a las emanaciones que se producen durante el ciclo de autolimpieza de cualquier horno. Lleve las aves a otra habitación bien ventilada.



Descripción general

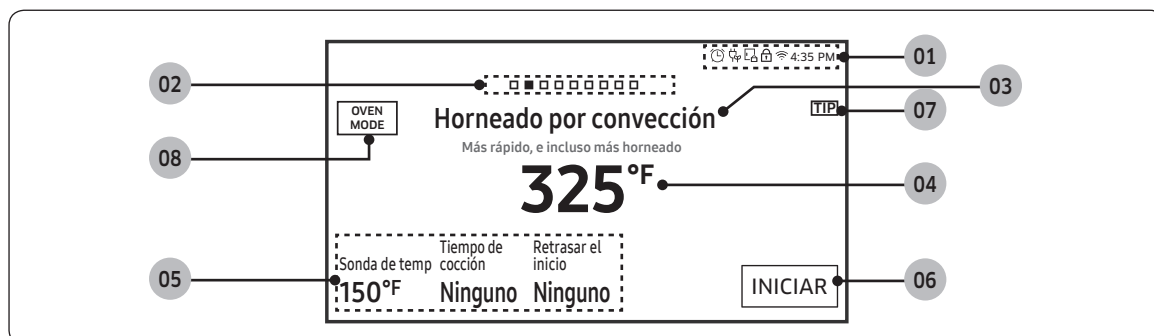
Esquema



01 Rejilla	02 Panel de control
03 Tapa de ventilación del horno	04 Quemadores superiores
05 Perillas para los quemadores superiores (6 uds.)	06 Puerta del horno desmontable

Descripción general

Pantalla



01 Área de indicadores

- **Temporizador** (⌚): Cuando se programa el temporizador, aparece el indicador de tiempo en la pantalla. Cuando se programan más de 2 temporizadores, se muestra el número de temporizadores programados (1, 2, 3, etc.).
- **Bloqueo de la puerta** (🔒): Se enciende cuando se bloquea la puerta del horno.
- **Wi-Fi** (📶): Muestra la intensidad de la señal de Wi-Fi en un rango de 5 líneas. Cuando la conexión Wi-Fi está desconectada, se muestra ✖.
- **Ahorro de energía de 12 horas** (🔋): Se muestra cuando el ahorro de energía de 12 horas está activado.
- **Hora actual**: Se muestra la hora actual.

02 Indicador de página: Muestra la ubicación del modo actual.

03 Modo: El menú actual o seleccionado se muestra con una descripción del modo.

04 Temperatura: Se muestra la temperatura actual o seleccionada. Cuando toca esta área, se muestra la pantalla de ajuste de la temperatura.

05 Área de información

- **Sonda de temperatura**: Se muestra la temperatura programada en la sonda de temperatura. Cuando toca esta área, se muestra la pantalla Sonda de temperatura.
- **Tiempo de cocción**: Se visualiza el tiempo de cocción. Cuando toca esta área, se muestra la pantalla de tiempo de cocción.
- **Retrasar el inicio**: Se muestra el tiempo de retrasar el inicio. Cuando toca esta área, se muestra la pantalla de Retrasar el inicio.

06 INICIAR: Toque para iniciar el horno con los ajustes que se muestran en la pantalla.

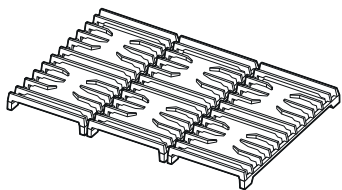
07 TIP (SUGERENCIA): Toque para mostrar las recomendaciones para cada modo.

08 OVEN MODE (MODO DE HORNO): Toque para mostrar el menú de selección de modo.

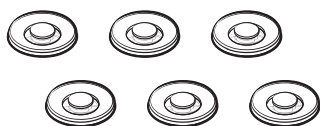
📖 NOTA

La pantalla que se muestra en el manual puede diferir de la pantalla real.

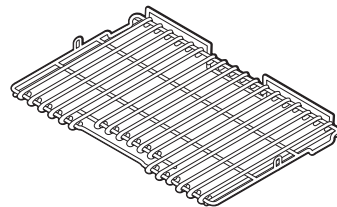
Elementos incluidos



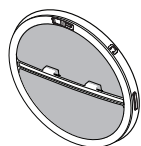
Rejillas (3)



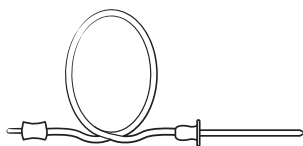
Cabezales (6) y
tapas (6) de los quemadores



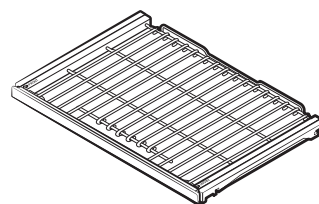
Parrilla plana (1)



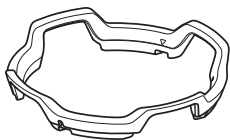
Filtro de convección (2)



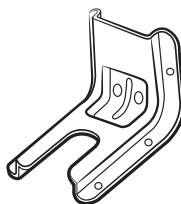
Sonda de temperatura (1)



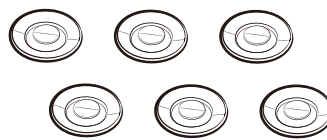
Rejillas deslizantes (2)



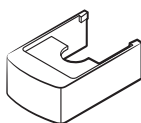
Aro para wok (1)



Ménsula anti inclinación (1)



Tapa del quemador de latón (6)



Cubiertas de las patas
delanteras (2)

La estufa está equipada con dos tipos de tapas de quemadores (latón y porcelana) para adaptarse a las preferencias del usuario. El latón se decolora con el uso; la decoloración no afecta la función.

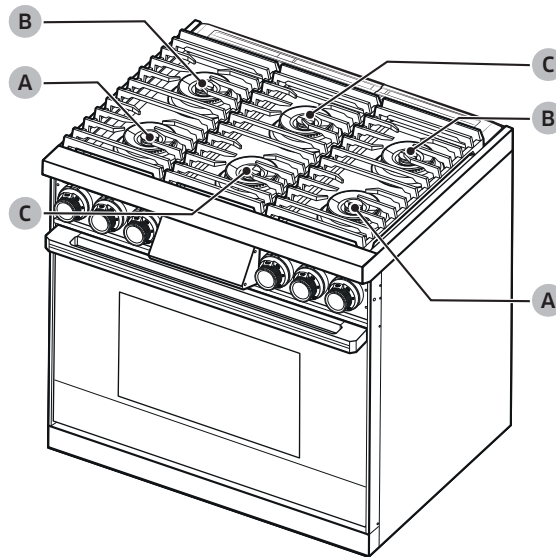
NOTA

- Debe insertar los filtros de convección antes de utilizar el horno.
- La garantía no cubre la alteración de las tapas de los quemadores.

Uso de la placa de cocción

Quemadores

Su estufa cuenta con tres tipos de quemadores. Consulte el diagrama inferior para la salida del calor y la ubicación. Cada quemador genera una chispa cuando se gira la perilla hasta la posición de encendido "símbolo de llama". (No utilice la placa de cocción si el encendido no está activado.) Cuando el quemador se enciende, la emisión de chispas se detiene automáticamente. La juntas debajo de los quemadores evitan que los líquidos derramados se filtren en las partes internas de la estufa.



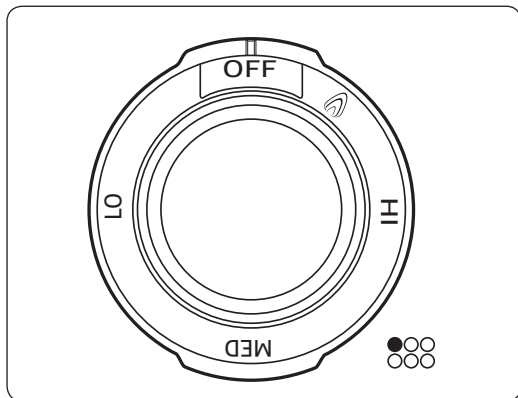
A	Quemador doble 22K BTU
B	Quemador doble 18K BTU
C	Quemador de anillo doble 18K BTU

Cada quemador está diseñado para un propósito específico, como se muestra en la siguiente tabla.

Quemador	Posición	Propósito	Tipo de alimento
Quemador doble 22K BTU	Delantero izquierdo (DI)	Calentamiento potente/ Cocción a fuego lento baja	Hervir alimentos, salsa de tomate
	Delantero derecho (DD)		
Quemador doble 18K BTU	Trasero izquierdo (TI)	Calentamiento rápido/ Cocción a fuego lento baja	Alimentos delicados que requieren fuego lento durante un tiempo prolongado
	Trasero derecho (TD)		
Quemador de anillo doble 18K BTU	Delantero Central (DC)	Calentamiento rápido	Alimentos en general, guisos
	Trasero Central (TC)		

Uso de la placa de cocción

Encendido



NOTA

Cada perilla de control tiene un quemador correspondiente. La ubicación del quemador correspondiente está marcada junto a la perilla.

Para encender un quemador:

1. Empuje la perilla y gírela hacia la izquierda hasta la posición Lite (Encender). El iniciador del quemador genera chispas repetidamente hasta que se enciende. La chispa emite un "clic". El quemador se enciende antes de cuatro segundos. La llama debe quemar en forma pareja alrededor del quemador, excepto debajo del soporte de cada rejilla, donde la altura de la llama se reduce con la función Smart Flame de Dacor. Una llama normal es uniforme y azul. Si hay materiales extraños en el conducto de gas, en especial si es de nueva construcción, inicialmente la llama puede tener un color anaranjado en forma temporaria. Las puntas amarillas de las llamas son normales cuando se utiliza gas LP. Si un quemador no se enciende, el iniciador continúa generando chispas o la llama no se extiende en forma pareja alrededor de la tapa del quemador, consulte la sección **Resolución de problemas** en la página 93.
2. Coloque el utensilio de cocina sobre la rejilla.
3. Ajuste la llama a la tarea de cocción.

NOTA

Apague el quemador si no hay chispa y verifique que la estufa esté recibiendo electricidad. Nunca encienda un quemador en forma manual durante una falla energética.

Consejos

- Los alimentos se cuecen con la misma rapidez en una ebullición suave que en una ebullición fuerte. Hierva los alimentos cuidadosamente a fin de ahorrar energía, conservar el sabor y los nutrientes.
- Use una llama baja o media cuando cocine con utensilios de materiales malos conductores del calor (vidrio, cerámica o hierro fundido). Ajuste la llama para cubrir 1/3 del diámetro del recipiente a fin de garantizar un calor parejo y reducir el riesgo de quemar/chamuscar los alimentos.

Nivel de la llama

Las llamas de los quemadores siempre deben permanecer debajo de los recipientes de cocción.

Antes de utilizar las perillas de los quemadores...

Para evitar el cambio del tamaño de la llama, cada una de las perillas de los quemadores solo se puede operar con el método de presionar y girar.

También, el usuario encontrará puntos de parada cuando gire la perilla. En cada uno de los puntos, empuje y gire la perilla para continuar. La perilla solo se puede girar si el usuario desea cambiar el tamaño de la llama.

Uso de la placa de cocción

Utensilio de cocina

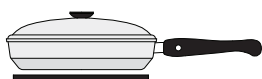
⚠ ADVERTENCIA

- Los recipientes de cocción con fondos rugosos pueden causar daños permanentes a las superficies recubiertas.
- Para evitar quemaduras, oriente siempre las manijas de los recipientes hacia una posición donde no se puedan tocar accidentalmente. Las manijas no deben extenderse por encima de los quemadores adyacentes o el frente de la cubierta. Coloque siempre los recipientes con cuidado sobre las rejillas y céntrelos para que estén bien equilibrados.
- No arrastre los recipientes sobre las rejillas. Pueden dañar el acabado. Levante los recipientes para colocarlos en su lugar.
- A fin de evitar quemaduras y riesgo de incendio, asegúrese de que la llama esté por debajo del utensilio.
- Cuando utilice recipientes de vidrio, asegúrese de que estén diseñados para cocinar en una placa de cocción.
- Asegúrese de sujetar la manija de un wok o una olla pequeña de una sola asa mientras cocina.

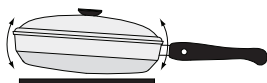
Para la seguridad general y el mejor desempeño, seleccione el recipiente adecuado para el alimento que va a cocinar. Los recipientes que se seleccionan inadecuadamente no cocinan en una manera uniforme ni eficiente.

Use utensilios de cocina:

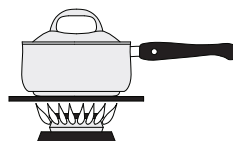
- Que tengan bases planas y lisas
- Con tapas bien ajustadas que no dejen salir el calor, los olores y el vapor
- Bien equilibrados con manijas que pesen menos que el cuerpo principal de la olla o sartén.



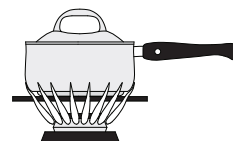
Recomendado



No recomendado



Recomendado

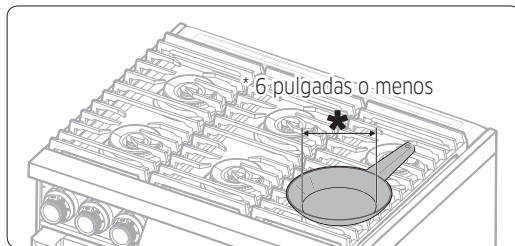


No recomendado

Características de los materiales

- **Aluminio:** Excelente conductor de calor. Algunos tipos de alimentos pueden causar el oscurecimiento del aluminio. Sin embargo, los recipientes de aluminio anodizado son resistentes a las manchas y a las picaduras.
- **Cobre:** Excelente conductor de calor pero su color se altera con facilidad.
- **Acero inoxidable:** Conductor de calor lento con resultados de cocción irregulares, pero es duradero, fácil de limpiar y resistente a las manchas.
- **Hierro fundido:** Mal conductor pero retiene muy bien el calor.
- **Utensilios esmaltados:** Las características de conducción de calor dependen del material de base.
- **Vidrio:** Conductor de calor lento. Utilice solo recipientes de vidrio con la especificación de que son aptos para usar sobre cubiertas de cocción o en el horno.

Limitaciones de tamaño



! ADVERTENCIA

No coloque una olla o sartén pequeña con un diámetro de fondo de alrededor de 6 pulgadas o menos sobre el quemador grande, ya que podría volcarse y causar lesiones. Utilice los quemadores traseros para estos utensilios de tamaño pequeño.

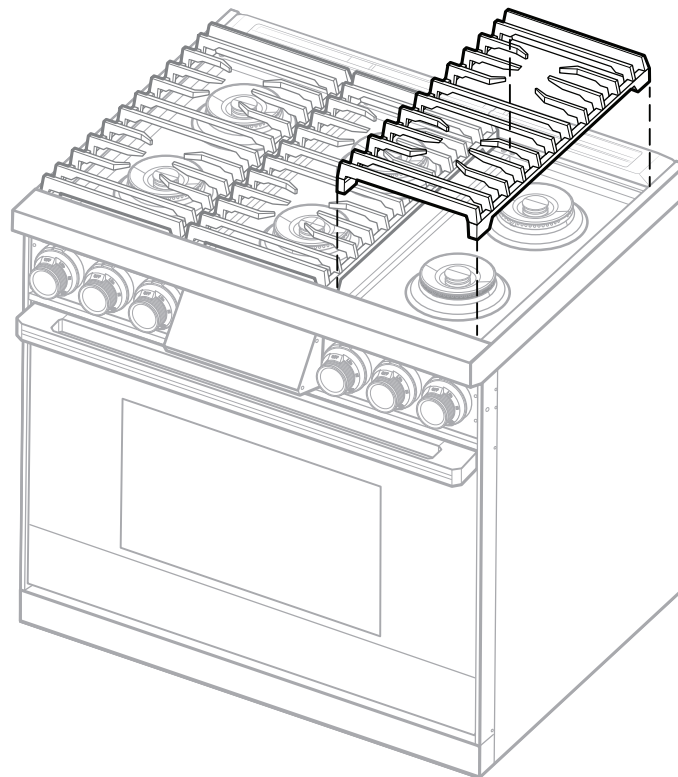
Uso de la placa de cocción

Rejillas

Coloque cuidadosamente las rejillas sobre la bandeja anti derrame. Coloque las patas de cada rejilla sobre las hendiduras correspondientes.

NOTA

Las rejillas son pesadas. Tenga cuidado cuando las manipule.

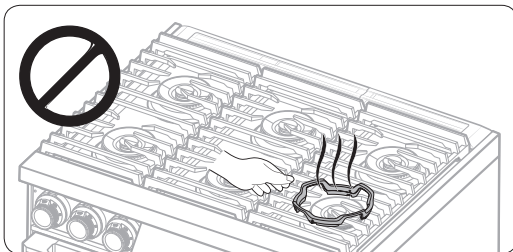
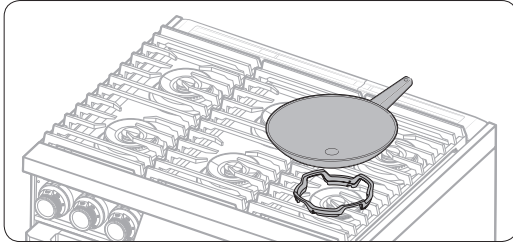


NOTA

Antes de instalar las rejillas, consulte las palabras que hay debajo. Las palabras le indican cuál es el lado delantero y si la posición correcta de la rejilla es a la derecha, en el centro o a la izquierda.

Aro para wok

Los woks se utilizan con frecuencia para salteados, fritura en sartén, fritura de inmersión y escalfado. El aro para wok provisto admite woks de 12" a 14".



1. Apague todos los quemadores y espere hasta que las rejillas se enfríen completamente.
2. Coloque el aro para wok sobre la rejilla encima del quemador doble de 22K BTU.
3. Coloque un wok sobre el aro para wok. Asegúrese de que el wok se apoye sobre el aro.
4. Encienda el quemador y ajuste el nivel de llama adecuado.

PRECAUCIÓN

- No quite el aro para wok hasta que las rejillas de la cubierta, las superficies y el aro para wok mismo se enfríen.
- No utilice utensilios con un fondo plano o con un diámetro inferior al diámetro del aro para wok. El utensilio puede volcarse.
- No utilice un wok de gran tamaño. Las llamas del quemador podrían esparcirse y causar daños en las inmediaciones.
- No utilice la rejilla para wok y el comal al mismo tiempo.

Uso del horno

Ajustes básicos - reloj, fecha y hora, idioma

Tema del reloj

Para cambiar el tema del reloj.

1. Toque **SETTINGS (CONFIGURACIÓN)** y luego toque **Pantalla**.
2. Toque **Tema del reloj** y seleccione el tema que desea usar.
Puede ver el tema del reloj provisto deslizando la pantalla.

Fecha y hora

Para activar la fecha y hora automáticas

1. Active la conexión Wi-Fi.
2. Toque **SETTINGS (CONFIGURACIÓN)** > **Fecha y hora** y luego toque **Fecha y hora** > **Fecha y hora automática** y toque **ON** en la pantalla derecha. La fecha y hora se programarán automáticamente.

Para programar fecha y hora de modo manual

1. Toque **SETTINGS (CONFIGURACIÓN)** > **Fecha y hora** y luego toque **Fecha y hora** > **Fecha y hora automática** y toque **OFF** en la pantalla derecha. Se desactivarán la zona horaria, la hora y la fecha predeterminadas.
2. Elija zona horaria, fecha y hora.

Para cambiar el formato de hora

1. Toque **SETTINGS (CONFIGURACIÓN)** > **Fecha y hora** > **Seleccionar formato de hora** y luego toque la pantalla derecha.
2. Puede elegir un reloj de 12 o de 24 horas.

Idioma

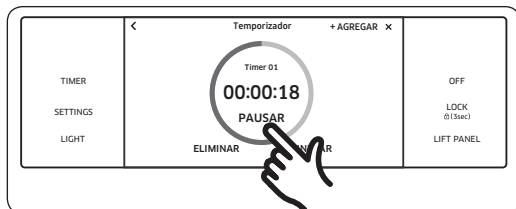
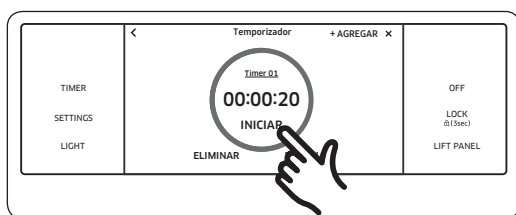
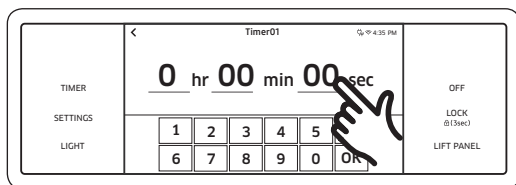
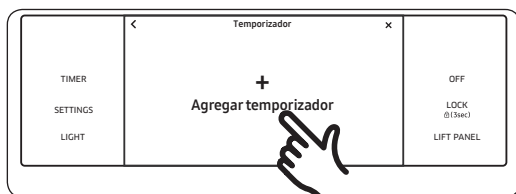
Elija un idioma de pantalla.

1. Toque **SETTINGS (CONFIGURACIÓN)** > **Idioma** y luego toque la pantalla derecha.
2. Puede seleccionar inglés, español o francés.

Temporizador de cocina

El temporizador de cocina funciona como un temporizador adicional que emitirá un sonido agudo cuando el tiempo fijado haya transcurrido. No inicia ni detiene las funciones de cocción. Puede usar el temporizador de cocina con cualquiera de las funciones del horno.

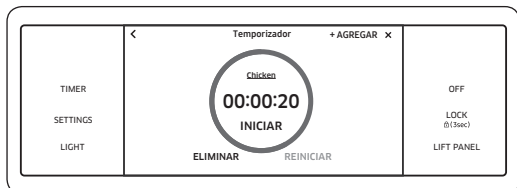
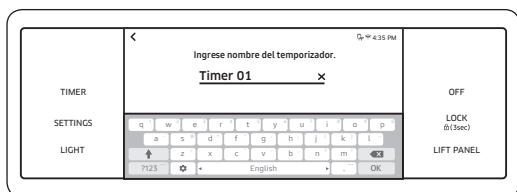
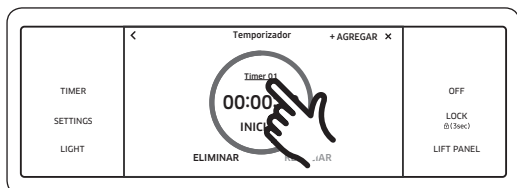
Cómo programar el temporizador



1. Toque **TIMER (TEMPORIZADOR)**. La pantalla cambia a la pantalla del temporizador.
2. Toque **+ Agregar temporizador**.
3. Toque los números del teclado numérico para configurar el tiempo. (Puede configurar el temporizador para cualquier duración desde 1 segundo hasta 23 h 59 min 59 s).
4. Toque **INICIAR**. Cuando haya transcurrido el tiempo fijado, el horno emitirá un sonido agudo y la pantalla mostrará que el Temporizador terminó.
 - Puede pausar, reiniciar o eliminar el temporizador en cualquier momento con solo tocar la pantalla.

Uso del horno

Cómo cambiar el nombre del temporizador



Puede cambiar el nombre del temporizador para identificar la acción que está temporizando, por ejemplo, descongelando un pollo.

1. Toque el área del nombre del temporizador.
 - Se visualizará un teclado.
2. Toque el teclado para configurar el nuevo nombre del temporizador.
 - La pantalla mostrará el nombre de temporizador modificado.

Cocción por temporizador

En el modo de cocción con temporizador, el horno se enciende inmediatamente y cocina durante el tiempo que usted fije.

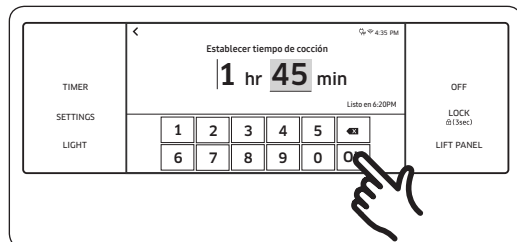
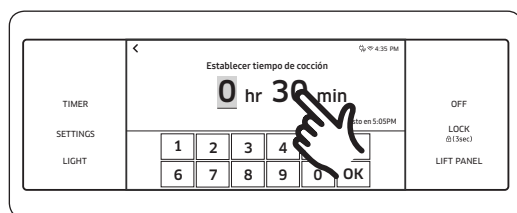
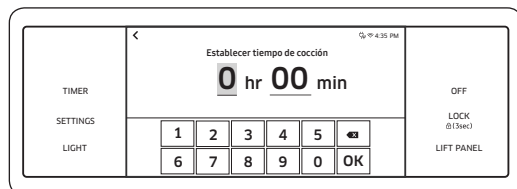
Una vez completado ese tiempo de cocción, el horno se apaga automáticamente.

- La función de cocción por temporizador se puede utilizar únicamente en combinación con otra operación de cocción. (Hornear, Horneado por convección, Asar por convección, Convección profesional, Levantamiento, Modo de horneado a la piedra, Deshidratar).

NOTA

Los modos disponibles para cada horno se encuentra en la página 40.

Cómo programar el horno para cocción por temporizador



1. Seleccione el modo de cocción que desee.
2. Toque **Tiempo de cocción**. La pantalla cambiará a la pantalla del tiempo de cocción.

3. Toque los números del teclado numérico con los dedos para ajustar el tiempo de cocción. (El tiempo de cocción se puede fijar para cualquier duración desde 1 minuto hasta 9 horas y 59 minutos).

Uso del horno



4. El tiempo de cocción se visualizará en el área de tiempo de cocción de la pantalla.

NOTA

Puede cancelar el tiempo de cocción en cualquier momento ajustándolo en 0 minutos.

PRECAUCIÓN

Tenga precaución al utilizar las funciones de cocción por temporizador o Retrasar el inicio. Puede utilizar estas funciones para cocinar carnes curadas o congeladas y la mayor parte de las frutas y vegetales.

Los alimentos que pueden echarse a perder con facilidad (leche, huevos, pescado descongelado o fresco, carnes o aves) deben enfriarse previamente en el refrigerador.

Aun enfriados, no deben permanecer en el horno durante más de 1 hora antes de que se inicie la cocción y una vez completada la cocción deben retirarse a la brevedad.

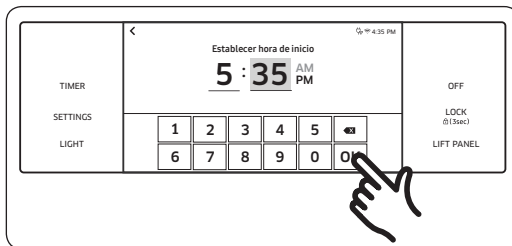
La ingestión de alimentos en mal estado puede producir intoxicación alimentaria.

Retrasar el inicio

En el modo de cocción con Retrasar el inicio, el temporizador del horno enciende el horno a una hora seleccionada con antelación. También puede elegir que el horno se apague automáticamente al finalizar un tiempo programado con la función Tiempo de cocción.

- La función de Retrasar el inicio puede utilizarse únicamente en combinación con otra operación de cocción (Hornear, Horneado por convección, Asar por convección, Convección profesional, Levantamiento, Modo de horneado a la piedra, Deshidratar, Autolimpieza).
- Se puede programar el horno para un retrasar el inicio antes de seleccionar las otras operaciones de cocción.
- Se debe ajustar el reloj en la hora actual.

Cómo programar el horno para cocción con retrasar el inicio.



1. Coloque la(s) rejilla(s) y los alimentos en el horno.
2. Seleccione el modo de cocción que desee.
3. Programe el tiempo de cocción para que el horno se apague automáticamente luego de un tiempo determinado. (Consulte la sección **Cocción por temporizador** en la página 37).
4. Toque **Retrasar el inicio**. La hora actual se visualizará en la primera entrada.
5. Toque los números en el teclado numérico para fijar la hora a la que desea que se inicie el horno.
6. La pantalla de Retrasar el inicio se cierra. La hora de inicio y, si lo selecciona, el tiempo de cocción, se visualizarán en la pantalla.

Uso del horno

Funciones del horno

Horno	Funciones del horno
Horno básico	Hornear, Horneado por convección, Rostizar por convección, Asar a la parrilla, Parrilla por convección, Convección profesional, Función especial.

Modo de cocción

Seleccione el modo de cocción que desee. Elija la temperatura deseada.

Consulte **Ajuste de la temperatura** en la página 43 y **Instrucciones básicas de horneado y asado a la parrilla** a partir de la página 44.

Modo	Rango de temperatura	Sonda de temperatura
Hornear	175 °F (80 °C) - 550 °F (285 °C)	✓
Horneado por convección	175 °F (80 °C) - 550 °F (285 °C)	✓
Asar por convección	175 °F (80 °C) - 550 °F (285 °C)	✓
Asar a la parrilla	LO (BAJO), MED (MEDIO), HI (ALTO)	✗
Parrilla por convección	LO (BAJO), MED (MEDIO), HI (ALTO)	✗
Convección profesional	175 °F (80 °C) - 550 °F (285 °C)	✓

✓ = Disponible / ✗ = No disponible

Modo	Instrucciones
Hornear	<ul style="list-style-type: none">El modo Hornear se usa para hornear pasteles, galletas y guisos. Siempre precaliente el horno.La temperatura y el tiempo de horneado varían según los ingredientes y el tamaño y la forma de la bandeja de hornear utilizada.Los recubrimientos oscuros y antiadherentes cocinan los alimentos más rápidos y los doran más.

Modo	Instrucciones
Horneado por convección	<ul style="list-style-type: none"> • En el Horneado por convección se activa un ventilador para hacer circular el calor del horno en forma pareja y continua. • Esta mejor distribución del calor posibilita la cocción pareja y excelentes resultados cuando se utilizan múltiples rejillas. • Ofrece los mejores resultados con las galletas, brownies, pastelitos individuales, muffins, bollos dulces, pastel de ángel y pan. • Cuando hornee por convección con una sola rejilla, colóquela en la posición 3. • Cuando hornee por convección con dos rejillas, colóquelas en las posiciones 2 y 4 para tortas y galletitas. • Cuando hornee por convección con tres rejillas, colóquelas en las posiciones 1, 3 y 5 para galletitas. Para obtener los mejores resultados, utilice bandejas comerciales de mitad de tamaño o una bandeja de 16" para galletas. • La temperatura del horno debe reducirse manualmente 25 °F cuando se utiliza el modo Horneado por convección. • En el horno cabe una placa para horneado comercial grande (18" x 26"). Al utilizar utensilios para horneado de tamaño comercial, utilice solo uno.
Asar por convección	<ul style="list-style-type: none"> • Asar por convección es conveniente para cortes de carne tiernos y de gran tamaño, sin cubrir. El ventilador de convección hace circular el aire caliente en forma pareja sobre y por alrededor de la comida. • Las carnes, incluidas las aves, se doran por todos lados como si hubiesen sido cocidas en un asador giratorio. • El aire caliente rápidamente sella los alimentos dejando dentro los jugos y el producto resulta húmedo y tierno, mientras que el exterior adquiere un atractivo color pardo dorado.
Asar a la parrilla	<ul style="list-style-type: none"> • Asar a la parrilla cocinar cortes tiernos de carne mediante el calor directo bajo el elemento de asado a la parrilla del horno. • El calor elevado cocina rápidamente y genera una superficie dorada. El modo asar a la parrilla es el mejor para cortes de carne, pescados y aves de hasta 1" de grosor. • Antes de asar a la parrilla, precaliente siempre el horno por 5 minutos. • Consulte la sección Guía de recomendaciones para asar a la parrilla a partir de la página 51.

Uso del horno

Modo	Instrucciones
Parrilla por convección	<ul style="list-style-type: none">• El asado a la Parrilla por convección es similar a asar a la parrilla, pero con el beneficio adicional de la circulación de aire gracias al ventilador mecanizado en la parte posterior del horno.• Durante el modo de asado a la parrilla por convección, el elemento de asar se apagará y encenderá para mantener la temperatura del horno, mientras que el ventilador hace circular el aire caliente para una cocción pareja.• Use este modo para cortes más anchos de carne, pescado y aves. El asado a la parrilla por convección dora lentamente el exterior y sella los jugos.• Para un dorado óptimo, precaliente durante 5 minutos el elemento de asado a la parrilla.
Convección profesional	<ul style="list-style-type: none">• La Convección profesional utiliza dos ventiladores para una mayor circulación del aire y una cocción más rápida.• Ideal para los alimentos que se cocinan en una sola rejilla.• Brinda los mejores resultados para galletitas, biscochos, cupcakes etc.• Para hornear con una sola rejilla, utilice la posición 3 o 4.• Para hornear con dos rejillas, utilice las posiciones 2 y 4.

Configuración del modo

Deslice el dedo por la pantalla

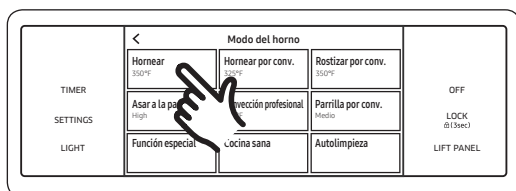


- Deslice la pantalla hacia la izquierda o derecha para seleccionar el modo de cocción.

Modo resumido



- Toque el área de modo para visualizar el modo resumido.

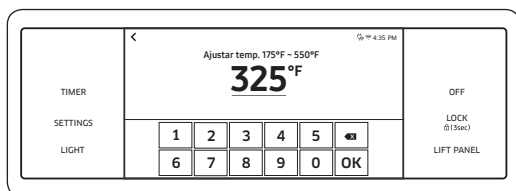


- Toque el modo que desee.

Ajuste de la temperatura



- Toque el área de temperatura para visualizar el teclado numérico.
- Toque los números del teclado numérico para configurar la temperatura.
- Toque OK.



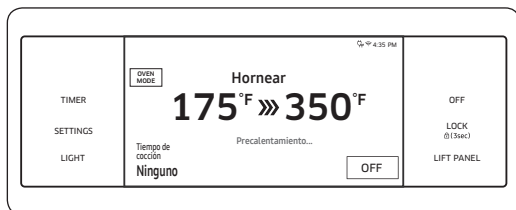
Uso del horno

Instrucciones básicas de horneado y asado a la parrilla



1. Seleccione el modo de cocción que desee.
 2. Elija la temperatura deseada. (Consulte la sección **Ajuste de la temperatura** en la página 43).
- El modo Asar a la parrilla puede usarse solo en Hi (Alto), Med (Medio) o Lo (Bajo).
 - La temperatura para Mantener caliente no puede modificarse.

Cómo ajustar la temperatura durante el proceso de cocción



Toque el área de temperatura, ingrese la nueva temperatura con el teclado numérico.

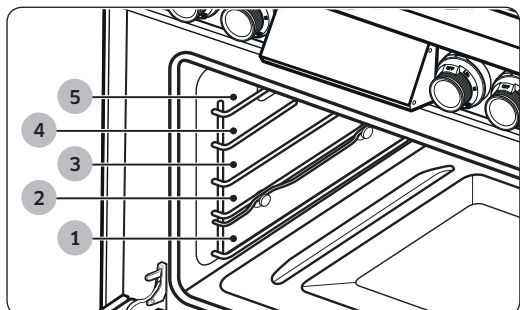
- ★ Coloque los alimentos en el horno después de precalentarlo, si así lo requiere la receta. El precalentamiento es muy importante para lograr buenos resultados cuando se hornean tortas, pasteles, galletas, masas y panes. Cuando el horno haya alcanzado la temperatura deseada, el horno emitirá una señal sonora 6 veces.
- Cuando se abre la puerta del horno, el ventilador del horno de convección se apaga.
- NO DEJE la puerta del horno abierta durante mucho tiempo mientras funciona en modo de convección porque ello podría reducir la vida útil del elemento calentador de convección.

NOTA

- Si deja la puerta del horno abierta durante más de 2 minutos cuando el horno está encendido, todos los elementos calentadores se apagarán automáticamente.
- Cuando haya finalizado la cocción, el ventilador de enfriamiento continuará funcionando hasta que el horno se haya enfriado.
- Si está utilizando un termómetro de horno en la cavidad del horno, la temperatura registrada puede ser diferente de la temperatura que se ha establecido.
- Por razones de rendimiento, el ventilador de convección puede encenderse o apagarse durante la cocción.
- Este horno está diseñado para asar con la PUERTA CERRADA. La puerta del horno debe permanecer cerrada durante el asado a la parrilla.

Uso del horno

Uso de las rejillas del horno



Posición recomendada de las rejillas para cocción

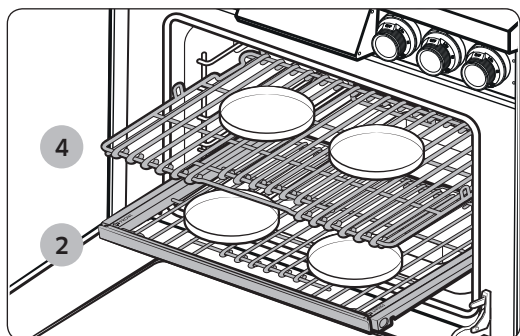
Posición de la rejilla	Tipo de alimento
5	Bistec
4	Hamburguesas, tostadas, bistec, pescado, pequeños cortes de aves
3	Tortas, muffins, brownies, galletitas, panqués
2	Pastel de ángel, tartas, Pies, asados, guisos, pizza
1	Pavo, carnes asadas de gran tamaño, pizza

- Esta tabla es para referencia solamente.

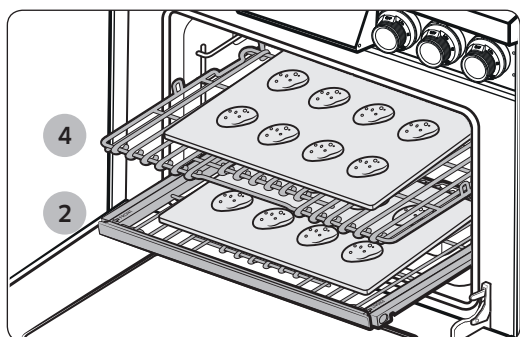
PRECAUCIÓN

- No cubra una rejilla del horno con papel de aluminio. Esto alterará la circulación del calor y creará problemas en el proceso de horneado.
- No coloque papel de aluminio sobre la parte inferior del horno. El aluminio puede derretirse y causar daños en el horno.
- Coloque las rejillas en la distribución deseada solamente cuando el horno se encuentre frío.
- Cuando coloque una rejilla en la posición superior (posición 5), asegúrese de que se apoye en forma estable en el tope incorporado.

Horneado con múltiples rejillas



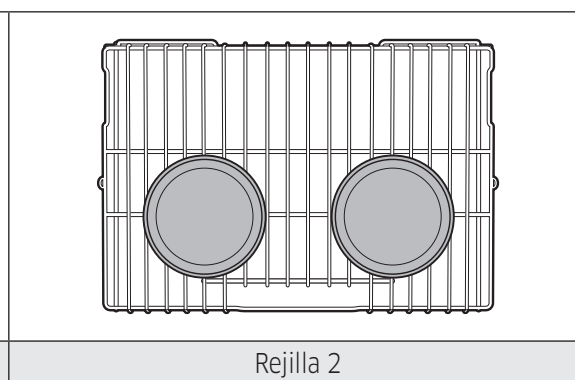
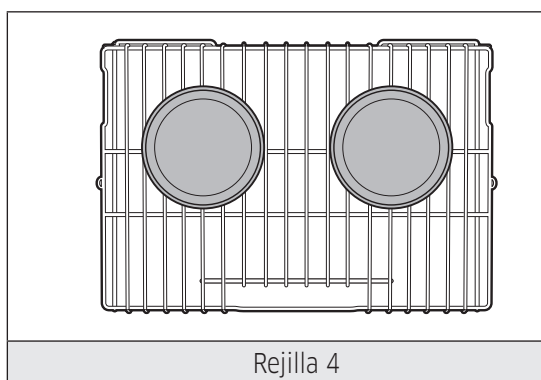
Posición de los recipientes para tortas



Posición de las bandejas para galletas

- Para hornear tortas o galletitas con dos rejillas, coloque las rejillas en las posiciones 2 y 4.
- Para 4 bandejas de hornear en dos rejillas: Coloque dos recipientes en la parte trasera de la rejilla superior y los otros dos en la parte delantera de la rejilla inferior.
- Cuando hornee múltiples elementos en una sola rejilla, mantenga un espacio de 1" a 1.5" (2.5 cm a 3.8 cm) entre los elementos.
- Si usa la rejilla deslizante, colóquela debajo de la rejilla plana.

Hornear alimentos	Posición de la rejilla
Pasteles	2 y 4
Galletas	2 y 4



Uso del horno

Antes de usar las rejillas

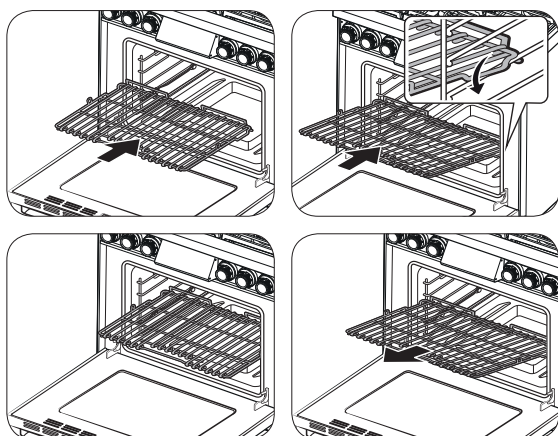
Cada rejilla tiene topes que requieren una colocación correcta sobre las guías. Estos topes impedirán que la rejilla se salga completamente.

Retirar las rejillas

1. Jale la rejilla directamente hacia afuera hasta que se trabe.
2. Levante la parte delantera de la rejilla y extráigala.

Volver a colocar las rejillas

1. Coloque el extremo de la rejilla sobre la guía.
2. Inclíne el extremo delantero y empuje la rejilla hacia adentro.



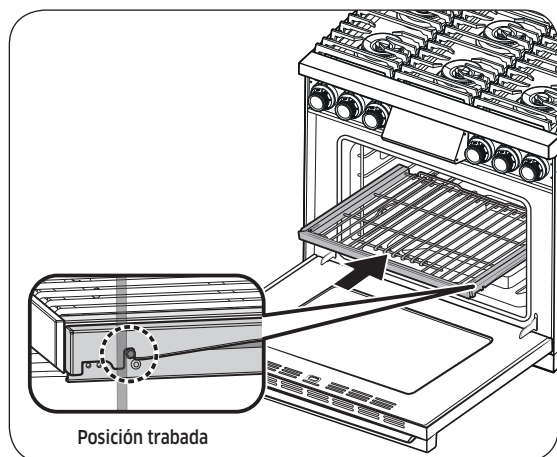
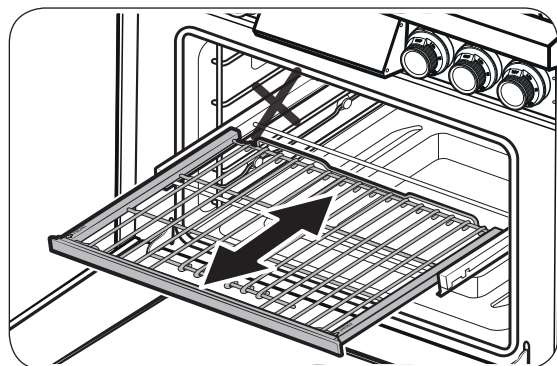
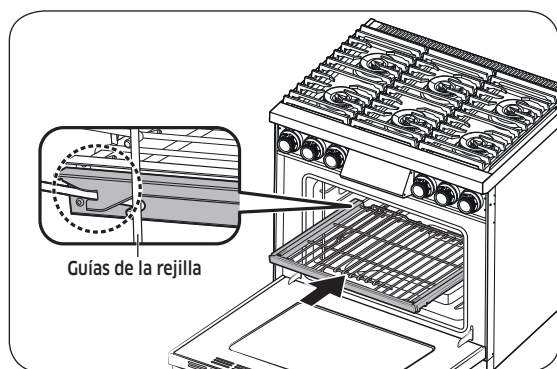
⚠ PRECAUCIÓN

- No use papel de aluminio para cubrir las rejillas ni el fondo del horno. Tales acciones entorpecerían la circulación del calor, crearían problemas en el proceso de horneado y podrían dañar el fondo del horno.
- Coloque las rejillas en la distribución deseada solamente cuando el horno se encuentre frío.

Uso de la rejilla deslizable

La rejilla deslizable totalmente extensible facilita la preparación de alimentos, especialmente cuando se preparan platos más pesados. La rejilla deslizable tiene 2 carriles que permiten extenderla hacia afuera del horno sin tocar los costados de las paredes.

Instalación de la rejilla deslizable



- Con la rejilla deslizable en la posición cerrada y el horno apagado, inserte cuidadosamente la rejilla entre las guías hasta que llegue a la parte posterior. Consulte la imagen de abajo a la izquierda para ver la posición cerrada.

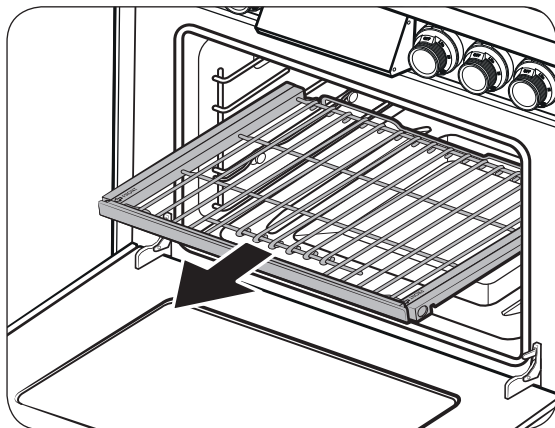
- Siempre tome la rejilla deslizable por la manija ubicada en la parte central delantera de la rejilla. Jalar la rejilla puede hacer que se suelte y provoque derrames y posibles lesiones.

NOTA

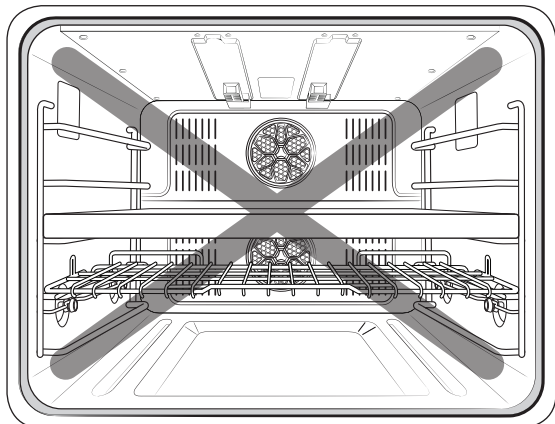
Asegúrese de trabar la rejilla deslizable en su soporte. De lo contrario, la rejilla podría soltarse y provocar lesiones.

Uso del horno

Cómo retirar la rejilla deslizante



- Con la rejilla deslizante en la posición cerrada y el horno apagado y frío, sujete la rejilla y el marco y jale ambos para retirarlos.



⚠ PRECAUCIÓN

- No intente instalar la rejilla deslizante directamente arriba de una rejilla de alambre.
- No podrá instalarla correctamente y la rejilla podría caerse.
- Mantenga al menos un nivel de rejilla libre entre la rejilla deslizable y la plana.

📖 NOTA

Puede colocar una rejilla deslizable en cualquier nivel menos en el más bajo (Nivel 1).

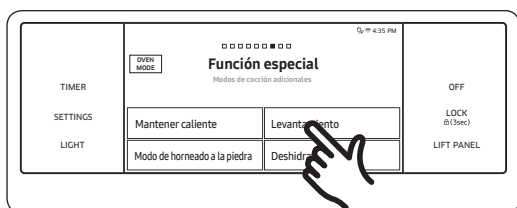
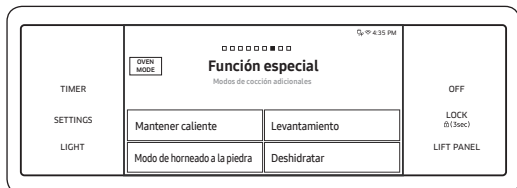
Guía de recomendaciones para asar a la parrilla

Los tiempos necesarios para asar a la parrilla dependerán del tamaño, peso, espesor, temperatura inicial y su preferencia en cuanto al grado de cocción. Esta guía está basada en carnes a temperatura de refrigerador. Para asar a la parrilla, utilice siempre una asadera y su rejilla. Antes de asar a la parrilla, precaliente siempre el horno por 5 minutos.

Alimento	Grado de cocción	Tamaño	Grosor (pulg)	Asar a la parrilla	Posición de la rejilla	Tiempo de cocción (min)	
						1er	2do
Hamburguesas	Medio	9 hamburguesas	1	HI (ALTO)	4	4:30-5:00	3:30-4:00
Bistec	Poco cocido	1 lb	1	HI (ALTO)	4	4:30-5:30	3:00-4:00
	Medio	1 lb	1	HI (ALTO)	4	5:00-6:00	5:00-6:00
	Bien cocido	1 lb	1	MED (MEDIO)	4	6:00-7:00	6:00-7:00
Trozos de pollo	Bien cocido	1.5 lb	½-1	Asar por conv LO (BAJA)	3	12:00-13:00	9:00-11:00
	Bien cocido	3 lb	½-1	Asar por conv LO (BAJA)	3	16:00-17:00	12:00-14:00
Bistec de cerdo	Bien cocido	1-2 uds.	½-1	LO (BAJO)	4	12:00-14:00	9:00-11:00
Pechugas de pollo	Bien cocido	3-5 uds.	½-1	MED (MEDIO)	4	7:00-9:00	8:00-10:00
Filetes de salmón	Bien cocido	3-5 uds.	½-1	MED (MEDIO)	4	5:00-7:00	4:00-6:00
Filetes de pescado	Bien cocido	3-5 uds.	¼-½	MED (MEDIO)	4	5:00-6:00	4:00-6:00
Filetes fríos	Bien cocido	3-5 uds.	1	MED (MEDIO)	4	7:00-9:00	7:00-9:00

Uso del horno

Uso de la función especial



1. Deslice el dedo por la pantalla hasta la **Función especial**. La pantalla mostrará las opciones de cocción especializadas.

2. Toque la opción de cocción deseada.

3. Elija la temperatura deseada.

4. Toque **INICIAR**.

NOTA

La temperatura del modo Mantener caliente no se puede modificar. El modo Mantener caliente solo dispone de un ajuste de temperatura, 175 °F.

La función especial ofrece 4 opciones especializadas de cocción diferentes.

Modo	Rango de temperatura
Mantener caliente	175 °F (80 °C) **
Levantamiento	95 °F (35 °C) / 105 °F (40 °C)
Modo de horneado a la piedra	375 °F (190 °C) - 475 °F (245 °C)
Deshidratar	105 °F (40 °C) - 225 °F (105 °C)

** Significa que se aplicará una temperatura configurada de fábrica para un mejor desempeño. No puede modificar esta temperatura.

Modo	Instrucciones
Mantener caliente	<ul style="list-style-type: none"> La función Mantener caliente mantendrá los alimentos calientes a una temperatura apta para servir por hasta 3 horas después de finalizada la cocción. Puede usar la función Mantener caliente sin combinar con otras operaciones de cocción o puede configurarla para que se active después de una operación de cocción regida por temporizador o de inicio retardado. No debe usar esta función para recalentar alimentos fríos.



Modo	Instrucciones									
Levantamiento	<ul style="list-style-type: none"> El Levantamiento genera automáticamente una temperatura óptima para el proceso de levantamiento del pan. <ul style="list-style-type: none"> - 95 °F / 105 °F Para obtener los mejores resultados, siempre inicie la opción de levantamiento del pan con el horno frío. Las funciones del modo de Levantamiento funcionan adecuadamente únicamente si la temperatura del horno está por debajo de los 125 °F. La temperatura no estará lo suficientemente caliente como para mantener los alimentos calientes. Coloque la masa en un recipiente resistente al calor en la posición de la rejilla 2 o 3 y cúbrala con un paño o con una envoltura de plástico. Es posible que deba enganchar el plástico debajo del recipiente para que el ventilador del horno no lo vuele fuera de la masa. Para evitar reducir la temperatura del horno y extender el tiempo de leudado, no abra la puerta del horno. 									
Modo de horneado a la piedra	<ul style="list-style-type: none"> Se requiere un accesorio de piedra. Hornee en una piedra de hornear o de pizza para la pizza y el pan. Siempre precaliente con una piedra para obtener los mejores resultados. El precalentamiento demorará aproximadamente 30 mins. Cuando suene una alarma, coloque la pizza o el pan en la rejilla de la posición 1 o 2. 									
Deshidratar	<ul style="list-style-type: none"> Deshidratar seca los alimentos o elimina la humedad de los alimentos a través de la circulación de calor. Después de secar los alimentos, guárdelos en un lugar fresco y seco. Agregar jugo de limón o ananá o espolvorear azúcar sobre las frutas ayuda a conservar su dulzura. <table border="1" data-bbox="417 1449 1299 1578"> <thead> <tr> <th data-bbox="417 1449 725 1495">Categoría</th> <th data-bbox="725 1449 1010 1495">Posición de la rejilla</th> <th data-bbox="1010 1449 1299 1495">Temperatura (°F)</th> </tr> </thead> <tbody> <tr> <td data-bbox="417 1495 725 1540">Vegetales o fruta</td> <td data-bbox="725 1495 1010 1540">2 o 3</td> <td data-bbox="1010 1495 1299 1540">105-150</td> </tr> <tr> <td data-bbox="417 1540 725 1587">Carne</td> <td data-bbox="725 1540 1010 1587">2 o 3</td> <td data-bbox="1010 1540 1299 1587">145-225</td> </tr> </tbody> </table>	Categoría	Posición de la rejilla	Temperatura (°F)	Vegetales o fruta	2 o 3	105-150	Carne	2 o 3	145-225
Categoría	Posición de la rejilla	Temperatura (°F)								
Vegetales o fruta	2 o 3	105-150								
Carne	2 o 3	145-225								

 **NOTA**

- En la función especial no es necesario precalentar excepto para el modo de Horneado a la piedra.
- Si el ajuste de temperatura está fuera del rango establecido, se oye un sonido de error.



Uso del horno

Tabla de posición de las rejillas para opciones de cocción especiales

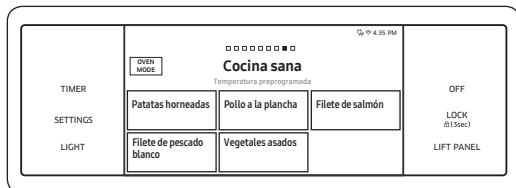
Modo	Posición de la rejilla
Mantener caliente	3
Levantamiento	2 o 3
Modo de horneado a la piedra	1 o 2
Deshidratar	2 o 3

Para algunas funciones comunes, consulte la página **Uso del horno**.

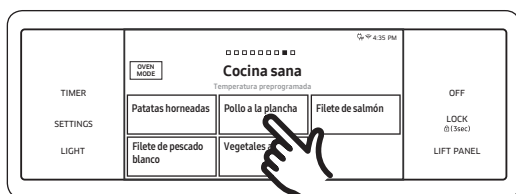
A continuación se detallan las funciones comunes.

- Ajustes básicos
- Uso de la sonda de temperatura
- Configuración del modo
- Ajuste de la temperatura
- Temporizador de cocina
- Retrasar el inicio
- Uso de la función de limpieza
- Uso de la función Sabbath
- Uso de la función de iQ Control
- Para iniciar el horno de manera remota
- Verrouillage des commandes
- Configuración

Uso de la función de comida saludable



1. Deslice el dedo por la pantalla hasta la **Cocina sana**. La pantalla mostrará las opciones de cocción especializadas.



2. Toque la opción de cocción deseada.

La cocción saludable ofrece 5 opciones especializadas de cocción diferentes.

Alimento	Rango de temperatura	Temperatura predeterminada	Posición de la rejilla
Patatas horneadas	175 °F (80 °C) - 550 °F (285 °C)	375 °F (190 °C)	3
Pollo a la plancha	175 °F (80 °C) - 550 °F (285 °C)	375 °F (190 °C)	3
Filete de salmón	High (Alta)/Medium (Media)/Low (Baja)	High (Alta)	3
Filete de pescado blanco	175 °F (80 °C) - 550 °F (285 °C)	400 °F (205 °C)	3
Vegetales asados	175 °F (80 °C) - 550 °F (285 °C)	375 °F (190 °C)	3

Uso del horno

Alimento	Instrucciones
Patatas horneadas	<ul style="list-style-type: none">• Diseñado especialmente para cocinar papas o batatas.
Pollo a la plancha	<ul style="list-style-type: none">• Diseñado especialmente para cocinar presas o pechugas de pollo. Para evitar que la piel se dore de más y se seque, envuelva cada presa o pechuga en papel de aluminio.
Filete de salmón	<ul style="list-style-type: none">• Diseñado especialmente para cocinar rodajas de salmón.
Filete de pescado blanco	<ul style="list-style-type: none">• Diseñado especialmente para cocinar filetes de pescado blanco o bacalao.
Vegetales asados	<ul style="list-style-type: none">• La función verduras asadas está diseñada especialmente para cocinar diferentes tipos de verduras como papas, berenjena, calabacín, zanahorias, etc.

NOTA

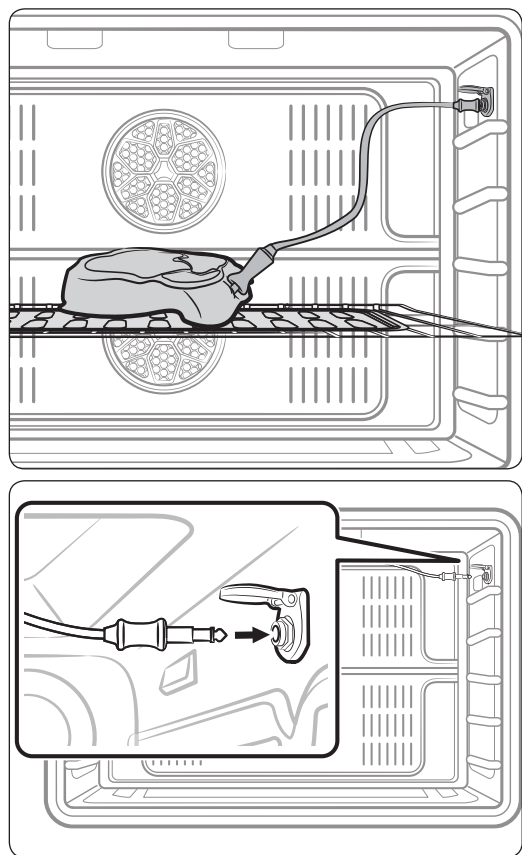
No es necesario el precalentamiento.

Uso de la sonda de temperatura

Para muchas carnes, especialmente asados y aves la mejor manera de determinar si la comida está bien cocida es medir la temperatura interna. La sonda de temperatura le permite cocinar carne con la temperatura interna exacta que desea. Esta función se puede usar con Hornear, Horneado por convección o Asar por convección o Convección profesional. Una vez que la temperatura interna del alimento alcanza los 100 °F, el aumento de la temperatura interna se mostrará en la pantalla.

Cómo usar la sonda de temperatura

1. Empuje la sonda en la carne de manera que la punta de la sonda llegue hasta el centro de la carne.



- Inserte la sonda por completo en la carne como se muestra en las ilustraciones. No debe estar en contacto con huesos, grasa o cartílagos. Si la sonda no se inserta por completo en la carne, la función Sonda de temperatura no funcionará correctamente dado que se detectará la temperatura del horno y no la temperatura de la carne.
- Para carnes con hueso, inserte la sonda en el centro de la parte más baja y más gruesa de la pieza.
- Para aves enteras (pavo, pollos grandes, etc.), inserte la sonda en la parte más gruesa del muslo interno, paralela a la pierna.
- Si activa la función Mantener caliente para mantener la temperatura de la carne después de haberla cocinado usando la función de sonda de temperatura, la carne puede cocinarse de más.

Uso del horno

2. Enchufe la sonda en la toma de la pared lateral superior del horno.
3. Deslice el dedo hasta la operación de cocción que desee (Hornear, Horneado por convección, Asar por convección, o Convección profesional). Seleccione el modo de cocción que desee. Configure la temperatura de cocción. (Consulte la página 43.)
4. Toque **Sonda de temperatura** y utilice el panel numérico para establecer la temperatura interna deseada.

Temperaturas disponibles	100 °F a 200 °F
--------------------------	-----------------

5. Toque **INICIAR**. Cuando se alcanza la temperatura interna deseada, la función automáticamente se detiene y suena una alarma.

PRECAUCIÓN

No permita que la punta de la sonda sobresalga de la carne. Asegúrese de que la punta esté dentro o cerca de la parte más gruesa de la carne.

PRECAUCIÓN

- A fin de evitar dañar la sonda, no la deje en el horno por ningún motivo que no sea su uso adecuado.
- Para evitar la rotura de la punta de la sonda, descongele los alimentos por completo.
- A fin de evitar dañar la sonda, no la deje en el horno por ningún motivo que no sea su uso adecuado. Las pinzas pueden dañar la sonda.
- Use la sonda de temperatura únicamente para la función de cocción con Sonda de temperatura.

NOTA

- Si quita la sonda mientras la función de Sonda de temperatura está activada o inserta la sonda mientras se está horneando o cocinando normalmente, la cocción se detendrá después de un minuto.
- Si usa la sonda para cocinar alimentos congelados, a veces no se puede detectar. (El icono de la sonda de temperatura no aparecerá en la pantalla.)

Tabla de temperaturas

Tipo de alimento		Temperatura interna (°F)
Vacuno / cordero	Poco cocido	140-150
	Media	160-170
	Bien cocido	175-185
Cerdo		175-185
Carne de ave		185-195

NOTA

Si cubre la carne con papel de aluminio y la deja reposar por 10 minutos después de la cocción, la temperatura interna aumentará 5-10 grados.

Retirar la sonda de temperatura

Desenchufe la sonda de temperatura, luego retírela de la carne. Almacene la sonda de carne en un lugar separado, no la deje conectada a la toma.

PRECAUCIÓN

Después de la cocción, la sonda de temperatura está lo suficientemente caliente como para causar quemaduras. Deje que se enfríe antes de retirarla.

Uso del horno

Uso de la función de limpieza

Autolimpieza

Durante la autolimpieza, el horno se calienta por encima de los niveles de cocción normales afin de quemar y reducir los residuos a un fino polvo que puede retirar con un paño húmedo.

PRECAUCIÓN

- Durante el ciclo de autolimpieza, el exterior del horno puede volverse muy caliente al tacto. **No** deje a los niños pequeños sin vigilancia en la proximidad del electrodoméstico.
- Algunas aves son muy sensibles a las emanaciones que se producen durante el ciclo de autolimpieza de cualquier horno. Lleve las aves a otra habitación bien ventilada.
- La puerta del horno se traba durante la autolimpieza. **No** fuerce la apertura de la puerta del horno. Tales maniobras pueden dañar el sistema de traba automática de la puerta. Tenga precaución al abrir la puerta del horno cuando se haya completado el ciclo de autolimpieza. Tome una posición hacia un lado del horno cuando abra la puerta para dejar salir el vapor o aire caliente. El horno aún se puede encontrar **MUY CALIENTE**.

Autolimpieza

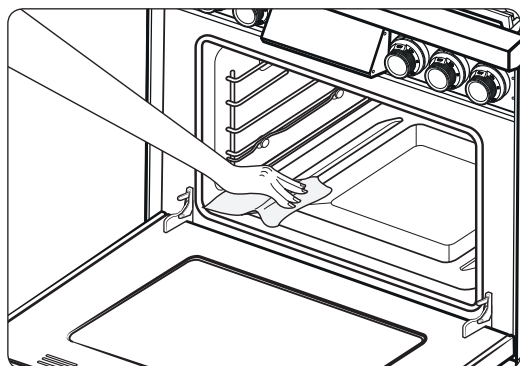


Fig. 1

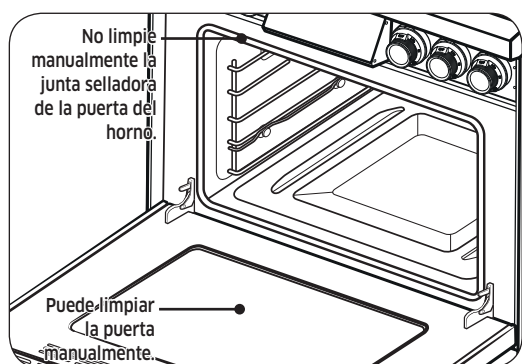


Fig. 2

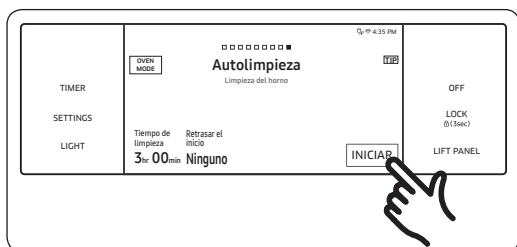
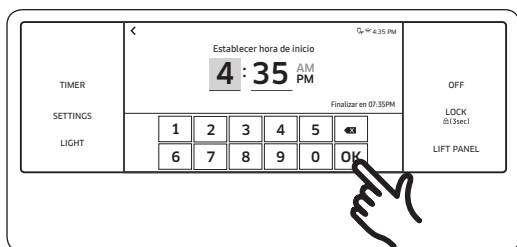
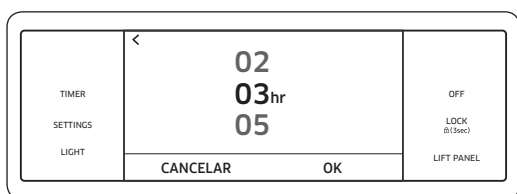
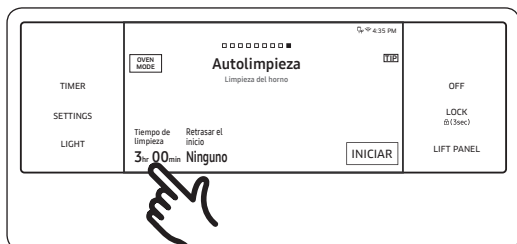
- Mantenga la cocina bien ventilada durante el ciclo de autolimpieza.
- Retire las rejillas, soportes y cualquier elemento extraño/suelto del horno.
- Utilice una esponja o un paño para retirar la suciedad del fondo del horno. (Fig. 1)
- Limpie la puerta del horno y marco frontal alrededor de la junta con agua caliente y paños de lana de acero bien enjabonada o limpiadores no abrasivos. Enjuague bien con agua limpia y seque con un paño.
- La junta de la puerta del horno es frágil y no soporta la limpieza manual. No limpie la junta selladora. Si la junta está desgastada o deshilachada, reemplácela.
- Asegúrese de que la cubierta de la luz del horno se encuentre bien colocada y que la luz del horno esté apagada.

NOTA

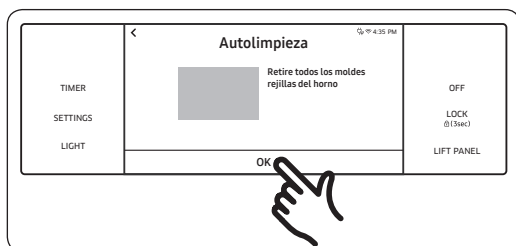
- Para obtener información detallada sobre cómo retirar las rejillas, consulte las páginas 48 y 50.
- Para obtener información detallada sobre cómo retirar los soportes de las rejillas, consulte la página 85.

Uso del horno

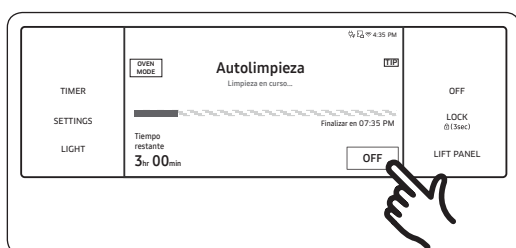
Cómo ejecutar un ciclo de autolimpieza



1. Deslice el dedo por la pantalla hasta Limpiar.
2. Toque Autolimpieza.
3. Toque Tiempo de limpieza.
4. Desplácese por la pantalla para seleccionar el tiempo de limpieza. Se puede optar por un ciclo de 2, 3 o 5 horas. (El ajuste predeterminado es de 3 horas).
5. Toque OK.
6. Si no desea usar la función de retrasar el inicio, vaya al paso 8. De lo contrario, toque Retrasar el inicio y vaya al paso 7.
7. Programe la hora a la que desea que se inicie la autolimpieza y luego toque OK.
8. Toque INICIAR para empezar la autolimpieza. La traba de la puerta del horno accionada por motor se cerrará automáticamente.



9. Retire del horno todos los utensilios, rejillas y filtros.



10. Si necesita detener o interrumpir un ciclo de autolimpieza, toque **OFF**.

NOTA

- Le resultará imposible iniciar un ciclo de autolimpieza si se encuentra activada la función de traba de controles o si la temperatura del horno es demasiado elevada.
- Las puertas del horno se traban automáticamente. La pantalla mostrará el tiempo de limpieza restante. No podrá abrir las puertas del horno hasta que la temperatura del horno disminuya hasta un nivel seguro.
- Durante el modo de autolimpieza, no debe operar los quemadores de la cubierta.

Después de un ciclo de autolimpieza

- Es posible que note una cierta cantidad de ceniza blanca dentro del horno. Límpiela con un paño húmedo una vez que el horno se haya enfriado. (Si quedan manchas blancas, quítelas con una esponja de lana de acero bien enjabonada y enjuague a fondo con una mezcla de vinagre y agua).
- Si el horno no ha quedado limpio después de un ciclo, repita el ciclo.
- No se puede programar el horno para cocción hasta que su temperatura se haya reducido lo suficiente como para permitir que la puerta se destrabe.

Uso del horno

Uso de la función sabbat

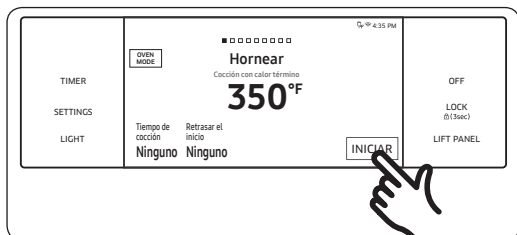
(Para uso en el Sabbath y otras fechas sagradas judías)



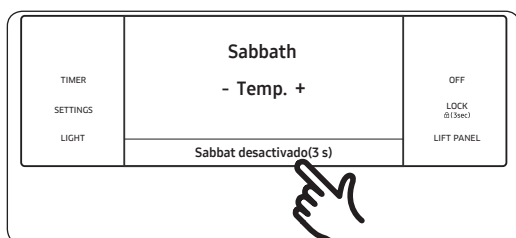
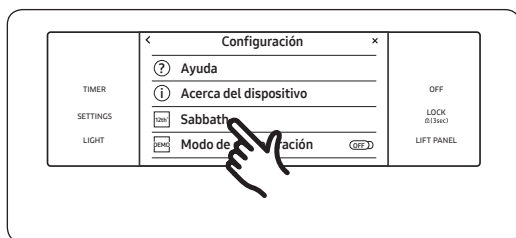
Para obtener asistencia adicional, pautas para el uso adecuado y una lista completa de modelos con la función Sabbath, visite <http://www.star-k.org>.

Solo puede usar la función Sabbath con el horneado. La temperatura del horno se puede regular más alta o más baja después de haber configurado la función Sabbath. (La función de ajuste de temperatura del horno debe utilizarse solamente durante fechas sagradas judías.) Sin embargo, la pantalla no cambiará ni se producirán sonidos cuando se produzca un cambio. Una vez que el horno se encuentre correctamente configurado para hornear con la función Sabbath activada, el horno permanecerá encendido continuamente hasta que se cancele la función Sabbath. Esto anulará la función predeterminada de ahorro de energía de 12 horas. Si la luz del horno es necesaria durante la función Sabbath, toque **LIGHT (LUZ)** antes de activar la función Sabbath. Una vez que la luz del horno se encuentre encendida y se encuentre activada la función Sabbath, la luz interna del horno permanecerá encendida hasta que la función Sabbath sea desactivada. Si la luz del horno debe estar apagada, asegúrese de apagarla antes de activar la función Sabbath.

Cómo utilizar la función Sabbath



1. Deslice el dedo por la pantalla hasta el modo Hornear.
2. Ajuste la temperatura y el tiempo de cocción que desee.
3. Toque INICIAR.



4. Toque **SETTINGS (CONFIGURACIÓN) > Sabbath (Sabbat)** para usar esta función. El horno no sonará ni mostrará otros cambios. Usted podrá cambiar la temperatura del horno una vez comenzada la operación de hornear. Recuerde que, una vez activada la función Sabbath, el horno ya no emitirá señales sonoras ni mostrará ningún cambio.
5. Puede apagar el horno en cualquier momento tocando **OFF**. Tenga en cuenta que esto no desactiva el modo Sabbath.
6. Para desactivar el modo Sabbath (Sabbat), mantenga presionado **Sabbat desactivado** durante 3 segundos.

- ★ No intente activar ninguna otra función de programa excepto Hornear mientras la función Sabbath está activa.
- 📄 Después de cambiar la temperatura mientras la unidad está en modo Sabbath, hay una demora de 15 segundos antes de que la unidad reconozca el cambio.
- 📄 Puede programar la función Tiempo de cocción antes de activar la función Sabbath.
- 📄 En caso de falla de energía, el horno se apaga solo. Cuando vuelva la electricidad el horno no se encenderá automáticamente. **Sabbath (Sabbat)** aparecerá en el panel de control, pero el horno no estará encendido. Los alimentos pueden retirarse con seguridad durante el modo Sabbath (Sabbat), pero el horno no podrá utilizarse hasta después de las festividades del Shabat, cuando podrá presionar **Sabbat desactivado** durante 3 segundos.
- ★ No abra la puerta del horno ni cambie la temperatura del horno durante alrededor de 30 minutos después de haber iniciado el modo Sabbath para permitir que el horno alcance la temperatura fijada. Observe que para obtener un mejor rendimiento, el ventilador del horno funciona solamente cuando la temperatura del horno está aumentando.

Uso del horno

Uso de la función de iQ Control


Para usar la función IQ Control del horno, debe descargar la aplicación SmartThings a un dispositivo móvil. Las funciones disponibles con la aplicación SmartThings pueden no funcionar adecuadamente si las condiciones de comunicación son deficientes o el horno está instalado en un lugar con una señal Wi-Fi débil.

Puede necesitarse un amplificador de potencia de Wi-Fi. El amplificador de potencia de Wi-Fi no está suministrado por Dacor.

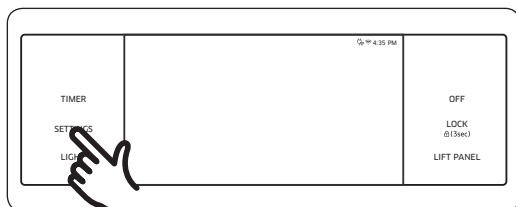
Consulte la tabla siguiente para conocer las funciones principales disponibles desde la aplicación.

Cuando el iQ Control del horno está desactivado	Supervisión (horno, sonda), apagar horno
Cuando el iQ Control del horno está activado	Supervisión (horno, sonda), apagar horno, detección de errores

Cómo conectar el horno

1. Descargue y abra la aplicación SmartThings en su dispositivo inteligente.
2. Siga las instrucciones en pantalla de la aplicación para conectar el horno.
3. Una vez completado el proceso, se muestra el icono de conexión  ubicado en el horno y la aplicación confirma que está conectado.
4. Si el icono de conexión no se enciende, siga la instrucción en la aplicación para volver a conectarse.

Para iniciar el horno de manera remota



Toque **SETTINGS (CONFIGURACIÓN)** > Conexiones > Control iQ y luego toque **ON**.

Cuando el iQ Control está activado se puede:

- Cambiar los ajustes del horno de manera remota (modo, tiempo, temperatura) mediante el dispositivo móvil.
- Apagar/encender el horno de manera remota.

NOTA

Importante: El modo de autolimpieza no se puede iniciar de manera remota.

NOTA

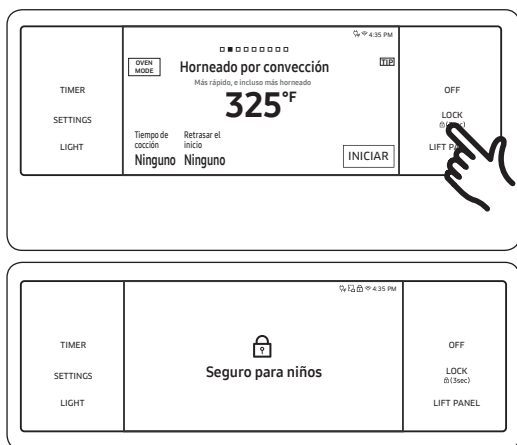
- Si abre la puerta del horno se desactivará IQ Control y se evitará que usted pueda encender el horno o controlarlo de manera remota.
- Si IQ Control está desactivado, aún puede supervisar el estado del horno y apagarlo.
- Cuando la cocción en el horno finaliza o se cancela, IQ Control se desactiva.

Uso del horno

Seguro para niños

Esta función bloquea el teclado táctil y traba la puerta del horno. Solo puede activar la Seguro para niños cuando el horno está en modo de espera.

Cómo activar la función de seguro para niños

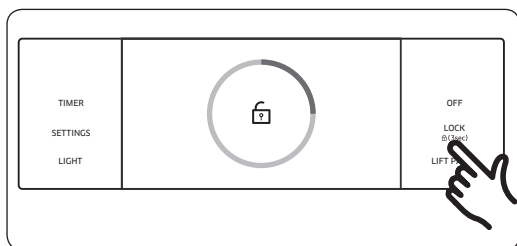


1. Cancele o desactive todas las funciones.
2. Mantenga presionado **LOCK (BLOQUEO)** durante 3 segundos.
3. Aparecerá la pantalla de Seguro para niños; aparecerá el icono del candado en la parte inferior de la pantalla.

NOTA

- La función de Seguro para niños solo está disponible si la temperatura del horno es inferior a 400 °F.
- Todas las demás funciones deben cancelarse antes de activar la Seguro para niños.

Cómo destrabar los controles



1. Mantenga presionado **LOCK (BLOQUEO)** durante 3 segundos. La confirmación de la Seguro para niños y el icono de bloqueo desaparecerán de la pantalla.

NOTA

El desbloqueo de la puerta puede demorarse hasta 10 segundos.

Configuración

En Configuración puede cambiar los ajustes según su preferencia o diagnosticar problemas de conexión de red.



Toque **SETTINGS (CONFIGURACIÓN)**. La pantalla mostrará el ajuste seleccionado.

Wi-Fi

Habilitar conexión Wi-Fi

1. Toque **SETTINGS (CONFIGURACIÓN)** > **Conexiones** > **Wi-Fi** y luego toque **ON** en la pantalla derecha.
2. Toque **Wi-Fi**, y luego elija una red Wi-Fi de la lista que aparece.
3. Se le pedirá que ingrese una contraseña. Ingrese la contraseña.

Conectar a una IP de modo manual

1. Toque **SETTINGS (CONFIGURACIÓN)** > **Conexiones** > **Wi-Fi** y luego toque **ON** en la pantalla derecha.
2. Toque **Wi-Fi** y luego toque **Agregar red**.
3. Ingrese la IP, y luego seleccione **CONECTAR** para aplicar sus preferencias.

NOTA

- Para deshabilitar la conexión Wi-Fi, toque **SETTINGS (CONFIGURACIÓN)** > **Wi-Fi** y luego toque **OFF** en la pantalla derecha.
- Para información detallada sobre la conexión Wi-Fi y el uso de la aplicación SmartThings, consulte el manual de usuario de la aplicación SmartThings.



Uso del horno

Pantalla

- **Brillo**

Puede modificar el brillo de la pantalla.

 - Toque **SETTINGS (CONFIGURACIÓN) > Pantalla > Brillo** y luego use la barra que aparece al lado para ajustar el brillo de la pantalla.
- **Protector de pantalla**

Si se desactiva el protector de pantalla, se desactivarán el tema del reloj y el menú del tiempo de espera.

 - Toque **SETTINGS (CONFIGURACIÓN) > Pantalla > Protector de pantalla** y luego toque **OFF** en la pantalla derecha.
- **Tema del reloj**
 - Toque **SETTINGS (CONFIGURACIÓN) > Pantalla > Tema del reloj** y luego toque la pantalla derecha. Elija un tema.
- **Tiempo de espera**
 - Toque **SETTINGS (CONFIGURACIÓN) > Pantalla > Tiempo de espera** y luego toque la pantalla derecha. Puede seleccionar un tiempo de 5 a 60 minutos.

Temperatura

- **Unidad de temperatura**

Puede programar el control del horno para mostrar la temperatura en Fahrenheit (Predeterminada) o Centígrados.

 - Toque **SETTINGS (CONFIGURACIÓN) > Temperatura > Unidad de temp.** y luego toque la pantalla derecha. Puede seleccionar °C o °F.
- **Ajuste de temperatura**

La temperatura dentro del horno ya ha sido calibrada en la fábrica. Al principio, cuando utilice el horno, asegúrese de seguir las indicaciones de tiempo y temperatura de las recetas. Si cree que la temperatura del horno es excesiva o insuficiente, es posible corregirla. Antes de corregirla, pruebe una receta utilizando una regulación de temperatura más alta o más baja que la recomendada. Los resultados lo ayudarán a determinar los ajustes adecuados. La temperatura del horno puede ajustarse ± 35 °F (± 19 °C).

 - Toque **SETTINGS (CONFIGURACIÓN) > Temperatura > Ajustar temperatura** y luego toque la pantalla derecha.

NOTA

Este ajuste no afectará la temperatura para asar a la parrilla ni la de autolimpieza. El ajuste se mantendrá en la memoria incluso después de un corte de electricidad.





Volumen

Ajuste el volumen de señales sonoras y melodías.

- Toque **SETTINGS (CONFIGURACIÓN)** > **Volumen** y luego use la barra que aparece al lado para ajustar el volumen.

Iluminación

La estufa Pro de Dacor proporciona dos funciones específicas de luz, "Iluminación tipo lluvia" e "Iluminación de bienvenida".

En la función "Iluminación tipo lluvia" los botones quedan iluminados por los botones que se encuentran arriba de ellos.

La "Iluminación de bienvenida" es un tipo de luz que se muestra cuando se levanta el panel LED.

- Para ajustar la iluminación tipo lluvia, toque **SETTINGS (Configuración)** > **Iluminación** y luego seleccione **On**, **Automática** o **Off**.
- Para ajustar la iluminación tipo lluvia, toque **SETTINGS (Configuración)** > **Iluminación** y luego seleccione **On**, o **Off**.

Ahorro de energía de 12 horas

Si dejara el horno encendido, esta función automáticamente apagará el horno transcurridas 12 horas si está operando en funciones de horneado o transcurridas 3 horas si está asando a la parrilla.

1. Toque **SETTINGS (CONFIGURACIÓN)** > **Ahorro de energía de 12 horas** y luego toque **ON** en la pantalla derecha.
2. Se visualizará el icono de ahorro de energía de 12 horas en el área de indicadores.

iQ Control

Para iniciar el horno de manera remota

- Toque **SETTINGS (CONFIGURACIÓN)** > **Conexiones** > **Control iQ** y luego toque **ON**. (Consulte la sección **Uso de la función de iQ Control** en la página 66.)

Conexión fácil

La conexión fácil permite que configure fácilmente los ajustes de red, incluido el procedimiento de autenticación.

- Toque **SETTINGS (CONFIGURACIÓN)** > **Conexiones** > **Conexión fácil** y luego toque **CONECTAR**.



Uso del horno

Conectividad de la campana

Al conectar la campana, esta se activará y desactivará automáticamente cuando utilice la placa de cocción.

1. Toque **SETTINGS (CONFIGURACIÓN)** > Conexiones > Conectividad de la campana.
2. Activar Bluetooth en la campana.
3. Toque **CONECTAR** en la pantalla LCD para conectar la campana.

	Rango de control de la campana	Campana
Modelo	DOP36M96GL*	DHD30M967W* DHD36M967I* DHD36M987W* DHD48M967I* DHD48M987W*

Ayuda

Aquí verá sugerencias útiles y explicaciones sobre temas específicos.

1. Solución de problemas
 - Elija un tema directamente en la pantalla y pruebe las sugerencias.
2. Guía para el primer uso
 - Proporciona instrucciones simples sobre el uso básico del horno.

Acerca del dispositivo

Puede leer la información sobre el horno y actualizar el sistema.

Para actualizar el sistema:

1. Toque **SETTINGS (CONFIGURACIÓN)** > Acerca del dispositivo > Actualización de software y luego toque **Actualizar** en la pantalla derecha.
2. Seleccione **INSTALAR**. El software se actualiza y el sistema se reinicia automáticamente.

Sabbat

Puede programar el modo Sabbat. Consulte la sección **Uso de la función sabbat** en la página 64.

Gestión remota

El centro de atención al cliente accederá remotamente a su producto para revisar las funciones internas cuando encuentre algún problema.

- Toque **SETTINGS (CONFIGURACIÓN)** > Conexiones > Gestión remota y luego toque **ACTIVAR**.

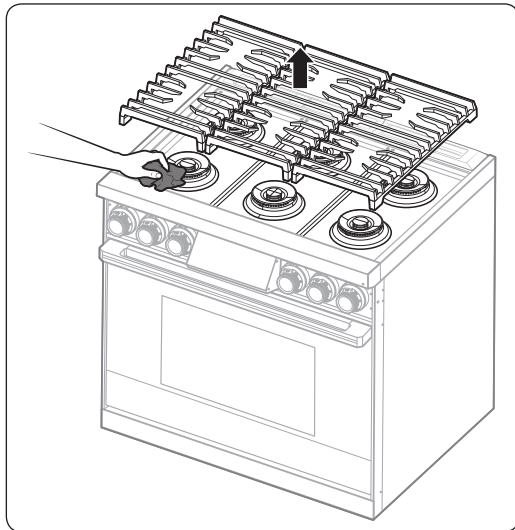
Cuidado y mantenimiento - placa de cocción

! ADVERTENCIA

Asegúrese de que la energía eléctrica esté desconectada y todas las superficies estén frías antes de limpiar cualquier parte de la placa de cocción. Es obligatorio llevar guantes durante la limpieza. Algunos quemadores y partes de la cubierta tienen bordes filosos. Tenga cuidado cuando los limpie.

Limpeza de la superficie de la placa de cocción

Debe limpiar los derrames lo antes posible.



1. Apague todos los quemadores.
2. Cuando las rejillas se hayan enfriado lo suficiente, retírelas.
3. Limpie la superficie de la placa de cocción con un paño suave. Si se producen derrames en los huecos de los componentes del quemador, retire la tapa del quemador y el cabezal y limpie los derrames.
4. Cuando termine de limpiar, vuelva a ensamblar los quemadores y coloque las rejillas.

! PRECAUCIÓN

No limpie las rejillas de los quemadores en una lavavajillas.

Cuidado y mantenimiento - placa de cocción

Superficies de acero inoxidable

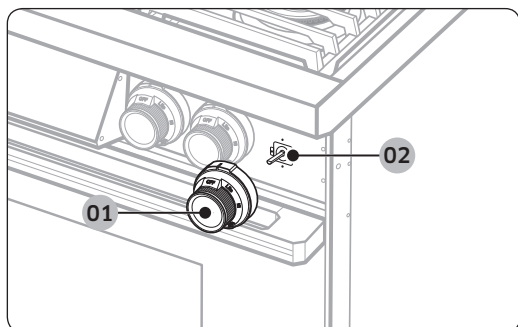
1. Elimine derrames, manchas y grasa con un paño suave humedecido.
2. Aplique un limpiador de acero inoxidable aprobado a un paño húmedo o una toalla de papel.
3. Limpie un área pequeña cada vez, frotando en la dirección del grano del acero inoxidable, si corresponde.
4. Seque la superficie con un paño suave seco.
5. Repita los pasos 2 a 4 según sea necesario.

PRECAUCIÓN

- No utilice productos (por ejemplo, esponja de lana de acero, espátulas filosas, limpiadores abrasivos, lejía cáustica/hidróxido de sodio) que puedan dañar el acero y los componentes.
- No retire la bandeja para derrames para limpiarla. Las tuberías de gas que van a los distribuidores de los quemadores se pueden dañar y provocar un incendio o un mal funcionamiento.
- No permita que entre agua en la placa de cocción. Esta podría gotear en los sistemas eléctricos y de gas y crear un riesgo de descarga eléctrica o elevados niveles de monóxido de carbono (CO), debido a la corrosión de las válvulas o los puertos del gas.
- No rocíe ningún tipo de limpiador en los orificios de distribución. El sistema de encendido interno debe permanecer seco.

Perillas de control

Apague todas las perillas de los quemadores.



01 Sujete cada perilla y empuje para retirarla.

02 Vástago de la válvula. No lo retire.

1. Extraiga las perillas de los vástagos de la válvula.
2. Limpie las perillas con agua jabonosa tibia, luego enjuáguelas y séquelas completamente.
3. Limpie las superficies de acero inoxidable con un limpiador adecuado.
4. Vuelva a colocar las perillas en la posición **OFF** en los vástagos de la válvula de control.

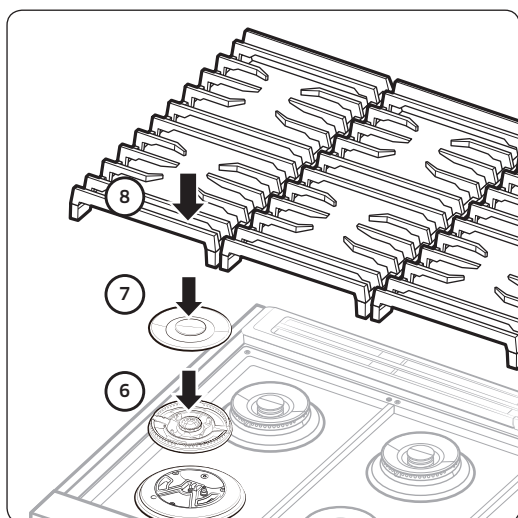
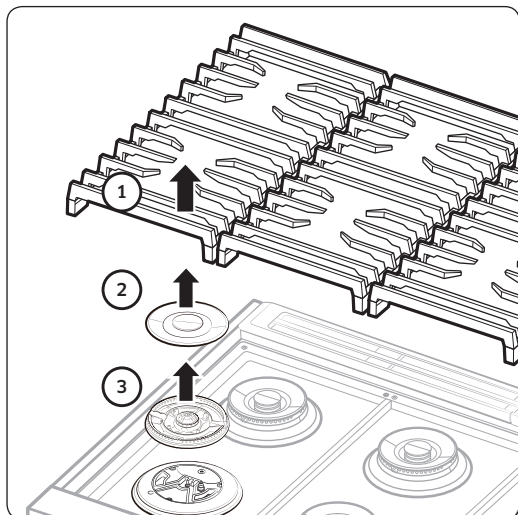
⚠ PRECAUCIÓN

- No limpie las perillas de control en una lavavajillas.
- No rocíe limpiadores directamente sobre el panel de control. Si ingresa humedad en los circuitos eléctricos puede provocar descargas eléctricas o daños en el producto.

Cuidado y mantenimiento - placa de cocción

Rejillas de los quemadores y componentes

Apague todos los quemadores superiores y asegúrese de que se hayan enfriado.



1. Retire las rejillas de los quemadores.
2. Retire las tapas de los cabezales de los quemadores.
3. Retire los cabezales de los quemadores de las válvulas de distribución para dejar al descubierto los electrodos de encendido.
4. Limpie las rejillas y los componentes de los quemadores en agua jabonosa tibia. (No use esponjas de lana de acero ni limpiadores abrasivos.)
5. Enjuague y seque bien las rejillas y los componentes de los quemadores. Asegúrese de que no haya agua en los puertos de los quemadores.
6. Vuelva a ensamblar los cabezales de los quemadores y asegúrese de insertar un electrodo de encendido a través del orificio en cada cabezal.

NOTA

Consulte las páginas -79 para obtener más información sobre cómo volver a ensamblar los componentes de los quemadores.

7. Vuelva a ensamblar los componentes de los quemadores restantes, asegurándose de que las tapas quedan planas arriba de los cabezales.
8. Vuelva a instalar las rejillas de los quemadores en sus respectivas posiciones.
9. Encienda cada quemador para verificar que funciona correctamente y luego apáguelo.

Tapas y cabezales de los quemadores

NOTA

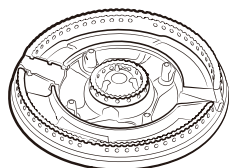
Antes de retirar las tapas y los cabezales de los quemadores, recuerde su tamaño y ubicación. Vuelva a colocarlos en la misma ubicación después de realizar la limpieza.

Lave las tapas y los cabezales de los quemadores en agua jabonosa tibia y enjuague con agua corriente limpia. Puede fregar con una esponja plástica para eliminar las partículas de alimentos quemados.

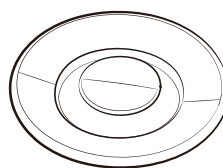
Utilice una aguja de coser o una tira de alambre para destapar los orificios pequeños del cabezal del quemador, si es necesario.

PRECAUCIÓN

- No limpie ninguna de las piezas de los quemadores en una lavavajillas.
- No use lana de acero o polvos abrasivos para limpiar los quemadores.



Cabezal del quemador de latón



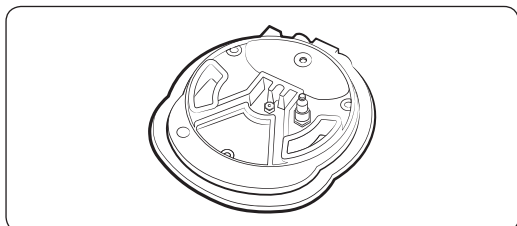
Tapa del quemador de latón

NOTA

- Las partes de latón del quemador cambian de color. Sin embargo, esto no afecta el rendimiento.
- Después de limpiarlos, verifique que ningún puerto de los quemadores esté obstruido.
- Si lo desea, puede reemplazar las tapas originales de los quemadores por tapas de porcelana.
- Para eliminar la grasa quemada, remoje la tapa de los quemadores de latón en una solución de agua y 1 cucharada de vinagre blanco o 1 cucharada de jugo de limón. No utilice un cepillo metálico para limpiarlas. Podría dañar las partes de latón.

Cuidado y mantenimiento - placa de cocción

Bases de los quemadores



⚠ PRECAUCIÓN

Las bases de los quemadores no son extraíbles; no intente desensamblarlas.

Asegúrese de que no ingrese agua en las bases de los quemadores ni en los orificios de gas de latón.

Límpielos con un paño húmedo, con cuidado de no dañar o deformar las bases. Asegúrese de que las bases estén completamente secas antes de utilizar la placa de cocción.

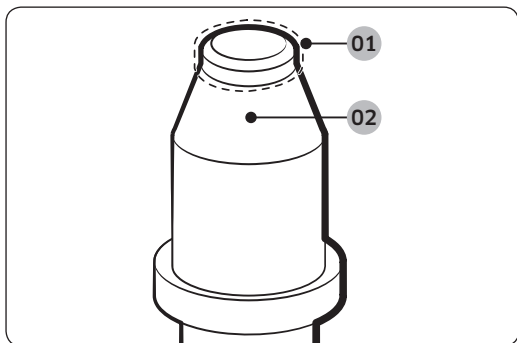
Electrodos

⚠ ADVERTENCIA

No encienda la válvula al tocar el electrodo. Puede producirse una descarga eléctrica.

⚠ PRECAUCIÓN

No intente retirar el electrodo de la placa de cocción o las bases de los quemadores.



- 01** Parte metálica: Limpie esta pieza de metal
- 02** Parte de cerámica blanca: No limpie esta pieza de cerámica blanca con una lima de cartón

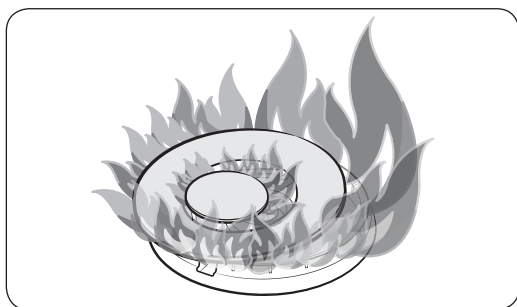
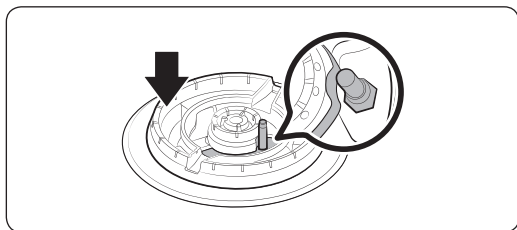
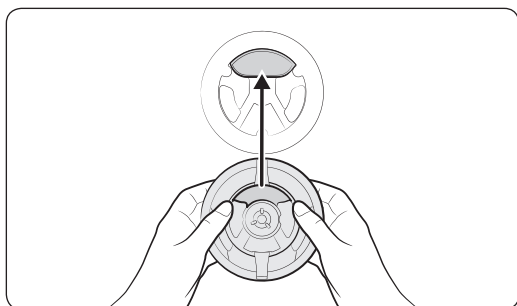
No cocine nunca al mismo tiempo que está limpiando la placa de cocción.

Asegúrese de que los electrodos de cerámica blanca estén limpios y secos. Limpie la parte metálica con un paño suave. No limpie los dispositivos de ignición con agua.

Antes de volver a ensamblar los quemadores superiores, empuje suavemente hacia abajo cada uno de los electrodos de cerámica blanca para asegurarse de que queden presionados contra las bases de los quemadores.

Reemplazo del cabezal y la tapa de los quemadores

Cabezal/tapas del quemador doble



1. Oriente el cabezal del quemador de manera que la abertura del electrodo quede alineada con el electrodo.
2. Instale el cabezal del quemador de modo que el electrodo pase por su abertura en el cabezal. Verifique que el cabezal del quemador quede plano sobre la placa de cocción.
3. Vuelva a instalar las tapas en los cabezales de los quemadores, haciendo coincidir su tamaño con el de los quemadores.

PRECAUCIÓN

Cada tapa encaja con el cabezal de un quemador específico. Verifique que cada tapa esté instalada y quede plana sobre el cabezal correcto.

NOTA

Después de instalar los quemadores verifique que funcionen correctamente. La instalación incorrecta de algún componente causará una ignición deficiente o una irregularidad de las llamas, como se muestra en las imágenes de la derecha. Si la llama del quemador es irregular y amarilla en exceso, apague el quemador inmediatamente y déjelo enfriar. Recoloque las tapas de los quemadores y trate de volver a encender el quemador. Una buena llama es totalmente azul y regular alrededor del quemador.

Cuidado y mantenimiento - horno

Cuidado y limpieza del horno

ADVERTENCIA

Asegúrese de que la energía eléctrica esté desconectada y todas las superficies estén frías antes de limpiar cualquier parte del artefacto.

Limpieza de las partes pintadas y las terminaciones decorativas

- Para su limpieza general, utilice un paño con agua jabonosa caliente.
- Para residuos más resistentes o grasa acumulada, aplique un detergente líquido directamente sobre el área y espere de 30 a 60 minutos. Limpie con un paño húmedo y luego seque. No utilice materiales o sustancias abrasivas sobre ninguna superficie del horno. Pueden resultar con rayaduras.

Limpieza de superficies de acero inoxidable

1. Agite bien un envase del producto limpiador de electrodomésticos de acero inoxidable o de líquido de pulir.
2. Coloque una pequeña cantidad de producto limpiador de electrodomésticos de acero inoxidable o de líquido de pulir sobre un paño húmedo o sobre una toalla de papel húmeda.
3. Limpie un área pequeña, frotando en la dirección del grano del acero inoxidable, si fuese el caso.
4. Seque y lustre con una toalla de papel seca y limpia o un paño húmedo.

NOTA

Algunas toallas de papel pueden rayar el acero inoxidable; antes de utilizarlas, haga la prueba en una parte poco visible.

5. Repita en la medida de lo necesario.

NOTA

- No use una esponja de lana de acero. Rayará la superficie.
- Si anteriormente el electrodoméstico fue limpiado utilizando un producto a base de aceite mineral, lave la superficie con líquido lavavajilla y agua antes de utilizar producto limpiador de electrodomésticos de acero inoxidable o de líquido de pulir.

Filtro de convección

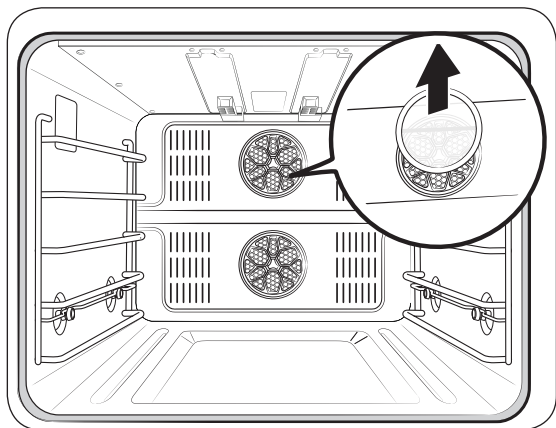
Los filtros de convección están ubicados en la parte posterior de cada cámara del horno.

Límpielos regularmente. Si deja que se obstruyan, los modos de cocción por convección del horno no funcionarán adecuadamente.

NOTA

Por razones de seguridad y de rendimiento del horno, vuelva a instalar los filtros de convección antes de cocinar.

Remoción del filtro de convección del horno

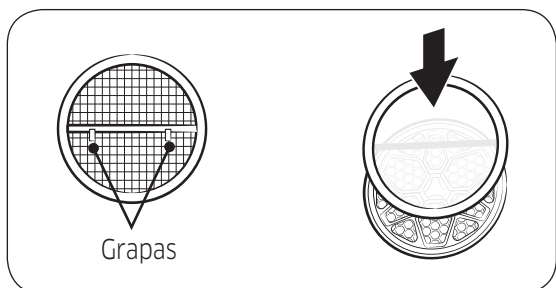


Con el horno frío, coloque los dedos alrededor de los bordes del filtro y empuje suavemente hacia arriba.

Para limpiar el filtro

Sumerja el filtro en agua caliente y jabonosa y enjuáguelo bien. También puede limpiarlo en el estante superior de la lavavajillas. Seque el filtro antes de volver a instalarlo.

Instalación del filtro de convección del horno



Enganche con cuidado las grapas de metal de la parte posterior del filtro en la barra metálica que rodea el orificio del ventilador. Asegúrese de que esté centrado sobre el orificio. Tenga cuidado de no rayar las superficies de porcelana con la parte posterior del filtro.

Cuidado y mantenimiento - horno

Rejillas del horno

- Se recomienda retirar las parrillas, pero si se dejan en el horno durante un ciclo de autolimpieza, su color virará a tonos azulados y se volverán opacas. Una vez finalizado el ciclo de autolimpieza y que se haya enfriado el horno, frote las barras laterales de las parrillas con un papel encerado o con un paño humedecido con una pequeña cantidad de aceite. Esto permitirá que las parrillas se deslicen más fácilmente en sus carriles.
- Las rejillas deslizantes pueden limpiarse a mano con un limpiador abrasivo o lana de acero. Durante la limpieza, tenga cuidado de que no entre agua o limpiador en los deslizadores a los costados de la rejilla.

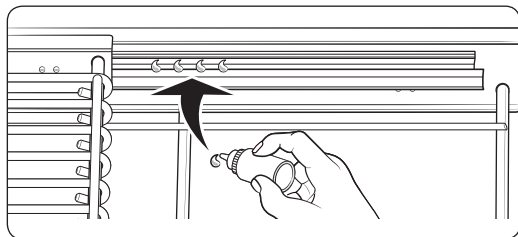
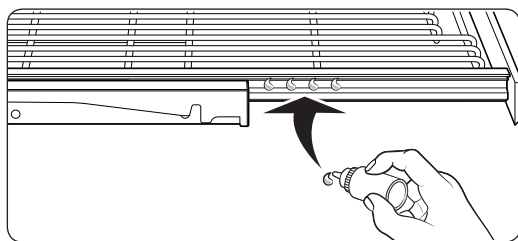
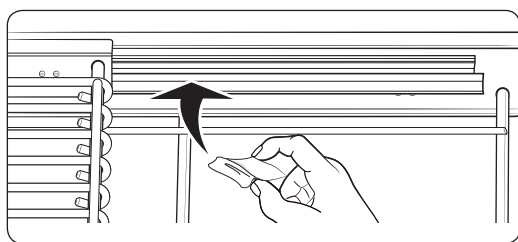
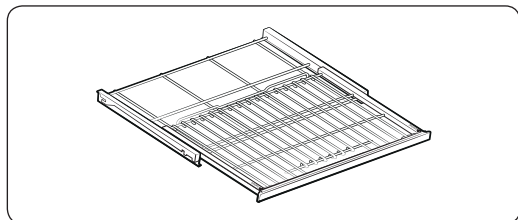
NOTA

- No limpie las rejillas del horno en una lavavajillas.
- Si se hace difícil retirar o colocar la rejilla, aplique una pequeña cantidad de aceite de cocina en las guías de las rejillas del horno. No pase aceite de cocina en los deslizadores.
- Si se torna difícil deslizar la rejilla, puede ser necesario lubricarla usando lubricante de grafito.

NOTA

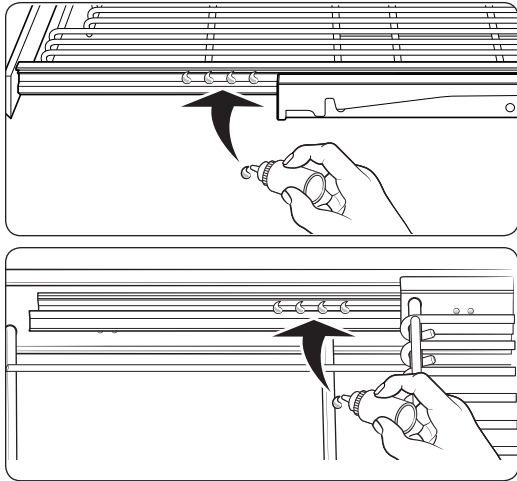
- El lubricante de grafito (113614) está disponible para la venta minorista. Verifique que el lubricante cuente con la aprobación de la FDA.

Para lubricar los deslizadores de la rejilla deslizable



1. Quite la rejilla del horno. Consulte cómo retirar la parrilla deslizable en la sección **Uso de la rejilla deslizable** en la página 49.
2. Extienda totalmente la rejilla sobre una mesa o mostrador. Se puede colocar periódico debajo de la rejilla para una limpieza fácil.
3. Si hay suciedad en los carriles de deslizamiento, límpiela con una toalla de papel. (Reemplace todo el lubricante de grafito limpiado - Consulte los pasos 4 hasta 7.)
4. Agite el lubricante de grafito antes de abrirlo. Empezando con el mecanismo de deslizamiento de la izquierda (parte frontal y trasera) de la rejilla, coloque cuatro (4) gotas pequeñas de lubricante en las dos (2) guías inferiores del deslizador cerca de las correderas de rodamiento.

Cuidado y mantenimiento - horno



5. Repita para el mecanismo de deslizamiento derecho (parte frontal y trasera) de la rejilla.
6. Abra y cierre la rejilla varias veces para distribuir el lubricante.
7. Vuelva a colocar la tapa del lubricante y agítelo nuevamente. Dé la vuelta a la rejilla y repita los pasos 3, 4, 5 y 6.
8. Cierre la parrilla, déle la vuelta con el lado correcto hacia arriba e instálela en el horno. Consulte **Instalación de la rejilla deslizante** en la página 49.

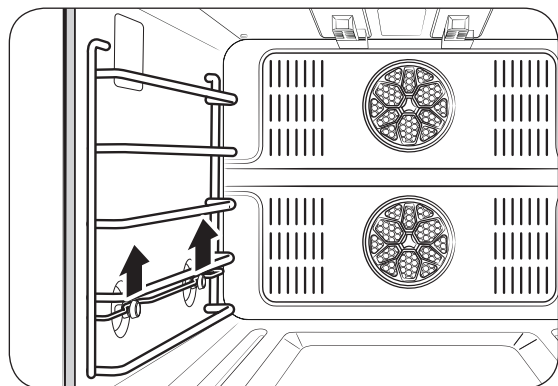
NOTA

No rocíe la rejilla deslizante con aceite vegetal u otro lubricante en aerosol.

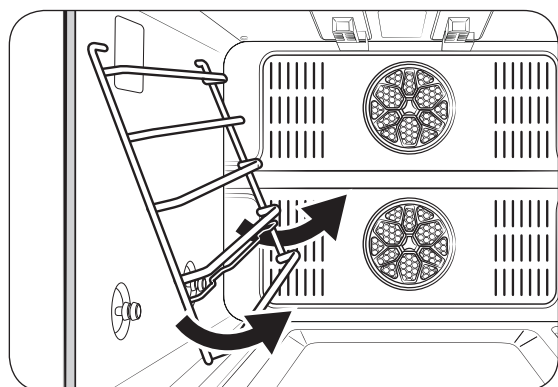
Soporte de las rejillas

Puede retirar el soporte de las rejillas para limpiarlo (Autolimpieza y limpieza manual).

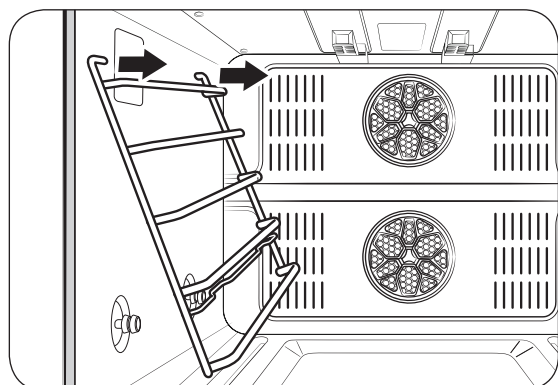
Retirar el soporte de las rejillas



1. Sujete el centro del alambre inferior, en la base del soporte, y levántelo.



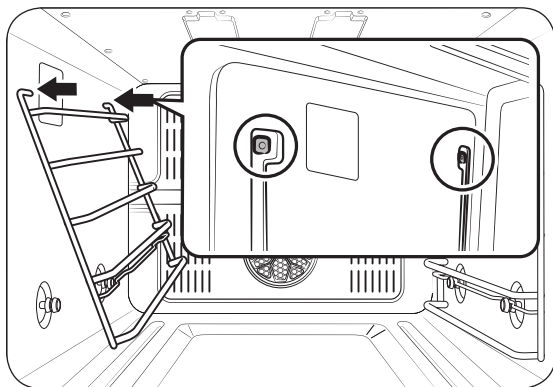
2. Incline el soporte para rejillas aproximadamente 45°.



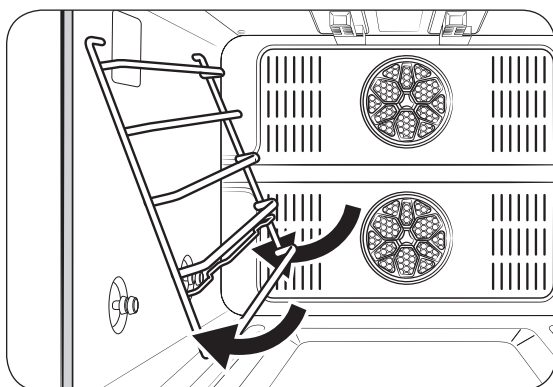
3. Jale y retire el soporte para rejillas de los dos orificios.

Cuidado y mantenimiento - horno

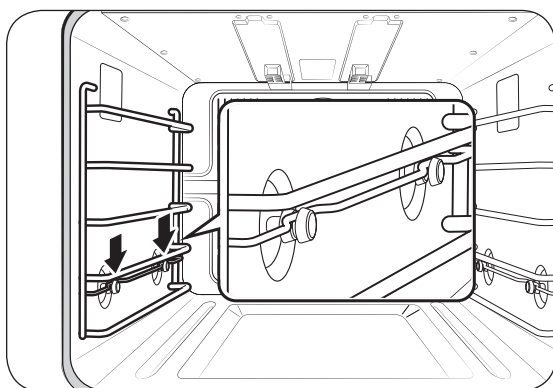
Coloque nuevamente los soportes de las rejillas



1. Inserte las puntas superiores del soporte de las rejillas en sus orificios respectivos en la pared del horno.

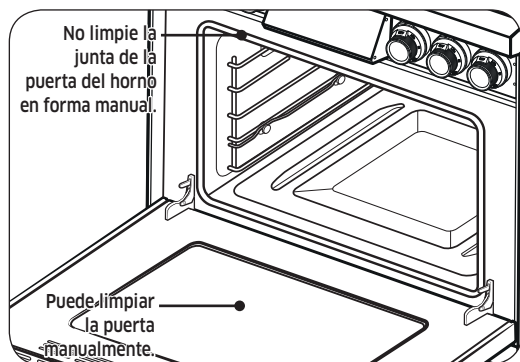


2. Tomando el alambre inferior, gire suavemente el soporte para rejillas hacia la pared del horno.



3. Eleve la rejilla y empujela hacia adentro de modo que el cable de sujeción quede entre las perillas sobre las clavijas de sujeción. (Observe la ilustración de la izquierda).

Puerta del horno



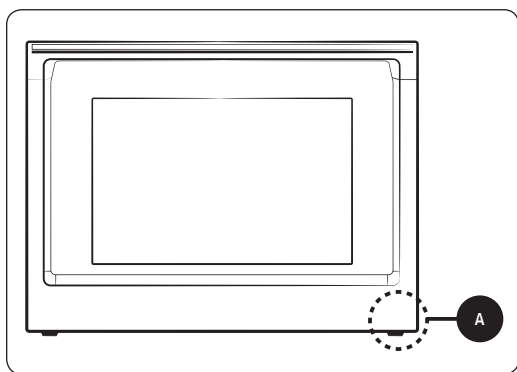
- Utilice agua y jabón para limpiar a fondo la parte superior, los lados y el frente de la puerta del horno. Enjuague bien. Se puede utilizar un líquido limpiavidrios sobre la cara exterior de la ventana de la puerta del horno. **NO sumerja la puerta en agua. NO rocíe ni permita que agua ni líquido limpiavidrios penetre en los orificios de ventilación de la puerta.** NO utilice productos para limpiar hornos, polvos de pulir, ni ningún material de limpieza fuertemente abrasivo sobre el exterior de la puerta del horno.
- **NO limpie la junta selladora de la puerta del horno.** La junta selladora de la puerta del horno está confeccionada con un material tejido que es esencial para un cierre bien sellado. Se debe tener cuidado de no frotar, dañar o retirar la junta.

Cuidado y mantenimiento - horno

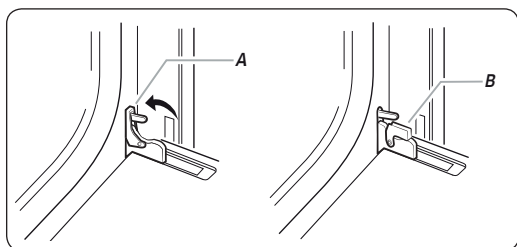
Cómo retirar las puertas del horno

⚠ PRECAUCIÓN

- La puerta es muy pesada. Tenga cuidado al retirarla y levantarla.
- No levante la puerta por la manija.
Retire la puerta del horno con las dos manos.



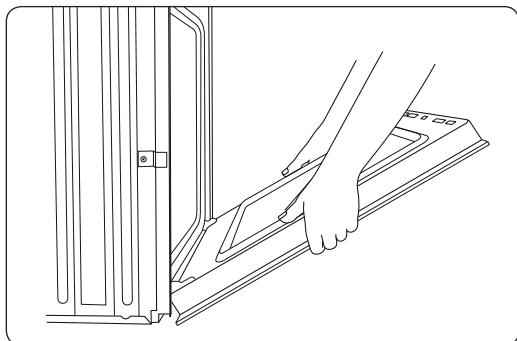
A. Arnés de cables



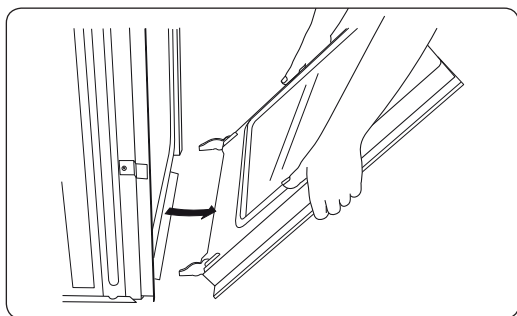
- A. Traba de la bisagra de la puerta del horno en posición trabada
- B. Traba de la bisagra de la puerta del horno en posición destrabada

1. Antes de retirar la puerta del horno, prepare la superficie donde lo colocará. Esta superficie debe ser plana y recubierta de una manta suave. También puede utilizar los postes de esquina del material de empaque.

2. Abra la puerta del horno.
3. En los ángulo inferiores de la puerta, abra las trabas de las bisagras por completo para destrabarlas, de lo contrario, no podrá extraer la puerta del horno.



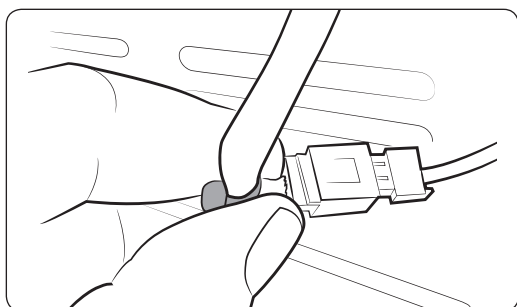
4. Cierre parcialmente la puerta para enganchar las trabas de las bisagras de la puerta. La puerta se detiene en ese punto.



5. Tome ambos lados de la puerta debajo de la manija y levante la puerta levemente para exponer el cableado de la base.

 **NOTA**

Debe desconectar el arnés de cables de la luz LED. Coloque la puerta cerca de la estufa con cuidado de que no se caiga. El vidrio de la puerta es frágil.



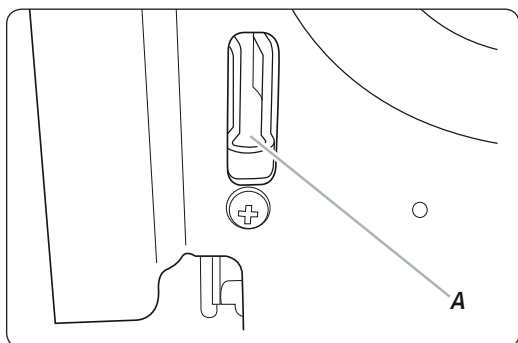
6. Desconecte el arnés de cables de la luz LED de la parte inferior derecha de la puerta.
7. Deje la puerta del horno sobre la superficie de trabajo cubierta por una manta, con la manija en la parte de abajo.

Cuidado y mantenimiento - horno

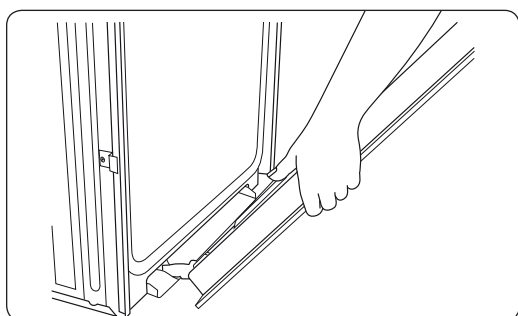
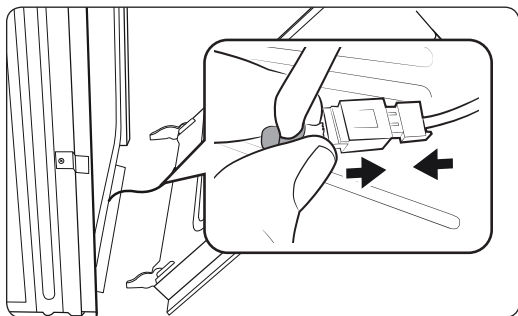
Colocar nuevamente las puertas del horno

⚠ PRECAUCIÓN

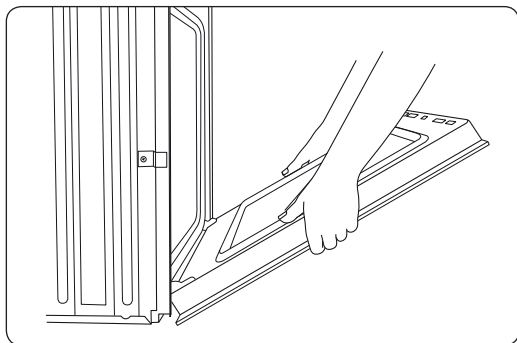
La puerta es muy pesada. Es posible que necesite ayuda para levantarla a una altura suficiente que permita encajarla en las ranuras de las bisagras. No levante la puerta por la manija.



A. Ranura de la cavidad del horno para la traba de la bisagra de la puerta



1. Sujete con las dos manos los bordes de la puerta del horno en su punto medio. Colóquese frente a la cavidad del horno.
2. Coloque la puerta cerca del producto. Conecte el arnés de cables de la luz LED.
3. Busque las ranuras de cada lado de la cavidad del horno destinadas a las trabas de las bisagras de la puerta.
4. Sujete la puerta formando un ángulo de 45° y luego alinee las bisagras de la puerta con las ranuras de la parte frontal inferior de la cavidad del horno. Inserte con cuidado la puerta, asegurándose de mantener el ángulo de 45°. Sabrá que la puerta ha encajado en la ranura cuando note un ligero descenso.



5. Abra la puerta por completo. Si la puerta no abre 90°, vuelva a repetir los pasos 1 a 4.
6. En los ángulos inferiores de la puerta, lleve las trabas de las bisagras hacia adelante para trabarlas. Consulte el paso 3 (ilustración A) en la sección "Cómo retirar las puertas del horno" para la correcta posición trabada.
7. Cierre la puerta del horno.

 **NOTA**

Cuando las bisagras están instaladas correctamente y la puerta está cerrada, debe quedar una abertura regular entre la puerta y el panel de control. Si un lado de la puerta del horno está más bajo que el otro, la bisagra de ese lado no está bien instalada.

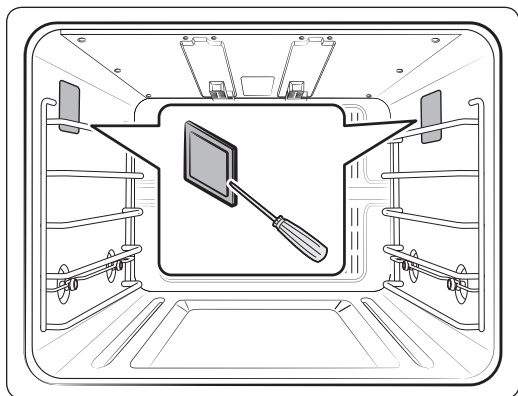
Cuidado y mantenimiento - horno

Recambio de la luz del horno

La luz del horno es una bombilla halógena estándar de 40 vatios para electrodomésticos. Se enciende cuando se abre la puerta del horno. Cuando la puerta del horno se encuentre cerrada, toque **LIGHT (LUZ)** para encender o apagar la luz. No funcionará durante el ciclo de autolimpieza.

PRECAUCIÓN

Antes de cambiar la luz de su horno, desconecte la alimentación de electricidad al horno en el fusible principal o en el panel del disyuntor. Asegúrese de que el horno y la bombilla halógena se encuentren fríos.



1. Abra la puerta del horno y retire las rejillas.
2. La lámpara del horno está a ambos lados de la cavidad del horno. Sostenga el extremo inferior de la tapa de la luz con una mano y use una herramienta plana afilada como un cuchillo de mesa para retirar la tapa.
3. Retire la lámpara de la luz del horno.
4. Después de colocarla nuevamente, instale la cubierta de la luz del horno.

NOTA

Use guantes de goma para manipular lámparas halógenas. El aceite para manos acorta la vida útil de las lámparas halógenas.

5. Al finalizar, coloque nuevamente la cubierta de vidrio y coloque nuevamente los soportes de las rejillas.

Resolución de problemas

Si se encuentra con problemas inesperados, como primera medida busque la solución en las siguientes tablas. Si aún experimenta problemas luego de intentar las soluciones sugeridas, comuníquese con 833-35-ELITE (833-353-5483).

Seguridad del gas

Problema	Causa posible	Acción
Hay olor a gas.	La perilla del quemador superior no está en posición OFF y el quemador no está encendido.	Gire la perilla del quemador a OFF .
	Hay una fuga de gas.	<ul style="list-style-type: none">Haga salir a todos los ocupantes de la habitación, el edificio o el área.Llame inmediatamente al proveedor de gas desde el teléfono de un vecino; su propio teléfono podría causar una chispa que podría prender fuego el gas; siga las instrucciones del proveedor de gas.Si no puede comunicarse con el proveedor de gas, llame al departamento de bomberos.

Quemadores superiores

Problema	Causas posibles	Acción
Los quemadores no encienden	La placa de cocción está desenchufada.	Asegúrese de que el cable de alimentación se encuentre enchufado en un tomacorriente alimentado con corriente y conectado a tierra.
	Puede haberse quemado un fusible; puede haberse disparado el disyuntor.	Reemplace el fusible o reinicie el disyuntor.
	El suministro de gas no está correctamente conectado o encendido.	Consulte las instrucciones de instalación de la placa de cocción. Solicite a un técnico calificado que conecte/encienda el suministro de gas.

Resolución de problemas

Problema	Causas posibles	Acción
Los quemadores superiores no se encienden. Pero el gas y la electricidad se suministran adecuadamente.	La perilla de control no se reguló correctamente.	Empuje la perilla de control y gírela hasta la posición Lite (Encender).
	<ul style="list-style-type: none"> Las tapas de los quemadores no están en su lugar. La base del quemador está mal alineada. 	<ul style="list-style-type: none"> Limpie los electrodos. Coloque la tapa del quemador sobre el cabezal. Alinee la base del quemador.
Un quemador superior hace un clic durante el funcionamiento.	La perilla de control se dejó en la posición Lite (Encender).	Una vez encendido el quemador, gire la perilla de control hasta la posición deseada; si el quemador sigue haciendo clic, llame a un técnico de servicio.
Los quemadores no queman en forma pareja.	Los componentes de los quemadores no están colocados correctamente.	Consulte las páginas 79 .
	Los quemadores están sucios.	<ul style="list-style-type: none"> Limpie los componentes de los quemadores. Consulte las páginas 76, 77, 78.
Las llamas de los quemadores superiores son muy grandes o amarillas.	Se instaló un orificio de tamaño incorrecto.	Verifique el tamaño del orificio del quemador y comuníquese con su instalador si el orificio es incorrecto (gas LP en lugar de gas natural o viceversa).

Pantalla de control

Problema	Causa posible	Solución
La pantalla queda en blanco.	Puede haberse quemado un fusible en su casa o haberse disparado el disyuntor.	Reemplace el fusible o reinicie el disyuntor.
Los controles táctiles no responden al tocarlos	Hay alguna sustancia extraña entre los botones	Retire la sustancia extraña y vuelva a intentarlo.
	Existe humedad en el exterior	Elimine la humedad y vuelva a intentarlo.
	La función de traba está activada	Revise si la función de traba está activada.

Horno

Problema	Causa posible	Solución
El horno no se enciende.	El horno no está bien enchufado al tomacorriente.	Asegúrese de que el enchufe se encuentre insertado en un tomacorriente alimentado con corriente y bien conectado a tierra.
	Puede haberse quemado un fusible en su casa o haberse disparado un disyuntor.	Reemplace el fusible o reinicie el disyuntor.
	El horno todavía está demasiado caliente por un uso anterior.	Espere a que el horno se enfríe.
	El servicio técnico no completó la conexión de cables.	Solicite servicio técnico.
	Hay un corte de energía en su localidad.	Controle si se encienden las luces de su casa. De ser necesario, llame a su compañía de electricidad local.
No se enciende la luz del horno.	La luz está floja o fallada.	Ajuste o reemplace la lámpara. Solicite servicio técnico si la luz de la puerta no se enciende.
	El interruptor de la luz está roto.	Solicite servicio técnico.
El horno emite demasiado humo cuando se asa a la parrilla.	La carne fue colocada demasiado próxima al elemento.	Baje la rejilla del horno. Si desea sellar la carne, precaliente el elemento radiante.
	La carne no fue preparada correctamente.	Quite el exceso de grasa de la carne. Corte y retire los bordes grasos que podrían retorcerse, dejando intacto la carne magra.
	Hay acumulación de grasa sobre las superficies del horno.	Ejecute un ciclo de autolimpieza; limpie el horno con frecuencia para evitar la acumulación de grasa.
Los alimentos no se hornean o asan como es debido.	La rejilla del horno fue colocada en una posición incorrecta o no se encuentra nivelada.	Consulte la sección Uso de las rejillas del horno en la página 46.
	La temperatura del horno se configuró de manera inadecuada.	Consulte Temperatura en la sección de ajustes en la página 70.

Resolución de problemas

Problema	Causa posible	Solución
Los alimentos no se asan a la parrilla correctamente.	El tamaño de la porción puede no ser el adecuado.	Consulte Guía de recomendaciones para asar a la parrilla para el tamaño de las porciones en la página 51 y vuelva a intentarlo.
	La rejilla fue colocada en una posición incorrecta.	Consulte la Guía de recomendaciones para asar a la parrilla en la página 51.
	El recipiente no es adecuado para asar a la parrilla.	Utilice utensilios de cocción adecuados.
	En algunas áreas, el potencial eléctrico (voltaje) puede estar demasiado bajo.	Precalente durante diez minutos el elemento radiante para asar a la parrilla. Consulte la Guía de recomendaciones para asar a la parrilla en la página 51.
El horno está a temperatura demasiado alta o demasiado baja.	La temperatura del horno requiere ajuste.	Consulte Temperatura en la sección de ajustes en la página 70.
Gotea agua.	Es posible que en algunos casos vea agua o vapor en el alimento que está cocinando.	Deje enfriar el horno y elimine el agua con una toalla seca. No es un defecto del producto.
Sale vapor a través de la grieta existente entre el cuerpo del horno y la puerta.		
Queda agua en el horno.		
El horno no ejecuta el proceso de autolimpieza.	La temperatura del horno es demasiado alta como para iniciar una operación de autolimpieza.	Deje que el horno se enfríe y, luego, restablezca los controles.
	Los controles del horno se han configurado incorrectamente.	Consulte la sección Autolimpieza en la página 61.
	No se puede iniciar un ciclo de autolimpieza si la función de traba del horno está activada.	Desactive Seguro para niños del horno (consulte la página 68).

Problema	Causa posible	Solución
Humo excesivo durante un ciclo de autolimpieza.	El horno se encuentra demasiado sucio.	Presione OFF . Abra las ventanas para que el humo salga del ambiente. Espere hasta que el ciclo de autolimpieza se cancele. Limpie toda la suciedad excesiva y luego inicie el ciclo de autolimpieza.
Después de un ciclo de autolimpieza la puerta del horno, no se abre.	El horno está demasiado caliente.	Cuando el horno se enfríe lo suficiente, la traba automática de la puerta se liberará y podrá abrir la puerta.
Cumplido un ciclo de autolimpieza, el horno aún no está limpio.	Los controles del horno no se han configurado correctamente.	Consulte la sección Autolimpieza en la página 61 .
	El horno tenía suciedad pesada.	Limpie los derrames pesados antes de iniciar el ciclo de autolimpieza. Cuando el horno está muy sucio, puede ser necesario repetir la autolimpieza o darle una duración mayor.
Sale vapor por la abertura de ventilación.	Cuando se usa la función de convección, es normal ver salir vapor por la abertura de ventilación.	Este funcionamiento es normal y no se debe a una falla del sistema. Use el horno como siempre.
	La cantidad de vapor visible aumenta cuando se usan más rejillas o se cocina mayor cantidad de alimento.	
Sale olor a quemado o a aceite de la abertura de ventilación.	Esto es normal cuando el horno es nuevo y desaparecerá con el tiempo.	Para acelerar este proceso, programe un ciclo de autolimpieza de por lo menos 3 horas. Consulte la sección Autolimpieza en la página 61 .
Olor fuerte.	Las primeras veces que se usa el horno, es normal que emane olor del material aislante que envuelve al horno.	Opere el horno vacío en el ajuste de horneado a 400 °F durante una hora.
Ruido del ventilador.	Un ventilador de convección puede encenderse y apagarse automáticamente.	Esto es normal.

Resolución de problemas

Problema	Causa posible	Solución
Resulta difícil deslizar las rejillas del horno.	Las rejillas plateadas quedaron dentro del horno durante un ciclo de autolimpieza.	Aplique una pequeña cantidad de aceite vegetal sobre una toalla de papel y, luego, frote con ella los lados de las rejillas.
La puerta del horno está trabada.	Se ha disparado el disyuntor o se produjo un corte de electricidad cuando la puerta estaba trabada.	Active la traba de controles y desbloquee el control. Consulte la sección Seguro para niños en la página 68 .

Códigos de información

Horno

Código mostrado	Causa posible	Solución
C-d0	Este código se muestra si en la tecla de control hay un cortocircuito durante 1 minuto.	Limpie los botones y asegúrese de que no quede agua sobre ellos ni alrededor. Apague el horno y vuelva a intentarlo. Si el problema persiste, comuníquese con un centro de servicio local de Dacor.
C-d1	Este código se muestra si el bloqueo de la puerta está mal colocado.	Presione OFF y reinicie el horno. Si el problema persiste, desconecte toda alimentación eléctrica al horno durante por lo menos 30 segundos y, luego, reconecte la alimentación eléctrica. Si esto no soluciona el problema, llame al servicio de reparaciones.
C-F0	Este código se muestra si se interrumpe la comunicación entre el PBA principal y el secundario.	
C-F2	Este código se muestra si se interrumpe la comunicación entre el principal y el táctil.	
C-20	El sensor del horno está abierto cuando el horno está funcionando.	Reinicie el artefacto.
	Hay un cortocircuito en el sensor del horno cuando el horno está funcionando.	
C-21	Este código se muestra si la temperatura interna es anormalmente alta.	

Código mostrado	Causa posible	Solución
C-22	El sensor sub PCB está abierto cuando el horno está funcionando.	Gire las perillas selectoras de modo y temperatura a la posición OFF y luego reinicie el horno. Si el problema persiste, desconecte toda alimentación al horno durante por lo menos 30 segundos y vuelva a conectarla. Si esto no soluciona el problema, llame al servicio de reparaciones.
	El sensor sub PCB está en cortocircuito cuando el horno está funcionando.	
C-23	El sensor de la sonda de temperatura está cortocircuitado cuando el horno está funcionando.	Presione OFF y reinicie el horno. Si el problema persiste, desconecte toda alimentación eléctrica al horno durante por lo menos 30 segundos y, luego, reconecte la alimentación eléctrica. Si esto no soluciona el problema, llame al servicio de reparaciones.
C-30	El sensor PCB está abierto cuando el horno está funcionando.	Solicite servicio técnico
	El sensor PCB está cortocircuitado cuando el horno está funcionando.	
C-31	Este código se muestra si la temperatura de PCB es anormalmente alta.	Solicite servicio técnico.
C-A2	El motor de enfriamiento no funciona con normalidad.	Solicite servicio técnico.

Garantía y servicio técnico

Garantía

Lo que esta garantía cubre

CERTIFICADO DE GARANTÍAS: ESTUFAS DACOR

DENTRO DE LOS CINCUENTA ESTADOS DE EE. UU., EL DISTRITO DE COLUMBIA Y CANADÁ:

GARANTÍA POR 2 AÑOS COMPLETOS

Esta garantía solo se aplica a los dispositivos Dacor vendidos al primer usuario, a partir de la fecha del comprobante de la compra minorista original o la fecha de cierre para la nueva construcción, el periodo que sea más largo. Esta garantía es válida para productos comprados nuevos a un distribuidor autorizado de Dacor u otro vendedor autorizado por Dacor.

En caso de que su producto Dacor no funcione dentro de un año a partir de la fecha original de compra, debido a un defecto de material o mano de obra, Dacor le ofrecerá una solución sin ningún costo para usted.

Todos los daños cosméticos (como rayaduras en acero inoxidable, manchas en pintura o porcelana, etc.) al producto o accesorios incluidos deben reportarse a Dacor en el transcurso de 60 días a partir de la fecha original de compra para poder optar a la cobertura de garantía. Excepto en los casos indicados anteriormente, las partes consumibles como filtros y lámparas no están incluidas y son responsabilidad del comprador.

LIMITACIONES DE LA GARANTÍA

El servicio será prestado por una compañía de servicio designada por Dacor durante el horario de atención habitual. Tenga presente que los proveedores de servicio son entidades independientes, y no representantes de Dacor.

Los productos de exhibición hogareños tipo y de exhibición en distribuidores con más de 5 años de antigüedad, los productos vendidos "tal como están" y los productos instalados para uso no residencial, que incluyen aunque no de modo taxativo, organizaciones religiosas, estaciones de bomberos, pensiones y spas solo cuentan con una garantía de un año sobre las piezas. Todo gasto de entrega, instalación, mano de obra y demás tarifas de servicio son responsabilidad del comprador.

La garantía se invalidará siempre que falten los números de serie y etiquetas del producto o se hayan alterado o desfigurado.

El propietario debe presentar comprobante de compra o estado final para nueva construcción cuando se le solicite. Todos los productos Dacor deben encontrarse en lugares accesibles para recibir el servicio.

La garantía pierde validez si se transporta un producto que no está homologado por ETL o CUL desde Estados Unidos.

FUERA DE LOS CINCUENTA ESTADOS DE EE. UU., EL DISTRITO DE COLUMBIA Y CANADÁ:

GARANTÍA LIMITADA A LOS 2 AÑOS

En caso de que su producto Dacor no funcione dentro de los dos años a partir de la fecha original de compra debido a un defecto de material o mano de obra, Dacor otorgará una pieza nueva, FOB a fábrica, para reemplazar la pieza defectuosa.

Todo gasto de entrega, instalación, mano de obra y demás tarifas de servicio son responsabilidad del comprador.

Lo que esta garantía no cubre

- Es posible que se observen pequeñas variaciones de color en piezas pintadas, iluminación de la cocina, colocación de la cocina y otros factores; esta garantía no aplica a variaciones en color.
- Llamadas de servicio para enseñar al cliente el uso y cuidado adecuado del producto.
- Tarifas de servicio por viajes a islas y áreas remotas, que incluyen pero no de modo taxativo, ferris, peajes u otros gastos de viaje.
- Daños resultantes o fortuitos, incluidos aunque no de modo taxativo, pérdida de alimentos o medicamentos, tiempo fuera del trabajo o comidas en restaurantes.
- Mal funcionamiento del producto cuando su uso es comercial, empresarial, para alquiler u otra aplicación distinta al uso residencial.
- Mal funcionamiento del producto ocasionado por una instalación inadecuada.
- Reemplazo de fusibles hogareños, cajas de fusibles o recolocación de disyuntores.
- Daños al producto ocasionados por accidente, incendio, inundación, corte de energía, sobretensión u otros casos fortuitos.
- Responsabilidad por daño a objetos lindantes, incluidos gabinetes, pisos, techos y demás estructuras u objetos que se encuentren alrededor del producto.
- Rotura, decoloración, daño al cristal, superficies metálicas, componentes de plástico, bordes, pintura u otros acabados cosméticos ocasionados por uso o cuidado inadecuado, abuso o negligencia.

Fuera de la garantía

En caso de que experimente un problema de servicio luego del período de vigencia estándar de la garantía, comuníquese con nosotros. Dacor revisa cada problema e inquietud del cliente para ofrecer la mejor solución posible en base a las circunstancias.

Garantía y servicio técnico

LOS RECURSOS PROVISTOS EN LAS ANTERIORES GARANTÍAS EXPRESAS SON LOS ÚNICOS RECURSOS EXIGIBLES. POR LO TANTO, NO SE OFRECE NINGUNA OTRA GARANTÍA EXPRESA, Y FUERA DE LOS CINCUENTA ESTADOS DE ESTADOS UNIDOS, EL DISTRITO DE COLUMBIA Y CANADÁ, TODAS LAS GARANTÍAS IMPLÍCITAS, INCLUIDAS AUNQUE NO DE MODO TAXATIVO, CUALQUIER GARANTÍA IMPLÍCITA DE COMERCIALIZACIÓN E IDONEIDAD PARA UN USO O PROPÓSITO EN PARTICULAR, SE LIMITAN A UN AÑO A PARTIR DE LA FECHA ORIGINAL DE COMPRA. EN NINGÚN CASO, DACOR SERÁ RESPONSABLE DE GASTOS IMPREVISTOS O DAÑOS RESULTANTES. EN CASO DE QUE DACOR SE IMPONGA EN CUALQUIER DEMANDA, DACOR TENDRÁ DERECHO AL REEMBOLSO DE TODOS LOS COSTOS Y GASTOS, INCLUIDOS HONORARIOS DE ABOGADOS, POR PARTE DEL CLIENTE DE DACOR. NO SE OFRECE NINGUNA GARANTÍA, YA SEA EXPRESA O IMPLÍCITA, A NINGÚN COMPRADOR PARA REVENTA.

Algunos estados no permiten limitaciones en cuanto a la duración de las garantías implícitas, o no permiten la exclusión o limitación de daños no resultantes, por lo tanto, es posible que las limitaciones y exclusiones anteriores no se apliquen a usted. Esta garantía le otorga derechos legales específicos, y es posible que también tenga otros derechos que varíen según el estado.

Anuncio de código abierto

El software incluido en este producto contiene software de código abierto. Puede obtener el código fuente correspondiente completo por un período de tres años a partir del último envío de este producto mandando un correo electrónico a <mailto:oss.request@samsung.com>.

También es posible obtener el código fuente correspondiente completo en un medio físico, tal como un CD-ROM; se exigirá un cargo mínimo.

El siguiente URL http://opensource.samsung.com/opensource/OVEN_HKM_TZ/seq/0 lleva a la página de descarga del código fuente puesto a disposición del usuario y la información de la licencia del código fuente relacionada con este producto. Esta oferta es válida para toda persona que reciba esta información.





Estimado cliente:

Gracias por adquirir Dacor. Esperamos que nuestros productos intensifiquen su pasión por cocinar.

Esta caja contiene un conjunto de tapas de latón para los quemadores, diseñadas para dar un aspecto elegante a su nuevo producto Dacor. Pueden utilizarse para cocinar, pero deberá tener en cuenta que con el uso sufren alteraciones de color. Esto es debido a una reacción natural del latón cuando entra en contacto con las llamas de gas. Hemos incluido también un conjunto de tapas de porcelana negra para que las utilice si le preocupa esta decoloración. Nuestra garantía no cubre la alteración del color de las tapas de los quemadores, pero puede pedirnos otras nuevas si es necesario.

Esperamos sinceramente que disfrute cocinando con Dacor durante muchos años. Si necesita ayuda, comuníquese con nuestro equipo al 833-35-ELITE (833-353-5483), extensión 2813.

Atentamente,

The Dacor Customer Service Team

NOTAS

NOTAS



Visite www.dacor.com para activar su garantía en línea.

INFORMACIÓN SOBRE LA GARANTÍA



IMPORTANTE:

Su garantía no se hará efectiva hasta que no la active en línea o devuelva este formulario a Dacor. Si ha comprado más de un producto Dacor, devuelva todos los formularios en el mismo sobre o active la garantía para cada producto en línea.

Tenga por seguro que bajo ningún concepto Dacor venderá su nombre ni ninguno de los datos que figuran en este formulario con fines de inclusión en listas de correos. Le agradecemos mucho que haya decidido comprar productos Dacor para su hogar y no consideramos que la venta de dicha información sea una forma correcta de expresar nuestra gratitud.

Nombre del propietario:

Calle: _____
Apellido (Escriba a máquina o con letra de imprenta) _____ Nombre _____ Segundo nombre _____

Ciudad: _____ Estado: _____ Código postal: _____

Fecha de compra: _____ Email: _____ Teléfono: _____

Distribuidor: _____

Ciudad: _____ Estado: _____ Código postal: _____

Le agradeceremos sinceramente que dedique unos segundos a rellenar esta sección. Gracias.

1. ¿Cuál fue su primer contacto con los productos Dacor? (Marque solo uno.)

- | | |
|---|---|
| <input type="checkbox"/> A. Televisión Programa culinario | <input type="checkbox"/> F. Constructor |
| <input type="checkbox"/> B. Revista | <input type="checkbox"/> G. Arquitecto/Diseñador |
| <input type="checkbox"/> C. Exposición del distribuidor | <input type="checkbox"/> H. Otro propietario de Dacor |
| <input type="checkbox"/> D. Exposición de distribuidor de cocinas | <input type="checkbox"/> I. Casa modelo |
| <input type="checkbox"/> E. Exposición del hogar | <input type="checkbox"/> J. Otro _____ |

2. ¿Dónde adquirió sus electrodomésticos Dacor?

- | | |
|---|---|
| <input type="checkbox"/> A. Distribuidor de electrodomésticos | <input type="checkbox"/> D. Constructor |
| <input type="checkbox"/> B. Distribuidor de cocinas | <input type="checkbox"/> E. Otro _____ |
| <input type="checkbox"/> C. Distribuidor del constructor | |

3. ¿Con qué objeto compró el producto?

- | | |
|--|--|
| <input type="checkbox"/> A. Solo para reemplazo | <input type="checkbox"/> C. Nueva casa |
| <input type="checkbox"/> B. Parte de una remodelación | <input type="checkbox"/> D. Otro _____ |

4. ¿Cuáles son sus ingresos familiares?

- | | |
|---|---|
| <input type="checkbox"/> A. Menos de \$75,000 | <input type="checkbox"/> D. \$150,000 - \$200,000 |
| <input type="checkbox"/> B. \$75,000 - \$100,000 | <input type="checkbox"/> E. \$200,000 - \$250,000 |
| <input type="checkbox"/> C. \$100,000 - \$150,000 | <input type="checkbox"/> F. Más de \$250,000 |

5. ¿Qué marcas de electrodomésticos tiene en su cocina?

- | | |
|---------------------------|-----------------------|
| A. Placa de cocción _____ | C. Lavavajillas _____ |
| B. Horno _____ | D. Refrigerador _____ |

6. ¿Compraría o recomendaría otro producto Dacor?

- | | |
|-----------------------------|-----------------------------|
| <input type="checkbox"/> Sí | <input type="checkbox"/> No |
|-----------------------------|-----------------------------|

Comentarios: _____

Le agradecemos mucho su ayuda. La información provista será extremadamente valiosa para ayudarnos a planificar el futuro y ofrecerle el soporte que merece.

Coloque aquí la etiqueta del número de serie

Sitio web: www.dacor.com

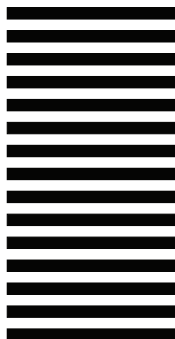
Teléfono: 833-35-ELITE (833-353-5483)

cortar aquí

cortar aquí



NO POSTAGE
NECESSARY
IF MAILED
IN THE
UNITED STATES



BUSINESS REPLY MAIL
FIRST-CLASS MAIL PERMIT NO 1600 CITY OF INDUSTRY CA

POSTAGE WILL BE PAID BY ADDRESSEE

DACOR
ATTN: WARRANTY PROCESSING DEPT
PO BOX 90070
CITY OF INDUSTRY, CA 91715-9907



fold here



DG68-01105C-02

dacor[®]

Dacor • 14425 Clark Avenue, City of Industry, CA 91745 • Teléfono: 833-35-ELITE (833-353-5483) • Fax: (626) 403-3130 • www.dacor.com



dacor[®]

Manuel d'utilisation

Cuisinière à gaz Modernist Pro

DOP36M96GL*

AVERTISSEMENT : le non-respect des consignes décrites dans ce manuel peut entraîner un incendie ou une explosion ainsi que des dommages matériels, des blessures, voire la mort.

- **NE LAISSEZ** en aucun cas d'essence ou d'autres produits inflammables à proximité de cet appareil.
- **SI VOUS SENTEZ UNE ODEUR DE GAZ** :
 - **N'ALLUMEZ PAS** un appareil quel qu'il soit.
 - **NE TOUCHEZ** aucun commutateur électrique.
 - **N'UTILISEZ PAS** de téléphone dans votre immeuble.
 - Appelez immédiatement votre fournisseur de gaz avec le téléphone d'un voisin et suivez les instructions de votre fournisseur. (Si vous ne parvenez pas à joindre votre fournisseur de gaz, appelez les pompiers.)
- L'installation et l'entretien doivent être effectués par un installateur qualifié, une agence de maintenance ou votre fournisseur de gaz.

DISPOSITIF ANTI-BASCULEMENT

▲ AVERTISSEMENT

Afin d'éviter tout risque de basculement de la cuisinière, fixez-la correctement à l'aide d'un dispositif anti-basculement. **APRÈS AVOIR INSTALLÉ LA CUISINIÈRE, VÉRIFIEZ QUE LE DISPOSITIF ANTI-BASCULEMENT EST BIEN INSTALLÉ ET FIXÉ.** Reportez-vous au manuel d'installation pour plus d'instructions.

- a) Si le dispositif anti-basculement n'est pas installé, un enfant ou un adulte peut faire basculer la cuisinière et être tué.
- b) Vérifiez que le dispositif anti-basculement ait été correctement installé et fixé sur la partie arrière droite (ou arrière gauche) du dessous de la cuisinière.

-
- c) Si vous déplacez la cuisinière puis la remettez en place, assurez-vous que le dispositif anti-basculement est refixé à l'arrière droit ou gauche du dessous de l'appareil.
- d) N'utilisez pas la cuisinière si le dispositif anti-basculement n'est pas en place et bien fixé.
Le non-respect de cette consigne peut entraîner des brûlures graves ou des blessures mortelles chez l'enfant et l'adulte.



⚠ AVERTISSEMENT

Ne marchez pas, ne vous appuyez pas et ne vous asseyez pas sur la porte du four de la cuisinière. L'appareil risquerait de basculer et de provoquer de graves blessures.

Confirmez que le dispositif anti-basculement est correctement installé. Puis, vérifiez que le dispositif anti-basculement est fixé, saisissez l'arrière de la cuisinière par le bord arrière et essayez de l'incliner vers l'avant avec précaution. Le dispositif anti-basculement empêche la cuisinière de basculer vers l'avant au-delà de quelques pouces.

Si vous devez, pour une quelconque raison, retirer la cuisinière du mur, assurez-vous de bien emboîter le dispositif anti-basculement lorsque vous remettez la cuisinière en place contre le mur. Si le dispositif n'a pas été correctement installé, la cuisinière risque de basculer et de provoquer des blessures si une personne ou un enfant marche, s'assoit ou s'appuie sur la porte ouverte.

Ne retirez jamais complètement les pieds de mise à niveau. Si vous retirez les pieds de mise à niveau, la cuisinière ne sera pas fixée correctement au dispositif anti-basculement.

Table des matières

Avant de commencer	7
Important	7
Conseils pour économiser de l'énergie	7
Ventilation du four/orifice de refroidissement	8
Informations relatives à la réglementation	9
Consignes de sécurité importantes	13
Présentation	23
Disposition	23
Affichage	24
Accessoires fournis	25
Utilisation de la table de cuisson	26
Brûleurs	26
Allumage	28
Récipient	30
Grilles	32
Anneau wok	33
Utilisation du four	34
Paramètres de base : horloge, date et heure, langue	34
Minuterie	35
Cuisson minutée	37
Cuisson différée	39
Fonctions du four	40
Réglage du mode	43
Réglage de la température	43
Instructions pour la cuisson traditionnelle et la cuisson au grill	44
Utilisation des grilles du four	46
Utilisation de la grille coulissante	49
Utilisation de la fonction mode spécial	52
Utilisation de la fonction Cuisson santé	55
Utilisation de la sonde de température	57
Utilisation de la fonction nettoyage	60
Utilisation de la fonction mode sabbat	64
Utilisation de la fonction iQ Control	66
Pour démarrer le four à distance	67
Verrouillage parental	68
Paramètres	69

Précautions d'entretien : table de cuisson	73
Nettoyage de la surface de la table de cuisson	73
Surfaces en acier inoxydable	74
Boutons de commande	75
Grilles et composants des brûleurs	76
Chapeaux et têtes des brûleurs	77
Bases des brûleurs	78
Électrodes	78
Remplacement des chapeaux et têtes des brûleurs	79
Précautions d'entretien : four	80
Entretien et nettoyage du four	80
Retrait des portes du four	88
Réinstallation de la porte du four	90
Remplacement de l'ampoule du four	92
Dépannage	93
Codes d'information	98
Garantie et assistance	100
Garantie	100
Annonce de source libre	103



À nos chers clients :

Merci d'avoir acheté le tout dernier de nos produits Dacor® ! Notre combinaison unique de fonctionnalités, style et performances offre un vrai plus à votre maison.

Pour vous familiariser avec les commandes, les fonctions et tout le potentiel de votre nouvelle cuisinière Dacor, lisez attentivement ce manuel en commençant par le chapitre **Avant de commencer** (page 7).

Les appareils Dacor sont conçus et fabriqués avec le plus grand soin et la plus grande fierté, tout en travaillant dans le respect des valeurs de notre société. En cas de problème avec votre cuisinière, commencez par consulter le chapitre **Dépannage** (pages 93 - 99), dans lequel vous trouverez des suggestions et des solutions qui peuvent être utiles avant d'appeler le service client.

Les retours précieux de nos clients nous permettent d'améliorer en permanence nos produits et services. N'hésitez donc pas à contacter notre équipe du service client pour obtenir de l'aide en cas de besoin d'assistance technique.

Service client Dacor

14425 Clark Avenue
City of Industry, CA 91745

Téléphone : 833-35-ELITE (833-353-5483) États-Unis, Canada

Télécopie : (626) 403-3130

Heures d'ouverture : Du lundi au vendredi de 05 h 00 à 17 h 00, heure du Pacifique

Site Internet : www.dacor.com/customer-care/contact-us

Informations sur le produit : knowledgebase.dacor.com

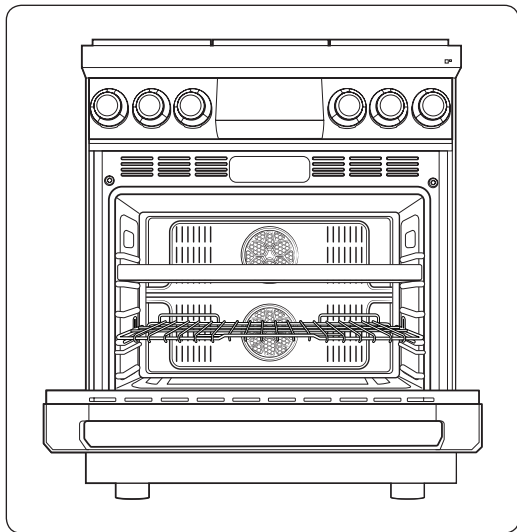
Merci d'avoir choisi Dacor pour votre maison. Nous sommes une société créée par des familles pour les familles et notre mission est d'être à votre service. Nous espérons que votre nouvelle cuisinière Dacor vous offrira un niveau de performances et de satisfaction optimal pendant des dizaines d'années.

Cordialement,

The Dacor Customer Assurance Team

Avant de commencer

Important



- L'aspect global et/ou les accessoires peuvent varier selon les modèles.

Installation

- Pour des raisons de sécurité et réduire l'apparition de problèmes, lisez attentivement ce manuel avant de procéder à l'installation de votre appareil. Ce manuel doit être en possession de l'utilisateur de l'appareil.
- Inscrivez le numéro de série/modèle de l'appareil sur le manuel à des fins de référence pour les opérations de service/maintenance.

Personnalisé

- Conservez ce manuel pour référence personnelle et pour celle des inspecteurs, personnel de service, etc.

Nettoyez soigneusement le four avant de l'utiliser pour la première fois. Ensuite, retirez les accessoires, lancez un cycle Cuisson et faites fonctionner le four à 400 °F pendant 1 heure. Il est normal qu'une odeur caractéristique se dégage lors de cette opération. Ceci est tout à fait normal.

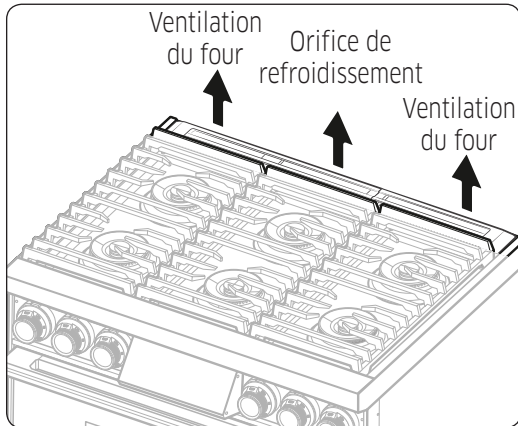
Aérez convenablement la pièce pendant cette période.

Conseils pour économiser de l'énergie

- Au cours de la cuisson, la porte du four doit être fermées sauf lorsque vous retournez les aliments. Veuillez ne pas ouvrir trop souvent la porte au cours de la cuisson afin de maintenir la température du four et d'économiser de l'énergie.
- Si le temps de cuisson est supérieur à 30 minutes, vous pouvez éteindre le four 5 à 10 minutes avant la fin du temps de cuisson pour économiser de l'énergie. La chaleur résiduelle terminera le processus de cuisson.
- Pour économiser de l'énergie et réduire le temps nécessaire pour refaire chauffer le four, prévoyez l'utilisation du four afin d'éviter d'avoir à l'éteindre entre deux cuissons d'aliments.
- Lorsque c'est possible, faites cuire plusieurs aliments à la fois.

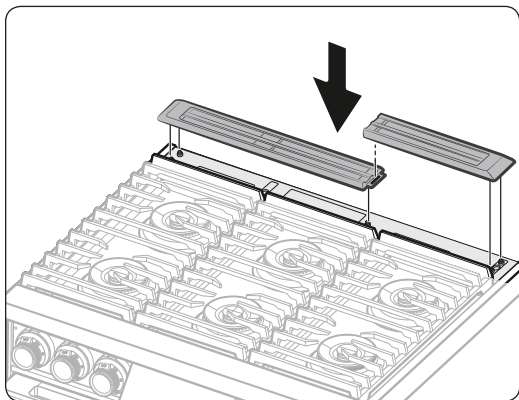
Avant de commencer

Ventilation du four/orifice de refroidissement



Les ventilations du four et de refroidissement sont situées à l'arrière de la cuisinière. Une circulation d'air correcte évite les problèmes de combustion et garantit de meilleures performances.

- N'obturez pas les ventilations ou leur environnement avec des objets.
- Soyez attentif en plaçant des objets à proximité des ventilations. De la vapeur chaude peut provoquer leur échauffement ou leur fusion.
- Prenez vos précautions lorsque le four est en marche, quel que soit le mode activé. Le four laisse échapper de l'air très chaud à travers la ventilation.
- Assurez-vous que la grille de ventilation du four est solidement installée sur la table de cuisson. Vous pouvez vérifier que la grille de ventilation du four est dans la bonne position en contrôlant que les languettes en bas de la grille de ventilation du four rentrent dans les encoches correspondantes sur la table de cuisson.



Informations relatives à la réglementation

1. Avis de la FCC

ATTENTION

MISE EN GARDE DE LA FCC : Tout changement ou modification sans accord express de la partie responsable de la conformité peut rendre caduque l'autorisation accordée à l'utilisateur d'utiliser l'appareil.

Cet appareil est conforme au paragraphe 15 de la réglementation FCC. Son fonctionnement est soumis aux deux conditions suivantes :

- 1) Cet appareil ne doit pas provoquer d'interférences néfastes, et
- 2) Cet appareil doit accepter toute interférence reçue, y compris les interférences entraînant un fonctionnement indésirable.

Concernant les produits disponibles sur les marchés américain et canadien, seules les chaînes 1 à 11 sont disponibles. Vous ne pouvez sélectionner aucune autre chaîne.

DÉCLARATION DE LA FCC :

Cet appareil a été testé ; il est conforme aux limitations applicables aux appareils numériques de classe B, selon le paragraphe 15 de la réglementation FCC. Ces limites sont destinées à assurer une protection suffisante contre les interférences néfastes dans une zone résidentielle.

Cet appareil génère, utilise et peut émettre de l'énergie radioélectrique. S'il n'est pas installé et utilisé selon les instructions, il peut entraîner des interférences néfastes pour les communications radio. Il n'est toutefois pas garanti qu'aucune interférence ne se produise dans le cadre d'une installation en particulier. S'il s'avère que cet appareil produit des interférences avec votre radio ou votre télévision (pour le vérifier, éteignez puis rallumez l'appareil), essayez de les éliminer à l'aide d'une ou de plusieurs des mesures suivantes :

- Réorientation ou déplacement des antennes de réception.
- Augmentation de la distance entre l'appareil et le récepteur
- Branchement de l'appareil à une prise se trouvant sur un circuit différent de la radio ou de la télévision.
- Demande d'aide au revendeur ou à un technicien radio/TV expérimenté.



Informations relatives à la réglementation

DÉCLARATION DE LA FCC RELATIVE À L'EXPOSITION AUX RADIATIONS :

Cet appareil est conforme aux limites d'exposition aux radiations de la FCC, définies pour un environnement contrôlé. Cet appareil doit être installé et utilisé en laissant une distance d'au moins 8 pouces (20 cm) entre le radiateur et votre corps. Cet appareil ainsi que son ou ses antennes ne doivent pas être situés au même endroit et être utilisés conjointement avec toute autre antenne ou transmetteur.

2. Avis IC

Le terme « IC » placé avant le numéro de certification pour les radiofréquences signifie seulement que les spécifications techniques d'Industry Canada ont été respectées. Son fonctionnement est soumis aux deux conditions suivantes : (1) cet appareil ne doit pas provoquer d'interférences, et (2) cet appareil doit accepter toute interférence, y compris les interférences susceptibles d'entraîner un fonctionnement indésirable de l'appareil.

Cet appareil numérique de la classe B est conforme à la norme ICES-003 du Canada.

Concernant les produits disponibles sur les marchés américain et canadien, seules les chaînes 1 à 11 sont disponibles. Vous ne pouvez sélectionner aucune autre chaîne.



DÉCLARATION D'IC RELATIVE À L'EXPOSITION AUX RADIATIONS :

Cet appareil est conforme aux limites d'exposition aux radiations de la norme RSS-102 d'IC, définies pour un environnement contrôlé. Cet appareil doit être installé et utilisé en laissant une distance d'au moins 8 pouces (20 cm) entre le radiateur et votre corps. Cet appareil ainsi que son ou ses antennes ne doivent pas être situés au même endroit et être utilisés conjointement avec toute autre antenne ou transmetteur.



Équipement de type EUT	Émetteur involontaire selon le paragraphe 15 de la FCC
Type de produit	Cuisinière à gaz
Appellation commerciale	Dacor
Modèle	DOP36M96GL*
Variante de modèle	
Règles appliquées	47 CFR Partie 15, partie secondaire B / ANSI C63.4-2014 ICES-003 publication 6
Organisme responsable aux États-Unis	Samsung Electronics America QA Lab 19 Chapin Rd. Building D Pine Brook NJ 07058 Tél. : 1-973-808-6375 Télécopie : 1-973-808-63



Informations relatives à la réglementation

Consignes générales de sécurité

Cet appareil a été testé ; il est conforme aux limitations applicables aux appareils numériques de classe B, selon le paragraphe 18 de la réglementation FCC. Ces limites sont destinées à assurer une protection suffisante contre les interférences néfastes dans une zone résidentielle. Cet appareil génère, exploite et peut émettre des ondes radioélectriques. S'il n'est pas installé et utilisé selon les instructions, il peut entraîner des interférences nuisibles aux communications radio.

Il n'est toutefois pas garanti qu'aucune interférence ne se produise dans le cadre d'une installation en particulier. S'il s'avère que cet appareil produit des interférences avec votre radio ou votre télévision (pour le vérifier, éteignez puis rallumez l'appareil), essayez de les éliminer à l'aide d'une ou de plusieurs des mesures suivantes :

- Réorientation ou déplacement des antennes de réception.
- Augmentation de la distance entre l'appareil et le récepteur
- Branchement de l'appareil à une prise se trouvant sur un circuit différent de la radio ou de la télévision.



Consignes de sécurité importantes

Lisez toutes les consignes de sécurité avant d'utiliser cet appareil

- Tous les appareils électriques et au gaz comportant des pièces mobiles présentent un danger. Assurez-vous de lire la section Informations importantes relatives à la sécurité du présent manuel. Ces instructions doivent être respectées afin de minimiser les risques de dégâts matériels et de blessures graves voire mortelles.
- Conservez le présent manuel à un endroit facile d'accès de sorte que vous puissiez vous y reporter dès que nécessaire.

Symboles utilisés dans ce manuel

AVERTISSEMENT

Risques ou manipulations dangereuses susceptibles d'entraîner des blessures graves, voire mortelles.

ATTENTION

Risques ou manipulations dangereuses susceptibles d'entraîner un choc électrique, des blessures physiques ou des dégâts matériels.

REMARQUE

Conseils et consignes utiles

Les symboles d'avertissement ont pour objectif d'éviter les risques de dégâts matériels et de blessures corporelles. Suivez-les scrupuleusement.



Consignes de sécurité importantes

California Proposition 65 Avertissement

AVERTISSEMENT

Cancer et Troubles de l'appareil reproducteur - www.P65Warnings.ca.gov

Commonwealth du Massachusetts

Cet appareil doit être installé par un plombier certifié ou un monteur d'installations au gaz qualifié ou certifié par l'État du Massachusetts. Lorsque des vannes à bille sont utilisées pour la fermeture du gaz, elles doivent être munies d'une poignée en T. Il ne faut pas connecter plusieurs canalisations de gaz flexibles en série.

Sécurité générale

AVERTISSEMENT

Pour réduire le risque d'incendie, de choc électrique, de blessures et/ou de mort, respectez les précautions suivantes.

- **Ne touchez** aucun(e) surface, composant ou mécanisme de la cuisinière pendant ou juste après son utilisation.
- **Assurez-vous** de savoir où et comment couper la vanne qui alimente la cuisinière en gaz.
- **Assurez-vous** que le **dispositif anti-basculement** est correctement installé sur la cuisinière. Reportez-vous aux consignes d'installation pour plus d'informations.
- **Gardez les enfants éloignés** de la cuisinière. Ne laissez pas les enfants entrer dans ou monter sur la cuisinière. Ne laissez pas les enfants jouer avec la cuisinière ni aucune de ses parties. Ne laissez jamais les enfants sans surveillance dans la cuisine lorsque la cuisinière est en fonctionnement. Pour la sécurité des enfants nous recommandons l'utilisation du dispositif de verrouillage des commandes/de la porte.
- **Retirez** tous les matériaux d'emballage avant d'utiliser la cuisinière pour éviter qu'ils ne prennent feu. Tenez tous les matériaux d'emballage hors de la portée des enfants. Jetez correctement les matériaux d'emballage dès que la cuisinière est déballée.
- **N'entrez pas** d'objets susceptibles d'éveiller l'intérêt des enfants sur ou autour de la cuisinière.
- **Ne faites pas fonctionner** la cuisinière si elle est endommagée d'une quelconque façon, si elle présente un dysfonctionnement ou s'il manque des pièces.
- **N'utilisez pas** la cuisinière comme chauffage. Utilisez la cuisinière uniquement pour la cuisson.



- **N'utilisez pas** de nettoyants pour four ou de revêtements de protection dans ou autour d'aucune partie du four.
- **Utilisez** uniquement des maniques sèches.
- **N'utilisez pas** la cuisinière pour chauffer des aliments contenus dans des récipients fermés.
- **Évitez tout choc** sur le verre du four.
- Lors de la mise au rebut de la cuisinière, **coupez** le cordon d'alimentation et **retirez** la porte afin d'éviter que des enfants ou des animaux ne se fassent piéger à l'intérieur.
- **Débranchez** la cuisinière avant toute opération d'entretien/maintenance.
- **Assurez-vous** que la viande et la volaille sont totalement cuites. La viande doit toujours être cuite à une température de 160 °F (71 °C). La volaille devrait toujours être cuite à une température interne de 180 °F (82 °C).
- Ne tentez pas de faire fonctionner les brûleurs de la table de cuisson à allumage électrique pendant une panne de courant.
- N'entreposez pas de matériaux combustibles, d'essence ou d'autres vapeurs et liquides inflammables à proximité de la cuisinière.
- **Apprenez** aux enfants à ne pas toucher aux commandes ou aux autres éléments de la cuisinière et à ne pas jouer avec. Nous vous conseillons d'utiliser la fonction de verrouillage des commandes / de la porte afin de réduire tout risque d'utilisation incorrecte par des enfants.
- Vous ne devez pas utiliser de rideau d'air ou une autre hotte d'aspiration suspendue (fonctionnant en soufflant un débit d'air vers le bas sur une cuisinière) conjointement à une cuisinière à gaz, sauf si la hotte et la cuisinière ont été conçues et testées conformément à la norme relative aux cuisinières domestiques à gaz, ANSI Z21.1 • CSA1.1, et répertoriées par un laboratoire de test indépendant pour une utilisation combinée.

Sécurité incendie

AVERTISSEMENT

Pour réduire le risque d'incendie, de choc électrique, de blessures graves voire mortelles, respectez les précautions suivantes :

- **Ne stockez/placez/utilisez pas** de matières combustibles (p. ex. papier, plastique, maniques, tissus, essence, alcool) à proximité de la cuisinière.
- **Ne portez jamais** de vêtements amples et des accessoires pendants lorsque vous utilisez cette cuisinière.
- Pour éviter l'accumulation de la graisse, **nettoyez régulièrement** les orifices de ventilation.
- **Ne laissez pas** de maniques ou autres matériaux inflammables toucher un élément chauffant. N'utilisez pas de serviette ou tout autre torchon volumineux comme manique.
- **N'arrosez pas** un incendie lié à la graisse avec de l'eau. Éteignez la source de chaleur et étouffez les flammes à l'aide d'un couvercle hermétique ou en utilisant un extincteur multifonction à poudre ou à mousse.



Consignes de sécurité importantes

- Ne faites pas chauffer des aliments contenus dans des récipients fermés. L'accumulation de pression pourrait faire exploser les contenants et provoquer des blessures.
- N'entreposez pas d'objets à l'intérieur du four. Du papier et d'autres matériaux inflammables stockés dans le four peuvent prendre feu.
- Ne placez aucun objet ou matériau combustible autour de la cuisinière.

Sécurité liée au gaz

AVERTISSEMENT

Pour réduire le risque d'incendie, de choc électrique, de blessures graves voire mortelles, respectez les précautions suivantes :

Si vous sentez une odeur de gaz :

- Fermez la vanne et n'utilisez pas la cuisinière.
- N'allumez pas d'allumette, de bougie ou de cigarette.
- N'allumez aucun appareil au gaz ou électrique.
- Ne touchez pas aux interrupteurs électriques ou aux prises d'un cordon d'alimentation.
- N'utilisez pas de téléphone dans votre immeuble.
- Évacuez toutes les personnes présentes dans le bâtiment.
- Appelez immédiatement votre fournisseur de gaz avec le téléphone d'un voisin. Suivez les instructions de votre fournisseur de gaz.
- Si vous ne parvenez pas à joindre votre fournisseur de gaz, appelez les pompiers.

Vérification des fuites de gaz

Un test de fuite de l'appareil doit être effectué selon les instructions du fabricant. N'utilisez pas de flamme pour vérifier s'il y a des fuites de gaz. Utilisez plutôt un pinceau pour étaler de l'eau savonneuse autour de l'endroit à vérifier. En présence d'une fuite de gaz, de petites bulles apparaîtront dans la solution. En cas de doute, appelez un professionnel pour obtenir de l'aide.



Sécurité électrique et mise à la terre

AVERTISSEMENT

Pour réduire le risque d'incendie, de choc électrique, de blessures graves voire mortelles, respectez les précautions suivantes :

- Branchez la cuisinière sur une prise 4 broches reliée à la terre.
- **Ne retirez pas** la broche de mise à la terre.
- **N'utilisez pas** d'adaptateur ou de rallonge.
- **N'utilisez jamais** une fiche ou un cordon d'alimentation endommagé(e) ou une prise d'alimentation mal fixée.
- **N'altérez en aucun cas** la prise électrique, les fiches électriques ou le cordon d'alimentation.
- **Ne mettez pas** de fusible dans un circuit neutre ou de terre.
- Utilisez un disjoncteur dédié de 120 V CA, 60 Hz, 20 A pour la cuisinière. Il est recommandé d'utiliser un fusible à retardement ou un disjoncteur. Ne branchez pas plusieurs appareils sur ce circuit.
- **Ne branchez pas** le câble de mise à la terre sur des canalisations en plastique ou des conduites de gaz ou d'eau chaude.
- Cette cuisinière **doit être reliée à la terre**. En cas de dysfonctionnement ou de panne de la cuisinière, la mise à la terre permet de réduire le risque d'électrocution en créant un chemin de sécurité pour le courant électrique. Le cordon d'alimentation de cette cuisinière comporte une fiche de mise à la terre qui doit être fermement branchée à une prise correctement installée et mise à la terre conformément aux réglementations locales. Si vous n'êtes pas sûr que la prise électrique soit correctement mise à la terre, consultez un électricien qualifié afin qu'il vérifie.
- Cette cuisinière est fournie avec une prise 4 broches reliée à la terre. Ce cordon doit être branché à une prise de courant 4 broches mise à la terre homologue qui est conforme à tous les codes et règlements locaux. Si les normes permettent l'utilisation d'un câble de mise à la terre séparé, nous vous recommandons de faire appel à un électricien qualifié afin qu'il détermine le chemin approprié pour ce câble.
- L'installation électrique de la cuisinière doit être conforme aux codes locaux. En dehors des codes locaux, l'installation électrique doit être conforme à la dernière norme ANSI/NFPA N°70 – dernière édition (pour les États-Unis) ou au code électrique canadien CSA C22.1 – dernière édition.
- Le propriétaire de la cuisinière doit s'assurer qu'une installation électrique appropriée alimente la cuisinière.

Consignes de sécurité importantes

Sécurité de l'emplacement

AVERTISSEMENT

Pour réduire le risque d'incendie, de choc électrique, de blessures et/ou de mort, respectez les précautions suivantes.

- Cette cuisinière est destinée à une utilisation domestique uniquement à l'intérieur. **N'installez pas** la cuisinière à l'extérieur ou dans un endroit exposé au vent/pluie/courants d'air.
- **N'installez pas** la cuisinière à un endroit où elle sera exposée à de forts courants d'air.
- Sélectionnez un sol de niveau, bien construit et capable de supporter le poids de la cuisinière. Des revêtements synthétiques, tels que du linoléum, doivent supporter des températures de 180 °F (82 °C) sans rétrécir, se voiler ou se décolorer. **N'installez pas** la cuisinière directement sur une moquette de cuisine, sauf si vous placez une couche de contreplaqué de ¼ de pouce ou un isolant similaire entre la cuisinière et la moquette.
- Pour que la cuisinière soit correctement ventilée, assurez-vous que ses orifices de ventilation ne sont pas obturés ou recouverts et qu'il y a suffisamment d'espace au-dessus, à l'arrière, sur les côtés et sous la cuisinière. Les orifices de ventilation permettent l'échappement nécessaire au bon fonctionnement de l'appareil, à une combustion correcte et à l'obtention des résultats de cuisson escomptés.
- **Assurez-vous que** les revêtements muraux situés à proximité de l'appareil peuvent résister à la chaleur générée par celui-ci, pouvant aller jusqu'à 200 °F (93 °C).
- Un placard de rangement est à éviter au-dessus de la surface de la cuisinière. Si un placard de rangement est nécessaire au-dessus de la cuisinière, laissez un dégagement minimum de 30 pouces (76,2 cm) entre la surface de cuisson et le bas des placards ; ou installez une hotte d'aspiration qui dépasse horizontalement d'au moins 5 pouces (12,7 cm) au-delà du bas des placards.
- **Placez** la cuisinière hors des chemins de passage de la cuisine et en dehors des courants d'air afin d'éviter une mauvaise circulation de l'air.
- Si la cuisinière est placée à proximité d'une fenêtre, n'accrochez JAMAIS de longs rideaux ou de stores en papier sur cette fenêtre. Ils peuvent voler au-dessus des brûleurs de surface et s'enflammer provoquant un risque d'incendie.



Sécurité liée à la table de cuisson

AVERTISSEMENT

Pour réduire le risque d'incendie, de choc électrique, de blessures graves voire mortelles, respectez les précautions suivantes :

- **Assurez-vous que** tous les brûleurs sont éteints lorsqu'ils ne sont pas utilisés.
- **N'utilisez pas** de feuille d'aluminium pour revêtir les grilles ou toute autre partie de la cuisinière. Cela peut causer une intoxication au monoxyde de carbone. Les habillages au papier aluminium peuvent également enfermer la chaleur et provoquer un incendie. **Ne laissez pas** les brûleurs sans surveillance lors de réglages moyen ou élevé.
- Préalablement à l'allumage, assurez-vous que tous les chapeaux de brûleurs sont correctement en place et que tous les brûleurs sont de niveau.
- **Utilisez toujours** la position LITE (ALLUMAGE) pour allumer les brûleurs et assurez-vous qu'ils sont allumés. Si l'allumage échoue, tournez le bouton sur OFF et attendez que le gaz se dissipe avant de rallumer les brûleurs.
- Lorsque vous réglez un brûleur sur mijotage, **ne tournez pas** le bouton rapidement. Assurez-vous que la flamme reste allumée.
- Pour faire chauffer des aliments, vous devez avoir une hotte d'aspiration. Lorsque vous faites chauffer des aliments, la hotte doit être allumée.
- Avant de retirer ou de changer d'ustensile de cuisson, éteignez les brûleurs.
- Retirez les aliments et les ustensiles de cuisson immédiatement après la cuisson.
- Avant de retirer des parties du brûleur pour le nettoyage, assurez-vous que la cuisinière est éteinte et complètement froide.
- Après nettoyage du diffuseur du brûleur, assurez-vous qu'il est complètement sec avant de le réassembler.
- **Assurez-vous que** le repère de l'étincelle sur le diffuseur de brûleur double est placé à côté de l'électrode lorsqu'il est assemblé.
- Pour éviter l'empoisonnement par monoxyde de carbone, ne versez pas d'eau sur la cuisinière lors du nettoyage.
- Sélectionnez des ustensiles qui sont conçus pour la cuisson en surface de la cuisinière. Utilisez les plats recommandés en veillant à ce que leurs dimensions ne dépassent pas celles des grilles de la table de cuisson.
- Pour éviter la décoloration des ustensiles, leur déformation et/ou l'empoisonnement par monoxyde de carbone, n'utilisez pas d'ustensiles beaucoup plus grands que la grille.
- Veillez à orienter les poignées des ustensiles sur un côté ou vers l'arrière, et non au-dessus des autres brûleurs ou du bord avant de la table de cuisson.
- Ne vous tenez pas directement au-dessus du récipient lorsque vous faites frire des aliments.
- Chauffez toujours lentement les huiles de friture et observez-les lorsqu'elles chauffent. Si vous faites frire des aliments à température élevée, surveillez attentivement le processus de cuisson. Si vous devez mélanger des graisses ou des huiles pour frire, mélangez-les avant de les faire chauffer.





Consignes de sécurité importantes

- Utilisez un thermomètre à friture lorsque cela est possible afin de ne pas chauffer l'huile au-delà de son point de fumée.
- Employez une quantité minimale d'huile dans une poêle peu profonde ou une friteuse. Ne faites pas frire des aliments surgelés, congelés, froids ou contenant de l'eau.
- Avant de déplacer les ustensiles pleins de graisse ou d'huile, assurez-vous qu'ils sont complètement refroidis.
- Pour éviter une ébullition à retardement des liquides, laissez-les toujours reposer au moins une vingtaine de secondes une fois le brûleur éteint, ceci afin de permettre à la température de se stabiliser. En cas de brûlure, effectuez les gestes de premiers secours suivants :
 - immergez la zone brûlée dans de l'eau froide pendant au moins 10 minutes ;
 - N'appliquez aucune crème, huile ou lotion ;
 - Recouvrez-la d'un tissu propre et sec.
- Placez les récipients au centre de la grille. Ne placez pas un récipient de plus de 9" de diamètre sur les brûleurs arrière. Si vous placez un récipient trop grand dans la mauvaise position, cela peut interrompre la circulation nécessaire de l'air, faire crépiter la flamme sur le brûleur et altérer l'efficacité de la cuisson.
- **Ne portez jamais** de vêtements amples et des accessoires pendants lorsque vous utilisez cette cuisinière. S'ils entrent en contact avec un brûleur de surface, ils pourront s'enflammer et vous brûler.
- **Ne posez jamais** d'objets en plastique sur la table de cuisson. L'air chaud provenant de l'orifice de ventilation risque de faire fondre ou prendre feu les objets en plastique, ou encore d'augmenter la pression de façon dangereuse dans des récipients en plastique fermés. Vous risquez de vous brûler sérieusement si vous touchez les surfaces situées près de l'orifice de ventilation lorsque le four est en marche.
- **Ne placez aucun appareil** portable ou tout objet différent d'un ustensile de cuisine sur la cuisinière. Si la surface de cuisson est chaude, cela peut provoquer un incendie ou des dégâts matériels.
- Avant de retirer les grilles, **vérifiez toujours** que les commandes sont désactivées et que les grilles ont refroidi afin d'éviter tout risque de brûlure.
- **Ne placez** aucun objet ou matériau combustible autour de la cuisinière.
- Ne touchez pas les brûleurs lorsqu'ils sont allumés. Éteignez les brûleurs lorsque vous changez une poêle ou casserole.



Sécurité liée au four

AVERTISSEMENT

Pour réduire le risque d'incendie, de choc électrique, de blessures et/ou de mort, respectez les précautions suivantes.

- **N'utilisez pas** le four pour un usage autre que la cuisson tel que le séchage de vêtement ou le stockage. Utilisez le four uniquement pour la cuisson.
- **Assurez-vous** que les grilles du four sont placées au même niveau de chaque côté.
- **N'endommagez, ne déplacez et ne nettoyez jamais** le joint de la porte.
- **Ne vaporisez pas** d'eau sur le verre du four lorsque le four est allumé ou juste après l'avoir éteint.
- Écartez-vous lorsque vous ouvrez la porte du four.
- Évitez l'accumulation de graisses dans le four.
- Pour repositionner les grilles du four, **assurez-vous** que le four est complètement refroidi.
- **Ne placez pas** d'objets en plastique à l'intérieur du four.
- Pour éviter d'endommager les boutons de commande des brûleurs ou la commande du four, assurez-vous toujours que la porte du four est fermée lorsque vous utilisez la cuisson traditionnelle et/ou la cuisson au gril.
- **Ne placez pas** la viande trop près de l'élément du gril. Coupez l'excès de gras avant de faire griller.
- Suivez toujours les recommandations du fabricant lorsque vous utilisez des sacs de cuisson ou à rôtir dans le four.
- **Ne couvrez JAMAIS** les fentes, les orifices ou passages sur le fond du four ou couvrez une grille entière avec des matériaux tels que du papier aluminium. Sinon, la circulation de l'air à travers le four sera bloquée pouvant causer une intoxication au monoxyde de carbone. Les habillages au papier aluminium peuvent également enfermer la chaleur et provoquer un incendie.

Consignes de sécurité importantes

Sécurité liée à l'auto-nettoyage du four

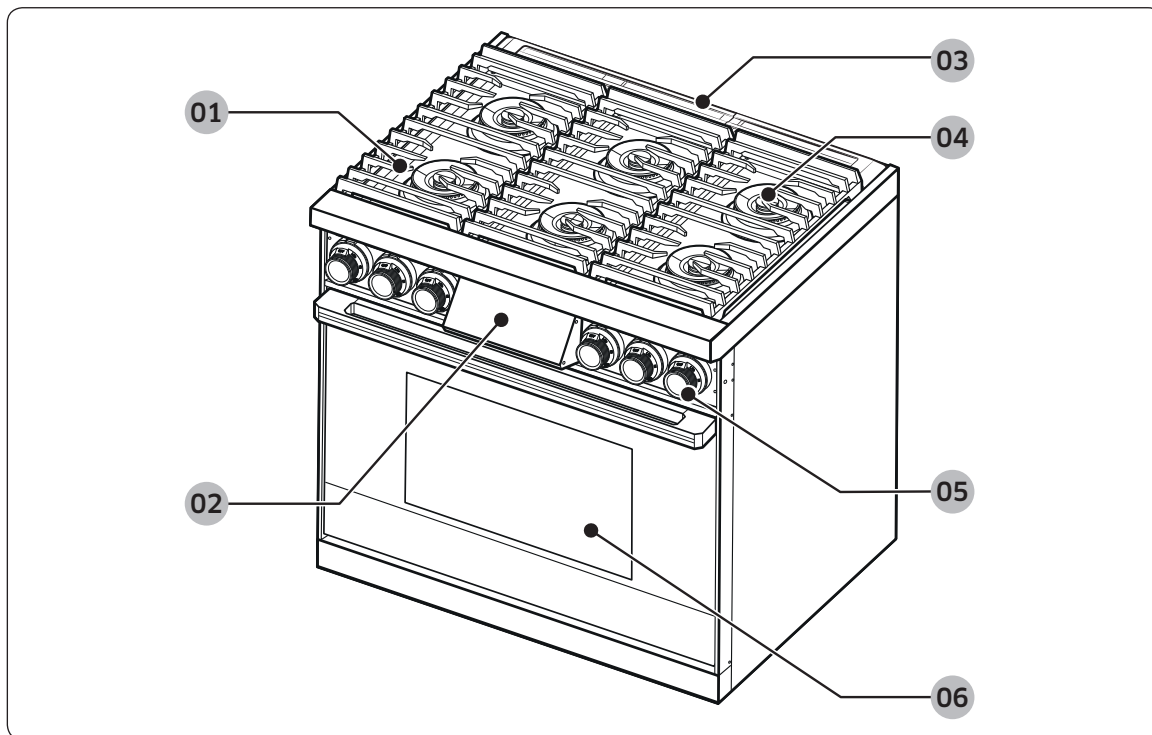
AVERTISSEMENT

Pour réduire le risque d'incendie, de choc électrique, de blessures et/ou de mort, respectez les précautions suivantes.

- La fonctionnalité d'auto-nettoyage porte le four à des températures suffisamment élevées pour brûler les résidus alimentaires dans le four. La cuisinière est extrêmement chaude pendant un cycle d'auto-nettoyage. **Ne touchez pas** les surfaces de la cuisinière pendant un cycle d'auto-nettoyage.
- Tenez les enfants éloignés du four pendant un cycle d'auto-nettoyage.
- Avant de démarrer le cycle d'auto-nettoyage, retirez tous les éléments détachés du four et essuyez toutes les surfaces du four.
- Après un cycle d'auto-nettoyage, écartez-vous lorsque vous ouvrez la porte du four.
- En cas de dysfonctionnement du cycle d'auto-nettoyage, éteignez le four, coupez le disjoncteur électrique et prenez contact avec un technicien de maintenance qualifié.
- Certains oiseaux sont extrêmement sensibles aux fumées émises durant les cycles d'auto-nettoyage, et ce, quel que soit le four. Déplacez les oiseaux dans une autre pièce bien aérée.

Présentation

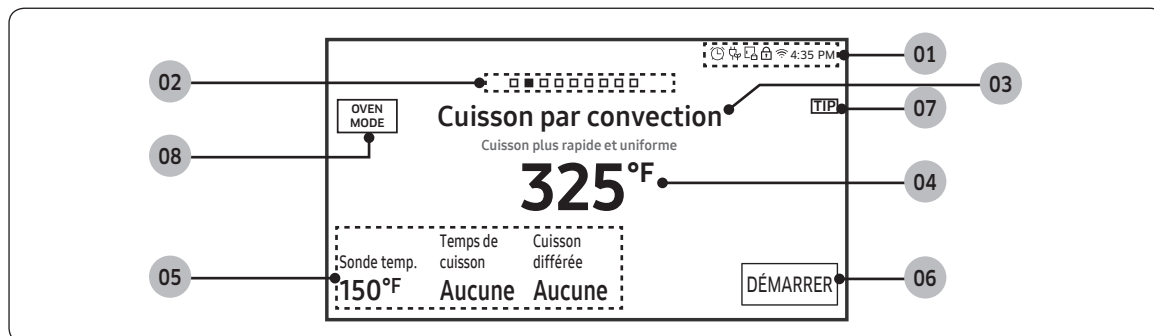
Disposition



01 Grille	02 Panneau de commande
03 Grille de ventilation du four	04 Brûleurs de surface
05 Boutons des brûleurs de surface (6 pièces)	06 Porte du four amovible

Présentation

Affichage



01 Zone de voyants

- Minuterie (🕒) : Lorsque la minuterie est réglée, le voyant de la minuterie apparaît. Lorsque plus de 2 minuteries sont réglées, le nombre (1, 2, 3, etc.) de minuteries réglées s'affiche.
- Verrouillage de la porte (🔒) : s'affiche lorsque la porte du four est verrouillée.
- Wi-Fi (📶) : indique la puissance du signal Wi-Fi en 5 étapes. Lorsque le Wi-Fi est déconnecté, 🚫 s'affiche.
- Économie d'énergie 12 heures (🌿) : s'affiche lorsque la fonction Économie d'énergie 12 heures est activée.
- Heure actuelle : l'heure actuelle s'affiche.

02 Indicateur de page : indique l'emplacement du mode actuel.

03 Mode : le menu actuel ou sélectionné s'affiche avec une description du mode.

04 Température : la température actuelle ou sélectionnée s'affiche. Lorsque vous appuyez à cet endroit, l'écran de réglage de la température s'affiche.

05 Zone d'informations

- Sonde de température : la température réglée pour la sonde de température s'affiche. Lorsque vous appuyez à cet endroit, l'écran Sonde de température s'affiche.
- Temps de cuisson : le temps de cuisson s'affiche. Lorsque vous appuyez à cet endroit, l'écran du temps de cuisson s'affiche.
- Cuisson différée : l'heure de mise en marche différée s'affiche. Lorsque vous appuyez à cet endroit, l'écran Cuisson différée s'affiche.

06 DÉMARRER : Appuyez dessus pour démarrer le four avec les paramètres affichés.

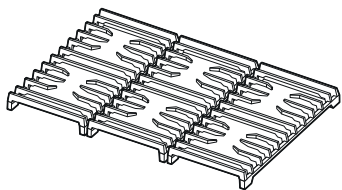
07 TIP (CONSEIL) : Appuyez doucement dessus pour afficher la recommandation pour chaque mode.

08 OVEN MODE (MODE FOUR) : Appuyez pour afficher le menu de sélection du mode.

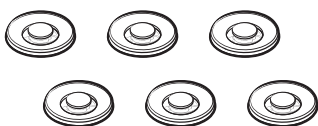
📖 REMARQUE

L'affichage présenté dans ce manuel peut différer de l'affichage réel.

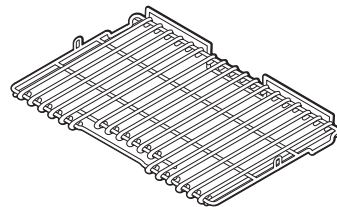
Accessoires fournis



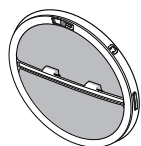
Grilles (3)



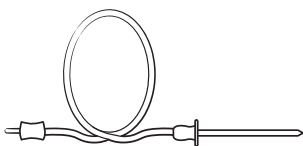
Têtes de brûleurs (6) et
chapeaux de brûleurs (6)



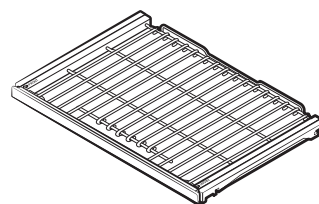
Grille plate (1)



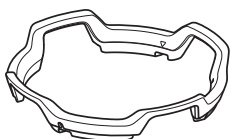
Filtre de convection (2)



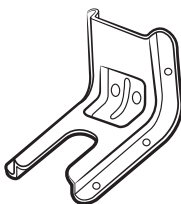
Sonde de température (1)



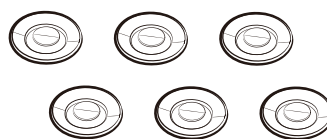
Grilles coulissantes (2)



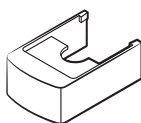
Anneau wok (1)



Support anti-basculement (1)



Chapeaux de brûleurs en laiton (6)



Caches des pieds avant (2)

La cuisinière est livrée avec deux types de chapeaux de brûleurs (en laiton et en porcelaine) pour que le client puisse choisir ceux qu'il préfère. Le laiton se décolore avec l'usage. La décoloration n'affecte en rien le fonctionnement.

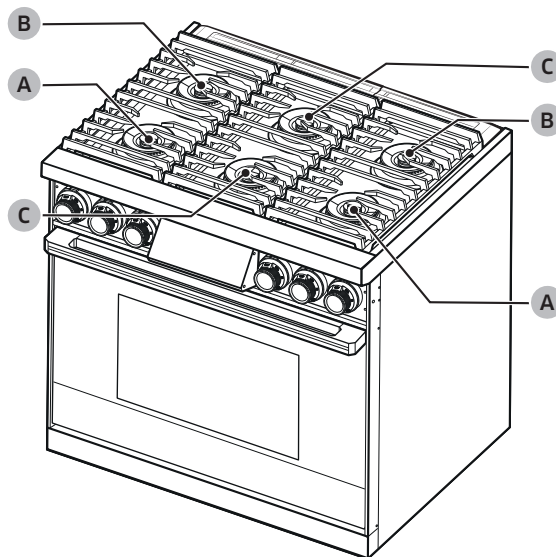
REMARQUE

- Vous devez insérer des filtres de convection avant d'utiliser le four.
- La garantie ne couvre pas les chapeaux de brûleurs en laiton.

Utilisation de la table de cuisson

Brûleurs

Votre cuisinière est dotée de trois types de brûleurs. Voir le schéma ci-dessous pour la sortie de chaleur et l'emplacement. Chaque brûleur génère une étincelle lorsque vous tournez le bouton sur la position d'étincelles représentée par le « symbole de flamme ». (N'utilisez pas la table de cuisson si l'étincelle n'est pas activée.) Lorsque le brûleur s'allume, l'étincelle s'arrête automatiquement. Les joints sous les brûleurs empêchent les liquides de se renverser et de fuir sur les parties internes de la cuisinière.



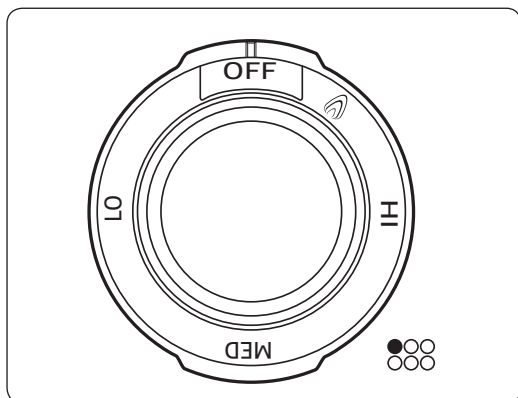
A	Brûleur double 22K BTU
B	Brûleur double 18K BTU
C	Brûleur à double anneau 18K BTU

Chaque brûleur est destiné à un usage spécifique, comme indiqué dans le tableau ci-dessous.

Brûleur	NAT. (pour le gaz naturel)	Fonction	Type d'aliment
Brûleur double 22K BTU	Avant gauche (AvG)	Chauffage/ Mijotage à basse température	Aliment bouilli, sauce tomate
	Avant droit (AvD)		
Brûleur double 18K BTU	Arrière gauche (ArG)	Chauffage rapide/ Mijotage à basse température	Aliments délicats qui nécessitent une faible température pendant une longue durée.
	Arrière droit (ArD)		
Brûleur à double anneau 18K BTU	Avant centre (AvC)	Cuisson rapide	Aliments en général, plats mijotés
	Arrière centre (ArC)		

Utilisation de la table de cuisson

Allumage



REMARQUE

Chaque bouton de commande est doté d'un brûleur correspondant. L'emplacement du brûleur correspondant est indiqué à côté du bouton.

Pour allumer un brûleur :

1. Enfoncez et tournez le bouton dans le sens antihoraire sur la position Lite (Allumage). L'allumeur du brûleur créera des étincelles jusqu'à ce que le brûleur s'allume. L'étincelle émet un cliquetis. Le brûleur doit s'allumer en quatre secondes. La flamme doit brûler de façon homogène autour du brûleur, sauf sous chaque pied de soutien des grilles, où la hauteur de la flamme est réduite par la fonction Smart Flame de Dacor. Une flamme normale est stable et bleue. La présence de corps étrangers dans la conduite de gaz, notamment dans les nouvelles constructions, peut générer une flamme orange temporaire pendant les premières utilisations. La présence de petites extrémités jaunes sur les flammes est normale si vous utilisez du GPL. Si un brûleur ne s'allume pas, si l'allumeur continue de faire des étincelles ou si la flamme n'est pas homogène autour du chapeau du brûleur, voir la section **Dépannage** à la page 93.
2. Placez l'ustensile de cuisine sur la grille.
3. Réglez la flamme en fonction de la cuisson.

REMARQUE

Éteignez le brûleur en l'absence de d'étincelle et vérifiez que la cuisinière est alimentée en électricité. N'allumez jamais le brûleur manuellement en cas de panne électrique.



Astuces

- Les aliments cuisent aussi rapidement en faible ébullition qu'en forte ébullition. Faites bouillir doucement les aliments afin d'économiser l'énergie et conserver les arômes et les nutriments.
- Utilisez une flamme faible ou moyenne avec des ustensiles faiblement conducteurs de chaleur (verre, céramique, fonte). Réglez la flamme pour couvrir 1/3 du diamètre de l'ustensile afin de garantir un chauffage uniforme et éviter de brûler ou carboniser les aliments.

Niveau de flamme

Les flammes du brûleur doivent toujours rester en-dessous des ustensiles.

Avant d'utiliser les boutons des brûleurs...

Afin d'éviter un changement de la taille de la flamme, chaque bouton de brûleur peut être actionné par une méthode presser-tourner.

De même, l'utilisateur rencontre des points de butée lorsqu'il tourne le bouton. À chaque point de butée, pressez-tournez le bouton pour continuer. Le bouton ne peut être tourné que si l'utilisateur a l'intention de changer la taille de la flamme.





Utilisation de la table de cuisson

Récipient

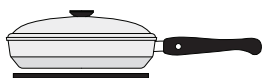
AVERTISSEMENT

- Les récipients dont la partie inférieure est rugueuse peuvent endommager de manière permanente les surfaces de la grille.
- Pour éviter de vous brûler, tournez toujours les poignées des ustensiles de façon à ne pas les heurter. Les poignées ne doivent pas se trouver au-dessus des brûleurs adjacents ou dépasser de la partie avant de la table de cuisson. Placez toujours délicatement vos ustensiles sur les grilles et centrez-les pour assurer un bon équilibre.
- Ne faites pas glisser les ustensiles sur les grilles. Vous risqueriez d'endommager le revêtement. Soulevez les ustensiles pour les repositionner.
- Afin d'éviter les brûlures et les risques d'incendie, vérifiez que la flamme du brûleur se trouve sous l'ustensile.
- Si vous utilisez des ustensiles en verre, assurez-vous qu'ils sont adaptés à une cuisson sur table de cuisson.
- Lors de la cuisson, veillez à tenir la poignée d'un wok ou l'anse d'un petit récipient.

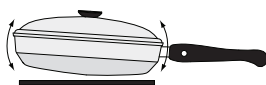
Pour des raisons de sécurité et des performances optimales, choisissez l'ustensile le mieux adapté aux aliments que vous souhaitez cuisiner. Des ustensiles inadaptés ne cuiront pas de façon uniforme ou efficace vos aliments.

Utilisez des ustensiles :

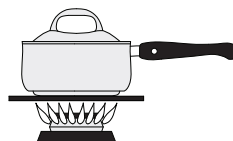
- Avec un fond plat et lisse ;
- Avec un couvercle serré permettant de garder la chaleur, les odeurs et la vapeur ;
- Bien équilibré avec la poignée plus légère que la partie principale de la casserole ou de la poêle.



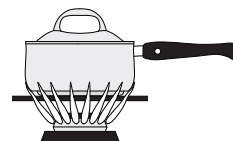
Recommandé



Non recommandé



Recommandé



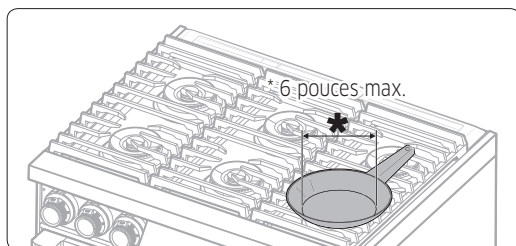
Non recommandé



Caractéristiques du matériau

- **Aluminium** : un excellent conducteur thermique. Certains types d'aliments font noircir l'aluminium. Toutefois, les ustensiles en aluminium anodisé résistent aux taches et aux piqûres.
- **Cuivre** : un excellent conducteur thermique mais se décolore facilement.
- **Acier inoxydable** : un conducteur thermique lent entraînant une cuisson inégale mais il est durable, facile à nettoyer et résistant aux taches.
- **Fonte** : un mauvais conducteur, mais conserve très bien la chaleur.
- **Émail** : Les caractéristiques de chauffage varient en fonction du matériau de base.
- **Verre** : un conducteur thermique lent. Utilisez uniquement des ustensiles en verre qui sont spécifiés pour une cuisson sur table de cuisson ou pour une utilisation dans un four.

Limitations de taille



⚠ AVERTISSEMENT

Ne placez pas de petite poêle ou casserole avec un diamètre de fond d'environ 6 pouces ou moins sur le grand brûleur. Un récipient de cette taille risque de se renverser et de provoquer des blessures. Utilisez les brûleurs arrière pour ces ustensiles de petite taille.

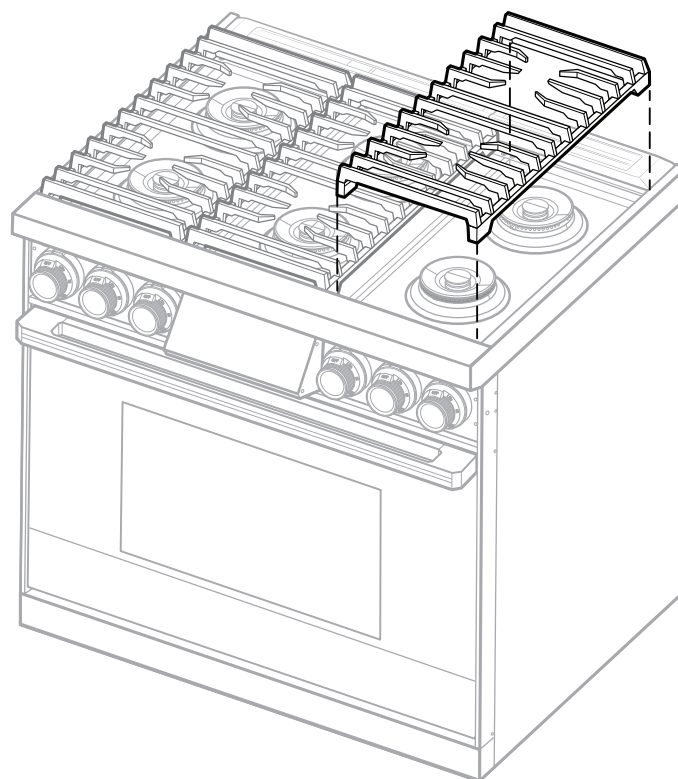
Utilisation de la table de cuisson

Grilles

Placez délicatement les grilles sur le plateau de propreté. Placez les pieds de chaque grille dans les orifices correspondants.

REMARQUE

Les grilles sont lourdes. Manipulez les grilles avec précaution.

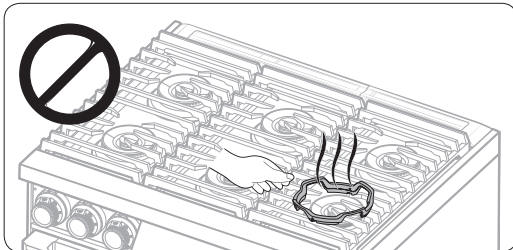
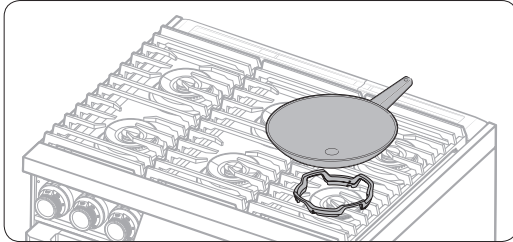


REMARQUE

Avant d'installer les grilles, vérifiez les inscriptions sous les grilles. Les inscriptions vous indiquent l'emplacement de la partie avant ainsi que la bonne position de la grille, le côté gauche, le côté droit et la partie centrale.

Anneau wok

Les woks permettent de faire sauter, mijoter, frire et pocher les aliments. L'anneau wok fourni supporte les woks de 12" à 14".



1. Éteignez tous les brûleurs et attendez que les grilles refroidissent complètement.
2. Placez l'anneau wok sur la grille au-dessus du brûleur double 22K BTU.
3. Placez un wok sur l'anneau wok. Assurez-vous que le wok placé sur l'anneau soit stable.
4. Allumez le brûleur et réglez le niveau de flamme approprié.

⚠ ATTENTION

- Ne retirez pas l'anneau wok avant que lui-même, les grilles et les surfaces de la table de cuisson n'aient totalement refroidi.
- N'utilisez pas d'ustensiles à fond plat ou d'un diamètre inférieur au diamètre de l'anneau du wok. L'ustensile peut basculer.
- N'utilisez pas de wok volumineux. Les flammes du brûleur peuvent s'étendre, provoquant des dommages au voisinage.
- N'utilisez pas la grille du wok et le gril simultanément.



Utilisation du four

Paramètres de base : horloge, date et heure, langue

Thème de l'horloge

Pour changer le thème de l'horloge.

1. Appuyez sur **SETTINGS (PARAMÈTRES)** puis appuyez sur **Affichage**.
2. Appuyez sur **Thème de l'horloge** et choisissez le thème que vous souhaitez utiliser.
Vous pouvez visualiser le thème de l'horloge en balayant l'affichage.

Date et heure

Pour activer la date et l'heure automatiques.

1. Activez la connexion Wi-Fi.
2. Appuyez sur **SETTINGS (PARAMÈTRES)** > **Date et heure** puis appuyez sur **Date et heure** > **Date et heure automatiques** puis sur **ON** sur l'écran de droite. La date et l'heure sont réglées automatiquement.

Pour saisir manuellement la date et l'heure.

1. Appuyez sur **SETTINGS (PARAMÈTRES)** > **Date et heure** puis appuyez sur **Date et heure** > **Date et heure automatiques** puis sur **OFF** sur l'écran de droite. Le fuseau horaire, l'heure et la date réglées sont activés.
2. Vous pouvez régler le fuseau horaire, la date et l'heure.

Pour changer le format de l'heure.

1. Appuyez sur **SETTINGS (PARAMÈTRES)** > **Date et heure** > **Sélectionnez le format de l'heure**, puis appuyez sur l'écran de droite.
2. Vous pouvez sélectionner le format 12 heures ou le format 24 heures.

Langue

Permet de choisir une langue d'affichage.

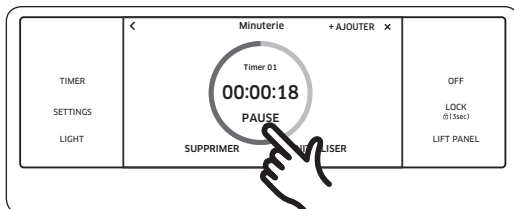
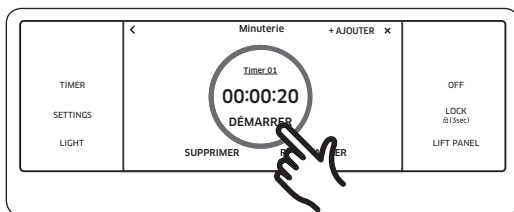
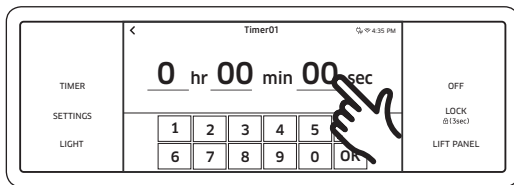
1. Appuyez sur **SETTINGS (PARAMÈTRES)** > **Langue**, puis cliquez sur l'écran de droite.
2. Vous pouvez sélectionner English, Español, ou Français.



Minuterie

La minuterie émet un signal sonore une fois que le temps réglé est écoulé. Elle ne permet pas de démarrer ou d'arrêter les fonctions de cuisson. Vous pouvez utiliser la minuterie avec toutes les autres fonctions du four.

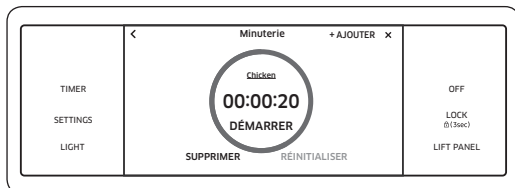
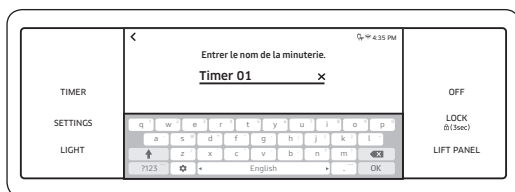
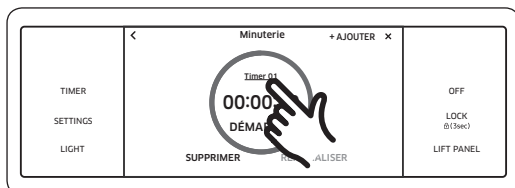
Comment régler la minuterie ?



1. Appuyez sur **TIMER (MINUTERIE)**. L'affichage passe à l'écran de la minuterie.
2. Appuyez sur **+ Ajouter la minuterie**.
3. Appuyez sur les chiffres du pavé numérique pour régler l'heure. (Vous pouvez régler la minuterie sur une durée comprise entre 1 seconde et 23 h 59 min 59 s.)
4. Appuyez sur **DÉMARRER**. Une fois le temps réglé écoulé, le four émet un signal sonore et affiche un message indiquant que la minuterie est écoulée.
 - Vous pouvez mettre en pause, réinitialiser ou supprimer la minuterie à tout moment en appuyant sur l'écran.

Utilisation du four

Modification du nom de la minuterie



Vous pouvez modifier le nom de la minuterie afin d'indiquer ce que pour quoi vous l'utilisez, par exemple la décongélation d'un poulet.

1. Appuyez sur la zone du nom de la minuterie.
 - Le clavier s'affiche.
2. Appuyez sur le clavier pour saisir le nouveau nom de la minuterie.
 - L'écran affiche le nom modifié de la minuterie.

Cuisson minutée

En mode de cuisson minutée, le four s'allume immédiatement et effectue la cuisson pendant la durée que vous avez sélectionnée.

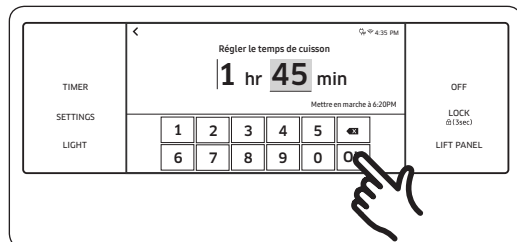
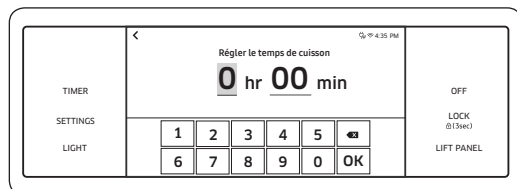
À la fin du temps de cuisson, le four s'éteint automatiquement.

- Vous pouvez utiliser la fonction de cuisson minutée uniquement avec une autre fonction de cuisson. (Cuisson, cuisson par convection, Rôtissage par convection, Pro convection, Levage du pain, Cuisson sur pierre, Déshydratation).

REMARQUE

Les modes disponibles pour chaque four sont indiqués à la page 40.

Réglage du four pour la cuisson minutée



1. Sélectionnez le mode de cuisson de votre choix.
2. Appuyez sur **Temps de cuisson**. L'affichage passe à l'écran du temps de cuisson.

3. Appuyez sur les chiffres du pavé numérique pour régler le temps de cuisson. (Vous pouvez régler le temps de cuisson sur une durée comprise entre 1 minute et 9 heures 59 minutes.)

Utilisation du four



4. Le temps de cuisson s'affiche dans la zone Temps de cuisson de l'écran.

REMARQUE

Vous pouvez annuler un temps de cuisson à tout moment en réglant Temps de cuisson sur 0 minute.

ATTENTION

Faites attention avec les fonctions de cuisson minutée ou de Cuisson différée. Vous pouvez utiliser ces fonctions pour la cuisson des viandes salées ou surgelées ainsi que de la plupart des fruits et légumes. Les aliments pouvant s'abîmer facilement (lait, œufs, poisson décongelé ou frais, viande ou volaille) doivent d'abord être laissés au frais dans le réfrigérateur.

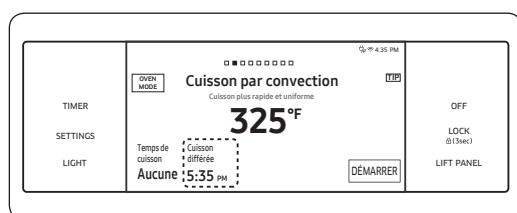
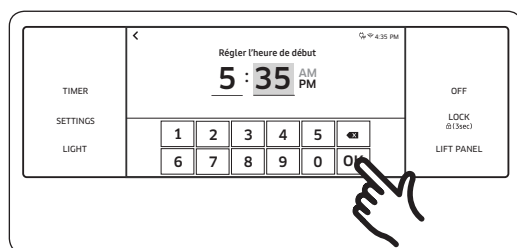
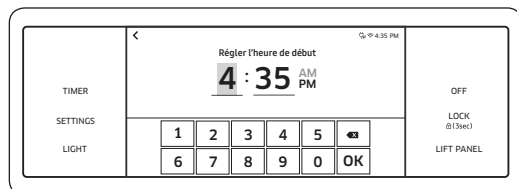
Même réfrigérés, ces aliments ne doivent pas reposer au four pendant plus d'une heure avant le démarrage de la cuisson. De plus, ils doivent être retirés rapidement une fois la cuisson terminée. La consommation d'aliments gâtés peut entraîner des maladies liées à un empoisonnement alimentaire.

Cuisson différée

En mode de cuisson différée, la minuterie du four permet d'allumer le four à une heure que vous avez sélectionnée préalablement. Vous pouvez faire éteindre votre four automatiquement après l'écoulement d'une durée réglée, en activant également la fonction de cuisson minutée.

- Vous ne pouvez utiliser la fonction Cuisson différée qu'avec un autre mode de cuisson (Cuisson, Cuisson par convection, Rôtissage par convection, Pro Convection, Levage du pain, Cuisson sur pierre, Déshydratation, Autonettoyage).
- Vous pouvez régler le four pour un cuisson différée avant de régler les autres options de cuisson.
- L'horloge doit être réglée sur l'heure actuelle.

Comment régler le four pour la cuisson différée ?



1. Positionnez la ou les grilles du four sur la hauteur appropriée et enfournez les aliments.
2. Sélectionnez le mode de cuisson de votre choix.
3. Réglez le temps de cuisson si vous souhaitez que le four s'éteigne automatiquement après l'écoulement d'une durée réglée. (Reportez-vous à la section **Cuisson minutée** en page 37).
4. Appuyez sur **Cuisson différée**. L'heure actuelle s'affiche comme première entrée.
5. Appuyez sur les chiffres du pavé numérique pour régler l'heure à laquelle vous voulez que le four démarre.
6. L'écran Cuisson différée se ferme. L'heure de début et, si vous le réglez, le temps de cuisson, s'affichent à l'écran.

Utilisation du four

Fonctions du four

Four	Fonctions du four
Four basique	Cuisson, Cuisson convection, Rôtissage convection, Gril, Grillage par convection, Pro Convection, Mode spécial

Mode de cuisson

Sélectionnez le mode de cuisson de votre choix. Réglez la température de votre choix.

Reportez-vous à **Réglage de la température** à la page 43 et **Instructions pour la cuisson traditionnelle et la cuisson au gril** à partir de la page 44.

Mode	Plage de température	Sonde de température
Cuisson	De 175 °F (80 °C) à 550 °F (285 °C)	✓
Cuisson par convection	De 175 °F (80 °C) à 550 °F (285 °C)	✓
Rôtissage par convection	De 175 °F (80 °C) à 550 °F (285 °C)	✓
Gril	LO (FAIBLE), MED (MOYENNE), HI (ÉLEVÉE)	✗
Grillage par convection	LO (FAIBLE), MED (MOYENNE), HI (ÉLEVÉE)	✗
Pro Convection	De 175 °F (80 °C) à 550 °F (285 °C)	✓

✓ = Disponible / ✗ = Indisponible

Mode	Instruction
Cuisson	<ul style="list-style-type: none">Le mode Cuisson est utilisé pour faire cuire des gâteaux, des cookies et des ragoûts. Faites toujours préchauffer le four.Les températures et les temps de cuisson varient en fonction des ingrédients, ainsi que de la taille et de la forme du plat de cuisson utilisé.Les revêtements sombres ou antiadhésifs peuvent permettre de cuire les aliments plus rapidement avec plus de brunissement.

Mode	Instruction
Cuisson par convection	<ul style="list-style-type: none"> • La fonction Cuisson par convection utilise un ventilateur pour faire circuler la chaleur de façon homogène et continue dans le four. • Cette distribution efficace de la chaleur vous permet d'obtenir une cuisson homogène et excellente lorsque vous utilisez plusieurs grilles. • Apporte les meilleures performances avec les cookies, les biscuits, les brownies, les cupcakes, les choux à la crème, les viennoiseries, les gâteaux des anges et le pain. • En cas de cuisson par convection avec une seule grille, placez la grille au niveau 3. • En cas de cuisson par convection avec deux grilles, placez-les aux niveaux 2 et 4 pour les gâteaux et les cookies. • En cas de cuisson par convection avec trois grilles, placez-les aux niveaux 1, 3 et 5 pour les cookies. Pour obtenir de meilleurs résultats, utilisez des demi-plaques disponibles dans le commerce ou une plaque à cookies de 16". • La température du four doit être baissée manuellement de 25 °F lors de l'utilisation du mode Cuisson par convection. • Le four peut contenir une plaque de cuisson complète disponible dans le commerce (18" x 26"). N'utilisez qu'un ustensile de cuisson de taille commerciale à la fois.
Rôtissage par convection	<ul style="list-style-type: none"> • La fonction Rôtissage par convection est conseillée pour la cuisson de morceaux de viande très tendres qu'il faut préparer sans couvrir. Le ventilateur de convection distribue l'air chauffé de manière uniforme sur la nourriture et autour. • La viande et la volaille sont dorées de toute part, comme après une cuisson en rôtissoire. • L'air chauffé se mélange rapidement au jus pour une cuisson moelleuse et tendre tout en dorant parfaitement l'extérieur.
Gril	<ul style="list-style-type: none"> • Le gril permet de cuire des morceaux de viande tendres utilisant la chaleur directe sous le gril du four. • La chaleur élevée permet de cuire plus rapidement tout en dorant parfaitement l'extérieur. Le mode de gril est le mode le plus adapté aux morceaux de viande, de poisson et de volaille d'une épaisseur maximale de 1 pouce. • Préchauffez toujours le four pendant 5 minutes avant un gril. • Reportez-vous à la section Guide de recommandations concernant le gril commençant en page 51.

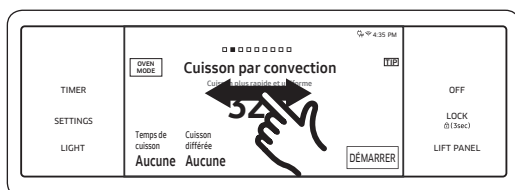
Utilisation du four

Mode	Instruction
Grillage par convection	<ul style="list-style-type: none">• La fonction Grillage par convection est similaire à la fonction Gril, sauf qu'elle offre l'avantage supplémentaire d'assurer la circulation de l'air via le ventilateur motorisé situé à l'arrière du four.• Pendant le mode Grillage par convection, l'élément du gril s'active et se désactive par intervalles afin de conserver la température du four, pendant que le ventilateur assure la circulation de l'air chaud pour une cuisson uniforme.• Utilisez ce mode pour les coupes plus épaisses de viandes, poissons et volailles. La fonction Grillage par convection permet de brunir doucement la surface des aliments et de les saisir dans leur jus.• Pour un brunissage optimal, préchauffez l'élément du gril pendant 5 minutes.
Pro Convection	<ul style="list-style-type: none">• La fonction Pro Convection utilise les deux ventilateurs puissants pour une meilleure circulation de l'air et une cuisson plus rapide.• Idéale pour la cuisson d'aliments sur une seule grille.• Apporte les meilleures performances avec les cookies, les biscuits, les cupcakes, etc.• Pour une cuisson avec une seule grille, placez la grille au niveau 3 ou 4.• Pour une cuisson avec une deux grilles, placez les grilles aux niveaux 2 et 4.



Réglage du mode

Faites glisser votre doigt sur l'écran

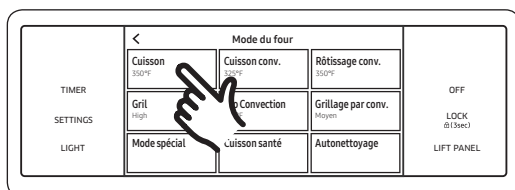


- Faites glisser l'écran vers la gauche ou vers la droite pour sélectionner un mode de cuisson.

Mode résumé



- Appuyez sur la zone du mode pour afficher le mode résumé.

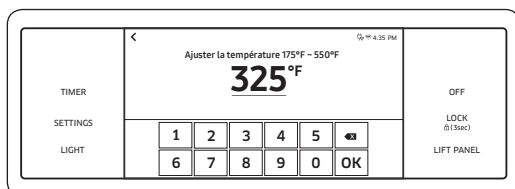


- Appuyez sur le mode de votre choix.

Réglage de la température



- Appuyez sur la zone de température pour afficher le pavé numérique.
- Appuyez sur les chiffres du pavé numérique pour régler la température.
- Appuyez sur **OK**.



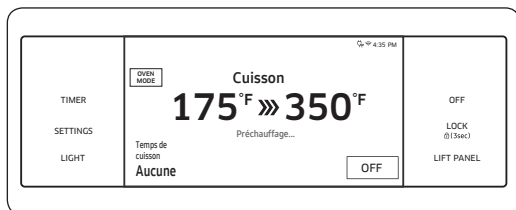
Utilisation du four

Instructions pour la cuisson traditionnelle et la cuisson au gril



1. Sélectionnez le mode de cuisson de votre choix.
2. Réglez la température de votre choix. (Reportez-vous à la section **Réglage de la température** en page 43.)
 - Le mode Gril peut être réglé uniquement sur Hi (Élevée), Med (Moyenne) ou Lo (Faible).
 - Les températures du mode Garde-au-chaud ne peuvent pas être changées.

Réglage de la température en cours de cuisson



Appuyez sur la zone de température et saisissez la nouvelle température à l'aide du pavé numérique.

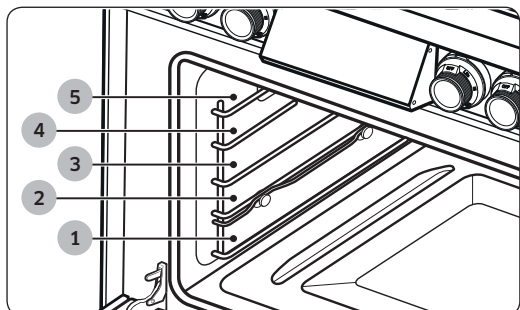
- ★ Si la recette l'indique, enfournez les aliments une fois le four préchauffé. Le préchauffage assure de bons résultats pour la cuisson de gâteaux, biscuits, pâte et petits pains. Une fois la température souhaitée atteinte dans le four, ce dernier émet un signal sonore 6 fois.
- Le ventilateur de convection du four se désactive dès que la porte du four est ouverte.
- ÉVITEZ de laisser la porte ouverte pendant une période prolongée lorsque vous utilisez la cuisson par convection. Sinon, vous réduisez la durée de vie de l'élément de chauffe par convection.

REMARQUE

- Si vous laissez la porte du four ouverte pendant plus de 2 minutes quand le four est allumé, tous les éléments chauffants se couperont automatiquement.
- La cuisson terminée, le ventilateur continuera à fonctionner jusqu'à ce que le four ait refroidi.
- Si vous utilisez un thermomètre spécial four à l'intérieur du four, la température indiquée par le thermomètre peut différer de la température du four réglée réelle.
- Pour des raisons de performances, le ventilateur de convection peut s'allumer ou s'éteindre durant la cuisson.
- Ce four est conçu pour le gril avec PORTE FERMÉE. La porte du four doit être fermée pendant le gril des aliments.

Utilisation du four

Utilisation des grilles du four



Positions recommandées des grilles pour la cuisson

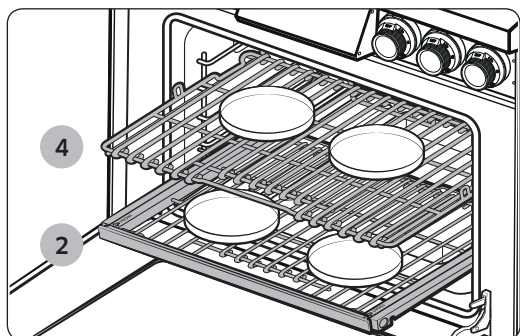
Hauteur de grille	Type d'aliment
5	Bifteck
4	Hamburgers, pain grillé, rumsteck, poisson, petits morceaux de volaille
3	Gâteaux, muffins, brownies, cookies, quatre-quarts
2	Gâteau des anges, tartes, rôtis, plats mijotés, pizza
1	Dinde, gros rôtis, pizza

- Ce tableau n'est communiqué qu'à titre indicatif.

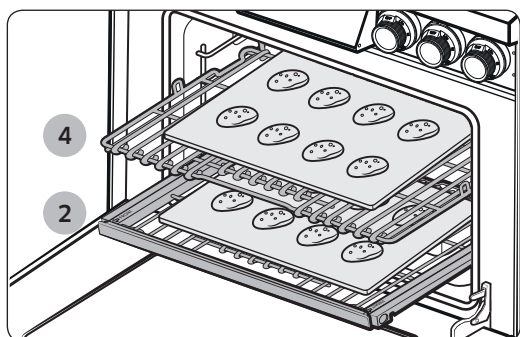
ATTENTION

- Ne couvrez pas une grille du four avec du papier aluminium. Cela peut entraver la circulation de la chaleur, entraînant une cuisson faible.
- Ne placez pas de feuille d'aluminium au fond du four. L'aluminium peut fondre et endommager le four.
- Disposez les grilles du four uniquement lorsque le four est froid.
- Lorsque vous posez la grille sur la position la plus haute (position 5), veillez à ce qu'elle soit placée de façon stable sur la butée en relief.

Cuisson à grilles multiples



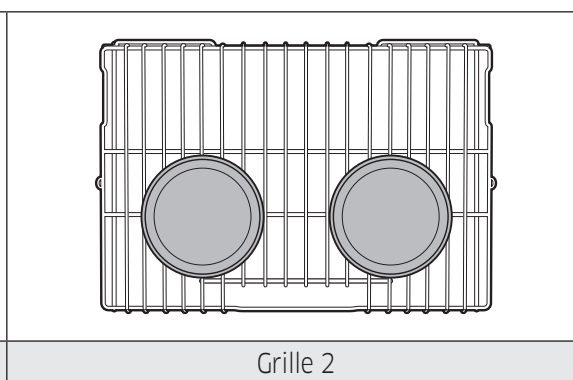
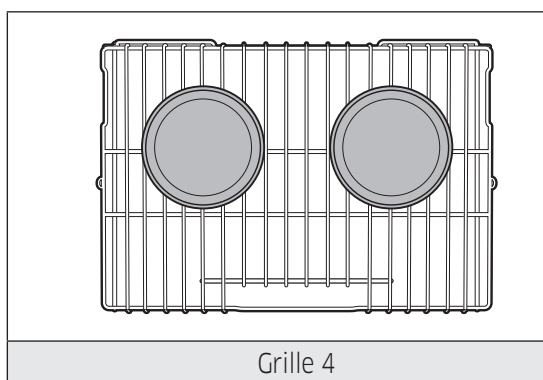
Position des plats à pâtisseries



Position des plaques à biscuits

- Pour la cuisson avec deux grilles de gâteaux ou cookies, placez les grilles aux niveaux 2 et 4.
- Pour 4 moules sur deux grilles : Placez deux moules à l'arrière de la grille supérieure et les deux autres moules à l'avant de la grille inférieure.
- Lorsque vous cuisinez plusieurs éléments sur une même grille, laissez un espace de 1" à 1,5" (2,5 cm à 3,8 cm) entre chacun d'eux.
- Lors de l'utilisation de la grille coulissante, placez-la au-dessous de la grille plane.

Éléments de cuisson	Hauteur de grille
Pâtisseries	2 et 4
Cookie	2 et 4



Utilisation du four

Avant d'utiliser les grilles

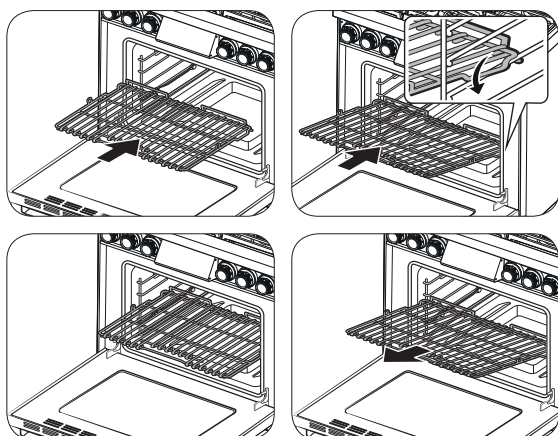
Chacune comporte une butée qui doit être correctement installée sur son support. Les butées empêchent la grille de sortir complètement de son logement.

Retrait des grilles

1. Tirez la grille horizontalement vers l'extérieur jusqu'à ce qu'elle bute.
2. Soulevez l'avant de la grille, puis retirez-la.

Remise en place des grilles

1. Posez l'extrémité de la grille sur le support.
2. Inclinez l'extrémité avant vers le haut et insérez la grille.



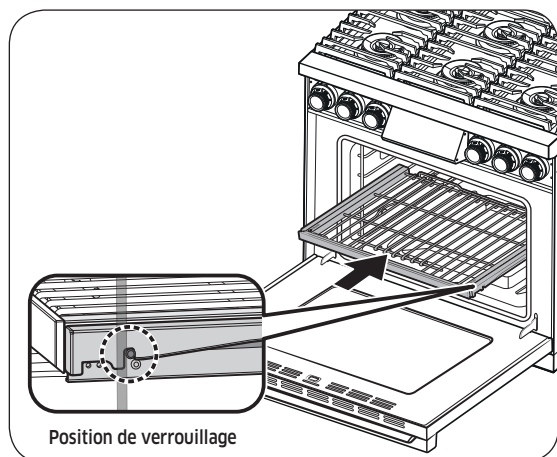
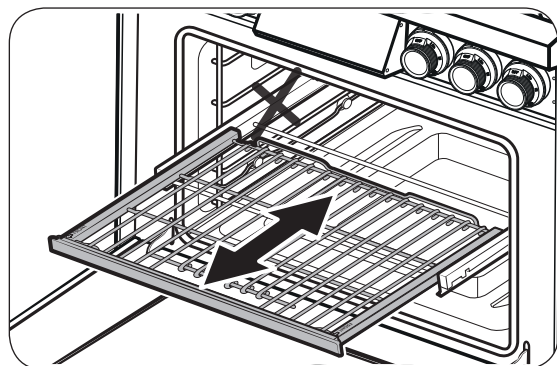
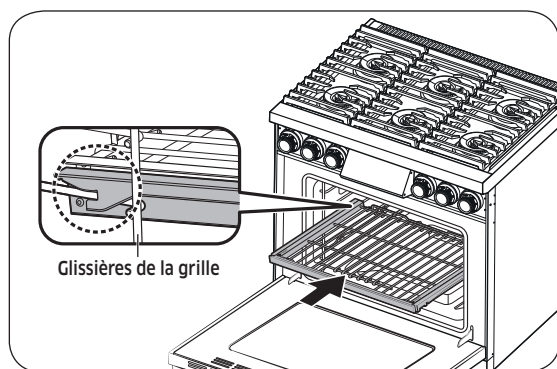
⚠ ATTENTION

- Ne couvrez pas une grille de papier d'aluminium. Ne posez pas de papier d'aluminium au fond du four. Cela empêcherait la circulation de l'air, ce qui altérerait la cuisson et endommagerait la sole du four.
- Disposez les grilles du four uniquement lorsque le four est froid.

Utilisation de la grille coulissante

La grille entièrement coulissante facilite la préparation des plats, en particulier lorsqu'ils sont cuisinés dans des récipients lourds. La grille est équipée de deux rails coulissants vous permettant de faire sortir la grille du four sans risquer de toucher les parois du four.

Installation de la grille coulissante



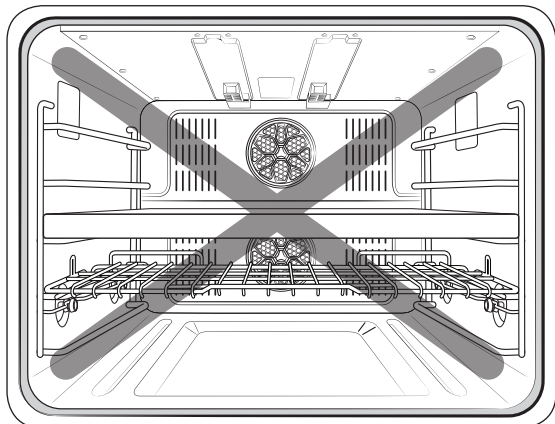
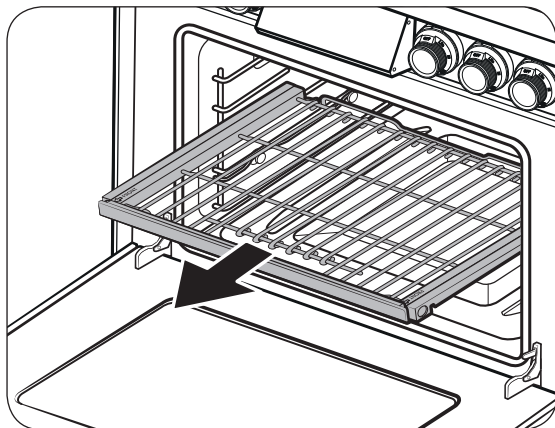
- Assurez-vous que la grille coulissante est en position fermée et que le four est éteint, puis insérez-la entièrement le long des rails de guidage. Reportez-vous à l'illustration en bas à gauche pour voir la position fermée.
- Saisissez toujours la grille coulissante à l'aide de la poignée située sur la partie avant-centre de la grille. La grille pourrait se détacher en la tirant par son cadre, entraînant des projections et des blessures corporelles.

REMARQUE

Veillez à verrouiller la grille coulissante sur le support de grille. Dans le cas contraire, la grille pourrait se détacher et provoquer des blessures corporelles.

Utilisation du four

Retrait de la grille coulissante



- Assurez-vous que la grille coulissante est en position fermée et que le four est éteint et a refroidi, puis tirez à la fois sur la grille et le cadre.

⚠ ATTENTION

- N'essayez pas de placer la grille coulissante un niveau au-dessus de la grille métallique.
- Vous ne pourrez pas l'installer correctement et la grille pourrait tomber.
- Laissez au moins un niveau vide entre une grille coulissante et une grille plate.

📖 REMARQUE

Vous pouvez placer la grille coulissante sur n'importe quel niveau sauf le niveau le plus bas (niveau 1).

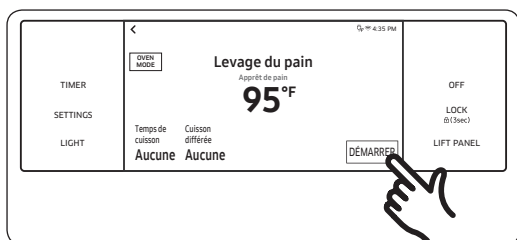
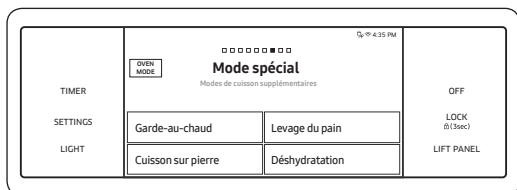
Guide de recommandations concernant le grill

Les temps de grill dépendent de la taille, du poids, de l'épaisseur, de la température de départ ainsi que de vos préférences de cuisson. Ce guide se base sur des viandes sortant du réfrigérateur. Utilisez toujours une lèchefrite et sa grille pour un grill. Préchauffez toujours le four pendant 5 minutes avant un grill.

Aliment	Cuisson	Dimensions	Épaisseur (pouce)	Grill	Hauteur de grille	Temps de cuisson (min)	
						1ère fois	2ème fois
Hamburgers	À point	9 boulettes	1	HI (ÉLEVÉE)	4	04:30 à 05:00	03:30 à 04:00
Bifteck	Saignant	1 lb	1	HI (ÉLEVÉE)	4	04:30 à 05:30	03:00 à 04:00
	À point	1 lb	1	HI (ÉLEVÉE)	4	05:00 à 06:00	05:00 à 06:00
	Bien cuit	1 lb	1	MED (MOYEN)	4	06:00 à 07:00	06:00 à 07:00
Morceaux de poulet	Bien cuit	1,5 lb	½ à 1	Grillage par conv. LO (FAIBLE)	3	12:00 à 13:00	09:00 à 11:00
	Bien cuit	3 lbs	½ à 1	Grillage par conv. LO (FAIBLE)	3	16:00 à 17:00	12:00 à 14:00
Escalopes de porc	Bien cuit	1 à 2 morceaux	½ à 1	LO (FAIBLE)	4	12:00 à 14:00	09:00 à 11:00
Escalopes de poulet	Bien cuit	3 à 5 morceaux	½ à 1	MED (MOYEN)	4	07:00 à 09:00	08:00 à 10:00
Steaks de saumon	Bien cuit	3 à 5 morceaux	½ à 1	MED (MOYEN)	4	05:00 à 07:00	04:00 à 06:00
Filets de poisson	Bien cuit	3 à 5 morceaux	¼ à ½	MED (MOYEN)	4	05:00 à 06:00	04:00 à 06:00
Filets de cabillaud	Bien cuit	3 à 5 morceaux	1	MED (MOYEN)	4	07:00 à 09:00	07:00 à 09:00

Utilisation du four

Utilisation de la fonction mode spécial



1. Glissez le doigt sur l'écran jusqu'à la fonction **Mode spécial**. L'écran affiche les options de cuisson spécialisées.

2. Appuyez sur l'option de cuisson de votre choix.

3. Réglez la température de votre choix.

4. Appuyez sur **DÉMARRER**.

REMARQUE

Vous ne pouvez pas régler la température du mode **Garde-au-chaud**. Le mode **Garde-au-chaud** n'utilise qu'un seul paramètre de température : 175 °F.

La fonction Mode spécial offre 4 options différentes de cuisson spécialisée.

Mode	Plage de température
Garde-au-chaud	175 °F (80 °C) **
Levage du pain	95 °F (35 °C) / 105 °F (40 °C)
Cuisson sur pierre	De 375 °F (190 °C) à 475 °F (245 °C)
Déshydratation	De 105 °F (40 °C) à 225 °F (105 °C)

** Cela signifie qu'une température réglée en usine est appliquée pour assurer des performances optimales. Vous ne pouvez pas régler cette température.

Mode	Instruction
Garde-au-chaud	<ul style="list-style-type: none"> Le mode Garde-au-chaud permet de conserver des aliments cuits au chaud jusqu'à 3 heures après leur cuisson en vue de les servir. Vous pouvez utiliser le mode Garde-au-chaud sans autre mode de cuisson ou l'activer au bout d'un temps défini. N'utilisez pas ce mode pour réchauffer des aliments froids.

Mode	Instruction									
Levage du pain	<ul style="list-style-type: none"> La fonction Levage du pain utilise une température optimale pour le processus de levée du pain. <ul style="list-style-type: none"> - 95 °F/105 °F Pour de meilleurs résultats, démarrez toujours l'option Levage du pain dans un four froid. Le mode Levage du pain fonctionne correctement uniquement si la température du four est inférieure à 125 °F. La température de pré cuisson n'est pas suffisamment élevée pour conserver les aliments au chaud. Placez la pâte dans un récipient résistant à la chaleur sur la grille à la position 2 ou 3 et couvrez-la avec un tissu ou un film plastique. Il peut s'avérer nécessaire d'immobiliser le film plastique sous le récipient, afin qu'il ne soit pas soulevé par la ventilation du four. Pour éviter d'abaisser la température du four et d'augmenter le temps de pré cuisson, n'ouvrez pas la porte du four. 									
Cuisson sur pierre	<ul style="list-style-type: none"> Accessoire en pierre nécessaire. Cuisson sur une pierre pour pizza et pain. Préchauffez toujours avec une pierre pour de meilleures résultats. Le préchauffage prend environ 30 minutes. Lorsque le signal sonore retentit, placez la pizza ou le pain sur la grille en position 1 ou 2. 									
Déshydratation	<ul style="list-style-type: none"> Le mode Déshydratation assèche les aliments ou retire l'humidité qu'ils contiennent via la circulation de la chaleur. Une fois que les aliments sont déshydratés, conservez-les dans un endroit frais et sec. Pour des fruits, ajoutez du jus de citron ou d'ananas ou saupoudrez du sucre sur les fruits pour qu'ils conservent leur caractère sucré. <table border="1"> <thead> <tr> <th>Catégorie</th> <th>Hauteur de grille</th> <th>Température (°F)</th> </tr> </thead> <tbody> <tr> <td>Légumes ou Fruits</td> <td>2 ou 3</td> <td>105-150</td> </tr> <tr> <td>Viande</td> <td>2 ou 3</td> <td>145-225</td> </tr> </tbody> </table>	Catégorie	Hauteur de grille	Température (°F)	Légumes ou Fruits	2 ou 3	105-150	Viande	2 ou 3	145-225
Catégorie	Hauteur de grille	Température (°F)								
Légumes ou Fruits	2 ou 3	105-150								
Viande	2 ou 3	145-225								

REMARQUE

- Le préchauffage n'est pas nécessaire pour le Mode spécial, sauf pour le mode Cuisson sur pierre.
- Un signal sonore est émis si le réglage de la température est hors des limites.

Utilisation du four

Tableau des hauteurs de grille pour les options de cuisson spéciales

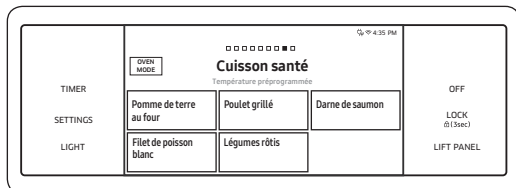
Mode	Hauteur de grille
Garde-au-chaud	3
Levage du pain	2 ou 3
Cuisson sur pierre	1 ou 2
Déshydratation	2 ou 3

Pour certaines fonctionnalités courantes, consultez la page **Utilisation du four**.

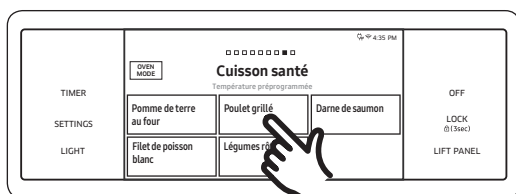
Les fonctions courantes sont les suivantes.

- Paramètres de base
- Utilisation de la sonde de température
- Réglage du mode
- Réglage de la température
- Minuterie
- Cuisson différée
- Utilisation de la fonction Nettoyage
- Utilisation de la fonction Mode Sabbat
- Utilisation de la fonction iQ Control
- Pour démarrer le four à distance
- Verrouillage des commandes
- Paramètres

Utilisation de la fonction Cuisson santé



1. Glissez le doigt sur l'écran jusqu'à la fonction **Cuisson santé**. L'écran affiche les options de cuisson spécialisées.



2. Appuyez sur l'option de cuisson de votre choix.

La fonction Cuisson santé procure 5 options différentes de cuisson spécialisée.

Aliment	Plage de température	Température par défaut	Hauteur de grille
Pomme de terre au four	De 175 °F (80 °C) à 550 °F (285 °C)	375 °F (190 °C)	3
Poulet grillé	De 175 °F (80 °C) à 550 °F (285 °C)	375 °F (190 °C)	3
Darne de saumon	High/Medium/Low (Élevée/Moyen/Faible)	High (Élevée)	3
Filet de poisson blanc	De 175 °F (80 °C) à 550 °F (285 °C)	400 °F (205 °C)	3
Légumes rôtis	De 175 °F (80 °C) à 550 °F (285 °C)	375 °F (190 °C)	3

Utilisation du four

Aliment	Instruction
Pomme de terre au four	<ul style="list-style-type: none">Le mode Pomme de terre au four est spécialement conçu pour cuire des pommes de terre ou des pommes de terre douces.
Poulet grillé	<ul style="list-style-type: none">Le mode Poulet grillé est spécialement conçu pour cuire des morceaux de poulet ou des blancs de poulet. Pour éviter un brunissage excessif et un dessèchement de la peau, enveloppez chaque morceau ou blanc d'une feuille d'aluminium.
Darne de saumon	<ul style="list-style-type: none">Le mode Darne de saumon est spécialement conçu pour cuire les steaks de saumon.
Filet de poisson blanc	<ul style="list-style-type: none">Le mode Filet de poisson blanc est spécialement conçu pour cuire les filets de poisson blanc ou les filets de cabillaud.
Légumes rôtis	<ul style="list-style-type: none">Le mode Légumes rôtis est spécialement conçu pour cuire différents types de légumes tels que les pommes de terre, aubergines, courgettes, carottes, etc.

REMARQUE

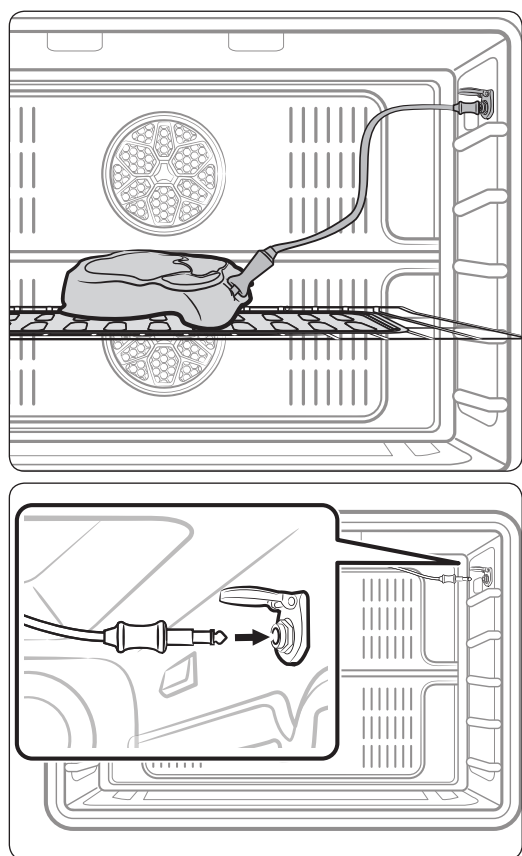
Il n'est pas nécessaire de préchauffer le four.

Utilisation de la sonde de température

Pour de nombreuses viandes, en particulier les rôtis et la volaille, le meilleur moyen de déterminer si les aliments sont bien cuits, c'est de mesurer la température interne. La sonde de température vous permet de faire cuire de la viande à la température interne exacte de votre choix. Cette fonction peut être utilisée avec la Cuisson, Cuisson par convection, Rôtissage par convection ou la Pro Convection. Une fois que la température interne des aliments atteint 100 °F, l'augmentation de la température interne sera affichée à l'écran.

Comment utiliser la sonde de température ?

1. Piquez la sonde dans la viande pour que la pointe de la sonde atteigne le centre de la viande.



- Insérez la sonde complètement dans la viande comme indiqué dans les illustrations. Elle ne doit pas toucher les os, le gras ou les cartilages. Si la sonde n'est pas complètement insérée dans la viande, la fonction Sonde de température ne fonctionne pas correctement car la sonde détecte la température du four, et non la température de la viande.
- Pour la viande non désossée, insérez la sonde au centre de la partie la plus basse et la plus épaisse du morceau.
- Pour toute la volaille (dinde, gros poulets, etc.), insérez la sonde dans la partie la plus épaisse de l'intérieur des cuisses, parallèlement à la patte.
- Si vous activez la fonction Garde-au-chaud pour maintenir la viande au chaud après la cuisson en utilisant la fonction Sonde de température, la viande risque d'être trop cuite.

Utilisation du four

2. Branchez la sonde de température dans la prise de la paroi côté supérieur du four.
3. Faites glisser votre doigt sur la fonction de cuisson de votre choix (Cuisson, Cuisson par convection, Rôtissage par convection ou Pro Convection). Sélectionnez le mode de cuisson de votre choix. Réglez la température de cuisson. (Reportez-vous à la page 43.)
4. Appuyez sur **Sonde de température**, et utilisez le pavé numérique pour régler la température interne souhaitée.

Températures disponibles	100 °F à 200 °F
--------------------------	-----------------

5. Appuyez sur **DÉMARRER**. Lorsque la température interne souhaitée est atteinte, la fonction s'arrête automatiquement et une alarme est émise.

ATTENTION

Ne laissez pas la pointe de la sonde dépasser de la viande. Assurez-vous que la pointe est au centre ou près de la partie la plus épaisse de la viande.

ATTENTION

- Afin de ne pas endommager la sonde, ne la laissez pas dans le four pour d'autres finalités que celles pour lesquelles elle est destinée.
- Pour éviter de rompre la pointe de la sonde, décongelez complètement vos aliments.
- Afin de ne pas endommager la sonde, ne la laissez pas dans le four pour d'autres finalités que celles pour lesquelles elle est destinée. Cela peut endommager la sonde.
- N'utilisez la sonde de température que pour la cuisson avec la fonction Sonde de température.

REMARQUE

- Si vous retirez la sonde de température alors que la fonction Sonde de température est en cours de fonctionnement ou si vous insérez la sonde de température lors d'une cuisson normale, la cuisson s'arrêtera au bout d'une minute.
- Si vous utilisez la sonde pour cuire des aliments surgelés, dans certains cas elle ne peut pas être détectée. (L'icône de la sonde n'apparaît pas à l'écran.)

Tableau des températures

Type d'aliment		Température interne (°F)
Bœuf / Agneau	Saignant	140-150
	À point	160-170
	Bien cuit	175-185
Porc		175-185
Volaille		185-195

REMARQUE

Si vous couvrez la viande avec du papier aluminium et si vous la laissez reposer pendant 10 minutes après la cuisson, la température interne augmentera de 5 à 10 degrés.

Retrait de la sonde de température

Débranchez la sonde de température puis retirez-la de la viande. Stockez la sonde de température dans un endroit à part et ne la laissez pas branchée à la prise.

ATTENTION

Après la cuisson, la sonde de température est encore chaude et peut entraîner des brûlures. Laissez-la refroidir avant d'essayer de la retirer.

Utilisation du four

Utilisation de la fonction nettoyage

Autonettoyage

Durant l'auto-nettoyage, le four atteint des températures largement supérieures aux températures de cuisson afin de brûler et de réduire les résidus d'aliments en poudre fine facile à essuyer à l'aide d'un chiffon humide.

ATTENTION

- Durant le cycle d'autonettoyage, les parois externes du four peuvent devenir extrêmement chaudes au toucher. **Ne laissez jamais** les enfants en bas âge sans surveillance à proximité de l'appareil.
- Certains oiseaux sont extrêmement sensibles aux fumées émises durant les cycles d'auto-nettoyage, et ce, quel que soit le four. Déplacez les oiseaux dans une autre pièce bien aérée.
- La porte du four se verrouille pendant l'auto-nettoyage. **Ne forcez jamais** l'ouverture de la porte du four. Vous risqueriez d'endommager le système de verrouillage automatique de la porte. Soyez vigilant lorsque vous ouvrez la porte du four une fois le cycle d'auto-nettoyage terminé. Pour permettre à l'air chaud ou vapeur de s'échapper, maintenez-vous sur le côté du four lorsque vous ouvrez la porte. Le four peut encore être **TRÈS CHAUD**.

Autonettoyage

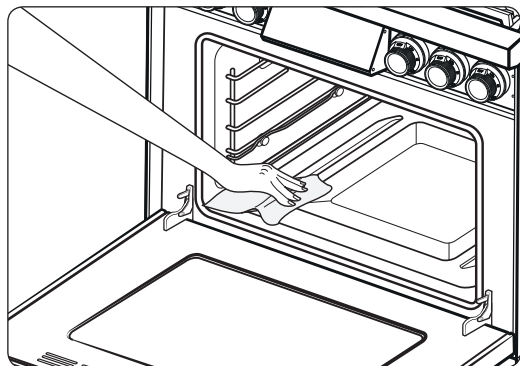


Fig. 1

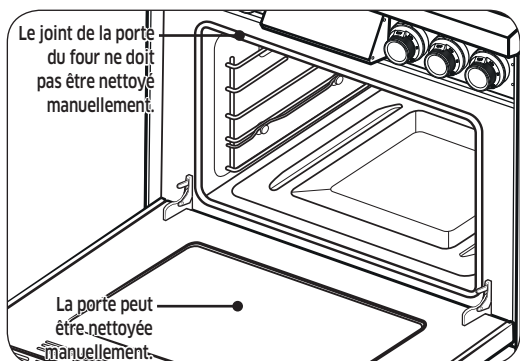


Fig. 2

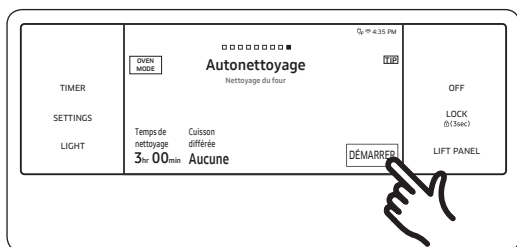
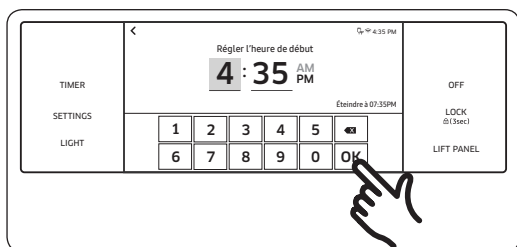
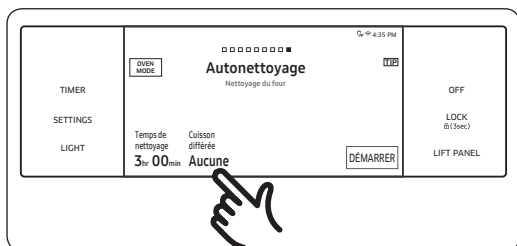
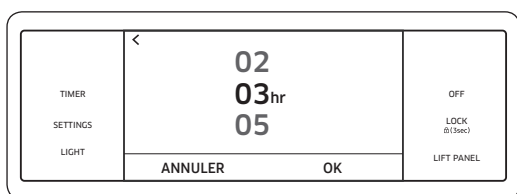
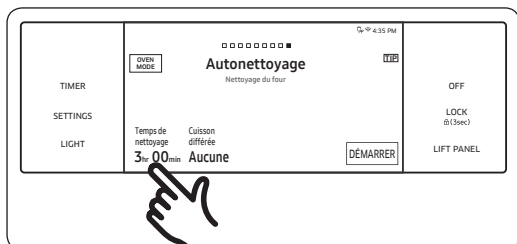
REMARQUE

- Pour plus de détails sur le retrait des grilles, reportez-vous aux pages 48 et 50.
- Pour plus de détails sur le retrait des supports de grille, reportez-vous à la page 85.

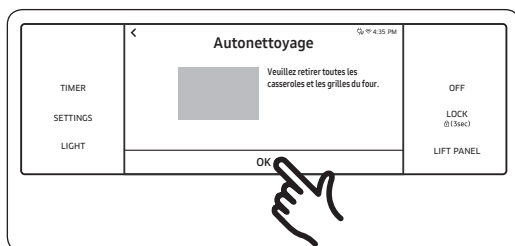
- Aérez convenablement la cuisine pendant un cycle d'auto-nettoyage.
- Retirez les grilles, les supports de grille et tous les éléments étrangers/détachés du four.
- Essuyez les résidus qui se trouvent au fond du four. (Fig. 1).
- Nettoyez la porte du four et le cadre avant autour du joint à l'aide d'eau chaude et d'un tampon à récurer imbibé de savon ou d'un nettoyant non abrasif. Rincez à l'eau claire et essuyez pour sécher.
- Le joint de la porte du four est fragile et ne supporte pas de nettoyage à la main. Ne nettoyez pas le joint en lui-même. Si le joint s'use ou se rétracte, faites-le remplacer.
- Assurez-vous que la protection de l'éclairage du four est en place et que l'éclairage du four est éteint.

Utilisation du four

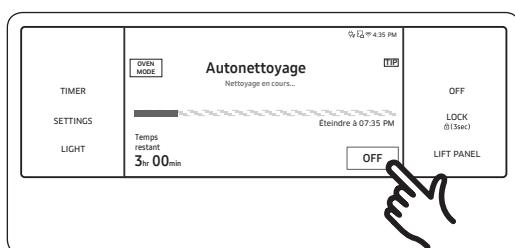
Démarrage d'un cycle d'autonettoyage



1. Glissez le doigt sur l'écran jusqu'à Nettoyage.
2. Appuyez sur **Autonettoyage**.
3. Appuyez sur **Temps de nettoyage**.
4. Faites défiler l'écran pour sélectionner le temps de nettoyage. Vous avez le choix entre 2 heures, 3 heures ou 5 heures. (Par défaut, il est réglé sur 3 heures.)
5. Appuyez sur **OK**.
6. Si vous ne souhaitez pas utiliser la fonction Cuisson différée, passez à l'étape 8. Sinon, appuyez sur **Cuisson différée** puis passez à l'étape 7.
7. Réglez l'heure à laquelle vous souhaitez que l'auto-nettoyage commence, puis appuyez sur **OK**.
8. Appuyez sur **DÉMARRER** pour commencer l'auto-nettoyage. Le verrouillage entraîné par moteur de la porte s'enclenche automatiquement.



9. Retirez tous les moules, les grilles et les filtres du four.



10. Si vous devez arrêter ou interrompre un cycle d'auto-nettoyage, appuyez sur **OFF**.

REMARQUE

- Vous ne pourrez pas démarrer le cycle d'auto-nettoyage si la fonction de verrouillage des commandes est activée ou si la température du four est trop élevée.
- Les portes du four se verrouillent automatiquement. L'écran affiche le temps de nettoyage restant. Vous ne pouvez pas ouvrir les portes du four tant que la température n'est pas descendue à une température sans danger/basse.
- N'utilisez pas les brûleurs de la table de cuisson pendant le mode d'auto-nettoyage.

Après un cycle d'auto-nettoyage

- Il est possible que de la cendre reste dans le four. Essayez-la à l'aide d'un torchon humide une fois le four refroidi (Si la cendre laisse des traces blanches, effacez-les à l'aide d'un tampon à récurer imbibé de savon et rincez abondamment à l'aide d'une solution d'eau et de vinaigre blanc).
- Si le four n'est toujours pas propre après un cycle, répétez le cycle.
- Le four ne peut être réglé pour la cuisson tant qu'il n'a pas refroidi suffisamment pour permettre l'ouverture de la porte.



Utilisation du four

Utilisation de la fonction mode sabbat

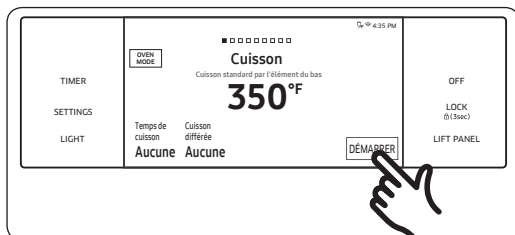
(Utilisée pour les fêtes et le Shabbat juifs)



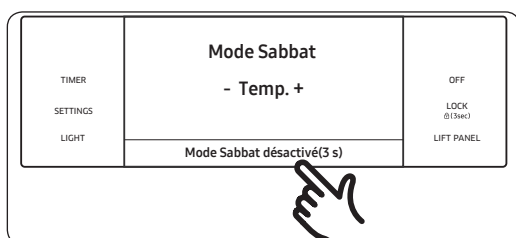
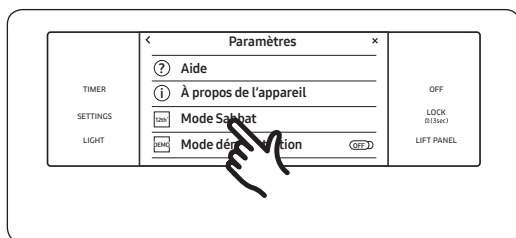
Pour en savoir plus et obtenir des instructions d'utilisation et une liste complète des modèles avec la fonction Mode Sabbat, rendez-vous sur : <http://www.star-k.org>.

Vous pouvez utiliser la fonction Mode Sabbat avec la cuisson uniquement. La température du four peut être montée ou baissée après avoir réglé la fonction Mode Sabbat. (La fonction de réglage de la température du four ne doit être utilisée que pendant les fêtes juives.) Cependant, l'affichage ne change pas et les signaux sonores ne sont pas émis lors des changements. Une fois le four correctement réglé pour la cuisson avec la fonction Mode Sabbat activée, le four reste allumé jusqu'à l'annulation de la fonction Mode Sabbat. Ce réglage écrase la fonction 12 hour energy-saving (Économie d'énergie 12 heures), qui est réglée par défaut. Si vous souhaitez allumer l'éclairage du four durant le Sabbat, appuyez sur **LIGHT (ÉCLAIRAGE)** avant d'activer la fonction Sabbat. Une fois l'éclairage du four allumé et la fonction Mode Sabbat activée, l'éclairage du four reste allumé jusqu'à la désactivation de la fonction Mode Sabbat. Si vous souhaitez éteindre l'éclairage du four, assurez-vous de le désactiver avant d'activer la fonction Mode Sabbat.

Utilisation de la fonction Mode Sabbat



1. Glissez le doigt sur l'écran jusqu'au mode Cuisson.
2. Réglez la température et le temps de cuisson que vous souhaitez.
3. Appuyez sur **DÉMARRER**.



- Appuyez sur **SETTINGS (PARAMÈTRES)** > **Mode Sabbat** pour utiliser la fonction Mode Sabbat.

Le four n'émet pas de signal sonore ou n'affiche aucune modification. Vous pouvez modifier la température du four une fois la cuisson commencée. N'oubliez pas que le four n'émet pas de signal sonore et que l'affichage reste inchangé une fois la fonction Mode Sabbat activée.

- Vous pouvez arrêter le four à tout moment en appuyant sur **OFF**. Veuillez noter que cela ne permet pas de désactiver le mode Mode Sabbat.
- Pour désactiver le mode Mode Sabbat, maintenez votre doigt appuyé sur **Mode Sabbat désactivé** pendant 3 secondes.

- ★ N'essayez pas d'activer une fonction de programme autre que Cuisson pendant que la fonction Mode Sabbat est activée.
- 📄 Après avoir changé la température alors que l'appareil est en mode Sabbat, l'appareil ne reconnaît le changement qu'après un délai de 15 secondes environ.
- 📄 Vous pouvez régler la fonction Temps de cuisson avant d'activer la fonction Mode Sabbat.
- 📄 En cas de panne électrique, le four s'éteint. Lors de la remise sous tension, le four ne se rallume pas. **Mode Sabbat** s'affiche sur le panneau de commande, mais le four n'est pas allumé. Les plats peuvent être retirés du four en toute sécurité durant le mode Mode Sabbat mais le four reste inutilisable jusqu'à la fin du Sabbat, où vous pourrez appuyer pendant 3 secondes sur le bouton **Mode Sabbat désactivé**.
- ★ N'ouvrez pas la porte du four ni ne changez pas la température du four pendant environ 30 minutes après avoir lancé le mode Mode Sabbat afin que le four atteigne la température spécifiée. Notez que, pour de meilleures performances, le ventilateur du four ne fonctionne que lorsque la température du four augmente.

Utilisation du four

Utilisation de la fonction iQ Control

Pour utiliser la fonction iQ Control du four, vous devez télécharger l'application SmartThings sur un appareil mobile. Les fonctions pouvant être actionnées à l'aide de l'application SmartThings peuvent ne pas fonctionner avec fluidité si les conditions de communication sont mauvaises ou si le four est installé dans un endroit avec un faible signal Wi-Fi.

Un amplificateur de signal Wi-Fi peut être nécessaire. L'amplificateur de signal Wi-Fi n'est pas fourni par Dacor.

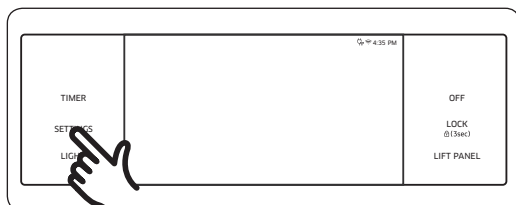
Reportez-vous au tableau suivant pour connaître les principales fonctions pouvant être actionnées depuis l'application.

Lorsque la fonction iQ Control du four est désactivée	Surveillance (four, sonde), arrêt du four
Lorsque la fonction iQ Control du four est activée.	Surveillance (four, sonde), arrêt du four, contrôle des erreurs

Comment connecter le four ?

1. Téléchargez et ouvrez l'application SmartThings sur votre appareil mobile.
2. Suivez les instructions affichées à l'écran de l'application pour connecter votre four.
3. Une fois le processus terminé, l'icône  connecté, située sur l'écran de votre four, ainsi que l'application vous confirmeront que vous êtes connecté.
4. Si l'icône de connexion n'apparaît pas, suivez les instructions sur l'application pour vous reconnecter.

Pour démarrer le four à distance



Appuyez sur **SETTINGS (PARAMÈTRES)** > Connexions > Control iQ, puis appuyez sur **ON**.

Lorsque la fonction iQ Control est activée, vous pouvez :

- modifier à distance les réglages du four (mode, durée, température) à l'aide de votre appareil mobile ;
- éteindre/allumer le four à distance.

REMARQUE

Important : Le mode Autonettoyage ne peut pas être activé à distance.

REMARQUE

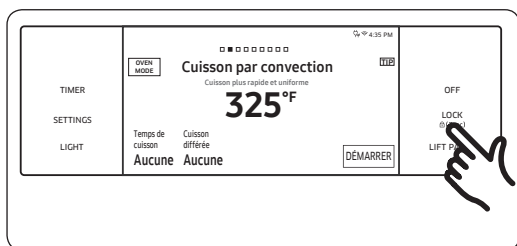
- L'ouverture de la porte du four désactivera la fonction iQ Control et vous évitera d'allumer le four ou de le contrôler à distance.
- Si la fonction iQ Control est désactivée, vous pouvez quand-même surveiller le statut du four et éteindre ce dernier.
- Lorsque la cuisson au four est terminée ou annulée, la fonction iQ Control se désactive.

Utilisation du four

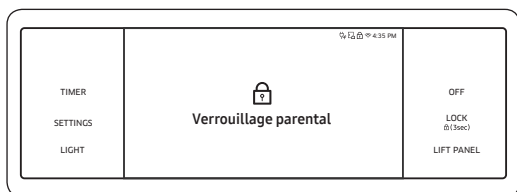
Verrouillage parental

Cette fonction rend le Touchpad inutilisable et verrouille la porte du four. Vous ne pouvez activer la fonction Verrouillage parental que lorsque le four est en mode veille.

Comment activer la fonction de verrouillage parental ?



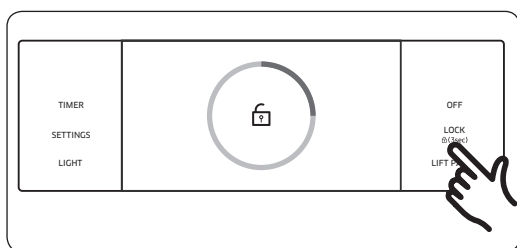
1. Annulez ou désactivez toutes les fonctions.
2. Appuyez sur **LOCK (VERROUILLER)** pendant 3 secondes.
3. L'écran Verrouillage parental s'affiche ; l'icône de verrou apparaît dans la partie inférieure de l'écran.



REMARQUE

- La fonction Verrouillage parental est disponible uniquement lorsque la température du four est inférieure à 400 °F.
- Toutes les autres fonctions doivent être annulées avant d'activer la fonction Verrouillage parental.

Comment déverrouiller les commandes ?



1. Appuyez sur **LOCK (VERROUILLER)** pendant 3 secondes. La confirmation de verrouillage parental ainsi que l'icône du verrou disparaissent de l'écran.

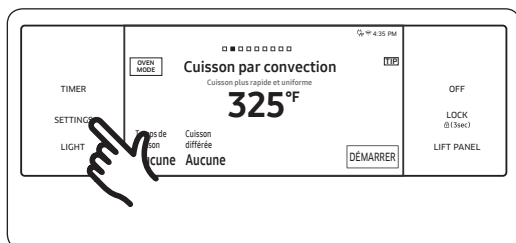
REMARQUE

Le déverrouillage de la porte peut prendre jusqu'à 10 secondes.



Paramètres

Sur Paramètres, vous pouvez modifier les paramètres par défaut selon vos préférences ou diagnostiquer des problèmes avec la connexion réseau.



Appuyez sur **SETTINGS (PARAMÈTRES)**. L'élément Paramètre s'affiche.

Wi-Fi

Pour activer une connexion Wi-Fi

1. Appuyez sur **SETTINGS (PARAMÈTRES)** > **Connexions** > **Wi-Fi**, puis appuyez sur **ON** sur l'écran de droite.
2. Appuyez sur **Wi-Fi** puis sur un réseau Wi-Fi dans la liste qui apparaît.
3. Vous serez invité à fournir un mot de passe pour des raisons de sécurité sur le réseau. Entrez le mot de passe.

Pour entrer manuellement une adresse IP

1. Appuyez sur **SETTINGS (PARAMÈTRES)** > **Connexions** > **Wi-Fi**, puis appuyez sur **ON** sur l'écran de droite.
2. Appuyez sur **Wi-Fi**, puis appuyez sur **Ajouter un réseau**.
3. Entrez une adresse IP manuellement, pour appuyez sur **CONNEXION** pour appliquer vos paramètres.

REMARQUE

- Pour désactiver une connexion Wi-Fi, appuyez sur **SETTINGS (PARAMÈTRES)** > **Wi-Fi**, puis appuyez sur **OFF** sur l'écran de droite.
- Pour plus de détails sur la connexion Wi-Fi et sur l'utilisation de l'application SmartThings, consultez le manuel d'utilisation de l'application SmartThings.





Utilisation du four

Affichage

- **Luminosité**

Vous pouvez modifier la luminosité de l'écran d'affichage.

- Appuyez sur **SETTINGS (PARAMÈTRES) > Affichage > Luminosité**, puis utilisez la barre située à côté de l'élément Luminosité pour régler la luminosité de l'écran.

- **Écran de veille**

Si l'économiseur d'écran est éteint, les menus Thème de l'horloge et Délai d'attente sont désactivés.

- Appuyez sur **SETTINGS (PARAMÈTRES) > Affichage > Écran de veille**, puis appuyez sur **OFF** sur l'écran de droite.

- **Thème de l'horloge**

- Appuyez sur **SETTINGS (PARAMÈTRES) > Affichage > Thème de l'horloge**, puis appuyez sur l'écran de droite. Vous pouvez sélectionner un thème.

- **Délai d'attente**

- Appuyez sur **SETTINGS (PARAMÈTRES) > Affichage > Délai d'attente**, puis appuyez sur l'écran de droite. Vous pouvez sélectionner une durée de 5 minutes à 60 minutes.

Température

- **Temp unit (Unité de température)**

Le four peut être programmé pour afficher la température en degrés Fahrenheit (par défaut) ou Celsius.

- Appuyez sur **SETTINGS (PARAMÈTRES) > Température > Unité de température**, puis appuyez sur l'écran de droite. Vous pouvez choisir °C ou °F.

- **Réglage de la température**

Les températures du four ont été étalonnées en usine. Lorsque vous utilisez votre four pour la première fois, veillez à respecter les temps et températures de cuisson.

Si vous pensez que la température est trop élevée ou trop basse, vous pouvez la corriger une nouvelle fois. Avant de la corriger, essayez une recette en sélectionnant une température supérieure ou inférieure à celle recommandée.

Les résultats de cuisson devraient vous aider à déterminer le réglage adapté. La température du four peut être réglée à ± 35 °F (± 19 °C).

- Appuyez sur **SETTINGS (PARAMÈTRES) > Température > Réglage de la température**, puis appuyez sur l'écran de droite.

REMARQUE

Ce réglage n'affecte en rien les températures du gril ou du cycle d'autonettoyage. Le réglage sera conservé en mémoire même après une coupure de courant.



Capacité

Permet de régler le niveau de volume des signaux sonores et des mélodies.

- Appuyez sur **SETTINGS (PARAMÈTRES) > Volume**, puis utilisez la barre située à côté de l'élément Volume pour régler le volume.

Éclairage

La cuisinière Pro de Dacor dispose de deux fonctions d'éclairage distinctes : « Éclairage vers le bas » et « Éclairage de bienvenue ».

« Éclairage vers le bas » est une fonction qui éclaire les boutons à l'aide de la DEL située au-dessus d'eux.

« Éclairage de bienvenue » est un type d'éclairage appliqué lorsque vous soulevez l'écran DEL.

- Pour ajuster l'éclairage Indicateur, appuyez doucement sur **SETTINGS (PARAMÈTRES) > Éclairage**, puis sélectionnez **On**, **Automatique** ou **Off**.
- Pour ajuster l'éclairage Indicateur, appuyez doucement sur **SETTINGS (PARAMÈTRES) > Éclairage**, puis sélectionnez **On** ou **Off**.

Économie d'énergie 12 heures

Si vous laissez le four allumé, cette fonction assure la désactivation automatique du four après 12 heures d'utilisation des fonctions de cuisson ou après 3 heures d'utilisation de la fonction Gril.

1. Appuyez sur **SETTINGS (PARAMÈTRES) > Économie d'énergie 12 heures**, puis appuyez sur **ON** sur l'écran de droite.
2. L'icône Économie d'énergie 12 heures apparaît sur la zone de voyants.

iQ Control

Pour démarrer le four à distance.

- Appuyez sur **SETTINGS (PARAMÈTRES) > Connexions > Control iQ**, puis sur **ON**. (Reportez-vous à la section Utilisation de la fonction iQ Control en page 66.)

Connexion facile

La fonction Connexion facile vous permet de configurer facilement les paramètres réseau y compris la procédure d'authentification.

- Appuyez sur **SETTINGS (PARAMÈTRES) > Connexions > Connexion facile**, puis appuyez sur **CONNEXION**.

Utilisation du four

Connectivité à la hotte

En connectant la hotte, celle-ci s'allume et s'éteint automatiquement lorsque vous utilisez la surface de cuisson.

1. Appuyez doucement sur **SETTINGS (PARAMÈTRES) > Connexions > Connectivité à la hotte.**
2. Activez la connexion Bluetooth sur la hotte.
3. Appuyez doucement sur **CONNEXION** sur l'écran LCD pour connecter la hotte.

	Cuisinière avec contrôle de la hotte	Hotte
Modèle	DOP36M96GL*	DHD30M967W* DHD36M967I* DHD36M987W* DHD48M967I* DHD48M987W*

Aide

Aide fournit des astuces et informations utiles sur un élément spécifique que vous sélectionnez.

1. Dépannage
 - Permet de vérifier un point de contrôle à l'écran, et d'essayer les suggestions proposées pour résoudre le problème.
2. Guide pour la première utilisation
 - Permet de fournir des instructions simples sur l'utilisation basique du four.

À propos de l'appareil

Vous pouvez consulter des informations concernant le four et effectuer une mise à jour logicielle. Pour mettre à jour le logiciel :

1. Appuyez sur **SETTINGS (PARAMÈTRES) > À propos de l'appareil > Mise à jour logicielle**, puis appuyez sur **Mettre à jour** sur l'écran de droite.
2. Appuyez sur **INSTALLER**. Le logiciel est mis à jour et le système redémarre automatiquement.

Mode Sabbat

Vous pouvez régler le mode Mode Sabbat. Reportez-vous à la section **Utilisation de la fonction mode sabbat** en page 64.

Gestion à distance

Le centre d'assistance accèdera à votre produit à distance afin de vérifier les fonctions internes en cas de problème.

- Appuyez sur **SETTINGS (PARAMÈTRES) > Connexions > Gestion à distance**, puis appuyez sur **ACTIVER**.

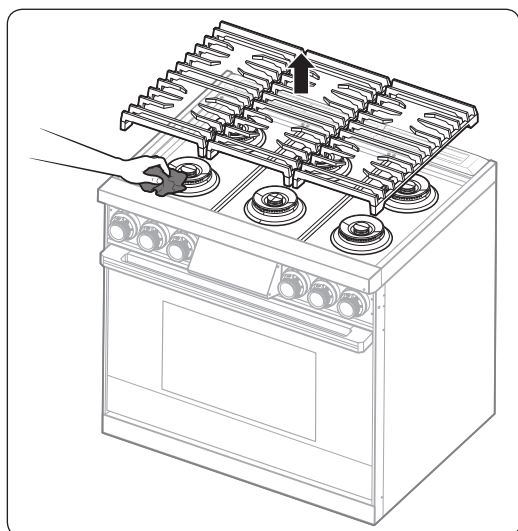
Précautions d'entretien : table de cuisson

! AVERTISSEMENT

Avant de nettoyer une quelconque partie de la table de cuisson, assurez-vous que l'alimentation est coupée et que toutes les surfaces sont froides. Il est obligatoire de porter des gants pendant le nettoyage. Certains brûleurs et certaines pièces de la table de cuisson ont des bords tranchants. Faites attention pendant le nettoyage.

Nettoyage de la surface de la table de cuisson

Nettoyez les projections dès que possible.



1. Éteignez tous les brûleurs.
2. Une fois que les grilles ont suffisamment refroidi, retirez-les.
3. Nettoyez la surface de la table de cuisson à l'aide d'un chiffon doux. Si des projections sont entrées dans les composants d'un brûleur, retirez le chapeau et la tête du brûleur puis essuyez les salissures.
4. Une fois le nettoyage terminé, réinstallez les brûleurs et repositionnez les grilles.

! ATTENTION

Ne lavez pas les grilles des brûleurs au lave-vaisselle.

Précautions d'entretien : table de cuisson

Surfaces en acier inoxydable

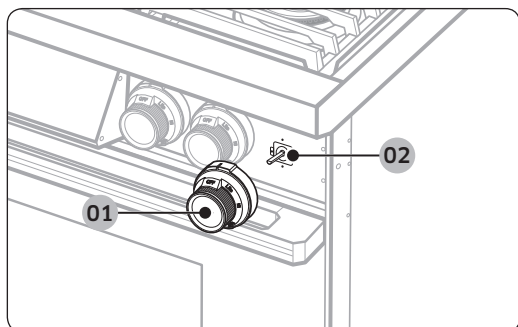
1. Retirez toutes les traces de projections, les taches et la graisse à l'aide d'un chiffon doux humide.
2. Appliquez un nettoyeur adapté à l'acier inoxydable sur un chiffon ou une serviette en papier.
3. Nettoyez une petite zone à la fois, en frottant si possible l'inox dans le sens du grain.
4. Séchez la surface à l'aide d'un chiffon doux et sec.
5. Répétez les étapes 2 à 4 si nécessaire.

ATTENTION

- N'utilisez pas d'objets (p. ex. tampon à récurer métallique, grattoir, nettoyeur abrasif, solution d'alcali caustique (hydroxyde de sodium)) pouvant abîmer l'acier et endommager les composants.
- Ne retirez pas le plateau de propreté pour le nettoyer. Les conduits de gaz alimentant les coupelles de brûleurs peuvent être endommagés entraînant un incendie ou une défaillance du système.
- Ne versez pas d'eau sur la table de cuisson. L'eau pourrait s'infiltrer dans les systèmes au gaz et électriques et provoquer une décharge électrique ou des émissions dangereuses de monoxyde de carbone (CO) via les ports/robinets de gaz rouillés.
- Ne vaporisez aucun type d'agent nettoyeur dans les orifices de la coupelle. Le système d'allumage présent à l'intérieur de ces derniers doit rester sec.

Boutons de commande

Éteignez tous les boutons des brûleurs.



01 Saisissez chaque bouton et tirez-le pour le retirer.

02 Tige de vanne Ne l'enlevez pas.

1. Enlevez les boutons de leurs tiges de vannes.
2. Nettoyez les boutons avec de l'eau chaude et savonneuse puis rincez-les et essuyez-les minutieusement.
3. Nettoyez les surfaces en inox à l'aide d'un nettoyeur adapté.
4. Réinstallez les boutons sur les tiges des vannes de commande en position **OFF**.

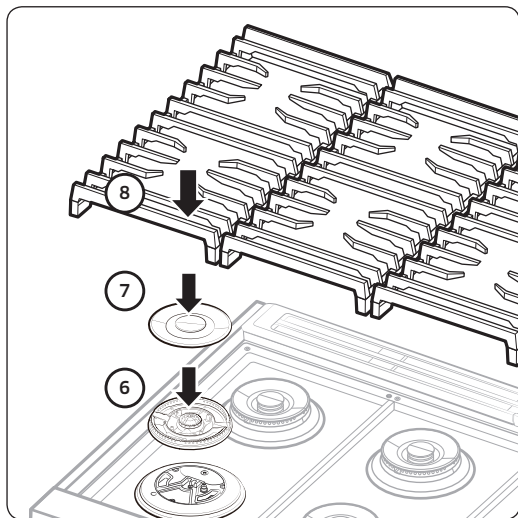
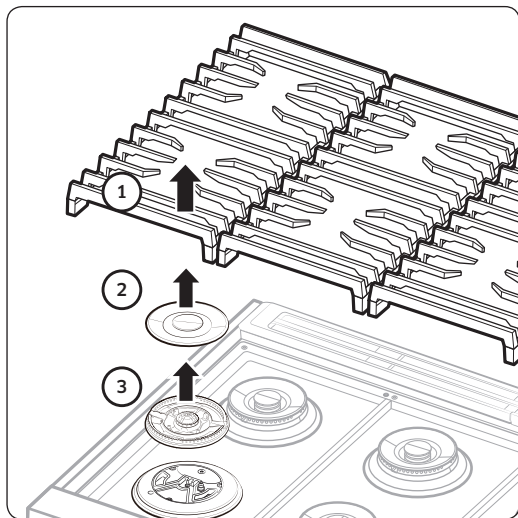
⚠ ATTENTION

- Ne lavez pas les boutons de commande dans un lave-vaisselle.
- Ne vaporisez pas de produits de nettoyage directement sur le tableau de commande. L'humidité pénétrant dans les circuits électriques peut provoquer un choc électrique ou endommager l'appareil.

Précautions d'entretien : table de cuisson

Grilles et composants des brûleurs

Éteignez tous les brûleurs de surface et assurez-vous qu'ils ont tous refroidi.



1. Retirez les grilles des brûleurs.
2. Retirez les chapeaux des brûleurs des têtes de brûleurs.
3. Retirez les têtes de brûleurs des coupelles pour dégager les électrodes de démarrage.
4. Nettoyez les grilles et les composants des brûleurs à l'eau chaude savonneuse. (N'utilisez pas de tampons à récurer métalliques ni de nettoyeurs abrasifs.)
5. Rincez et séchez complètement les grilles et les composants des brûleurs. Assurez-vous que les orifices des brûleurs sont exempts d'eau.
6. Réinstallez les têtes des brûleurs en insérant bien une électrode de démarrage à travers l'orifice de chaque tête.

REMARQUE

Consultez la page 79 pour plus de détails sur la réinstallation des composants des brûleurs.

7. Réinstallez les composants des brûleurs restants en vous assurant que les chapeaux tiennent bien à plat sur les têtes des brûleurs.
8. Réinstallez les grilles des brûleurs sur leur emplacement respectif.
9. Allumez chaque brûleur pour vérifier qu'il fonctionne correctement puis éteignez-le.

Chapeaux et têtes des brûleurs

REMARQUE

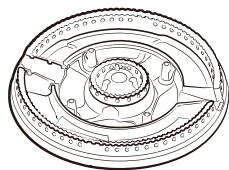
Avant de retirer les chapeaux et les têtes des brûleurs, mémorisez leur taille et leur emplacement. Réinstallez-les au même endroit qu'avant le nettoyage.

Nettoyez les chapeaux et les têtes des brûleurs à l'eau tiède savonneuse, puis rincez-les à l'eau courante propre. Vous pouvez les frotter avec un tampon à récupérer en plastique pour éliminer les particules d'aliments brûlés.

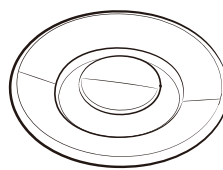
Utilisez une aiguille à coudre ou vrillez une ficelle pour déboucher les petits trous dans la tête du brûleur, si nécessaire.

ATTENTION

- Ne nettoyez aucune partie des brûleurs au lave-vaisselle.
- N'utilisez pas de paille de fer ou de poudres à récurer pour nettoyer les brûleurs.



Tête des brûleurs en laiton



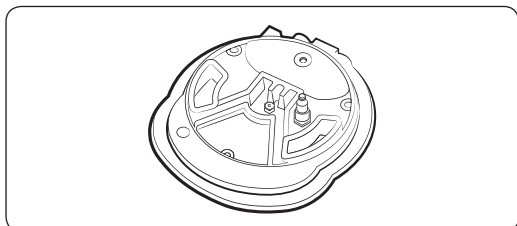
Chapeau des brûleurs en laiton

REMARQUE

- Les parties en laiton de votre brûleur changeront de couleur. Cependant, les performances ne seront pas affectées.
- Après le nettoyage, vérifiez que tous les ports des brûleurs ne sont pas obstrués.
- Vous pouvez changer les chapeaux d'origine pour des chapeaux en porcelaine si vous le souhaitez.
- Pour retirer la graisse brûlée, trempez le chapeau de brûleur en laiton dans une solution à base d'eau accompagnée soit d'une cuillère à soupe de vinaigre blanc, soit d'une cuillère à soupe de jus de citron. N'utilisez pas de brosse métallique lors de son nettoyage. Vous risquez d'endommager les pièces en laiton.

Précautions d'entretien : table de cuisson

Bases des brûleurs



⚠ ATTENTION

Les bases des brûleurs ne sont pas amovibles. Ne tentez pas de les retirer.

Assurez-vous de ne pas laisser d'eau pénétrer dans les bases des brûleurs et dans les orifices de gaz en laiton.

Essuyez-les à l'aide d'un chiffon mouillé en prenant soin de ne pas abîmer ou déformer les bases. Assurez-vous que les bases sont complètement sèches avant d'utiliser la table de cuisson.

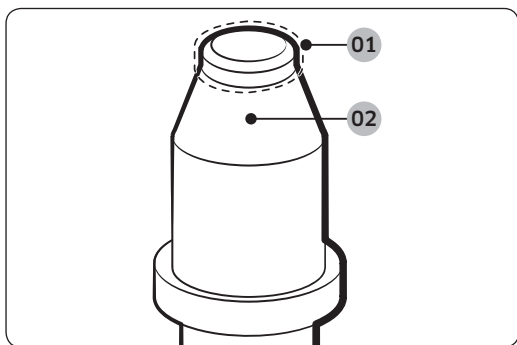
Électrodes

⚠ AVERTISSEMENT

N'ouvrez pas la vanne pendant que vous touchez l'électrode. Vous risquez de vous électrocuter.

⚠ ATTENTION

N'essayez pas de retirer l'électrode de la table de cuisson ou des bases des brûleurs.



01 Partie métallique : Nettoyez cette partie métallique.

02 Partie en céramique blanche : Ne nettoyez pas cette partie en céramique blanche avec une plaque d'aiguisage.

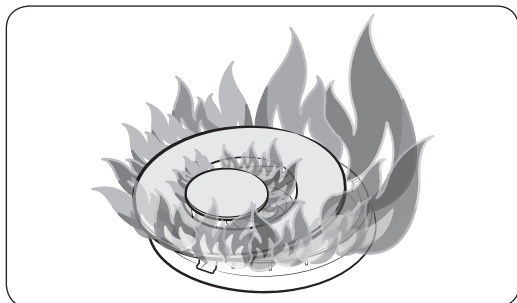
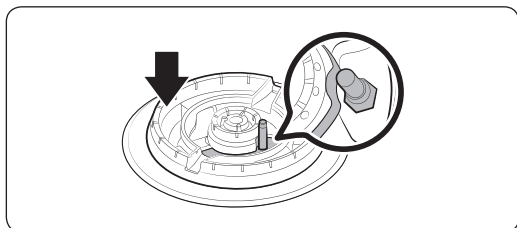
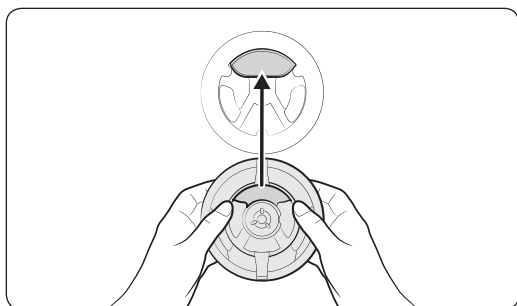
La table de cuisson ne doit jamais être allumée lorsque vous la nettoyez.

Assurez-vous que les électrodes en céramique blanche sont sèches et propres. Nettoyez la partie métallique à l'aide d'un chiffon doux. Ne nettoyez pas les allumeurs avec de l'eau.

Avant de réinstaller les brûleurs de surface, appuyez doucement sur chaque électrode en céramique blanche pour vous assurer qu'elles sont appuyées contre les bases des brûleurs.

Remplacement des chapeaux et têtes des brûleurs

Têtes/chapeaux des brûleurs doubles



1. Orientez la tête de brûleur de façon à aligner l'ouverture de l'électrode avec l'électrode.
2. Installez la tête du brûleur de façon à ce que l'électrode passe à travers son ouverture au niveau de la tête. Vérifiez que la tête du brûleur est bien à plat sur la table de cuisson.
3. Faites correspondre les chapeaux des brûleurs avec les brûleurs par taille, puis réinstallez les chapeaux sur les têtes des brûleurs.

ATTENTION

Chaque chapeau est adapté à une tête de brûleur spécifique. Vérifiez que chaque chapeau est installé à plat sur la tête du brûleur correspondant.

REMARQUE

Après avoir installé les brûleurs, vérifiez qu'ils fonctionnent correctement.

Les composants qui ne sont pas installés correctement généreront des flammes inégales ou un allumage défailant, comme sur l'illustration de gauche. Si le brûleur présente une flamme inégale et une flamme jaune excessive, éteignez immédiatement le brûleur et laissez-le refroidir. Réajustez les chapeaux des brûleurs et essayez d'allumer à nouveau le brûleur. Une bonne flamme montre une flamme régulière et toute bleue autour du brûleur.

Précautions d'entretien : four

Entretien et nettoyage du four

AVERTISSEMENT

Avant de nettoyer une quelconque partie de l'appareil, assurez-vous que l'alimentation est coupée et que toutes les surfaces sont froides.

Nettoyage des parties peintes et ornements décoratifs

- Pour le nettoyage sommaire, utilisez un torchon imbibé d'eau chaude savonneuse.
- Pour ôter les résidus incrustés et la graisse accumulée, versez un nettoyant liquide directement sur la zone et laissez agir 30 à 60 minutes. Frottez à l'aide d'un torchon humide, puis essuyez. N'appliquez jamais de matières ou substances abrasives sur l'une des surfaces du four. Vous risqueriez de les rayer.

Nettoyage des surfaces en inox

1. Secouez énergiquement une bouteille de nettoyant pour appareils en acier inoxydable ou de produit lustrant.
2. Versez-en une petite quantité sur un torchon ou du papier absorbant humide.
3. Nettoyez une petite zone, en frottant si possible l'inox dans le sens du grain de l'inox.
4. Séchez et lustrez à l'aide de papier absorbant ou d'un torchon doux propre et sec.

REMARQUE

Certaines serviettes en papier ont tendance à rayer l'inox. Faites un test à un endroit discret avant utilisation.

5. Répétez l'opération si nécessaire.

REMARQUE

- N'utilisez pas de tampon à récurer métallique. La surface serait rayée.
- Si un nettoyant à base d'huile minérale a préalablement été utilisé pour nettoyer l'appareil, nettoyez la surface à l'aide de liquide vaisselle et d'eau avant d'utiliser le nettoyant pour acier inoxydable ou le produit lustrant.

Filtre de convection

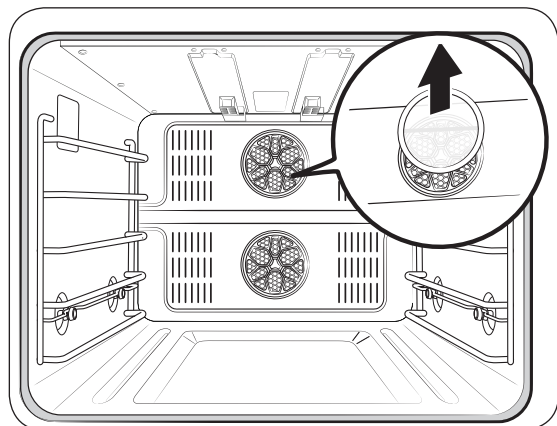
Les filtres de convection se trouvent à l'arrière de l'intérieur du four.

Nettoyez-les régulièrement. Si vous laissez les filtres se boucher, les modes de cuisson par convection du four ne fonctionneront pas correctement.

REMARQUE

Pour assurer votre sécurité et garantir des performances appropriées du four, réinstallez les filtres de convection avant de cuisiner.

Retrait du filtre de convection du four

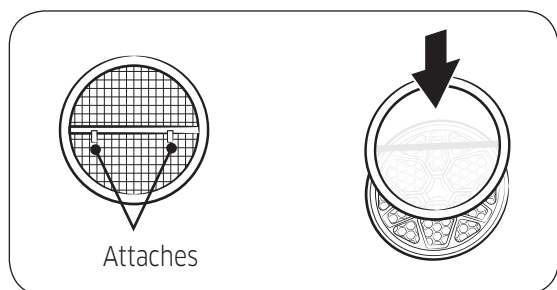


Lorsque le four est froid, placez vos doigts autour des arêtes du filtre et poussez-les délicatement.

Nettoyage du filtre

Laissez tremper le filtre dans de l'eau chaude savonneuse et rincez abondamment. Vous pouvez également le placer dans le lave-vaisselle sur la grille supérieure. Nettoyez le filtre avant de le réinstaller.

Installation du filtre de convection du four



Accrochez délicatement les attaches métalliques à l'arrière du filtre sur la barre métallique à travers le trou du ventilateur. Assurez-vous qu'il est centré sur le trou. Veillez à ne pas rayer les surfaces en porcelaine avec l'arrière du filtre.

Précautions d'entretien : four

Grilles de cuisson

- Il est recommandé de retirer les grilles, mais si vous laissez les grilles dans le four durant un cycle d'auto-nettoyage, leur couleur deviendra légèrement bleutée et l'aspect de leur surface se ternira. Une fois le cycle d'auto-nettoyage terminé et le four refroidi, essuyez les parties latérales des grilles à l'aide d'un papier sulfurisé ou d'un chiffon légèrement huilé. Cela permettra une meilleure insertion des grilles dans leurs glissières.
- Les grilles coulissantes peuvent être nettoyées à la main avec un nettoyant abrasif ou de la laine de verre. Lors du nettoyage, veillez à ne pas laisser de l'eau ou un nettoyant pénétrer dans les glissières sur les côtés de la grille.

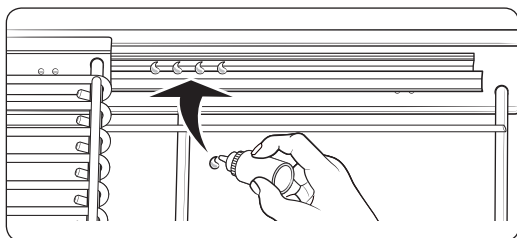
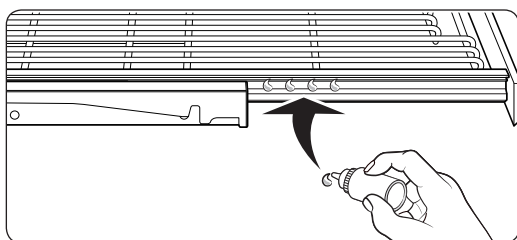
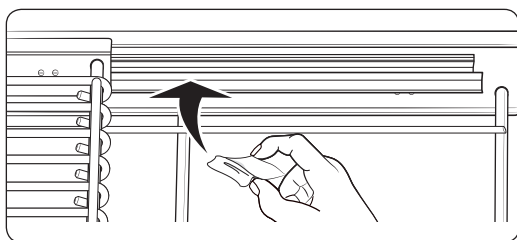
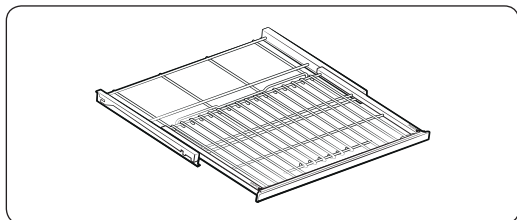
REMARQUE

- Ne nettoyez pas les grilles du four au lave-vaisselle.
- S'il devient difficile de retirer ou remplacer la grille, essayez légèrement les glissières de la grille du four avec de l'huile de cuisson. N'essayez pas l'huile de cuisson sur les glissières.
- Si la grille devient difficile à faire coulisser, il peut s'avérer nécessaire de la lubrifier avec un lubrifiant au graphite.

REMARQUE

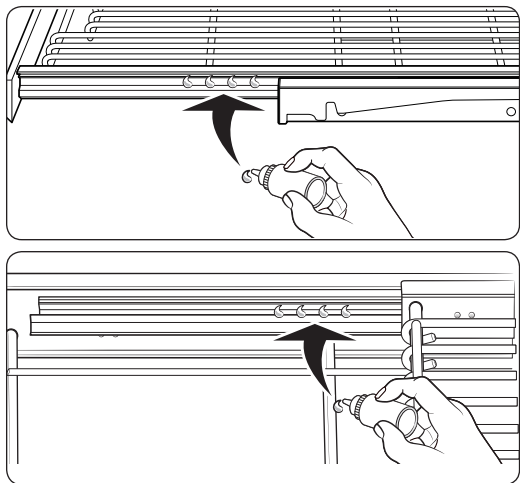
- Du lubrifiant au graphite (113614) est disponible à l'achat. Vérifiez que le lubrifiant est approuvé par la FDA.

Pour lubrifier les rails de la grille coulissante



1. Retirez la grille du four. Reportez-vous à la partie Retrait de la grille coulissante dans la section **Utilisation de la grille coulissante** en page 49.
2. Ouvrez complètement la grille sur une table ou un plan de travail. Vous pouvez placer un journal sous la grille pour vous faciliter le nettoyage.
3. Si vous constatez la présence de débris sur les glissières, essuyez-les à l'aide d'une serviette en papier. (Le lubrifiant au graphite retiré lors de l'essuyage doit être remplacé - Reportez-vous aux étapes 4 à 7.)
4. Secouez le lubrifiant au graphite avant de l'ouvrir. En commençant par le mécanisme de glissière côté gauche (avant et arrière) de la grille, posez quatre (4) petites gouttes de lubrifiant sur les deux (2) pistes inférieures de la glissière à proximité des supports.

Précautions d'entretien : four



5. Répétez l'opération sur le mécanisme de glissière côté droit (avant et arrière) de la grille.
6. Ouvrez et fermez la grille plusieurs fois pour répartir le lubrifiant.
7. Remplacez le bouchon sur le lubrifiant et secouez-le à nouveau. Retournez la grille et répétez les étapes 3, 4, 5 et 6.
8. Fermez la grille, tournez-la côté droit vers le haut et placez-la dans le four. Reportez-vous à la section **Installation de la grille coulissante**, en page 49.

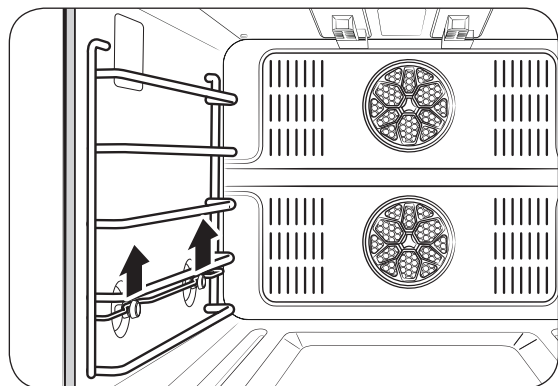
REMARQUE

Ne pulvérisez pas la matière grasse végétale en bombe ni n'utilisez pas d'autres pulvérisateurs de lubrifiant sur la grille coulissante.

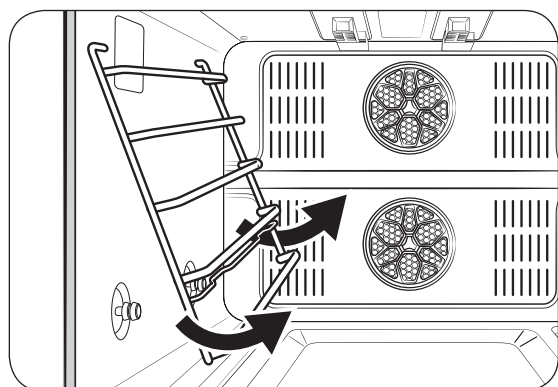
Support de la grille

Ces supports de grille peuvent être retirés pour être nettoyés. (Autonettoyage et Nettoyage manuel).

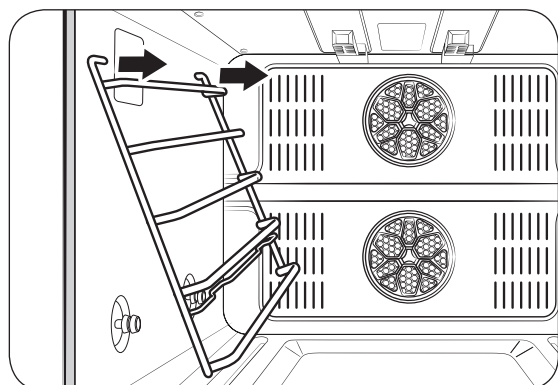
Retrait des supports de grille



1. Saisissez le centre de la grille inférieure, sur le support, et soulevez-la.



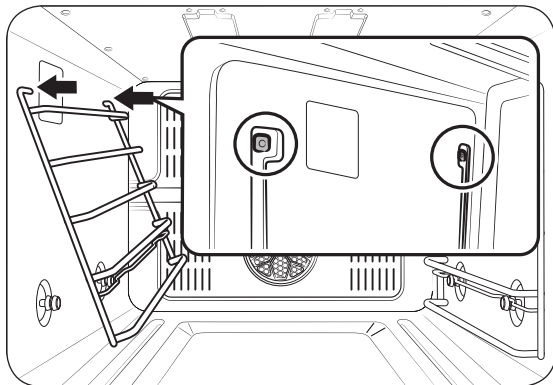
2. Inclinez le support de grille d'environ 45°.



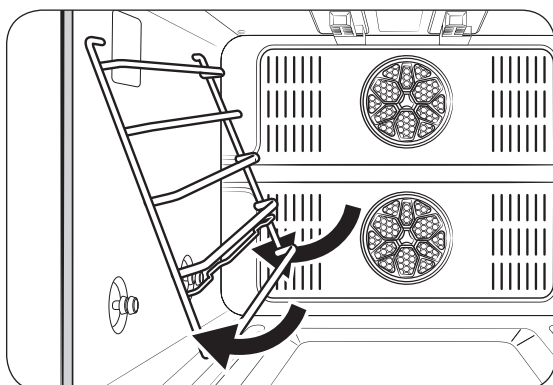
3. Tirez sur le support de grille et retirez-le des deux orifices.

Précautions d'entretien : four

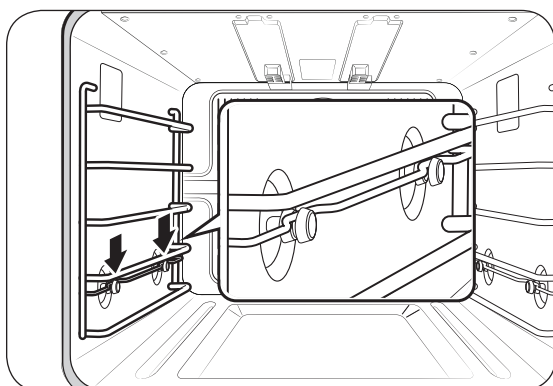
Réinstallation des supports de grille



1. Insérez les extrémités supérieures du support de grille dans les orifices correspondants dans la paroi du four.

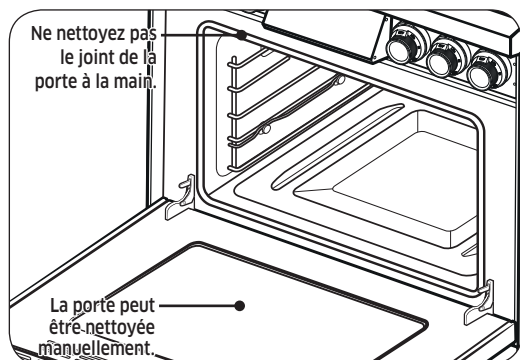


2. En saisissant la grille inférieure, faites doucement basculer le support de grille en direction de la paroi du four.



3. Soulevez la grille et poussez-la à l'intérieur afin que la grille de retenue repose entre les boutons des goujons de retenue. (Voir l'encadré de gauche.)

Porte du four



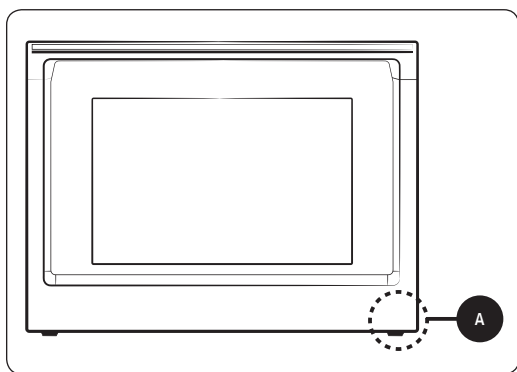
- Utilisez du savon et de l'eau pour un nettoyage minutieux des parties supérieure, latérale et frontale de la porte du four. Rincez abondamment. Utilisez un produit vitre pour nettoyer la vitre extérieure de la porte du four. **N'IMMERGEZ PAS** la porte dans de l'eau. **NE VAPORISEZ PAS** ou ne faites pas pénétrer de l'eau ou du produit vitre à l'intérieur des orifices de ventilation de la porte. **N'UTILISEZ PAS** de nettoyants pour four, de poudres à récurer ou tout autre nettoyant fortement abrasif sur la partie extérieure de la porte du four.
- **NE NETTOYEZ PAS** le joint de la porte. Le joint de la porte est constitué d'un matériau tissé essentiel à son bon fonctionnement. Veillez à ne pas froter, endommager ou retirer ce joint.

Précautions d'entretien : four

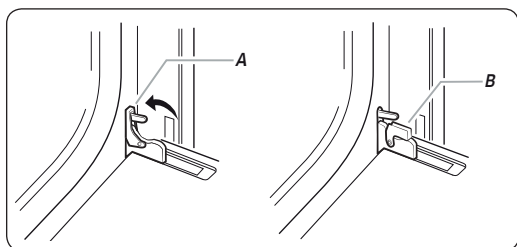
Retrait des portes du four

⚠ ATTENTION

- La porte est très lourde. Soyez prudent lorsque vous retirez et soulevez la porte.
- Ne soulevez pas la porte par la poignée.
Utilisez vos deux mains pour retirer l'une des portes du four.

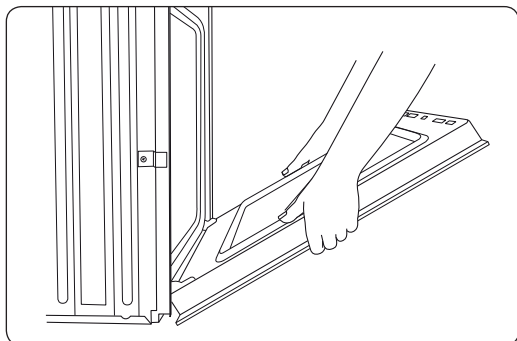


A. Fils couplés

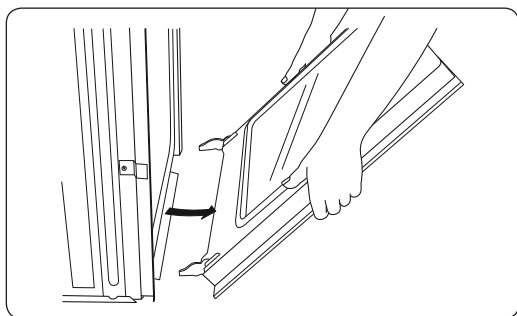


- A. Loquet de la charnière de la porte du four en position verrouillée
- B. Loquet de la charnière de la porte du four en position déverrouillée

1. Avant de retirer la porte du four, préparez une surface où vous pourrez la déposer. Cette surface doit être plane et recouverte d'une couverture douce. Vous pouvez également utiliser les montants d'angle présents dans vos matériaux d'emballage.
2. Ouvrez la porte du four.
3. Dans les coins inférieurs de la porte, faites basculer entièrement les verrous des charnières pour les déverrouiller. Dans le cas contraire, la porte ne pourra pas être retirée.



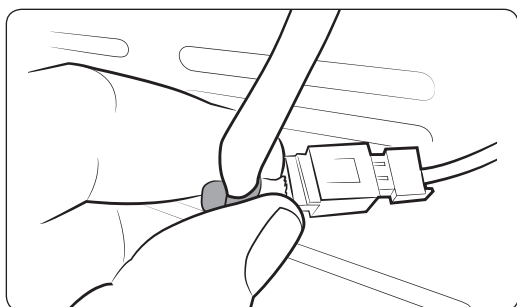
4. Fermez partiellement la porte pour engager les verrous de la charnière de la porte. La porte s'arrête à cet endroit.



5. Saisissez la porte de chaque côté sous la poignée et soulevez-la légèrement pour découvrir le câblage situé à la base.

 **REMARQUE**

Les fils couplés de la lumière DEL doit être débranchés. Placez la porte près de la cuisinière et veillez à ne pas faire tomber la porte. La partie vitrée de la porte est fragile.



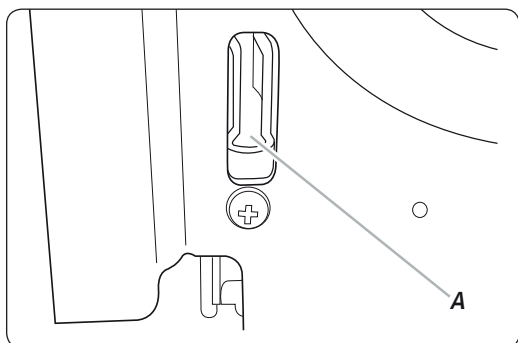
6. Débranchez les fils couplés de l'éclairage DEL en bas à droite de la porte.
7. Mettez la porte du four de côté sur la surface de travail couverte préparée au préalable avec la porte du four reposant sur sa poignée.

Précautions d'entretien : four

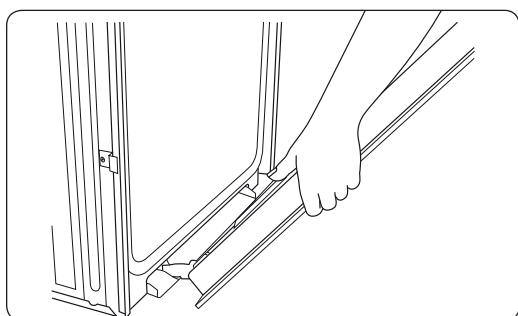
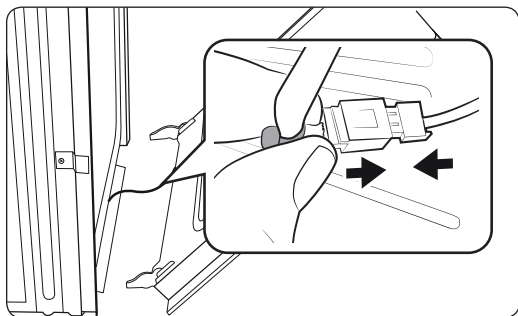
Réinstallation de la porte du four

⚠ ATTENTION

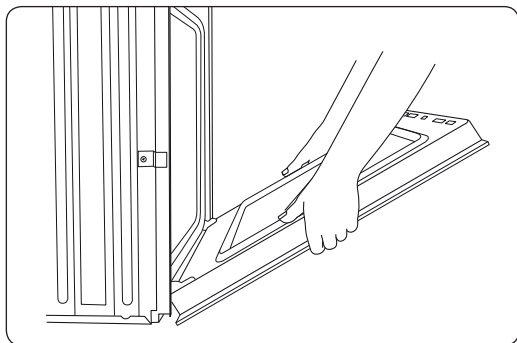
La porte est très lourde. Il se peut que vous ayez besoin d'aide pour soulever la porte suffisamment haut pour la faire glisser dans les trous de la charnière. Ne soulevez pas la porte par la poignée.



A. Trou à l'intérieur du four pour le verrou de la charnière de la porte



1. Avec vos deux mains, attrapez les côtés de la porte au milieu. Placez-vous en face de l'intérieur du four.
2. Placez la porte près du produit. Branchez les fils couplés de l'éclairage DEL.
3. Repérez l'emplacement des trous de chaque côté de la paroi intérieure du four, destinés aux verrous de la charnière de la porte.
4. Maintenez la porte ouverte à un angle de 45°, puis alignez les charnières de la porte avec les trous en bas et à l'avant de l'intérieur du four. Insérez lentement la porte, en veillant à conserver l'angle de 45°. Si vous ressentez une légère chute, cela signifie que la porte est bien engagée dans le trou.



5. Ouvrez la porte au maximum. Si la porte du four ne s'ouvre pas complètement à 90°, recommencez les étapes 1 à 4.
6. Dans les coins inférieurs de la porte, faites basculer les verrous vers l'avant pour les verrouiller. Reportez-vous à l'étape 3 (Illustration A) dans la section « Retrait des portes du four », pour connaître la bonne position de verrouillage.
7. Fermez la porte du four.

 **REMARQUE**

Lorsque les charnières sont correctement installées et que la porte est fermée, il devrait y avoir un écart régulier entre la porte et le panneau de commande. Si un côté de la porte du four descend plus bas que l'autre, la charnière de ce côté de la porte est mal installée.

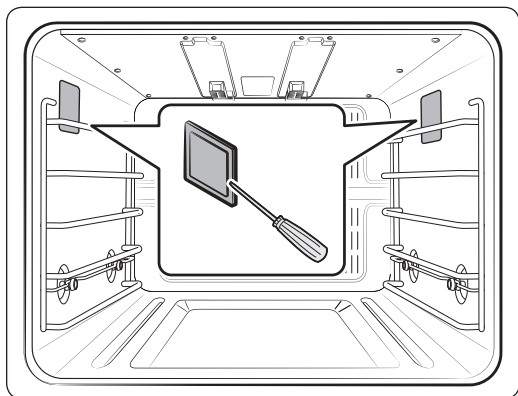
Précautions d'entretien : four

Remplacement de l'ampoule du four

L'éclairage du four nécessite une ampoule halogène standard de 40 watts. Elle s'allume à l'ouverture de la porte du four. Lorsque la porte du four est fermée, appuyez sur **LIGHT (ÉCLAIRAGE)** pour activer ou désactiver l'éclairage. L'éclairage ne s'active pas durant un cycle d'auto-nettoyage.

ATTENTION

Avant de remplacer l'ampoule de votre four, débranchez l'alimentation électrique du four au niveau du panneau de fusibles principal ou du tableau de disjoncteur. Assurez-vous que le four et l'ampoule halogène sont froids.



1. Ouvrez la porte du four et retirez les grilles situées à l'intérieur.
2. L'intérieur du four est doté d'une lampe de chaque côté. Maintenez l'extrémité inférieure de la protection de la lampe d'une main, et utilisez un outil fin et plat tel qu'un couteau de table pour retirer la protection.
3. Retirez l'ampoule du four.
4. Après son remplacement, remettez la protection de la lampe du four.

REMARQUE

Utilisez des gants en caoutchouc pour manipuler des ampoules halogènes. La graisse présente sur les mains réduit la durée de vie des ampoules halogènes.

5. Une fois terminé, repositionnez le couvercle en verre et réinstallez les supports de grille.

Dépannage

En cas de problème inattendu, recherchez en premier lieu une solution dans les tableaux ci-dessous. Si vous rencontrez encore des problèmes après avoir essayé les solutions suggérées, appelez au 833-35-ELITE (833-353-5483).

Sécurité liée au gaz

Problème	Cause possible	Action
Vous sentez une odeur de gaz.	Le bouton du brûleur de surface n'est pas sur la position OFF et le brûleur n'est pas allumé.	Tournez le bouton du brûleur sur la position OFF .
	Il y a une fuite de gaz.	<ul style="list-style-type: none">Faites évacuer toutes les personnes présentes dans la pièce/immeuble/zone.Appelez immédiatement votre fournisseur de gaz en vous rendant préalablement chez un voisin ; votre téléphone risque de créer des étincelles et un incendie à cause du gaz ; suivez les instructions de votre fournisseur de gaz.Si vous ne parvenez pas à joindre votre fournisseur de gaz, appelez les pompiers.

Brûleur de surface

Problème	Causes possibles	Action
Aucun brûleur ne s'allume	La table de cuisson n'est pas branchée.	Assurez-vous que le cordon d'alimentation est branché sur une prise en état de marche et mise à la terre.
	Il se peut qu'un fusible ait sauté ou qu'un disjoncteur ait lâché.	Remplacez le fusible concerné ou réenclenchez le disjoncteur.
	Le tuyau d'arrivée de gaz n'est pas correctement branché ou ouvert.	Consultez les instructions d'installation de votre table de cuisson. Demandez à un technicien qualifié de brancher/connecter l'alimentation en gaz.
Les brûleurs de surface ne s'allument pas. Mais l'alimentation en électricité et en gaz est correcte.	Le bouton de commande n'est pas correctement réglé.	Enfoncez et tournez le bouton de commande sur la position Lite (Allumage).
	<ul style="list-style-type: none">Les chapeaux des brûleurs ne sont pas correctement positionnés.La base des brûleurs n'est pas correctement alignée.	<ul style="list-style-type: none">Nettoyez les électrodes.Placez le chapeau de brûleur sur la tête du brûleur.Alignez la base des brûleurs.

Dépannage

Problème	Causes possibles	Action
Un brûleur émet un clic pendant le fonctionnement.	Le bouton de commande a été laissé sur la position Lite (Allumage).	Une fois que le brûleur est allumé, tournez le bouton de commande sur le réglage souhaité. Si le brûleur continue à émettre un cliquetis, contactez un technicien.
Les brûleurs ne brûlent pas de façon homogène.	Les composants des brûleurs ne sont pas installés correctement.	Consultez la page 79.
	Les brûleurs sont sales.	<ul style="list-style-type: none">Nettoyez les composants des brûleurs.Consultez les pages 76, 77, 78.
Les flammes du brûleur de surface sont très larges ou jaunes.	Le mauvais orifice de brûleur est installé.	Vérifiez la taille de l'orifice du brûleur et contactez votre installateur si vous n'avez pas le bon orifice (GPL au lieu de gaz naturel ou gaz naturel au lieu de GPL).

Écran de commande

Problème	Cause possible	Solution
L'affichage s'atténue.	Un fusible de votre habitation est peut-être grillé ou le disjoncteur peut être déclenché.	Remplacez le fusible concerné ou réenclenchez le disjoncteur.
Les commandes tactiles ne réagissent pas lorsqu'elles sont actionnées	Il y a des corps étrangers entre les boutons.	Retirez les corps étrangers et réessayez.
	Il y a de l'humidité à l'extérieur.	Retirez l'humidité et réessayez.
	Si la fonction de verrouillage est réglée.	Vérifiez si la fonction de verrouillage est réglée.

Four

Problème	Cause possible	Solution
Le four ne s'allume pas.	Le four n'est pas correctement branché à la prise électrique.	Assurez-vous que la fiche électrique est branchée sur une prise en état de marche et correctement mise à la terre.
	Un fusible de votre habitation est peut-être grillé ou un disjoncteur s'est peut être déclenché.	Remplacez le fusible concerné ou réenclenchez le disjoncteur.
	Le four est encore trop chaud suite à une utilisation précédente.	Laissez le four refroidir.
	Câblage incomplet.	Contactez le service technique.
	Coupure de courant.	Vérifiez que les lampes de votre habitation s'allument. Au besoin, demandez de l'aide auprès de votre compagnie d'électricité.
L'éclairage du four ne s'allume pas.	L'ampoule est dévissée ou défectueuse.	Revissez ou remplacez l'ampoule. Appelez pour obtenir de l'assistance si l'éclairage de la porte ne s'allume pas.
	Le commutateur permettant d'activer l'éclairage est cassé.	Contactez le service technique.
Le four émet une fumée excessive durant la cuisson.	La viande a été placée trop près de l'élément.	Abaissez la grille du four. Préchauffez le gril pour saisir la viande.
	La viande n'a pas été correctement préparée.	Retirez l'excès de gras de la viande. Coupez les bords gras susceptibles de se recourber, laissant le maigre intact.
	La graisse s'est accumulée sur les surfaces du four.	Lancez un cycle d'auto-nettoyage. Nettoyez fréquemment l'intérieur du four afin d'éviter l'accumulation de graisse.
Les aliments ne cuisent pas ou ne sont pas rôtis correctement.	La grille de cuisson n'a pas été positionnée correctement ou n'est pas à niveau.	Reportez-vous à la section Utilisation des grilles du four , en page 46.
	La température du four a été mal réglée.	Consultez Température dans la section Paramètres en page 70.

Dépannage

Problème	Cause possible	Solution
Les aliments ne grillent pas correctement.	La quantité peut ne pas être appropriée.	Reportez-vous au guide de recommandations concernant la cuisson au gril pour connaître les quantités, en page 51 , puis réessayez.
	La grille n'a pas été positionnée correctement.	Reportez-vous au guide de recommandations concernant la cuisson au gril , en page 51 .
	Le récipient utilisé n'est pas adapté au gril.	Utilisez un récipient adapté.
	À certains endroits, la puissance (tension) peut être faible.	Préchauffez le gril pour pendant 10 minutes. Reportez-vous au guide de recommandations concernant la cuisson au gril , en page 51 .
La température du four est trop élevée ou trop basse.	La température du four doit être ajustée.	Consultez Température dans la section Paramètres en page 70 .
De l'eau goutte.	Dans certains cas, il se peut que vous voyiez de l'eau ou de la vapeur selon les aliments que vous cuisinez.	Laissez le four refroidir puis essuyez avec un chiffon sec. Il ne s'agit pas d'un dysfonctionnement du produit.
De la vapeur sort au niveau de la fissure entre le corps du four et la porte.		
De l'eau reste dans le four.		
Le four ne s'auto-nettoie pas.	La température du four est trop élevée pour permettre de programmer un auto-nettoyage.	Laissez le four refroidir, puis réinitialisez les commandes.
	Les commandes du four n'ont pas été correctement réglées.	Reportez-vous à la section Autonettoyage , en page 61 .
	Il n'est pas possible de démarrer un cycle d'auto-nettoyage si la fonction de verrouillage du four a été activée.	Désactivez la fonction Verrouillage parental du four (voir la page 68).

Problème	Cause possible	Solution
Fumée excessive durant un cycle d'auto-nettoyage.	L'intérieur de votre four est excessivement sale.	Appuyez sur OFF . Ouvrez les fenêtres pour évacuer la fumée de la pièce. Attendez que le cycle d'auto-nettoyage soit annulé. Essayez la saleté excessive, puis relancez un cycle d'auto-nettoyage.
La porte du four ne s'ouvre pas après un cycle d'auto-nettoyage.	Le four est trop chaud.	Une fois le four suffisamment refroidi, le verrouillage automatique de la porte se désactive et la porte peut être ouverte.
Le four est toujours sale après un cycle d'auto-nettoyage.	Les commandes du four n'ont pas été correctement réglées.	Reportez-vous à la section Autonettoyage , en page 61 .
	Le four était très sale.	Essayez les éclaboussures importantes avant de démarrer le cycle d'auto-nettoyage. Les fours excessivement sales nécessitent un nouvel auto-nettoyage plus long.
De la vapeur s'échappe des orifices de ventilation.	En cas d'utilisation de la fonction de convection, il est normal que de la vapeur s'échappe des orifices de ventilation du four.	Ce phénomène est normal et ne constitue pas un dysfonctionnement du système. Utilisez le four normalement.
	La quantité de vapeur visible augmente proportionnellement au nombre de grilles ou à la quantité d'aliments en cours de cuisson.	
Odeur de brûlé ou d'huile provenant de la ventilation.	Ce phénomène est tout à fait normal dans le cas d'un four neuf. L'odeur disparaîtra au fil des utilisations.	Pour accélérer le processus, programmez un cycle d'auto-nettoyage d'une durée minimale de 3 heures. Reportez-vous à la section Autonettoyage , en page 61 .
Odeur forte.	Il est normal de constater une odeur provenant de l'isolation de la cavité du four lors des premières utilisations de votre four.	Faites fonctionner à vide le four en mode Cuisson sur 400 °F pendant 1 heure.
Bruit au niveau du ventilateur.	Un ventilateur de convection peut se déclencher ou s'arrêter automatiquement.	Ce phénomène est normal.

Dépannage

Problème	Cause possible	Solution
Vous avez des difficultés à faire glisser les grilles du four.	Les grilles, brillantes et de couleur argentée, ont été nettoyées au cours d'un cycle d'auto-nettoyage.	À l'aide de papier absorbant imbibé d'huile végétale, essuyez les bords des grilles du four.
La porte du four est verrouillée.	Le disjoncteur s'est déclenché ou une coupure de courant est survenue alors que la porte du four était verrouillée.	Activez la fonction Control Lockout (Verrouillage des commandes), puis déverrouillez la commande. Reportez-vous à la section Verrouillage parental en page 68.

Codes d'information

Four

Code affiché	Cause possible	Solution
C-d0	Ce code apparaît si la touche Contrôle est court-circuitée pendant 1 minute.	Nettoyez les boutons et assurez-vous qu'il n'y a pas d'eau autour d'eux. Éteignez le four et réessayez. Si le problème persiste, prenez contact avec un centre de dépannage Dacor local.
C-d1	Ce code apparaît si le verrouillage de la porte est mal positionné.	Appuyez sur OFF puis redémarrez le four. Si le problème persiste, coupez toute l'alimentation du four pendant au moins 30 secondes puis rétablissez-la. Si le problème n'est pas résolu, contactez le service technique.
C-F0	Ce code apparaît si la communication entre la carte de circuit imprimé principale et la carte de circuit imprimé secondaire est interrompue.	
C-F2	Ce code apparaît si la communication entre la carte de circuit imprimé principale et la carte de circuit imprimé des commandes tactiles est interrompue.	
C-20	Le capteur du four est ouvert lorsque le four est utilisé.	
	Le capteur du four est court-circuité lorsque le four est utilisé.	

Code affiché	Cause possible	Solution
C-21	Ce code apparaît si la température interne augmente à un niveau anormalement élevé.	Redémarrez l'appareil.
C-22	Le capteur de la carte de circuit imprimé secondaire est en circuit ouvert lorsque le four est utilisé.	Tournez les boutons du sélecteur de mode et de température sur la position OFF et redémarrez le four. Si le problème persiste, coupez toute l'alimentation du four pendant au moins 30 secondes puis rétablissez-la. Si le problème n'est pas résolu, contactez le service technique.
	Le capteur de la carte de circuit imprimé secondaire est court-circuité lorsque le four est utilisé.	
C-23	Le capteur de la sonde de température est court-circuité lorsque le four est utilisé.	Appuyez sur OFF puis redémarrez le four. Si le problème persiste, coupez toute l'alimentation du four pendant au moins 30 secondes puis rétablissez-la. Si le problème n'est pas résolu, contactez le service technique.
C-30	Le capteur de la carte de circuit imprimé est en circuit ouvert lorsque le four est utilisé.	
	Le capteur de la carte de circuit imprimé est court-circuité lorsque le four est utilisé.	
C-31	Ce code apparaît si la température de la carte de circuit imprimé augmente à un niveau anormalement élevé.	Contactez le service technique.
C-A2	Le moteur de refroidissement fonctionne anormalement.	Contactez le service technique.

Garantie et assistance

Garantie

Éléments couverts par la garantie

CERTIFICAT DE GARANTIE : CUISINIÈRES DACOR

DANS LES CINQUANTE ÉTATS DES ÉTATS-UNIS, LE DISTRICT DE COLUMBIA ET AU CANADA :

GARANTIE COMPLÈTE DE DEUX ANS

La garantie s'applique uniquement à l'appareil Dacor vendu au premier acheteur utilisateur, à compter de la date d'achat initial ou de la date de clôture pour les nouvelles constructions, quelle que soit la période la plus longue. La garantie est valable pour les produits achetés neufs chez un revendeur agréé Dacor ou un autre vendeur agréé par Dacor.

Si votre produit Dacor dysfonctionne dans l'année qui suit la date initiale de l'achat, en raison d'un défaut de matériel ou d'une malfaçon, Dacor résoudra le problème sans frais pour vous.

Tous les dommages superficiels (tels que des rayures sur l'inox, imperfections sur la peinture/ porcelaine, etc.) sur le produit ou les accessoires fournis, doivent être signalés à Dacor dans les 60 jours suivant la date d'achat initial pour être couverts par la garantie. Les pièces consommables, tels que les filtres et les ampoules, ne sont pas couverts et sont de la responsabilité de l'acheteur.

LIMITATIONS DE LA COUVERTURE

L'assistance technique sera assurée par un prestataire désigné par Dacor pendant les heures de travail normales. Veuillez noter que les prestataires de service sont des entités indépendantes et ne sont pas des agents de Dacor.

Les produits de maison témoin ou d'exposition ayant une date de production antérieure de plus de 5 ans, les produits vendus sans garantie et les produits installés pour un usage non résidentiel, incluant, sans s'y limiter, les organisations religieuses, les casernes de pompiers, les bed and breakfast et les spas disposent d'une garantie de pièces d'un an. Tout frais de livraison, installation et main d'œuvre et autre frais de service sont de la responsabilité de l'acheteur.

La garantie sera nulle et non avenue sur les produits altérés, déformés ou sans numéros et étiquettes de série.

Le propriétaire doit fournir une preuve d'achat ou le relevé de clôture pour les nouvelles constructions sur demande. Tous les produits Dacor doivent être accessibles à l'assistance technique.

La garantie est nulle et non avenue si des produits non approuvés ETL et CUL sont transportés depuis les États-Unis.

HORS DES CINQUANTE ÉTATS DES ÉTATS-UNIS, DU DISTRICT DE COLUMBIA ET DU CANADA :

GARANTIE LIMITÉE DE DEUX ANS

Si votre produit Dacor dysfonctionne dans les deux années qui suivent la date initiale de l'achat, en raison d'un défaut de matériel ou d'une malfaçon, Dacor fournira une nouvelle pièce, franco à bord, pour remplacer la pièce défectueuse.

Tout frais de livraison, installation et main d'œuvre et autre frais de service sont de la responsabilité de l'acheteur.

Éléments non couverts par la garantie

- De légères variations de couleurs peuvent être observées en raison de différences présentes entre les pièces peintes, l'éclairage de la cuisine, l'emplacement des produits et d'autres facteurs ; cette garantie ne s'applique pas à la variation des couleurs.
- Les demandes d'assistance pour informer le client de la bonne utilisation et du bon entretien du produit.
- Les frais d'assistance concernant des trajets à destination d'îles ou de sites isolés, incluant, sans s'y limiter, les droits de passage, les routes à péage ou autres dépenses de voyage.
- Dommages immatériels et accessoires, y compris, sans s'y limiter, la perte d'aliments ou de médicaments, distance du travail ou repas de restaurants.
- Défaillance du produit lors d'une utilisation commerciale, professionnelle, de location ou de toute application autre qu'une utilisation résidentielle par un consommateur.
- Défaillance du produit causée par une mauvaise installation du produit.
- Remplacement des fusibles, boîtiers à fusibles ou réinitialisation des disjoncteurs.
- Dommages sur le produit dus à un accident, un incendie, une inondation, une coupure de courant, des sautes de puissances ou autres cas de force majeure.
- Responsabilité pour les dommages sur les biens alentours incluant le mobilier, les sols, les plafonds et autres structures ou objets situés autour du produit.
- Casse, décoloration ou dommages sur des surfaces en verre ou métalliques, des composants en plastique, ornements, peintures ou autres finitions dus à une mauvaise utilisation, une utilisation détournée, un entretien absent ou une négligence.

Éléments non couverts par la garantie

Merci de nous contacter en cas de problème survenant au-delà de la période de garantie standard.

Dacor examine chaque problème et chaque question de ses clients pour leur fournir la meilleure solution possible selon les situations.

Garantie et assistance

LES SOLUTIONS INDIQUÉES DANS LES GARANTIES EXPRESSES CI-DESSUS SONT LES SEULES SOLUTIONS. AINSI, AUCUNE AUTRE GARANTIE EXPRESSE N'EST FAITE, ET, EN DEHORS DES CINQUANTE ÉTATS DES ÉTATS-UNIS, DU DISTRICT DE COLUMBIA ET DU CANADA, TOUTES LES GARANTIES IMPLICITES, Y COMPRIS, SANS S'Y LIMITER, TOUTE GARANTIE IMPLICITE DE QUALITÉ MARCHANDE OU D'ADAPTATION À UN USAGE OU UNE FIN PARTICULIERS, SE LIMITENT À UNE PÉRIODE D'UN AN À COMPTER DE LA DATE INITIALE D'ACHAT. DACOR NE SERA EN AUCUN CAS TENU RESPONSABLE DE TOUT DOMMAGE ET FRAIS INDIRECT ET ACCESSOIRE. SI DACOR REMPORTE TOUTE POURSUITE JUDICIAIRE, TOUS LES FRAIS, Y COMPRIS LES FRAIS D'AVOCAT, SERONT REMBOURSÉS À DACOR PAR LE CLIENT DE DACOR. AUCUNE GARANTIE EXPRESSE OU IMPLICITE N'EST FAITE À AUCUN ACHETEUR CONCERNANT LA REVENTE.

Certains États et certaines juridictions n'autorisent pas de limitations quant à la durée des garanties implicites ni l'exclusion ou la limitation de dommages accessoires ou indirects ; il se peut par conséquent que les limitations et exclusions énoncées ci-dessus ne s'appliquent pas à votre cas. Cette garantie vous confère des droits légaux spécifiques, vous pouvez également avoir d'autres droits qui varient d'un État à l'autre.

Annonce de source libre

Le présent produit contient un logiciel libre. Vous pouvez obtenir l'intégralité du code source correspondant durant une période de trois ans après la dernière livraison de cet appareil en envoyant un e-mail à l'adresse suivante : <mailto:oss.request@samsung.com>.

Il est également possible d'obtenir l'intégralité du code source correspondant sur un support physique tel qu'un CD-ROM. Des frais minimum seront requis.

L'URL suivante http://opensource.samsung.com/opensource/OVEN_HKM_TZ/seq/0 permet d'accéder à la page de téléchargement du code source mis à votre disposition et aux informations de la licence libre associées à cet appareil. Cette offre est valable pour toute personne accusant réception de ces informations.





Cher client estimé,

Merci d'avoir acheté un appareil Dacor. Nous espérons que nos appareils décuplent votre passion pour la cuisine !

Dans ce coffret, nous vous fournissons un ensemble de chapeaux de brûleurs en laiton. Ces chapeaux ont pour but de conférer un style élégant à votre nouvel appareil Dacor. Ces chapeaux peuvent être utilisés pour cuisiner, mais veuillez noter avant qu'ils se décolorent à mesure que vous les utiliserez. Il s'agit d'une réaction naturelle du laiton lorsqu'il entre en contact avec les flammes de gaz. Nous avons également accompagné cet appareil d'un ensemble de capuchons de brûleurs en porcelaine noire pour le cas où la décoloration vous préoccuperait. La décoloration des chapeaux de brûleurs n'est pas couverte par notre garantie ; toutefois, il vous est possible de commander auprès de nous des chapeaux de brûleurs neufs si nécessaire.

Nous espérons vraiment que votre appareil Dacor vous accompagnera tout au long de nombreuses années de cuisine passionnée. Si vous avez besoin de notre aide, veuillez prendre contact avec notre équipe au 833-35-ELITE (833-353-5483), poste 2813.

Cordialement,

The Dacor Customer Service Team

MÉMO

MÉMO



Veuillez consulter le site Web www.dacor.com pour activer votre garantie en ligne.

INFORMATIONS CONCERNANT LA GARANTIE



IMPORTANT :

Votre garantie ne prendra effet que lorsque vous l'aurez activée en ligne ou lorsque vous aurez envoyé le formulaire à retourner à Dacor. Si vous avez acheté plusieurs produits Dacor, merci de bien vouloir retourner tous les formulaires dans une seule enveloppe ou d'activer la garantie en ligne de chacun de vos produits.

En aucun cas Dacor ne vendra en aucun cas votre nom ou toute information contenu dans le formulaire dans le but de les ajouter à des listes de diffusion électronique. Nous sommes ravis que vous ayez choisi les produits Dacor pour votre foyer et nous vous en remercions. Nous ne vendrons en aucun cas vos informations.

Nom du propriétaire :

Rue : _____
Nom (en caractères d'imprimerie) Bornes Moyen

Ville : _____ État : _____ Code postal : _____

Date d'achat : _____ E-mail : _____ Téléphone : _____

Revendeur : _____

Ville : _____ État : _____ Code postal : _____

Merci de bien vouloir prendre quelques secondes pour compléter la section ci-dessous. Merci.

1. Comment avez-vous connu les produits Dacor ? (Une seule réponse possible.)

- | | |
|--|---|
| <input type="checkbox"/> A. Télévision Émission culinaire | <input type="checkbox"/> F. Constructeur |
| <input type="checkbox"/> B. Magazine | <input type="checkbox"/> G. Architecte/Designer |
| <input type="checkbox"/> C. Exposition chez un revendeur | <input type="checkbox"/> H. Un autre propriétaire Dacor |
| <input type="checkbox"/> D. Exposition de cuisines chez un revendeur | <input type="checkbox"/> I. Maison témoin |
| <input type="checkbox"/> E. Salon de l'habitat | <input type="checkbox"/> J. Autre _____ |

2. Où avez-vous acheté vos appareils Dacor ?

- | | |
|--|--|
| <input type="checkbox"/> A. Revendeur | <input type="checkbox"/> D. Constructeur |
| <input type="checkbox"/> B. Cuisiniste | <input type="checkbox"/> E. Autre _____ |
| <input type="checkbox"/> C. Entrepreneur d'un constructeur | |

3. Pour quelle raison avez-vous acheté ce produit ?

- | | |
|--|--|
| <input type="checkbox"/> A. Remplacement uniquement | <input type="checkbox"/> C. Déménagement |
| <input type="checkbox"/> B. Modernisation | <input type="checkbox"/> D. Autre _____ |

4. Quel est le revenu annuel de votre foyer ?

- | | |
|--|--|
| <input type="checkbox"/> A. Moins de 75 000 \$ | <input type="checkbox"/> D. Entre 150 000 \$ et 200 000 \$ |
| <input type="checkbox"/> B. Entre 75 000 \$ et 100 000 \$ | <input type="checkbox"/> E. Entre 200 000 \$ et 250 000 \$ |
| <input type="checkbox"/> C. Entre 100 000 \$ et 150 000 \$ | <input type="checkbox"/> F. Plus de 250 000 \$ |

5. Quelles sont les types d'appareils que vous possédez dans votre cuisine ?

- | | |
|---------------------------|-------------------------|
| A. Table de cuisson _____ | C. Lave-vaisselle _____ |
| B. Four _____ | D. Réfrigérateur _____ |

6. Achèteriez-vous ou recommanderiez-vous un autre produit Dacor ?

- | | |
|------------------------------|------------------------------|
| <input type="checkbox"/> Oui | <input type="checkbox"/> Non |
|------------------------------|------------------------------|

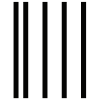
Remarques : _____

Merci beaucoup pour votre contribution. Les informations que vous nous avez fournies nous aideront pour les projets à venir et à vous apporter l'assistance que vous méritez.

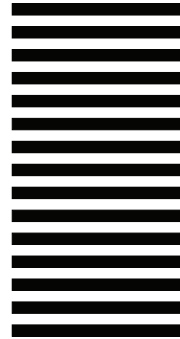
Placez l'étiquette portant le numéro de série ici

Site Web : www.dacor.com

Téléphone : 833-35-ELITE (833-353-5483)



NO POSTAGE
NECESSARY
IF MAILED
IN THE
UNITED STATES



BUSINESS REPLY MAIL
FIRST-CLASS MAIL PERMIT NO 1600 CITY OF INDUSTRY CA
POSTAGE WILL BE PAID BY ADDRESSEE

DACOR
ATTN: WARRANTY PROCESSING DEPT
PO BOX 90070
CITY OF INDUSTRY, CA 91715-9907



fold here



DG68-01105C-02

dacor[®]

Dacor • 14425 Clark Avenue, City of Industry, CA 91745 • Téléphone : 833-35-ELITE (833-353-5483) • Télécopie : (626) 403-3130 • www.dacor.com

