

Built-In Convection Microwave Oven (Speed Oven)

Installation Manual

800 SERIES

HMC80251UC, HMC80151UC, HMC87151UC



BOSCH

Invented for life



Table of Contents

Safety Definitions	3	Dimensions and Cabinet Requirements	7
IMPORTANT SAFETY INSTRUCTIONS	4	General Cabinet Requirements	7
Appliance Handling Safety	4	Outlet Area	7
Safety Codes and Standards	4	Dimensions for 30" Wall-Mounted Units	7
State of California Proposition 65 Warnings	4	Dimensions for 27" Wall-Mounted Units	8
Electric Safety	4	Electrical Installation	9
Microwave Safety	4	Electrical Connection with Plug	9
Related Equipment Safety	5	Electrical Connection with Wire Conduit	9
Before You Begin	6	Install Appliance	10
Tools and Parts Needed	6	Mount to Cabinet	10
Parts Included	6	Testing Operation	10
Power Requirements	6	Bosch® Support	11
Checklist for Installation	6	Before Calling Service	11
Removing Packaging	6	Data Plate	11
		Service	11
		Parts and Accessories	11

Questions?
1-800-944-2904
www.bosch-home.com
1901 Main Street, Suite 600
Irvine, CA 92614

We look forward to hearing from you!

Safety Definitions

▲ WARNING

This indicates that death or serious injuries may occur as a result of non-observance of this warning.

▲ CAUTION

This indicates that minor or moderate injuries may occur as a result of non-observance of this warning.

NOTICE: This indicates that damage to the appliance or property may occur as a result of non-compliance with this advisory.

Note: This alerts you to important information and/or tips.

IMPORTANT SAFETY INSTRUCTIONS

READ ALL INSTRUCTIONS BEFORE USING THE APPLIANCE

INSTALLER: LEAVE THESE INSTRUCTIONS WITH THE APPLIANCE AFTER INSTALLATION IS COMPLETE.

IMPORTANT: SAVE THESE INSTRUCTIONS FOR THE LOCAL ELECTRICAL INSPECTOR'S USE.

WARNING

If the information in this manual is not followed exactly, fire or shock may result causing property damage or personal injury.

WARNING

Do not repair, replace or remove any part of the appliance unless specifically recommended in the manuals. Improper installation, service or maintenance can cause injury or property damage. Refer to this manual for guidance. All other servicing should be done by a qualified technician.

Appliance Handling Safety

Unit is heavy and requires at least two people or proper equipment to move.

Do not lift appliance by door handle.

Hidden surfaces may have sharp edges. Use caution when reaching behind or under appliance.

Safety Codes and Standards

This appliance complies with the latest version of one or more of the following standards:

- CAN/CSA C22.2 No. 61 - Household Cooking Ranges
- UL 858 - Household Electric Ranges
- CAN/CSA C22.2 No. 150 - Microwave Ovens
- UL 923 - Microwave Cooking Appliances
- UL 507 - Electric Fans
- CAN/CSA C22.2 No. 113 - Fans and Ventilators
- CSA C22.2 No. 64 - Household Cooking and Liquid-Heating Appliances
- UL 1026 - Electric Household Cooking and Food Serving Appliances

It is the responsibility of the owner and the installer to determine if additional requirements and/or standards apply to specific installations.

State of California Proposition 65 Warnings

WARNING

This product contains chemicals known to the State of California to cause cancer, birth defects or other reproductive harm.

Electric Safety

WARNING

Before you plug in an electrical cord or turn on power supply, make sure all controls are in the OFF position.

WARNING

The appliance must be disconnected from the source of supply before attempting the installation.

For appliances equipped with a cord and plug, do not cut or remove the ground prong. It must be plugged into a matching grounding type receptacle to avoid electrical shock. If there is any doubt as to whether the wall receptacle is properly grounded, the customer should have it checked by a qualified electrician.

If required by the National Electrical Code (or Canadian Electrical Code), this appliance must be installed on a separate branch circuit.

Installer – show the owner the location of the circuit breaker or fuse. Mark it for easy reference.

Before installing, turn power OFF at the service panel. Lock service panel to prevent power from being turned ON accidentally.

Be sure your appliance is properly installed and grounded by a qualified technician. Installation, electrical connections and grounding must comply with all applicable codes.

Microwave Safety

PRECAUTIONS TO BE OBSERVED BEFORE AND DURING SERVICING TO AVOID POSSIBLE EXPOSURE TO EXCESSIVE MICROWAVE ENERGY

- Do not operate or allow the oven to be operated with the door open.
- Make the following safety checks on all ovens to be serviced before activating the magnetron or other microwave source, and make repairs as necessary:
 1. Interlock operation
 2. Proper door closing
 3. Seal and sealing surfaces (arcing, wear, and other damage)
 4. Damage to or loosening of hinges and latches
 5. Evidence of dropping or abuse
- Before turning on microwave power for any service test or inspection within the microwave generating compartments, check the magnetron, wave guide or transmission line, and cavity for proper alignment, integrity, and connection.
- Any defective or misadjusted components in the interlock, monitor, door seal, and microwave generation and transmission systems shall be

IMPORTANT SAFETY INSTRUCTIONS

READ ALL INSTRUCTIONS BEFORE USING THE APPLIANCE

repaired, replaced, or adjusted by procedures described in this manual before the oven is released to the owner.

- A microwave leakage check to verify compliance with the Federal Performance Standard should be performed on each oven prior to release to the owner.

GROUNDING INSTRUCTIONS

This appliance must be grounded. Grounding reduces the risk of electric shock by providing a safe pathway for electric current in the event of a short circuit.

If this appliance is equipped with a cord having a grounding wire with a grounding plug, the plug must be plugged into an outlet that is properly installed and grounded.

If your appliance requires a hardwired connection: This appliance must be connected to a grounded, metallic, permanent wiring system, or an equipment grounding conductor should be run with the circuit conductors and connected to the equipment grounding terminal or lead on the appliance.

WARNING

Improper grounding can result in a risk of electric shock. Consult a qualified electrician if the grounding instructions are not completely understood, or if doubt exists as to whether the appliance is properly grounded. Do not use an extension cord. If the power supply cord is too short, have a qualified electrician install an outlet near the appliance.

Related Equipment Safety

Remove all tape and packaging before using the appliance. Destroy the packaging after unpacking the appliance. Never allow children to play with packaging material.

Never modify or alter the construction of the appliance. For example, do not remove leveling legs, panels, wire covers or anti-tip brackets/screws.

WARNING

To reduce the risk of fire, use only metal ductwork.

CAUTION

For general ventilating use only. Do not use to exhaust hazardous or explosive materials and vapors.

Before You Begin

Tools and Parts Needed

- Philips head screwdriver
- 1/8" drill bit and drill
- Measuring tape

Parts Included

- Microwave oven
- Philips head screws

Power Requirements

The outlet must be properly grounded in accordance with all applicable codes.

It can be installed in the backwall directly behind the appliance.

You can also connect your appliance directly to a compatible conventional Built-in Oven. Refer to separate Combination Instructions.

Checklist for Installation

Use this checklist to verify that you have completed each step of the installation process. This can help you avoid common mistakes.

Refer to detailed instructions for each step in the sections following this checklist.

1. Before installing the appliance, be sure to verify the cabinet dimensions are correct for your appliance and that the required electrical connections are present. Make sure the electrical conduit provided on the appliance is able to reach to the point of connection.
Section: Dimensions and Cabinet Requirements
2. Move the appliance into place in front of the cabinet opening.
Section: Removing Packaging

3. Remove packaging materials, leaving the bottom packaging on the appliance to avoid damage to the floor.
Section: Removing Packaging
4. Team lift the appliance directly into the cabinet cutout.
Section: Install Appliance, "Mount to Cabinet"
5. Slide the appliance all the way into place.
Section: Install Appliance, "Mount to Cabinet"
6. Fasten the appliance to the cabinet opening with the screws supplied.
Section: Install Appliance, "Mount to Cabinet"

Always read and follow the complete installation instructions contained in this manual.

Removing Packaging

NOTICE: To prevent damage to your floor keep the unit in its packaging base until ready to be placed in the cabinet opening. Do not slide the unit across the flooring. Different models use different packaging materials. Actual brackets may look differently. Bracket remains in packaging base.

1. Cut straps on outside of box.
2. Remove cardboard box.
3. Remove all top and side cardboard and Styrofoam braces.
4. Place oven in front of cabinets where it is to be installed.

NOTICE: To avoid damage to the microwave oven, do not grip or use the door or door handle while the microwave oven is being handled.

Dimensions and Cabinet Requirements

General Cabinet Requirements

Cabinet requirements vary depending on the model to be installed. Please consult the section *Dimensions* for the details pertaining to your particular model.

All models require:

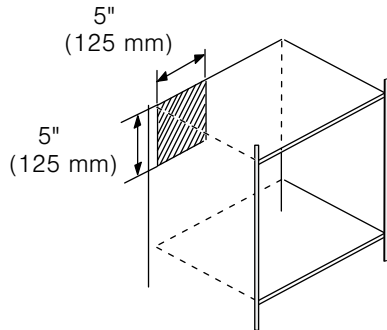
- 1/4" (6.4 mm) space between the side of the appliance and an adjacent wall or cabinet door when intalled at the end of a cabinet run.
- The cabinet base must be flat and capable of supporting the weight of your appliance when in use. See the appropriate weight for your model in the *Dimensions* section pertaining to your particular model. For combo-units consult the section *Cabinet Dimension Requirements* in the installation manual of your combination appliance.
- The appliance door will overlap the furniture below by approx. 5 mm when opened. If necessary, you can elevate the appliance position by adding a panel in the required thickness on top of the supporting base. The supporting base must be level and securely fixed to the cabinet.

Outlet Area

Appliances with plug connection: The outlet can be located anywhere within the shaded area.

Appliances with wire conduit connection:

- For stand alone installation, the electrical connection box must be mounted to the wall inside the cabinet cavity anywhere within the shaded area.
- For installation as part of a combination of various Bosch appliances, please consult the installation manual of the combo-unit.

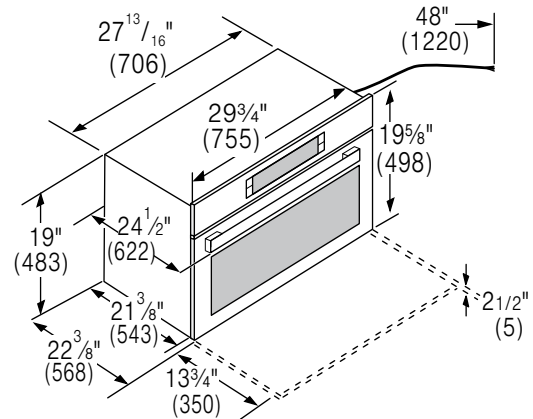


Dimensions for 30" Wall-Mounted Units

HMC80151UC

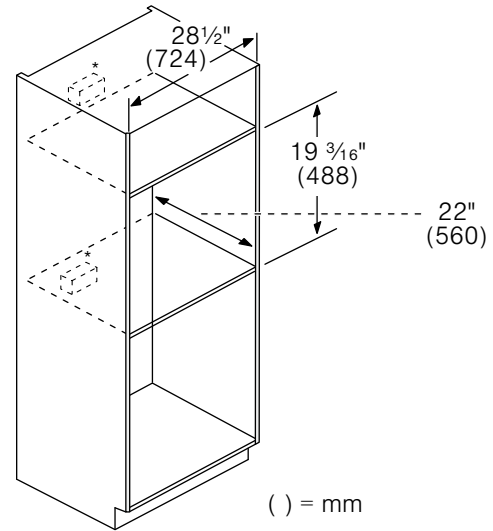
HMC80251UC

Appliance Dimensions



() = mm

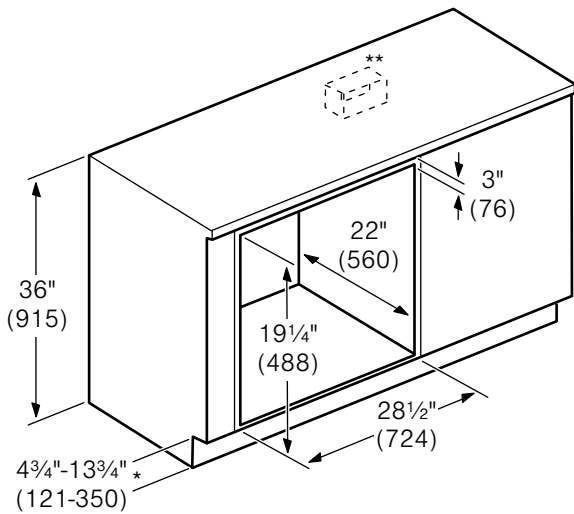
Cabinet Dimensions



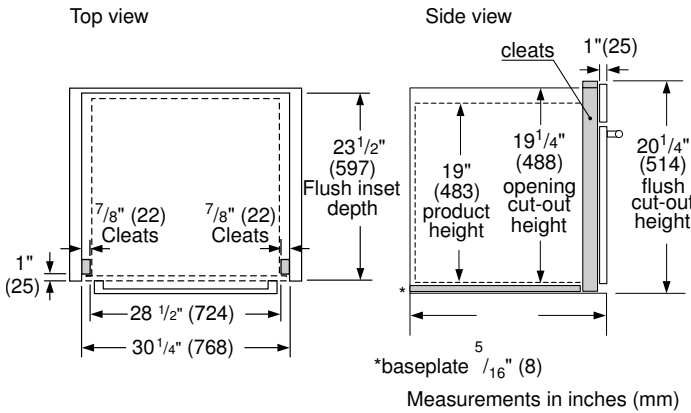
() = mm

NOTICE: The cabinet base must be flat and capable of supporting a weight of at least 142 lbs (64.1 kg).

Under counter dimensions 30" units



Flush installation 30" units

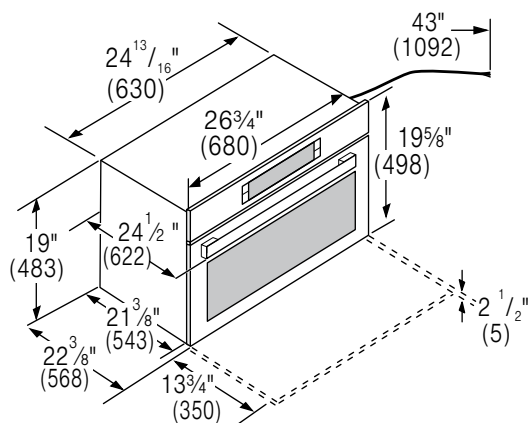


Flush installation also requires:

- two side cleats to be attached inside the cabinet frame, recessed from the front
- a $5/16$ " (8 mm) baseplate underneath the unit body.

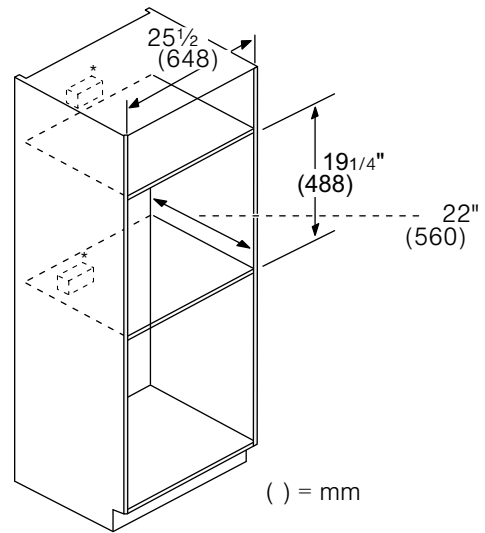
Dimensions for 27" Wall-Mounted Units HMC87151UC

Appliance Dimensions



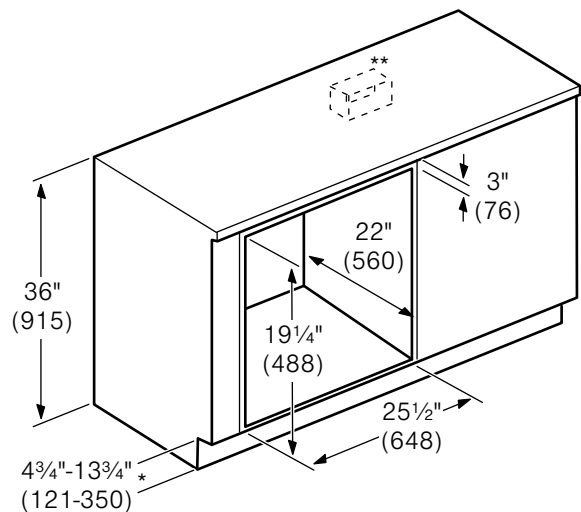
() = mm

Cabinet Dimensions

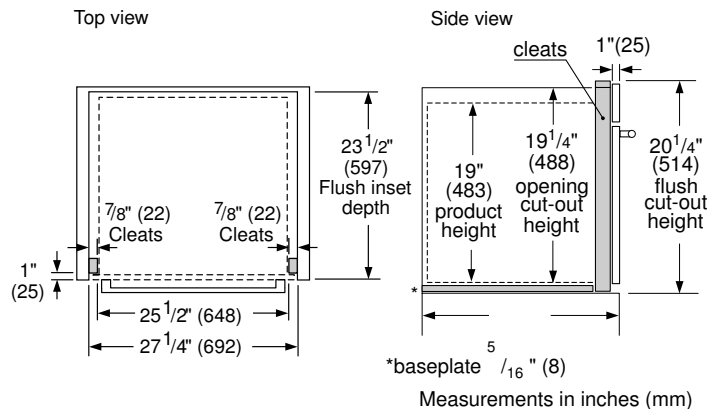


NOTICE: The cabinet base must be flat and capable of supporting a weight of at least 142 lbs (64.1 kg).

Under counter dimensions 27" units



Flush installation 27" units



Flush installation also requires:

- two side cleats to be attached inside the cabinet frame, recessed from the front
- a $5/16$ " (8 mm) baseplate underneath the unit body.

Electrical Installation

The models stated on the front cover are either dual-rated, designed to be connected to either 208/240V AC, 60 Hz, 4-wire, single-phase power supply, or rated at 120V AC, 60 Hz and use a NEMA 5-20 plug to connect to a dedicated 120 V microwave circuit.

208/240 V models may also be combined with some Bosch Built-in Ovens and can be connect directly to the combo appliance. To do this, please refer to detailed instructions with the Bosch Combination Kit.

⚠ WARNING

When connected to a 4 or 5-wire, 120/208-Volt 3-phase power supply; the phase C conductor is not required for the operation of the appliance.

Model	Connection	Circuit Requirements	
HMC80251UC	4 wire conduit cable	208 V,	20 Amps
		60 Hz	
HMC80151UC	NEMA 5-20	120 V,	20 Amps
		60 Hz	
HMC87151UC	NEMA 5-20	120 V,	20 Amps
		60 Hz	

Electrical Connection with Plug

HMC87151UC HMC80151UC

Electrical Requirements:

- a three prong grounded outlet
- 120 V, 60 Hz, AC only
- 20 Amp electrical supply with a fuse or a circuit breaker

This product must be connected to a supply circuit of the proper voltage and frequency. Wire size must conform to the requirements of the National Electric Code or the prevailing local code for this rating. The power supply cord and plug should be brought to a separate 20-amp branch circuit single grounded outlet. The outlet box should be located in the area behind the appliance (see section *Cabinet Dimensions*). The outlet box and supply circuit should be installed by a qualified electrician and conform to the National Electrical Code or the prevailing local code.

The voltage used must be the same as specified on this microwave oven. Using a higher voltage is dangerous and may result in a fire or oven damage. Using a lower voltage will cause slow cooking. The dealer is not responsible for any damages resulting from the use of the oven with any voltage other than specified.

Electrical Connection with Wire Conduit HMC80251UC

The electrical supply should be a 4-wire single-phase AC. Install a suitable conduit box (not furnished). An appropriately-sized, UL-listed conduit connector must be used to correctly attach the conduit to the junction box.

NOTICE: Local Codes may vary; installation, electrical connections and grounding must comply with all applicable local codes.

If local codes permit grounding through the electrical supply neutral, connect both the white neutral wire and the bare ground wire from the oven to the white neutral electrical supply wire.

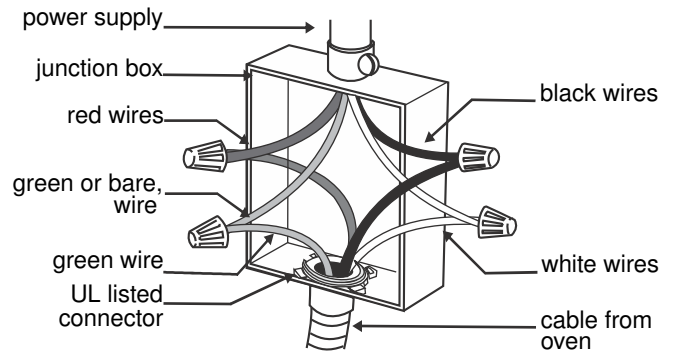
Electrical Connection

The four-wire connection is preferred, but where local codes permit, the three wire connection is also acceptable.

⚠ WARNING

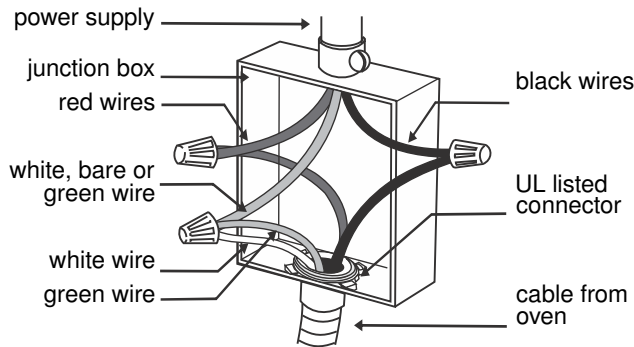
When connected to a 4 or 5-wire, 120/208-Volt 3-phase power supply; the phase C conductor is not required for the operation of the appliance.

Four-wire Connection Ungrounded Neutral



- Connect the red oven wire to the red electrical supply wire (hot wire).
- Connect the black oven wire to the black electrical supply wire (hot wire).
- Connect the white neutral oven wire to the white neutral (not bare or green ground) electrical supply wire.
- Connect the green ground oven wire to the bare or green ground electrical supply wire.

Three-wire Connection Grounded Neutral



- Connect red wire from oven to red wire in junction box.
- Connect black wire from oven to black wire in junction box..
- Connect both green ground wire and white wire from oven to white, green or bare neutral wire in junction box.

The conduit cable, when connected at the oven, swivels. Rotate conduit cable upward (or downward) and direct through hole prepared in cabinet to attach to junction box.

To maintain serviceability, the flex conduit must not be shortened and should be routed to permit temporary removal of the oven.

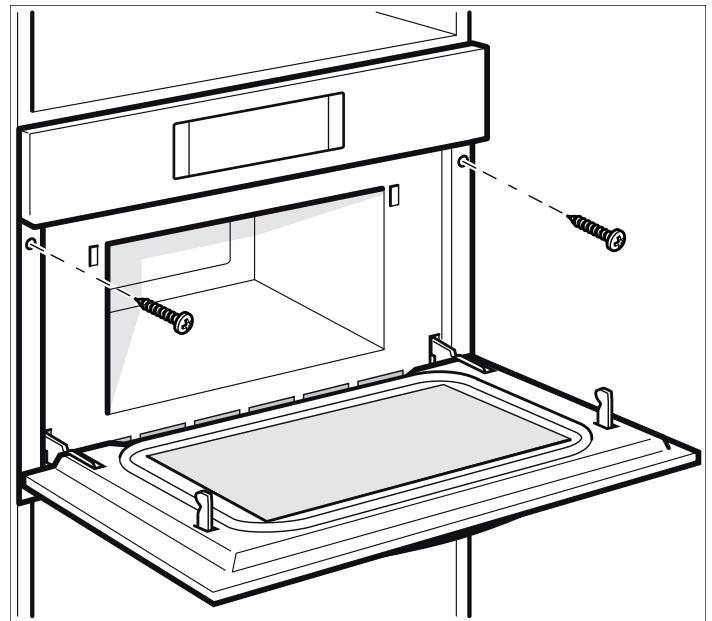
Install Appliance

Note: The appliance is heavy. It is advisable to insert it together with a second person.

NOTICE: Before installing the oven, be sure to verify the cabinet dimensions and electrical connections.

Mount to Cabinet

1. Fully insert the appliance and centre it. Do not kink the electrical cable.
2. Screw the appliance into place.



Testing Operation

1. Turn on power at the breaker.
2. For Model HMC80251UC: Check power at junction box using a volt meter.
For 240 V installation, the reading between the red and black wires (line to line) should be 220 to 240 volts.
For 208 V installation, the reading between the red and black wires (line to line) should be 190 to 208 volts.
3. Test the oven mode:
Select the CONVECTION mode. See the Use and Care Manual for detailed operation instructions.
4. Verify that the oven light comes on and the oven begins to preheat.
5. Test the microwave:
Place a cup of water into the oven cavity. Follow The instructions in the Use and Care Manual on how to heat a beverage.
6. Verify that the oven light comes on and the water is heated.
7. If any of the tests do not result as explained above, contact service for assistance. Otherwise, the installation is complete at this time.

Bosch® Support

Before Calling Service

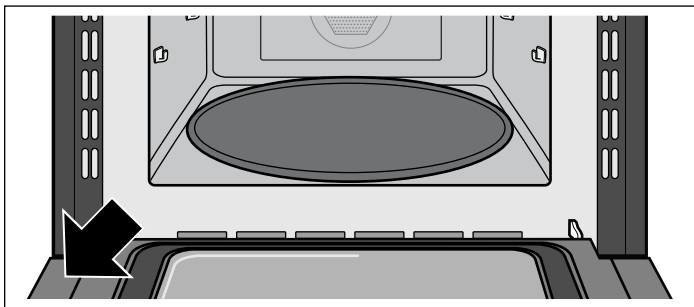
See the Use and Care Manual for troubleshooting information. Refer to the Warranty in the Use and Care Manual.

To reach a service representative, see the contact information at the front of the manual. Please be prepared with the information printed on your product data plate when calling.

Data Plate

The data plate shows the model and serial number. Refer to the data plate on the appliance when requesting service.

The data plate can be found on the inside of the appliance door.



To avoid having to search for each piece of information when calling, you can enter the four items needed in the spaces provided below.

Model No.

FD-No.

Date of Purchase

Customer Service ☎

Keep your invoice or escrow papers for warranty validation if service is needed.

Service

We realize that you have made a considerable investment in your kitchen. We are dedicated to supporting you and your appliance so that you have many years of creative cooking.

Please don't hesitate to contact our Customer Support Department if you have any questions or in the unlikely event that your Bosch® appliance needs service. Our service team is ready to assist you.

USA

800-944-2904

www.bosch-home.com/us/support

Canada

800-944-2904

www.bosch-home.ca/en/support

Parts and Accessories

Parts, filters, descalers, stainless steel cleaners and more can be purchased in the Bosch® eShop or by phone.

USA

www.bosch-home.com/us/store

Canada

Marcone 800-482-6022

or

Reliable Parts 800-941-9217

Table de Matières

Définitions de Sécurité	13	Exigences en matière de dimensions et d'armoire ..	17
CONSIGNES DE SÉCURITÉ IMPORTANTES	14	Exigences générales concernant le meuble	17
Sécurité de manipulation de l'appareil	14	Zone de la prise de courant	17
Codes et normes de sécurité	14	Dimensions pour les unités installées au mur de 30 po (76 cm).	17
Avertissements de la Proposition 65 de l'État de la Californie	14	Dimensions pour les unités installées au mur de 27 po (68,5 cm)	18
Sécurité électrique	14	Installation électrique	19
Sécurité des micro-ondes	15	Raccordement électrique avec fiche	19
Sécurité apparentée concernant l'équipement	15	Raccordement électrique avec conduit de fils	19
Avant de commencer	16	Installation de l'appareil	20
Outils et pièces nécessaires	16	Fixation à l'armoire	20
Pièces comprises	16	Opération d'essai	20
Exigences électriques	16	Soutien Bosch®	21
Liste de contrôle pour l'installation	16	Avant d'appeler le service de dépannage	21
Pour enlever l'emballage	16	Plaque signalétique	21
		Service	21
		Pièces et accessoires	21

Question ?

1-800-944-2904

www.bosch-home.com

1901 Main Street, Suite 600
Irvine, CA 92614

Nous attendons de vos nouvelles.

Définitions de Sécurité

▲ AVERTISSEMENT

Le non-respect de cet avertissement peut entraîner la mort ou des blessures graves.

▲ ATTENTION

Le non-respect de cet avertissement peut entraîner des blessures mineures ou modérées.

AVIS : Vous indique que des dommages à l'appareil ou aux biens peuvent survenir si vous ne respectez pas cet avertissement.

Remarque : Vous signale des informations importantes ou des conseils.

CONSIGNES DE SÉCURITÉ IMPORTANTES

LISEZ TOUTES LES INSTRUCTIONS AVANT D'UTILISER L'APPAREIL

INSTALLATEUR : LAISSEZ CES INSTRUCTIONS AVEC L'APPAREIL APRÈS UNE FOIS L'INSTALLATION TERMINÉE.

IMPORTANT : CONSERVER CES INSTRUCTIONS POUR L'USAGE DE L'INSPECTEUR ÉLECTRIQUE LOCAL.

AVERTISSEMENT

Si l'information de ce guide n'est pas suivie exactement, il peut en résulter un incendie ou un choc électrique causant des dommages à la propriété, des blessures ou la mort.

AVERTISSEMENT

Ne pas réparer ni remplacer toute pièce de l'appareil à moins que cela ne soit expressément recommandé dans ce manuel. Ne jamais modifier ni altérer la configuration de l'appareil. Toute installation, réparation ou maintenance inadéquate peut entraîner des blessures ou des dommages matériels. Se reporter à ce manuel pour obtenir des conseils sur la façon de procéder. Toute réparation doit être effectuée par un centre de réparation autorisé par l'usine.

Sécurité de manipulation de l'appareil

Cet appareil est lourd et il faut au moins deux personnes ou l'équipement approprié pour le déplacer.

Ne pas soulever l'appareil par la poignée de la porte. Certaines surfaces peuvent avoir des bords tranchants. Faire attention en étendant le bras derrière l'appareil ou en dessous.

Codes et normes de sécurité

Cet appareil est conforme à la version la plus récente de l'une ou plusieurs des normes suivantes :

- CAN/CSA C22.2 No. 61 - Cuisinières pour usage ménager (Household Cooking Ranges)
- UL 858 - Cuisinières électriques domestiques (Household Electric Ranges)
- CAN/CSA C22.2 No. 150 - Fours à micro-ondes (Microwave Ovens)
- UL 923 - Appareils de cuisson à micro-ondes (Microwave Cooking Appliances)
- UL 507 - Ventilateurs électrique (Electric Fans)
- CAN/CSA C22.2 No. 113 - Ventilateurs et soufflantes (Fans and Ventilators)
- CSA C22.2 No. 64 - Appareils de cuisson domestique et de chauffage des liquides (Household Cooking and Liquid-Heating Appliances)
- UL 1026 - Appareils électriques domestiques pour la cuisson et la préparation des aliments (Electric Household Cooking and Food Serving Appliances)

Il incombe au propriétaire et à l'installateur de déterminer si des exigences et/ou normes additionnelles s'appliquent pour des installations spécifiques.

Avertissements de la Proposition 65 de l'État de la Californie

AVERTISSEMENT

Ce produit contient des produits chimiques connus de l'État de la Californie pour causer le cancer, des anomalies congénitales ou d'autres problèmes de reproduction.

Sécurité électrique

AVERTISSEMENT

Avant de brancher un cordon électrique ou de mettre l'appareil sous tension, s'assurer que les commandes sont en position d'ARRÊT.

AVERTISSEMENT

L'appareil doit être débranché de la source d'alimentation électrique avant d'être installé.

Pour les appareils dotés d'un cordon et d'une fiche, ne pas couper ou enlever la broche de mise à la terre. Le cordon doit être branché dans une prise de courant adaptée de type mise à la terre pour éviter tout risque d'électrocution. S'il y a un doute en ce qui concerne la mise à la terre de la prise murale, le client devra s'adresser à un électricien qualifié.

S'il y a lieu, conformément au Code national de l'électricité (ou au Code canadien de l'électricité), cet appareil doit être installé sur un circuit de dérivation séparé.

Installateur – Indiquer au propriétaire l'emplacement du disjoncteur ou du fusible. Identifier sa position pour pouvoir le retrouver facilement.

Avant l'installation, mettre l'appareil hors service au panneau de service. Verrouiller le panneau d'entrée d'électricité pour éviter que le courant ne soit accidentellement rétabli.

S'assurer que l'appareil est installé et mis à la terre par un technicien qualifié. L'installation, les connexions électriques et la mise à la terre doivent être conformes à tous les codes applicables.

CONSIGNES DE SÉCURITÉ IMPORTANTES

LISEZ TOUTES LES INSTRUCTIONS AVANT D'UTILISER L'APPAREIL

Sécurité des micro-ondes

PRÉCAUTIONS À SUIVRE AVANT ET PENDANT L'ENTRETIEN POUR ÉVITER TOUT RISQUE D'EXPOSITION AUX MICRO-ONDES

- Ne pas utiliser ou ne pas permettre l'utilisation du four avec la porte ouverte.
 - Effectuer les vérifications de sécurité suivantes sur tous les fours faisant l'objet d'un entretien avant d'activer la magnétron ou autre source micro-ondes, et effectuer les réparations selon le besoin :
1. Fonctionnement de l'interverrouillage
 2. Fermeture appropriée des portes
 3. Joint d'étanchéité et surfaces étanches (production d'arcs électriques, usure et autres dommages)
 4. Dommages aux charnières et loquet ou leur desserrement
 5. Signe de chute ou d'abus
- Avant de mettre sous tension le micro-ondes pour tout test de service ou inspection dans les compartiments générateurs de micro-ondes, vérifier le magnétron, le guide d'onde ou la ligne de transmission, et la cavité pour l'alignement, intégrité, raccordement approprié.
 - Tout composant défectueux ou mal réglé dans l'interverrouillage, moniteur, joint d'étanchéité de porte et système de génération et de transmission de micro-ondes doit être réparé, remplacé ou réglé selon les procédures décrites dans ce manuel avant que le four ne puisse être remis à son propriétaire.
 - Une vérification de fuite de micro-ondes pour vérifier la conformité avec les normes de rendement fédérales doit être effectuée sur chaque four avant sa remise au propriétaire.

INSTRUCTIONS DE MISE À LA TERRE

Cet appareil doit être mis à la terre. En cas de court-circuit électrique, la mise à la terre réduira le risque de choc électrique en offrant au courant électrique un fil d'évacuation.

Cet appareil est muni d'un cordon électrique comportant un conducteur de terre et une prise de mise à la terre. La fiche doit être branchée dans une prise qui a été installée et mise à la terre de façon appropriée.

Si votre appareil nécessite un raccordement câblé : Cet appareil doit être raccordé à un système de câblage métallique permanent avec mise à la terre ou un conducteur de mise à terre devrait être utilisé avec les conducteurs de circuit et raccordé au terminal de mise à la terre ou à la conduite sur l'appareil.

AVERTISSEMENT

Une mise à la terre inadéquate peut entraîner un risque d'électrocution. Consultez un électricien qualifié si vous ne comprenez pas parfaitement les instructions de mise à la terre ou si vous avez des doutes quant à la qualité de mise à la terre. N'utilisez pas de rallonge. Si le cordon d'alimentation est trop court, demandez à un électricien ou un technicien qualifié d'installer une prise à proximité de l'appareil.

Sécurité apparentée concernant l'équipement

Enlever le ruban adhésif et l'emballage avant d'utiliser l'appareil. Détruire l'emballage après avoir déballé l'appareil. Ne jamais laisser les enfants jouer avec les matériaux de conditionnement.

Ne jamais modifier ni altérer la configuration de l'appareil. Par exemple, ne pas retirer les pieds de nivellement, les panneaux, les couvercles de câblage ou les fixations/vis antibasculement.

AVERTISSEMENT

Pour réduire les risques de feu, utiliser uniquement des gaines en métal.

ATTENTION

Appareil conçu exclusivement pour la ventilation générale. Ne pas utiliser pour évacuer des matières et vapeurs dangereuses ou explosives.

Avant de commencer

Outils et pièces nécessaires

- Tournevis cruciforme
- Mèche de 1/8 po (3 mm) et perceuse
- Ruban à mesurer

Pièces comprises

- Four à micro-ondes
- Vis à tête Philips

Exigences électriques

La prise doit être correctement reliée à la terre selon tous les codes applicables.

Il peut être installé dans le mur arrière directement derrière l'appareil.

Vous pouvez également raccorder votre appareil directement à un four intégré conventionnel compatible. Voyez les instructions séparées des appareils combinés.

Liste de contrôle pour l'installation

Utilisez cette liste de contrôle pour vérifier que vous avez terminé chaque étape du processus d'installation. Cela peut vous aider à éviter des erreurs communes.

Voyez les instructions détaillées pour chaque étape dans les sections suivant cette liste de contrôle.

1. Avant d'installer l'appareil, assurez-vous de vérifier que les dimensions du caisson sont correctes pour votre appareil et que les connexions électriques requises sont présentes. Assurez-vous que le conduit électrique fourni sur l'appareil est en mesure de joindre le point de raccordement.

Section : Exigences sur les dimensions et le caisson

2. Déplacez l'appareil devant l'avant de l'ouverture du caisson.

Section : Retrait de l'emballage

3. Retirez les matériaux d'emballage, en laissant l'emballage du fond de l'appareil pour éviter d'endommager le plancher.

Section : Retrait de l'emballage

4. L'équipe soulève l'appareil directement dans la découpe du caisson.

Section : Installation de l'appareil, "Montage sur le caisson"

5. Glissez l'appareil en place complètement.

Section : Installation de l'appareil, "Montage sur le caisson"

6. Fixez l'appareil dans l'ouverture du caisson avec les vis fournies.

Section : Installation de l'appareil, "Montage sur le caisson"

Lisez et suivez toujours les instructions d'installation complètes contenues dans ce manuel.

Pour enlever l'emballage

Remarque : Pour éviter d'endommager le plancher, laissez l'unité dans la portion inférieure de l'emballage jusqu'au moment de le placer dans l'ouverture de l'armoire. Ne pas faire glisser l'unité sur le plancher.

Différents emballages sont employés selon les modèles. Les supports peuvent avoir l'air différents. Les supports restent dans la base de l'emballage.

1. Couper les attaches à l'extérieur de la boîte.
2. Enlever la boîte de carton.
3. Retirer le carton sur le dessus et sur les côtés ainsi que les pièces d'arrimage en styromousse.
4. Placez le four devant l'armoire à l'endroit où il sera installé.

AVIS : Pour éviter d'endommager le four à micro-ondes, ne saisissez pas ou n'utilisez pas la porte ou la poignée de porte pendant que le four à micro-ondes est manipulé.

Exigences en matière de dimensions et d'armoire

Exigences générales concernant le meuble

Les exigences concernant le meuble dépendent du modèle à poser. Veuillez consulter le chapitre *Dimensions* pour obtenir des précisions sur votre modèle.

Tous les modèles exigent :

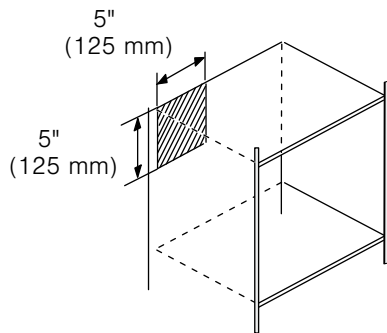
- Un espace de $\frac{1}{4}$ po (6.4 mm) entre la paroi latérale du four et le mur adjacent ou la porte de l'armoire s'il l'unité est installée à la fin d'une série d'armoire.
- La base du caisson doit être plate et en mesure de soutenir le poids de l'appareil lorsqu'il est en utilisation. Voyez le poids approprié pour votre modèle dans la section *Dimensions* propre à votre modèle particulier. Pour les unités combinées, consultez la section *Exigences sur les dimensions du caisson* dans le manuel d'installation de votre appareil combiné.
- La porte de l'appareil chevauchera le meuble ci-dessous d'environ 5 mm à son ouverture. Au besoin, vous pouvez élever l'appareil en ajoutant un panneau de l'épaisseur requise sur le haut de la base de support. La base de support doit être de niveau et fixée solidement au caisson.

Zone de la prise de courant

Appareil avec raccordement par fiche : La prise peut être aménagée dans tout point de la zone ombrée.

Appareil avec raccordement de conduit de fils :

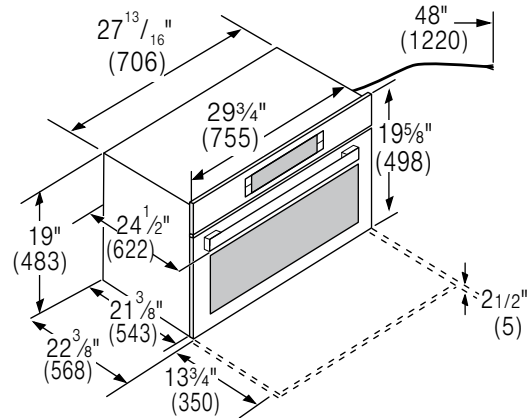
- Pour une installation autonome, la boîte de connexion électrique doit être montée sur le mur à l'intérieur de la cavité du caisson en tous points à l'intérieur de la zone ombrée.
- Pour une installation dans le cadre d'une installation combinée de divers appareils Bosch, veuillez consulter le manuel d'installation de l'unité combinée.



Dimensions pour les unités installées au mur de 30 po (76 cm).

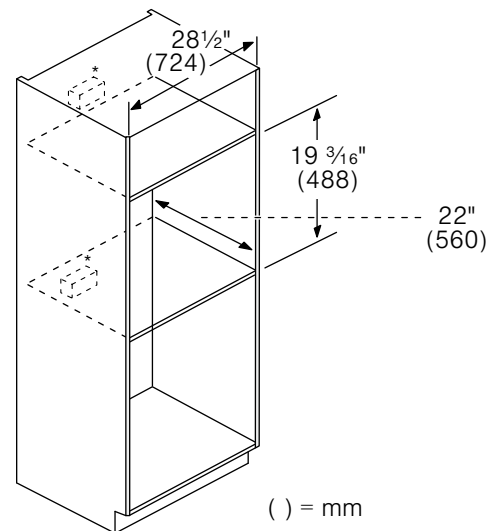
HMC80151UC
HMC80251UC

Dimensions de l'appareil



() = mm

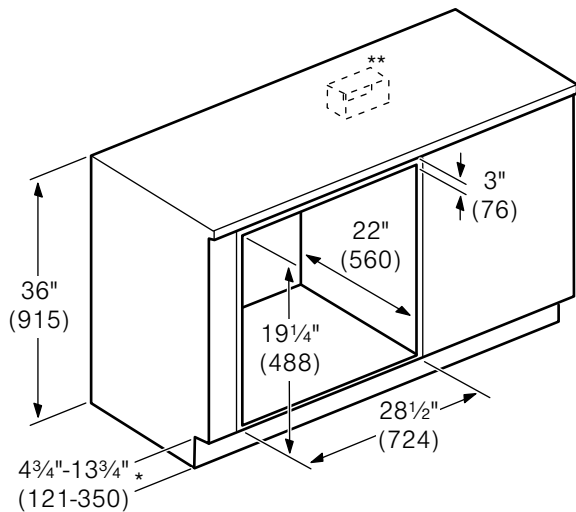
Dimensions de la découpe des armoires



() = mm

AVIS : Le socle du coffret doit être plate et apte à soutenir un poids d'au moins 142 lbs (64.1 kg).

Dimensions des unités de 30 po (762 mm) sous le comptoir



Installation affleurante des unités de 30 po (762 mm)

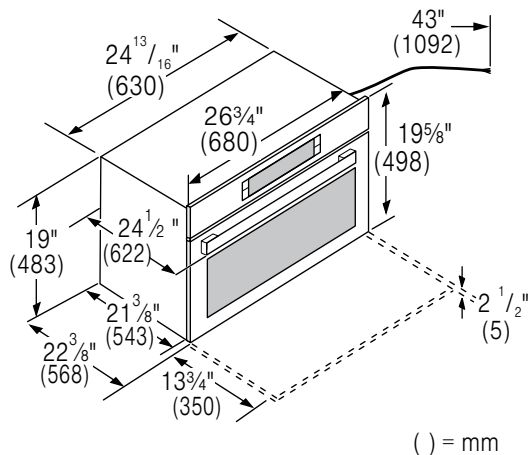
Une installation affleurante nécessite également :

- deux cales latérales fixées à l'intérieur du cadre de l'armoire, décalées de l'avant
- une plaque de base de $\frac{5}{16}$ " (8 mm) sous la partie principale de l'appareil.

Dimensions pour les unités installées au mur de 27 po (68,5 cm)

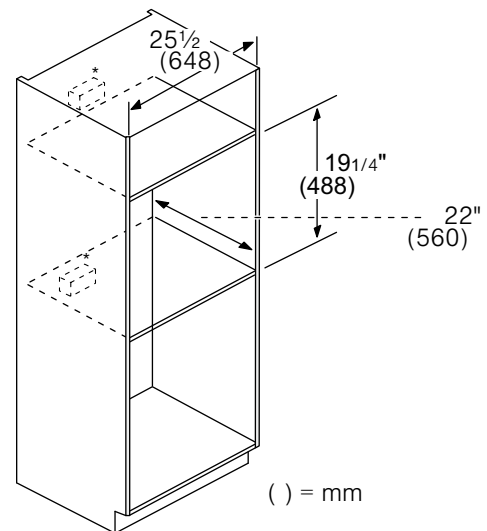
HMC87151UC

Dimensions de l'appareil



() = mm

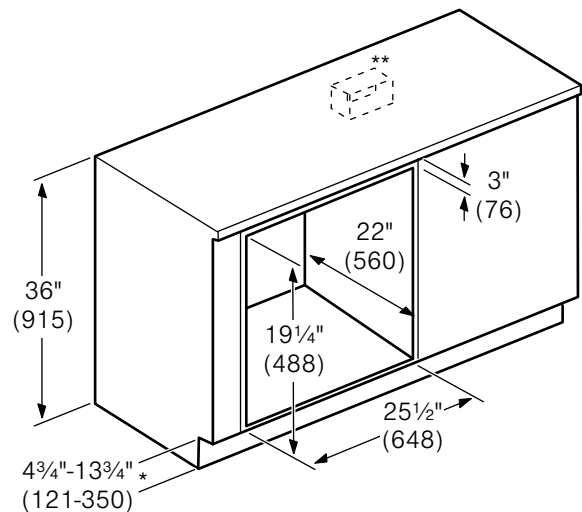
Dimensions de la découpe des armoires



() = mm

AVIS : Le socle du coffret doit être plat et apte à soutenir un poids d'au moins 142 lbs (64.1 kg).

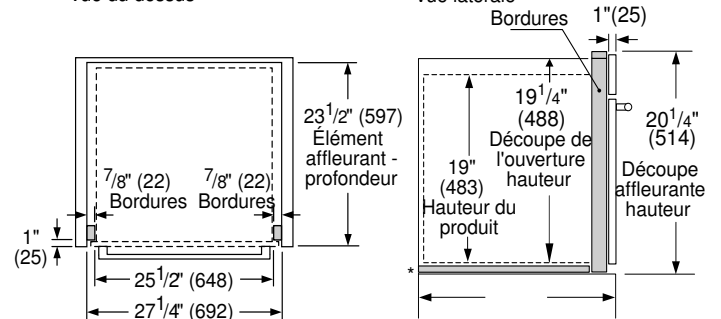
Dimensions des unités de 27 po (686 mm) sous le comptoir



Montage affleurant modèles à 27"

Vue du dessus

Vue latérale



*plaque de base $\frac{5}{16}$ " (8)

Mesures en pouces (mm)

Une installation affleurante nécessite également :

- deux cales latérales fixées à l'intérieur du cadre de l'armoire, décalées de l'avant
- une plaque de base de $\frac{5}{16}$ " (8 mm) sous la partie principale de l'appareil.

Installation électrique

Les modèles figurant sur la couverture avant sont soit à deux alimentations, soit sont conçus pour être raccordés à une source d'alimentation 208/240 V CA, 60 Hz, 4 fils, monophasée ou à une source de 120 V CA, 60 Hz avec une fiche NEMA 5-20 pour se raccorder à un circuit pour micro-ondes de 120 V dédié.

Les modèles de 208/240 V peuvent également être combinés avec certains fours intégrés Bosch et peuvent se connecter directement à l'appareil combiné. Pour ce faire, reportez-vous aux instructions détaillées fournies avec la trousse de combinaison Bosch.

▲ AVERTISSEMENT

Pour un raccordement à une source d'alimentation triphasée de 120/208 V à 4 ou 5 fils, le conducteur de phase C n'est pas requis pour faire fonctionner l'appareil.

Modèle	Raccorde- ment	Circuit Exigences	
HMC80251UC	Câble de conduit à 4 fils	208 V,	20
		60 Hz	ampères
HMC80151UC	NEMA 5-20	240 V,	20
		60 Hz	ampères
HMC87151UC	NEMA 5-20	120 V,	20
		60 Hz	ampères

Raccordement électrique avec fiche

HMC87151UC

HMC80151UC

Exigences électriques :

- une prise mise à la terre à trois fiches
- 120 V, 60 Hz, CA seulement
- Source d'alimentation électrique de 200 ampères avec fusible ou disjoncteur

Ce produit doit être raccordé à un circuit d'alimentation de la tension et de la fréquence appropriées. La taille du fil doit être conforme aux exigences du Code national d'électricité ou du code local en vigueur pour cette capacité. Le cordon d'alimentation et la fiche doivent être jumelés à une prise de courant séparée mise à la terre d'un seul circuit de dérivation de 200 ampères. La boîte de sortie doit être aménagée dans la zone derrière l'appareil (voir la section *Dimensions du caisson*). La boîte de sortie et le circuit d'alimentation doivent être installés par un électricien qualifié et être conformes au Code national de l'électricité ou du code local en vigueur.

La tension utilisée doit être la même que celle spécifiée sur le four à micro-ondes. L'utilisation d'une tension supérieure est dangereuse et pourrait entraîner un feu ou des dommages au four. L'utilisation d'une tension plus basse ralentira la cuisson. Le revendeur n'est pas

responsable de dommages résultant de l'utilisation du four sur une tension autre que celle spécifiée.

Raccordement électrique avec conduit de fils

HMC80251UC

La source d'alimentation devrait être une source monophasée à CA à 4 fils. Installer une boîte de connexions convenable (non fournie). Un connecteur de raccord de taille appropriée homologué UL doit être utilisé pour fixer correctement le raccord à la boîte de jonction.

AVIS : Les codes locaux peuvent varier; l'installation, les branchements électriques et la mise à la terre doivent se conformer à tous les codes locaux applicables.

Si les codes locaux autorisent la mise à la terre au moyen d'un point neutre d'alimentation électrique, connectez à la fois le fil neutre blanc et le fil de terre dénudé du four au fil d'alimentation électrique neutre blanc.

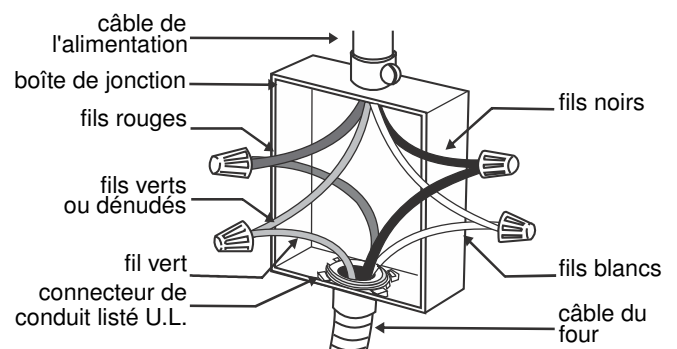
Raccordement électrique

La connexion de circuit terminal à 4 fils est recommandée, mais là où les codes le permettent, la connexion à 3 fils est acceptable.

▲ AVERTISSEMENT

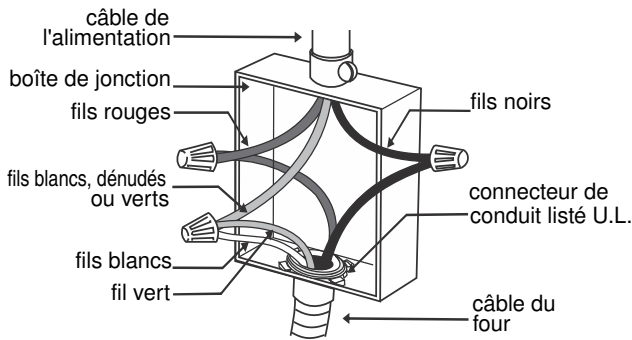
Pour un raccordement à une source d'alimentation triphasée de 120/208 V à 4 ou 5 fils, le conducteur de phase C n'est pas requis pour faire fonctionner l'appareil.

Connexion à quatre fils Neutre non mis à la terre



- Brancher le fil rouge du four au fil d'alimentation électrique rouge (fil chaud).
- Brancher le fil noir du four au fil d'alimentation électrique noir (fil chaud).
- Brancher le fil neutre blanc du four au fil neutre blanc (pas le fil de terre nu ou vert) de l'alimentation électrique.
- Brancher le fil de terre vert du four au fil de terre nu ou vert de l'alimentation électrique.

Connexion à trois fils Neutre mis à la terre



- Raccordez le fil rouge du four au fil rouge dans le boîte de jonction.
- Raccordez le fil noir du four au fil noir dans le boîte de jonction.
- Raccordez le fil de mise à terre vert et le fil blanc du four au fil blanc, vert ou dénudés neutre dans le boîte de jonction.

Le conduit pivote à l'endroit où il est raccordé au four. Faites pivoter le conduit vers le haut (ou vers le bas) et dirigez-le vers le trou de l'armoire pour le brancher à la boîte de connexion.

Pour maintenir l'alimentation, le conduit plié ne doit pas être raccourci et devrait être orienté de façon à pouvoir être retiré temporairement du four.

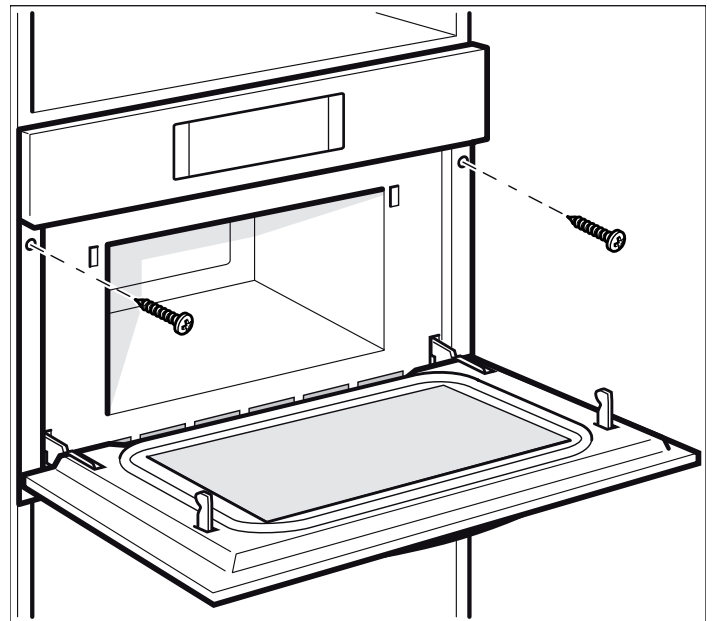
Installation de l'appareil

Remarque : L'appareil est lourd. Pour l'insérer dans la découpe, faite-vous aider par une autre personne.

AVIS : Avant d'installer le four, prenez soin de vérifier la dimension du coffret et les raccordements électriques.

Fixation à l'armoire

1. Insérez à fond l'appareil et centrez-le. Ne coudez pas le câble électrique.
2. Visez l'appareil en place.



Opération d'essai

1. Mettez sous tension au disjoncteur.
2. Pour modèle HMC80251UC : Vérifiez l'alimentation à la boîte de jonction au moyen d'un voltmètre.
Pour une installation de 240 V, la lecture entre les fils rouge et noir (ligne à ligne) devrait être de 220 à 240 volts.
Pour une installation de 208 V, la lecture entre les fils rouge et noir (ligne à ligne) devrait être de 190 à 208 volts.
3. Testez le mode de four :
Sélectionnez le mode CONVECTION. Voyez et utilisez le manuel d'entretien pour les instructions de fonctionnement détaillées.
4. Vérifiez que l'éclairage du four s'allume et que le four se met à préchauffer.
5. Testez le micro-ondes :
Placez une tasse d'eau dans la cavité du four. Suivez les instructions dans le manuel d'utilisation et d'entretien pour savoir comment chauffer une boisson.
6. Vérifiez que l'éclairage du four s'allume et que l'eau est chauffée.
7. Si l'un des tests n'aboutit pas tel que prévu ci-dessus, contactez le service pour obtenir de l'aide. Sinon, l'installation est terminée à ce moment-ci.

Soutien Bosch®

Avant d'appeler le service de dépannage

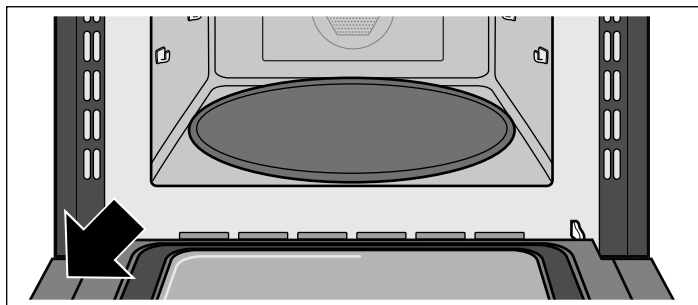
Pour des informations sur le dépannage, se reporter au Manuel d'utilisation et d'entretien. Consulter la garantie figurant dans le Manuel d'utilisation et d'entretien.

Pour contacter un technicien de dépannage, voir les coordonnées sur la couverture avant du manuel. Lorsque vous téléphonez, soyez prêt à fournir les informations imprimées sur la plaque signalétique de votre produit.

Plaque signalétique

La plaque signalétique affiche le modèle et le numéro de série. Consultez la plaque signalétique de l'appareil lorsque vous sollicitez un service.

La plaque signalétique se trouve à l'intérieur de la port de l'appareil.



Pour ne pas avoir à chercher longtemps en cas de besoin, vous pouvez inscrire ici les références de l'appareil et le numéro de téléphone du service après-vente

N° de modèle

N° FD

Date d'achat

Service après-vente ☎

Conservez votre facture ou votre contrat aux fins de validation de garantie si jamais vous avez besoin de service.

Service

Nous réalisons que vous avez effectué un investissement considérable dans votre cuisine. Nous nous engageons à offrir tout le support dont vous et votre appareil avez besoin afin que vous puissiez profiter pleinement de votre appareil.

Ne pas hésiter à contacter notre département de service à la clientèle si vous avez des questions ou dans le cas peu probable que votre appareil Bosch® ait besoin d'entretien. Notre équipe de service est prête à vous aider.

USA

800-944-2904

www.bosch-home.com/us/support

Canada

800-944-2904

www.bosch-home.ca/en/support

Pièces et accessoires

Les pièces, les filtres, les décalamineuses, les nettoyants en acier inoxydable et plus encore peuvent être achetés dans le magasin en ligne Bosch ou par téléphone.

USA

www.bosch-home.com/us/store

Canada

Marcone 800-482-6022

ou

Reliable Parts 800-941-9217

Contenido

Definiciones de Seguridad	23	Dimensiones y requisitos del gabinete	27
INSTRUCCIONES DE SEGURIDAD IMPORTANTES ..	24	Requisitos generales del gabinete	27
Seguridad con el manejo del electrodoméstico	24	Sección de la toma de corriente	27
Códigos y normas de seguridad	24	Dimensiones para unidades montadas a la pared de 30 pulg.	27
Advertencias en virtud de la Proposición 65 del estado de California	24	Dimensiones para unidades montadas a la pared de 27 pulg.	28
Seguridad con la electricidad	24	Instalación eléctrica	29
Seguridad con el microondas	25	Conexión eléctrica con enchufe	29
Seguridad relacionada con los equipos	25	Conexión eléctrica con conducto de cable	29
Antes de empezar	26	Montaje del electrodoméstico	30
Herramientas y piezas necesarias	26	Monte el electrodoméstico en el gabinete	30
Piezas incluidas	26	Prueba del funcionamiento	31
Requisitos de electricidad	26	Soporte de Bosch®	31
Lista de verificación de instalación	26	Antes de llamar al servicio	31
Quitar el embalaje	26	Placa de datos	31
		Servicio técnico	31
		Piezas y accesorios	31

¿Preguntas?

1-800-944-2904

www.bosch-home.com

1901 Main Street, Suite 600
Irvine, CA 92614

¡Con gusto lo atenderemos!

Definiciones de Seguridad

▲ ADVERTENCIA

Esto indica que se pueden producir lesiones graves o la muerte si no se cumple con esta advertencia.

▲ ATENCION

Esto indica que pueden producirse lesiones leves o moderadas si no se cumple con esta advertencia.

AVISO: esto indica que puede producirse un daño al electrodoméstico o a la propiedad como resultado de la falta de cumplimiento de este aviso.

Nota: Esto lo alerta sobre información y/o consejos importantes.

INSTRUCCIONES DE SEGURIDAD IMPORTANTES

LEER TODAS LAS INSTRUCCIONES ANTES DE UTILIZAR EL APARATO

INSTALADOR: DEJE ESTAS INSTRUCCIONES CON EL ELECTRODOMÉSTICO CUANDO HAYA FINALIZADO LA INSTALACIÓN.

IMPORTANTE: CONSERVE ESTAS INSTRUCCIONES PARA USO DEL INSPECTOR DE ELECTRICIDAD LOCAL.

ADVERTENCIA

Si no sigue la información de este manual exactamente, se puede ocasionar un incendio o una descarga eléctrica que puede causar daños materiales o lesiones personales.

ADVERTENCIA

No repare ni reemplace ninguna parte del electrodoméstico, a menos que esté específicamente recomendado en este manual. Nunca modifique ni altere la construcción del electrodoméstico. La instalación, servicio técnico o mantenimiento incorrectos pueden causar lesiones o daños materiales. Consulte este manual para su orientación. Remita todas las reparaciones a un centro de servicio técnico autorizado por la fábrica.

Seguridad con el manejo del electrodoméstico

La unidad es pesada y se requieren al menos dos personas o un equipo adecuado para trasladarla. No levante el electrodoméstico tomándolo del asa de la puerta.

Las superficies ocultas pueden tener bordes filosos. Proceda con cuidado al intentar tomar el electrodoméstico por la parte trasera o desde abajo.

Códigos y normas de seguridad

Este electrodoméstico cumple con la última versión de una o más de las siguientes normas:

- CAN/CSA C22.2 No. 61 - Estufas de uso doméstico (Household Cooking Ranges)
- UL 858 - Estufas eléctricas de uso doméstico (Household Electric Ranges)
- CAN/CSA C22.2 N.º 150 - Hornos de microondas (Microwave Ovens)
- UL 923 - Electrodomésticos de cocción por microondas (Microwave Cooking Appliances)
- UL 507 - Ventiladores eléctricos (Electric Fans)
- CAN/CSA C22.2 No. 113 - Ventiladores (Fans and Ventilators)

- CSA C22.2 N.º 64 - Electrodomésticos para cocinar y para calentar líquidos de uso doméstico (Household Cooking and Liquid-Heating Appliances)
- UL 1026 - Electrodomésticos para cocinar y para servir alimentos eléctricos de uso doméstico (Electric Household Cooking and Food Serving Appliances)

Es responsabilidad del propietario y el instalador determinar si se aplican otros requisitos y/o normas en instalaciones específicas.

Advertencias en virtud de la Proposición 65 del estado de California

ADVERTENCIA

Este producto contiene una o más sustancias químicas que el estado de California sabe que provocan cáncer, defectos congénitos, u otro daño reproductivo.

Seguridad con la electricidad

ADVERTENCIA

Antes de enchufar un cable eléctrico o apagar la fuente de alimentación eléctrica, asegúrese de que todos los controles se encuentren en la posición OFF (Apagado).

ADVERTENCIA

Antes de la instalación debe desenchufarse el aparato de la fuente de alimentación.

Para los electrodomésticos equipados con cable y enchufe, no corte ni retire la espiga de conexión a tierra. Debe enchufarse en un receptáculo de conexión a tierra compatible para evitar descargas eléctricas. Si tiene alguna duda respecto de si el receptáculo de pared está correctamente conectado a tierra, el cliente debe solicitar la verificación de un electricista calificado.

Si el Código Nacional Eléctrico (o el Código Eléctrico Canadiense) así lo requiere, este electrodoméstico debe instalarse en un circuito derivado por separado.

El instalador debe mostrar al propietario la ubicación del disyuntor o el fusible. Márquela para recordarla más fácilmente.

Antes de realizar la instalación, apague la alimentación eléctrica en el panel de servicio. Trabe el panel de servicio para impedir que se encienda accidentalmente la alimentación eléctrica.

Asegúrese de que el electrodoméstico sea correctamente instalado y conectado a tierra por un técnico calificado. La instalación, las conexiones eléctricas y la conexión a tierra deben cumplir con todos los códigos correspondientes.

INSTRUCCIONES DE SEGURIDAD IMPORTANTES

LEER TODAS LAS INSTRUCCIONES ANTES DE UTILIZAR EL APARATO

Seguridad con el microondas

PRECAUCIONES QUE DEBE TENER EN CUENTA ANTES DEL SERVICIO TÉCNICO Y DURANTE ESTE PARA EVITAR LA POSIBLE EXPOSICIÓN A UN EXCESO DE ENERGÍA DE MICROONDAS

- No maneje ni permita que se maneje el horno con la puerta abierta.
- Realice los siguientes controles de seguridad en todos los hornos que necesitan servicio técnico antes de activar el magnetrón u otra fuente de microondas, y haga las reparaciones según corresponda:
 1. Funcionamiento del enclavamiento
 2. Cierre correcto de la puerta
 3. Sellos y superficies sellantes (arcos eléctricos, desgaste y otros daños)
 4. Bisagras y trabas dañadas o sueltas
 5. Evidencia de caídas o abuso
- Antes de activar la alimentación eléctrica del microondas para realizar pruebas o inspecciones de servicio técnico en los compartimentos que generan microondas, verifique el magnetrón, la guía de onda luminosa o la línea de transmisión, y verifique que la alineación, la integridad y la conexión de la cavidad sean correctas.
- Se deben reparar, reemplazar o ajustar todos los componentes defectuosos o mal ajustados de los sistemas de enclavamiento, monitoreo, sello de la puerta y generación y transmisión de microondas, según los procedimientos descritos en este manual, antes de devolver el horno a su propietario.
- Se debe realizar en cada horno un control de fugas de microondas para verificar el cumplimiento con la Norma de Rendimiento Federal (Federal Performance Standard), antes de devolverlo a su propietario.

INSTRUCCIONES PARA LA CONEXIÓN A TIERRA

Este aparato debe estar conectado a tierra. En caso de un cortocircuito eléctrico, la conexión a tierra reduce el riesgo de descarga eléctrica proporcionando un cable de escape para la corriente eléctrica.

Si este aparato viene equipado con un cable que tiene un alambre de conexión a tierra con un enchufe de conexión a tierra, el enchufe debe colocarse en una toma de corriente que esté instalada y conectada a tierra en forma adecuada.

Si el aparato requiere una conexión por cable: este aparato debe estar conectado a un sistema permanente de cableado con toma a tierra, metálico, o debe tenderse un conductor de puesta a tierra de equipo con los conductores de circuito y conectarse a la terminal de tierra del equipo o al cable del aparato.

ADVERTENCIA

La incorrecta conexión a tierra puede provocar un riesgo de descarga eléctrica. Consulte a un electricista calificado si no comprende la totalidad de las instrucciones de conexión a tierra o si tiene alguna duda respecto de si el aparato está correctamente conectado a tierra. No use un cable de extensión. Si el cable de alimentación eléctrica es demasiado corto, solicite a un electricista calificado que instale una toma de corriente cerca del aparato.

Seguridad relacionada con los equipos

Retire toda la cinta y el embalaje antes de usar el electrodoméstico. Destruya el embalaje después de desembalar el electrodoméstico. Nunca deje que los niños jueguen con el material de embalaje.

Nunca modifique ni altere la construcción del electrodoméstico. Por ejemplo, no retire las patas niveladoras, paneles, cubiertas para cables ni soportes/tornillos antivuelco.

ADVERTENCIA

A fin de reducir el riesgo de incendio, utilizar únicamente conducciones de metal.

ATENCIÓN

Solo para la ventilación general. No utilizar para la extracción de sustancias y vapores peligrosos o explosivos.

Antes de empezar

Herramientas y piezas necesarias

- Destornillador con cabeza Phillips
- Taladro y broca de taladro de 1/8 pulg.
- Cinta métrica

Piezas incluidas

- Horno microondas
- Tornillos con cabeza Phillips

Requisitos de electricidad

La toma de corriente debe tener la conexión a tierra adecuada de conformidad con todos los códigos correspondientes.

Se puede instalar en la pared trasera, directamente detrás del aparato.

También puede conectar su aparato directamente a un horno encastrable convencional compatible. Consulte las instrucciones de combinación separadas.

Lista de verificación de instalación

Use esta lista de verificación para verificar que haya completado cada paso del proceso de instalación. Esta lista puede ayudarlo a evitar errores comunes.

Consulte las instrucciones detalladas para cada paso en las secciones que se encuentran a continuación de esta lista de verificación.

1. Antes de instalar el aparato, asegúrese de verificar que las medidas del gabinete sean correctas para su aparato y que estén presentes las conexiones eléctricas requeridas. Asegúrese de que el conducto eléctrico proporcionado en el aparato pueda llegar al punto de conexión.

Sección: Requisitos de medidas y del gabinete

2. Mueva el aparato a su lugar, en frente de la abertura del gabinete.

Sección: Retiro del embalaje

3. Retire los materiales de embalaje, pero deje el embalaje de la parte inferior en el aparato para evitar daños al piso.

Sección: Retiro del embalaje

4. Con ayuda, levante el aparato y colóquelo directamente en el hueco del gabinete.

Sección: Instalación del aparato, "Montaje en el gabinete"

5. Deslice completamente el aparato en su lugar.

Sección: Instalación del aparato, "Montaje en el gabinete"

6. Sujete el aparato en la abertura del gabinete con los tornillos suministrados.

Sección: Instalación del aparato, "Montaje en el gabinete"

Lea y siga siempre las instrucciones de instalación completas incluidas en este manual.

Quitar el embalaje

Nota: Para evitar que se dañe su piso, mantenga la unidad en su base de embalaje hasta que esté lista para ser colocada en la abertura del gabinete. No arrastre la unidad por el piso.

Los distintos modelos utilizan distintos materiales de embalaje. Es posible que los soportes reales tengan un aspecto distinto. El soporte permanece en la base de embalaje.

1. Corte las correas que se encuentran fuera de la caja.
2. Retire la caja de cartón.
3. Retire todas las abrazaderas superiores y laterales de cartón y Styrofoam.
4. Coloque el horno delante de los gabinetes, en el lugar donde se instalará.

AVISO: Para evitar daños al horno de microondas no agarre ni use la puerta así como tampoco la manija de la puerta mientras se está manejando el horno de microondas.

Dimensiones y requisitos del gabinete

Requisitos generales del gabinete

Los requisitos del gabinete varían según el modelo a instalar. Por favor consulte la sección *dimensión* para los detalles relativos a su modelo en particular.

Todos los modelos requieren:

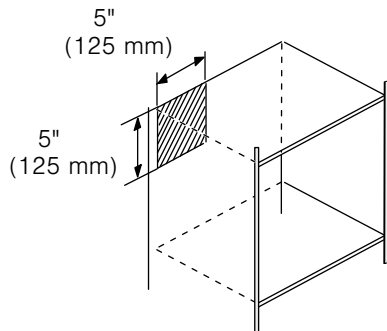
- Un espacio de ¼ pulg. (6.4 mm) entre el costado del horno y una pared adyacente o la puerta del gabinete, cuando está instalado al final de un tramo de gabinetes.
- La base del gabinete debe ser plana y debe ser capaz de soportar el peso de su aparato cuando esté en uso. Consulte el peso adecuado para su modelo en la sección *Medidas* correspondiente a su modelo en particular. Para las unidades combinadas, consulte la sección *Requisitos de medidas del gabinete* en el manual de instalación de su aparato combinado.
- La puerta del aparato se superpondrá con el mueble que se encuentre debajo aproximadamente 5 mm cuando esté abierta. De ser necesario, puede elevar la posición del aparato agregando un panel del grosor requerido encima de la base de apoyo. La base de apoyo debe estar nivelada y debe fijarse firmemente al gabinete.

Sección de la toma de corriente

Aparatos con conexión de enchufe: la toma de corriente puede estar ubicada en cualquier lugar dentro de la sección sombreada.

Aparatos con conexión de conducto de cable:

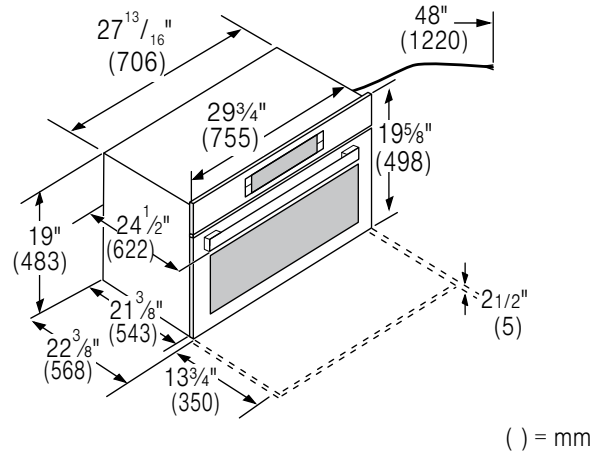
- Para una instalación como una unidad independiente, debe montarse la caja de conexión eléctrica en la pared dentro de la cavidad del gabinete en cualquier lugar dentro de la sección sombreada.
- Para una instalación como parte de una combinación de diversos aparatos Bosch, consulte el manual de instalación de la unidad combinada



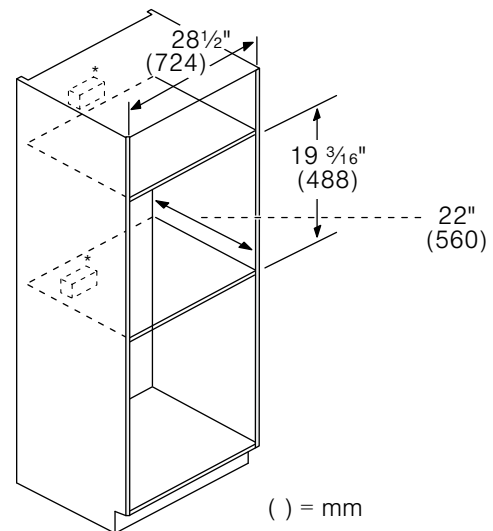
Dimensiones para unidades montadas a la pared de 30 pulg.

HMC80151UC
HMC80251UC

Dimensiones del electrodoméstico

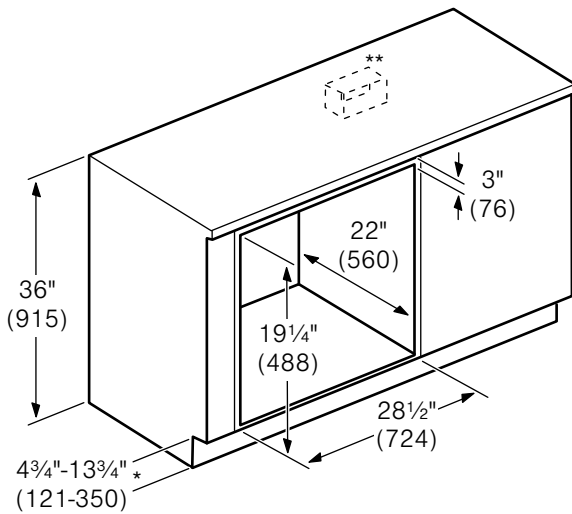


Dimensiones del hueco para el gabinete



AVISO: La base del gabinete debe ser plana y capaz de sostener un peso de por lo menos 142 lb (64.1 kg).

Dimensiones bajo barra unidades de 30"



Instalación a ras unidades de 30"

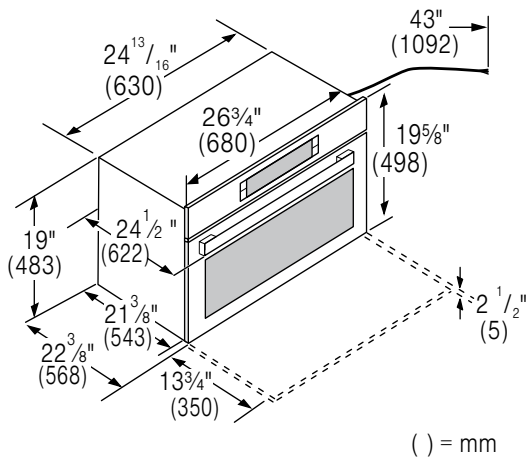
La instalación a ras requiere también:

- dos refuerzos laterales a fijarse dentro del marco del gabinete, empotrados desde la parte delantera.
- una placa base de $\frac{5}{16}$ " (8 mm) debajo del cuerpo de la unidad.

Dimensiones para unidades montadas a la pared de 27 pulg.

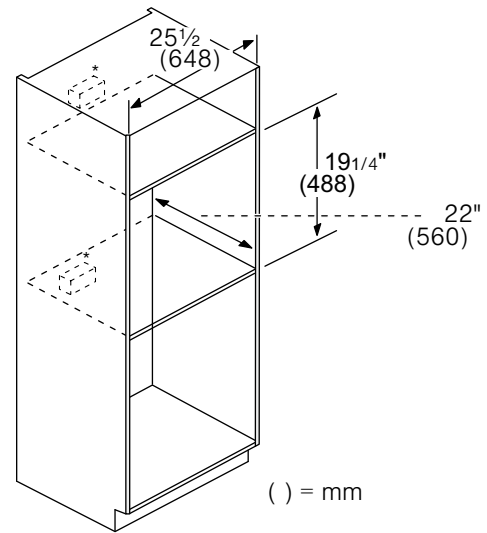
HMC87151UC

Dimensiones del electrodoméstico



() = mm

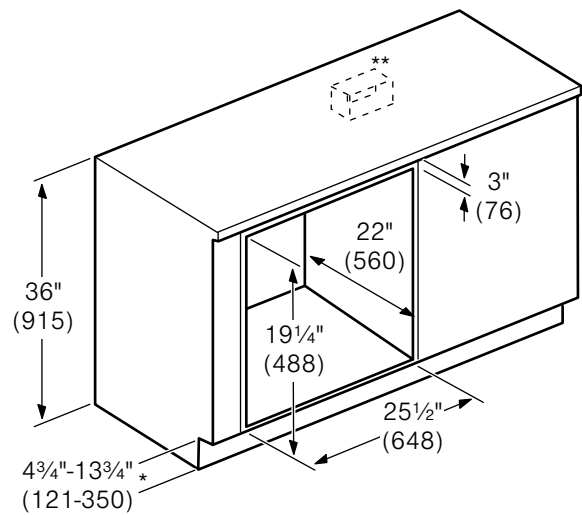
Dimensiones del hueco para el gabinete



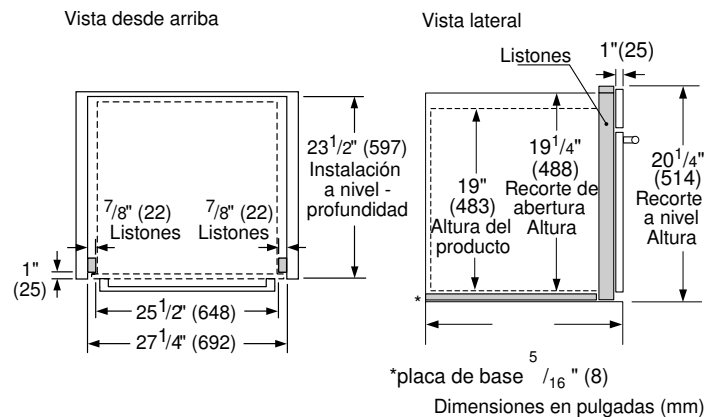
() = mm

AVISO: La base del gabinete debe ser plana y capaz de sostener un peso de por lo menos 142 lb (64.1 kg).

Dimensiones bajo barra unidades de 27"



Montaje a nivel modelos de 27"



*placa de base $\frac{5}{16}$ " (8)

Dimensiones en pulgadas (mm)

La instalación a ras requiere también:

- dos refuerzos laterales a fijarse dentro del marco del gabinete, empotrados desde la parte delantera.
- una placa base de $\frac{5}{16}$ " (8 mm) debajo del cuerpo de la unidad.

Instalación eléctrica

Los modelos que aparecen en la portada tienen una capacidad nominal doble, están diseñados para ser conectados a un suministro de alimentación de 208/240 V CA, 60 Hz, 4 hilos, monofásico o tienen una capacidad nominal de 120 V CA, 60 Hz y utilizan un enchufe NEMA 5-20 para conectarse a un circuito especialmente diseñado para microondas de 120 V.

Los modelos de 208/240 V también pueden combinarse con algunos hornos encastrables Bosch y pueden conectarse directamente al aparato combinado. Para hacer esto, consulte las instrucciones detalladas en el kit de combinación de Bosch.

▲ ADVERTENCIA

Si se conecta a una fuente de alimentación trifásica de 4 o 5 hilos y 120/208 V, el conductor de fase C no es necesario para el funcionamiento del aparato.

Modelo	Conexión	Requisitos del circuito	
HMC80251UC	Cable de conducto de 4 hilos	208 V, 60 Hz	20 A
		240 V, 60 Hz	20 A
HMC80151UC	NEMA 5-20	120 V, 60 Hz	20 A
HMC87151UC	NEMA 5-20	120 V, 60 Hz	20 A

Conexión eléctrica con enchufe

HMC87151UC

HMC80151UC

Requisitos eléctricos:

- Una toma de corriente de tres espigas conectada a tierra.
- 120 V, 60 Hz, CA únicamente.
- Suministro eléctrico de 20 A con un fusible o un disyuntor.

Este producto debe conectarse a un circuito de suministro que tenga una tensión y una frecuencia adecuadas. El tamaño del cable debe cumplir con los requisitos del Código Eléctrico Nacional o el código local pertinente para esta capacidad nominal. El cable y el enchufe de suministro de alimentación deben colocarse en una única toma de corriente conectada a tierra de circuito derivado de 20 A separada. La caja de la toma de corriente debe ubicarse en la sección detrás del aparato (consulte la sección *Medidas del gabinete*). La caja de la toma de corriente y el circuito de suministro deben ser instalados por un electricista calificado y cumplir con el Código Eléctrico Nacional o el código local pertinente.

La tensión utilizada debe ser la misma que la especificada en este horno microondas. El uso de una tensión mayor es peligroso y puede provocar un incendio o daños al horno. Usar una tensión menor hará que los alimentos se cocinen lentamente. El comerciante no es responsable de ningún daño que se produzca por el uso del horno con una tensión que no sea la especificada.

Conexión eléctrica con conducto de cable HMC80251UC

El suministro eléctrico debe ser de CA monofásica, de 4 hilos. Instale una caja de conductos adecuada (no viene incluida). Debe utilizarse un conector de conductos de tamaño adecuado, incluido en el listado de UL para unir correctamente el conducto a la caja de empalme.

AVISO: Los códigos locales pueden variar. La instalación, las conexiones eléctricas y la conexión a tierra deben cumplir con todos los códigos locales aplicables.

Si los códigos locales permiten hacer la conexión a tierra a través del cable neutro del suministro eléctrico, conecte el cable neutro blanco y el cable de conexión a tierra desnudo del horno al cable neutro blanco del suministro eléctrico.

Conexión eléctrica

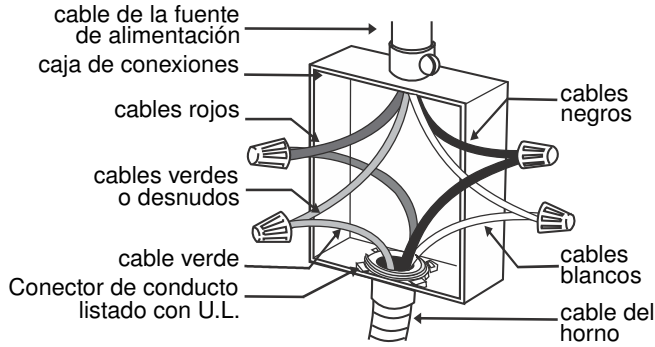
La conexión del circuito con cuatro hilos es preferible pero donde los códigos locales lo permiten, se acepta también una conexión con tres hilos.

▲ ADVERTENCIA

Si se conecta a una fuente de alimentación trifásica de 4 o 5 hilos y 120/208 V, el conductor de fase C no es necesario para el funcionamiento del aparato.

Conexión a cuatro cables

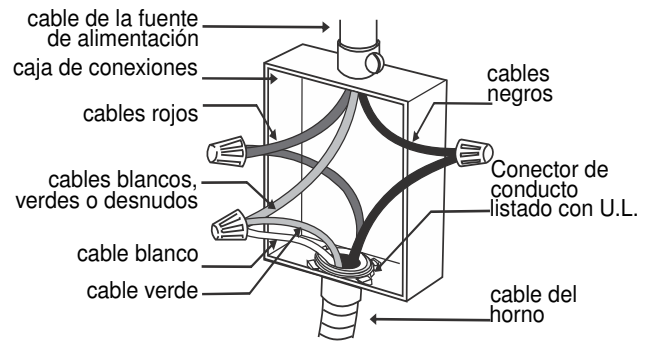
Neutral no aterrizado



- Conecte el cable rojo del horno al cable rojo del suministro eléctrico (cable con corriente).
- Conecte el cable negro del horno al cable negro del suministro eléctrico (cable con corriente).
- Conecte el cable neutro blanco del horno al cable neutro blanco (no el de conexión a tierra desnudo o verde) del suministro eléctrico.
- Conecte el cable de conexión a tierra verde del horno al cable de conexión a tierra desnudo o verde del suministro eléctrico.

Conexión de tres cables

Neutral aterrizado



- Conecte el cable rojo del horno al cable rojo en la caja de conexiones.
- Conecte el cable negro del horno al cable negro en la caja de conexiones.
- to white, green or bare neutral wire in junction box. Conecte el cable de conexión a tierra verde y el cable blanco del horno al cable neutro blanco, verde o desnudo en la caja de conexiones.

El cable de conducto, donde está conectado al horno, gira. Gire el cable de conducto hacia arriba (o hacia abajo) e introdúzcalo en el orificio preparado en el gabinete para conectarlo a la caja de empalme.

Para mantener las condiciones que permitan realizar un buen servicio técnico, el conducto flexible no debe acortarse y debe enrutarse de manera que permita retirar temporalmente el horno.

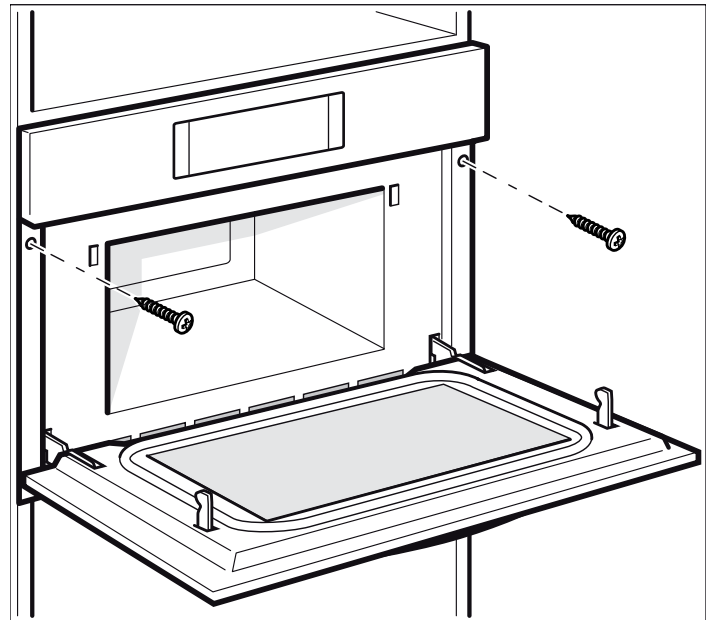
Montaje del electrodoméstico

Nota: El aparato pesa demasiado. Se aconseja dos personas para insertarlo.

AVISO: Antes de instalar el horno, asegúrese de verificar las dimensiones del gabinete y las conexiones eléctricas.

Monte el electrodoméstico en el gabinete

1. Inserte el aparato por completo y céntrelo. No pliegue el cable eléctrico.
2. Atornille el aparato en su lugar.



Prueba del funcionamiento

1. Encienda la alimentación eléctrica desde el disyuntor.
2. Para el modelo HMC80251UC: Controle la alimentación eléctrica de la caja de empalme usando un voltímetro.
Para la instalación con 240 V, la lectura entre los cables rojo y negro (línea a línea) debe ser de entre 220 y 240 voltios.
Para la instalación con 208 V, la lectura entre los cables rojo y negro (línea a línea) debe ser de entre 190 y 208 voltios.
3. Pruebe el modo del horno:
Seleccione el modo CONVECTION (Convección). Consulte el Manual de uso y cuidado para obtener instrucciones de uso detalladas.
4. Verifique que la luz del horno se encienda y que el horno comience a precalentarse.
5. Pruebe el microondas:
Coloque una taza de agua en la cavidad del horno. Siga las instrucciones que se indican en el Manual de uso y cuidado sobre cómo calentar una bebida.
6. Verifique que la luz del horno se encienda y que el agua se caliente.
7. Si alguna de las pruebas no funciona según se explicó anteriormente, comuníquese con el servicio técnico para obtener asistencia. De lo contrario, la instalación finaliza en este momento.

Soporte de Bosch®

Antes de llamar al servicio

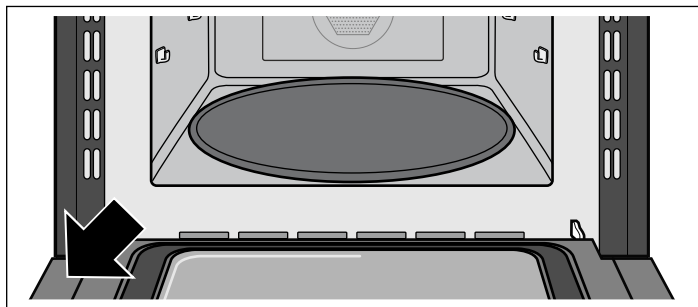
Para obtener información sobre resolución de problemas, consulte el Manual de uso y cuidado. Consulte la garantía en el Manual de uso y cuidado.

Para consultar a un representante de servicio técnico, remítase a la información de contacto que aparece en el frente del manual. Cuando llame, tenga a la mano la información impresa en la placa de datos de su producto.

Placa de datos

La placa de datos muestra el modelo y el número de serie. Al solicitar servicio técnico, consulte la placa de datos del aparato.

La placa de datos puede encontrarse en el interior de la puerta del aparato.



Para evitar tener que buscar los datos de su aparato cuando los precise, es aconsejable anotarlos aquí conjuntamente con el número de teléfono del Servicio de atención al cliente:

Nº de modelo

Nº FD

Fecha de compra

Servicio de atención al cliente ☎

Conserve su factura o los papeles de depósito para la validación de la garantía si necesita solicitar servicio técnico.

Servicio técnico

Sabemos que usted ha realizado una inversión considerable en su cocina. Nos dedicamos a brindar asistencia a usted y a su aparato de manera que tenga muchos años de cocina creativa.

No dude en comunicarse con nuestro Departamento de Atención al Cliente si tiene alguna pregunta o en el caso poco probable de que su aparato Bosch® necesite servicio técnico. Nuestro equipo de servicio técnico está listo para asistirlo.

EUA

800-944-2904

www.bosch-home.com/us/support

Canadá

800-944-2904

www.bosch-home.ca/en/support

Piezas y accesorios

Puede comprar piezas, filtros, productos para eliminar el sarro, limpiadores para acero inoxidable y más artículos en la tienda electrónica de Bosch® o por teléfono.

EUA

www.bosch-home.com/us/store

Canadá

Marcone 800-482-6022

o

Reliable Parts 800-941-9217



9000927801

940930



BOSCH

Invented for life

1901 Main Street, Suite 600 • Irvine, CA 92614 • 800-944-2904
www.bosch-home.com • © 2012 BSH Home Appliances