

24" Pocket Handle Dishwasher

300 Series DLX – Stainless Steel SHP53TL5UC



SHP53TL5UC
Stainless Steel

Bosch dishwashers are so quiet, you may forget they're on. InfoLight® projects a red light onto the floor to let you know it's on.

Features & Benefits

46 dBA: Quietest dishwasher brand.

InfoLight® shines on the floor so you know the dishwasher's running.

RackMatic® offers 3 height levels, for 9 possible rack positions.

Detergent tray optimizes detergent dissolving.

AquaStop® leak protection works 24/7 to prevent water damage.

General Properties

| | |
|---------------------------|---------------------------|
| Number of wash cycles | 4 |
| Number of options | 5 |
| dBA | 46 |
| Third rack | |
| Rack adjustability | RackMatic® |
| Tub material | Stainless steel |
| Control type | Buttons |
| Concealed heating element | Yes |
| Leak protection system | 24/7 AquaStop® |
| Water softener | No |
| Five-level wash | Yes |
| ChildLock | No |
| Special features | InfoLight®, SpeedPerfect™ |

Efficiency

| | |
|---------------------------------------|--------|
| Water usage per cycle | 2.9 |
| Energy efficiency class | Tier 1 |
| ENERGY STAR® qualified | Yes |
| Total annual energy consumption (kWh) | 259 |
| Total annual water consumption (g) | 624 |

Capacity

| | |
|--------------------------|----|
| Number of place settings | 15 |
|--------------------------|----|



Technical Details

| | |
|---------------------------------|----------|
| Watts (W) | 1300 W |
| Current (A) | 12 Amps |
| Volts (V) | 120 V |
| Frequency (Hz) | 60 Hz |
| Power cord length | 56 5/16" |
| Minimum water pressure (lb/sin) | 14 |
| Length inlet hose (in) | 60" |
| Length outlet hose (in) | 79" |

Dimensions & Weight

| | |
|---|------------------------------|
| Overall appliance dimensions (HxWxD) (in) | 33 7/8" x 23 9/16" x 23 3/4" |
| Required cutout size (HxWxD) (in) | 33 7/8" x 23 5/8" x 24" |
| Adjustable feet | Yes |
| Net weight (lbs) | 84 lbs |

Accessories—Optional

| | |
|---|------------|
| Dishwasher Supply and Drainage Hose Extension 76 3/4" | SGZ1010UC |
| Dishwasher 3-Prong Power Cord 66 7/8" | SMZPC002UC |
| Dishwasher Accessory Kit | SMZ5000 |
| Anti-tarnish Silverware Cassette | SMZ5002UC |



For help and assistance with Bosch accessories please visit: www.bosch-eshop.com/eshop/bosch/us or call 1-800-944-2904 Mon-Fri 5am to 6pm PST Sat 6am to 3pm PST

Notes: All height, width and depth dimensions are shown in inches. Please refer to installation instructions prior to making cutout. BSH reserves the absolute and unrestricted right to change product materials and specifications, at any time, without notice. Consult the product's installation instructions for final dimensional data and other details. Applicable product warranty can be found in accompanying product literature or you may contact your account manager for further details.

Warranties: Bosch warrants that the Product is free from defects in materials and workmanship for a period of three hundred and sixty-five (365) days from the date of purchase. The foregoing timeline begins to run upon the date of purchase, and shall not be stalled, tolled, extended, or suspended, for any reason whatsoever. This Product is also warranted to be free from cosmetic defects in material and workmanship (such as scratches of stainless steel, paint/porcelain blemishes, chip, dents, or other damage to the finish of the Product, for a period of thirty (30) days from the date of purchase or closing date for new construction. This cosmetic warranty excludes slight color variations due to inherent differences in painted and porcelain parts, as well as differences caused by kitchen lighting, product location, or other similar factors. This cosmetic warranty specifically excludes any display, floor, "As Is", or "B" stock appliances.

For more information on our entire line of products, go to www.bosch-home.com/us or call 1-800-944-2904

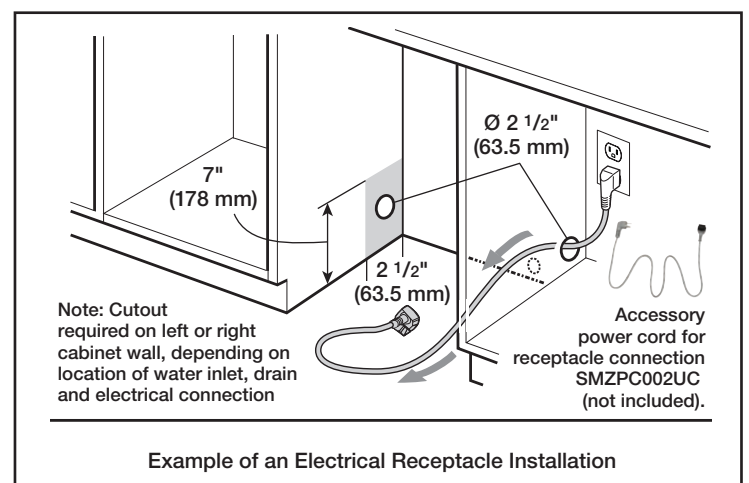
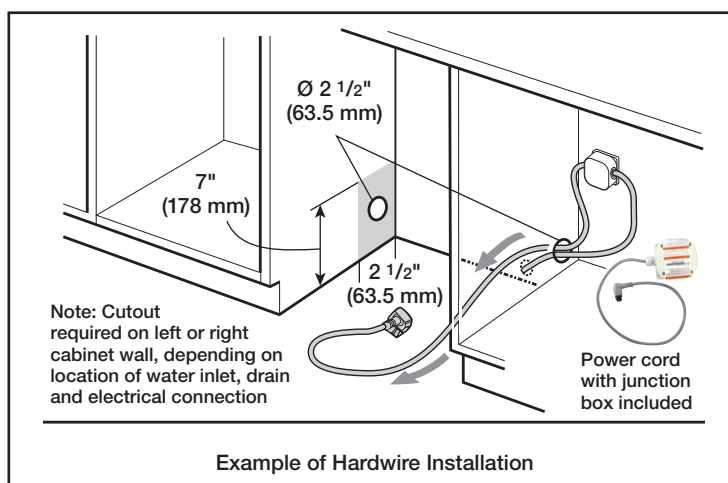
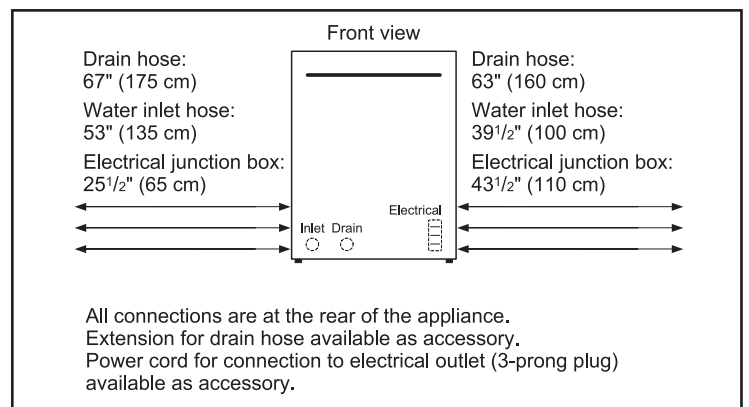
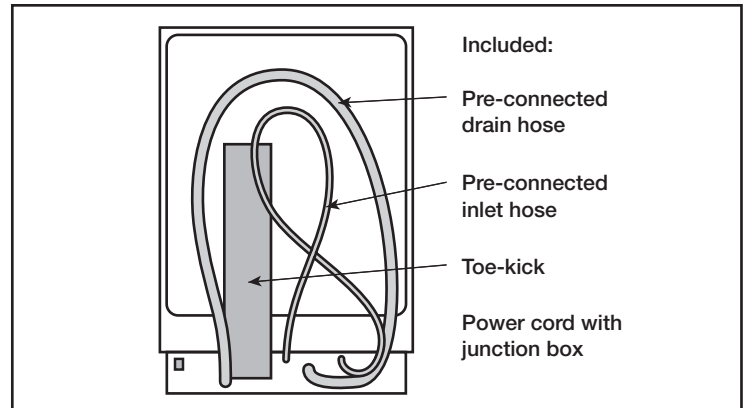
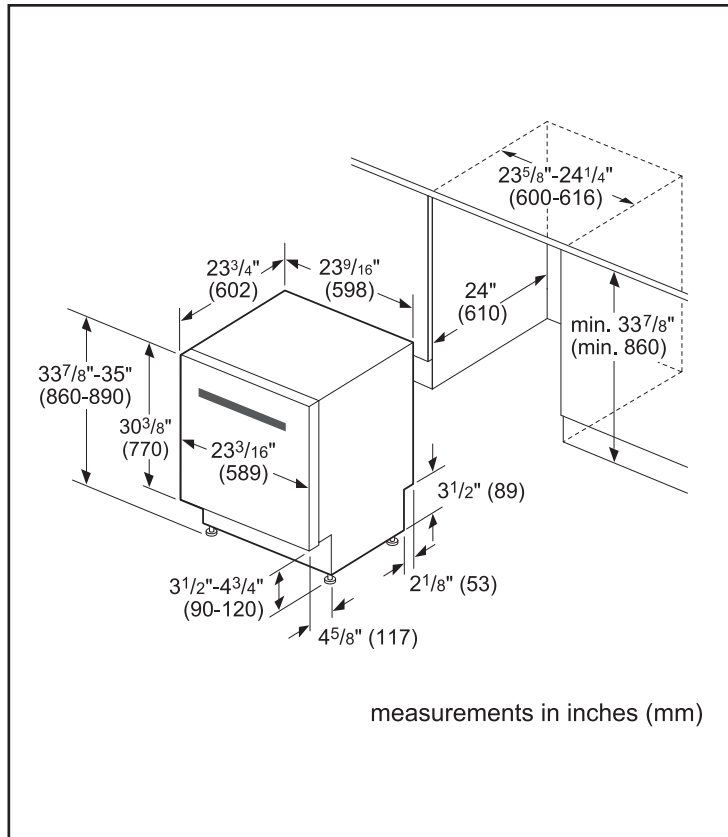
© BSH Home Appliances Corporation. All rights reserved. Bosch is a registered trademark of Robert Bosch GmbH.

24" Pocket Handle Dishwasher

300 Series DLX – Stainless Steel SHP53TL5UC



Installation Details



For help and assistance with Bosch accessories please visit: www.bosch-eshop.com/eshop/bosch/us or call 1-800-944-2904 Mon-Fri 5am to 6pm PST Sat 6am to 3pm PST

Notes: All height, width and depth dimensions are shown in inches. Please refer to installation instructions prior to making cutout. BSH reserves the absolute and unrestricted right to change product materials and specifications, at any time, without notice. Consult the product's installation instructions for final dimensional data and other details. Applicable product warranty can be found in accompanying product literature or you may contact your account manager for further details.

Warranties: Bosch warrants that the Product is free from defects in materials and workmanship for a period of three hundred and sixty-five (365) days from the date of purchase. The foregoing timeline begins to run upon the date of purchase, and shall not be stalled, tolled, extended, or suspended, for any reason whatsoever. This Product is also warranted to be free from cosmetic defects in material and workmanship (such as scratches of stainless steel, paint/porcelain blemishes, chip, dents, or other damage to the finish of the Product, for a period of thirty (30) days from the date of purchase or closing date for new construction. This cosmetic warranty excludes slight color variations due to inherent differences in painted and porcelain parts, as well as differences caused by kitchen lighting, product location, or other similar factors. This cosmetic warranty specifically excludes any display, floor, "As Is", or "B" stock appliances.

For more information on our entire line of products, go to www.bosch-home.com/us or call 1-800-944-2904

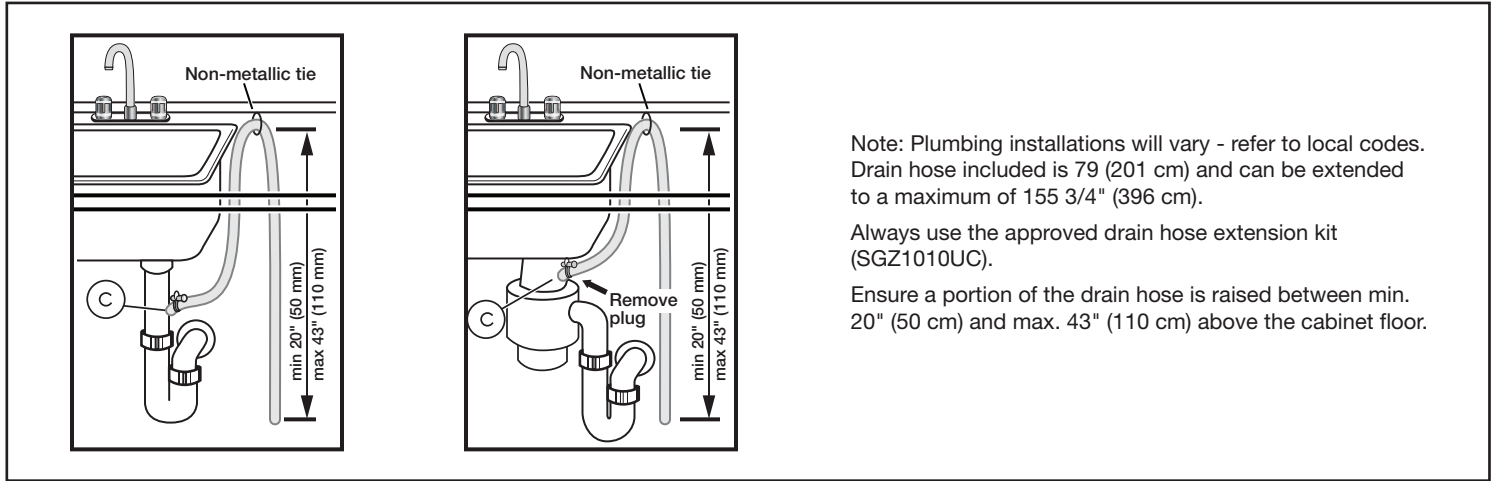
© BSH Home Appliances Corporation. All rights reserved. Bosch is a registered trademark of Robert Bosch GmbH.

24" Pocket Handle Dishwasher

300 Series DLX – Stainless Steel SHP53TL5UC



Installation Details



For help and assistance with Bosch accessories please visit: www.bosch-eshop.com/eshop/bosch/us or call 1-800-944-2904 Mon-Fri 5am to 6pm PST Sat 6am to 3pm PST

Notes: All height, width and depth dimensions are shown in inches. Please refer to installation instructions prior to making cutout. BSH reserves the absolute and unrestricted right to change product materials and specifications, at any time, without notice. Consult the product's installation instructions for final dimensional data and other details. Applicable product warranty can be found in accompanying product literature or you may contact your account manager for further details.

Warranties: Bosch warrants that the Product is free from defects in materials and workmanship for a period of three hundred and sixty-five (365) days from the date of purchase. The foregoing timeline begins to run upon the date of purchase, and shall not be stalled, tolled, extended, or suspended, for any reason whatsoever. This Product is also warranted to be free from cosmetic defects in material and workmanship (such as scratches of stainless steel, paint/porcelain blemishes, chip, dents, or other damage to the finish of the Product, for a period of thirty (30) days from the date of purchase or closing date for new construction. This cosmetic warranty excludes slight color variations due to inherent differences in painted and porcelain parts, as well as differences caused by kitchen lighting, product location, or other similar factors. This cosmetic warranty specifically excludes any display, floor, "As Is", or "B" stock appliances.

For more information on our entire line of products, go to www.bosch-home.com/us or call 1-800-944-2904

© BSH Home Appliances Corporation. All rights reserved. Bosch is a registered trademark of Robert Bosch GmbH.