


INSTALLATION AND CONNECTION

POSITIONING THE WASHING MACHINE

Read these instructions carefully and completely before you install the machine. The installation should be carried out by a qualified person who is familiar with all local codes and ordinances for electrical and plumbing connections. Cosmetic damage must be reported to your dealer within five days from the date of purchase. After unpacking the washer, thoroughly check the unit for cosmetic damage.

The washing machine can be installed as a built-in (integrated) or a freestanding unit. Place the machine on a level surface so that the power outlet on the wall is accessible.

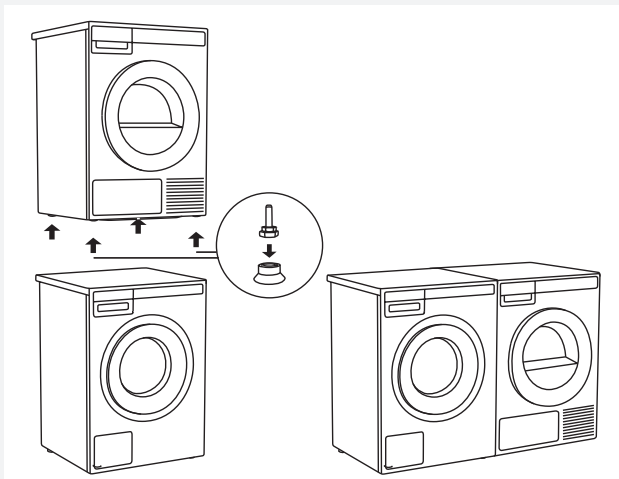
 Before connecting the washing machine to the power mains, wait for at least 2 hours until it reaches room temperature.


Grounding instructions

This appliance must be grounded. In the event of malfunction or breakdown, grounding will reduce the risk of electric shock by providing a path of least resistance for electric current. This appliance is equipped with a cord having an equipment-grounding conductor and a grounding plug. The plug must be plugged into an appropriate outlet that is properly installed and grounded in accordance with all local codes and ordinances.

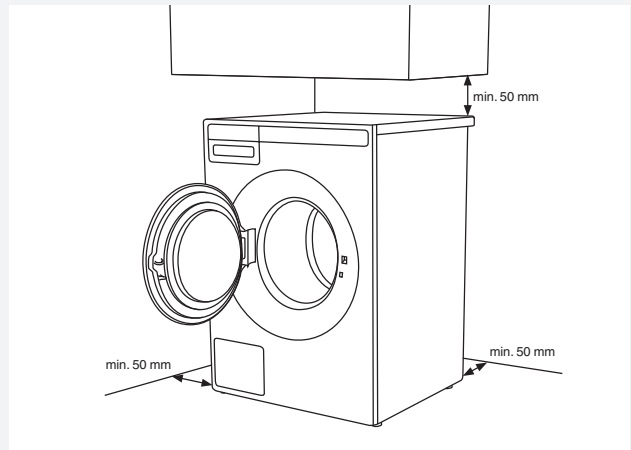
Freestanding installation

The washer can be placed next to the dryer. It is essential that the machine is leveled and the locknuts are tightened to prevent excessive vibration during spin cycles. Also be sure to leave a minimum of 1/2" of space between the washer and the dryer. The height adjustment for the washer is 35 1/2" to 37 1/2" (900 mm to 950 mm). Do not raise it higher than 34 1/2" (876 mm).

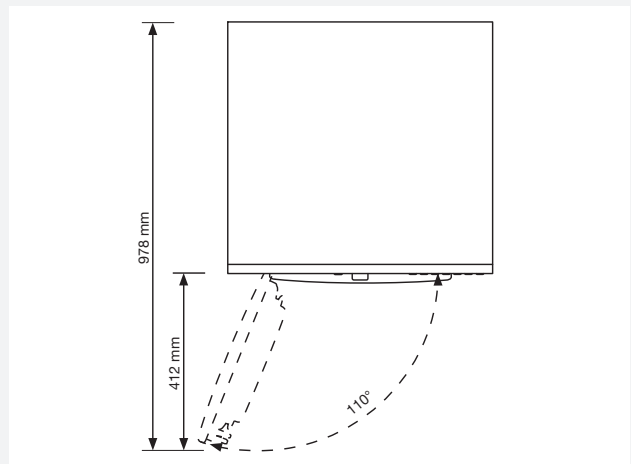


 Improper connection of the equipment-grounding conductor can result in a risk of electric shock. Check with a qualified electrician or servicer if you are in doubt as to whether the appliance is properly grounded. Do not modify the plug provided with the appliance. If it will not fit the outlet, have a proper outlet installed by a qualified electrician.

Clearances around the washing machine



Opening the washing machine door (top view)



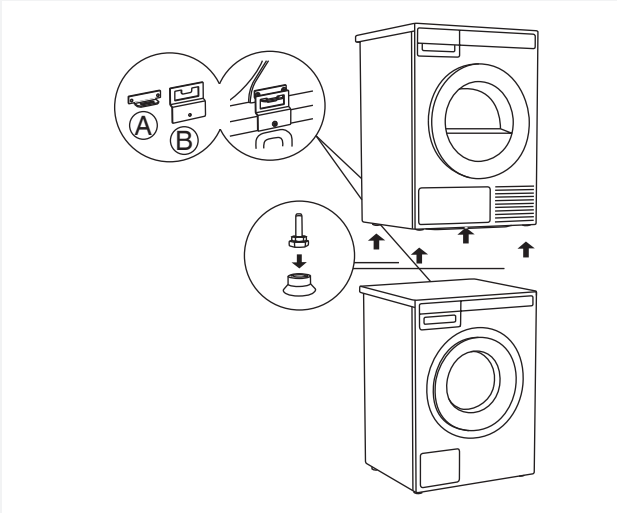
Stacked installation

ASKO washers should never be stacked on a counter or a dryer. You can, however, stack an ASKO dryer on an ASKO washer. Refer to your Dryer Use and Care Guide for instructions on how to do this.

Stacking an ASKO dryer on top of an ASKO washing machine

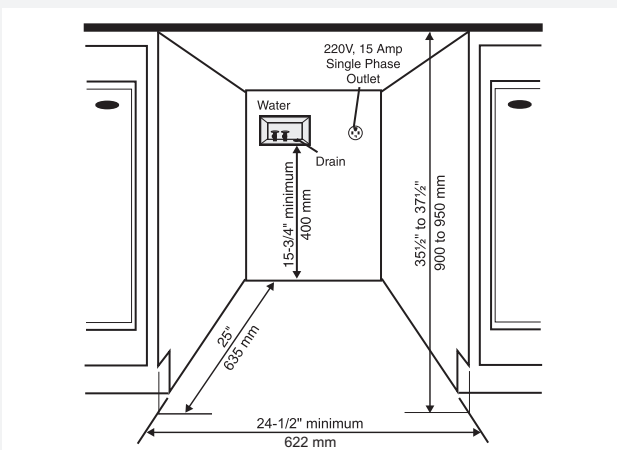
To stack an ASKO dryer on top of a washing machine, use the extra vacuum feet and the tipping guard (A+B), supplied in the cardboard box in the ASKO dryer drum. If the washing machine and dryer are not of matching dimensions or if you

have installed a hidden helper between the two appliances, then binding plates are available as optional accessories at the service unit.



Built-in installation

ASKO washers can be installed beneath a cabinet or worktop with a height of 34" to 35" (863 to 889 mm) or in a closet. There must be a gap of about 1/2" (12 mm) all around the machine, including between the rear edge of the machine's top panel and the back wall. The opening width must be at least 24 1/2" (622 mm). Space must also be available for the fill and drain hoses. See the illustration below for measurements and positions. If the washer is installed in a closet the door must be left open while the washer is running.

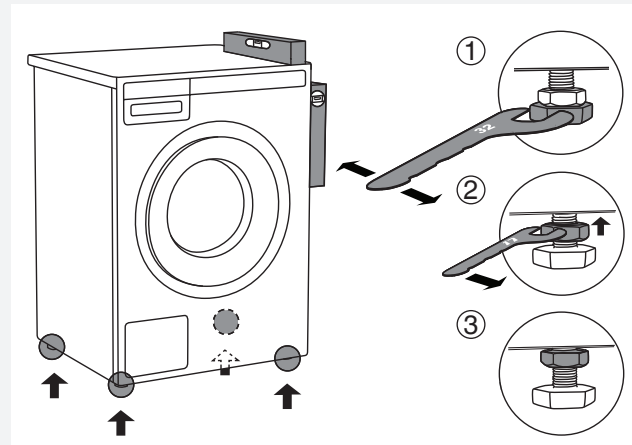


If the drain outlet is higher than 24"(610 mm), the connections will need to be recessed.

ADJUSTING THE FEET

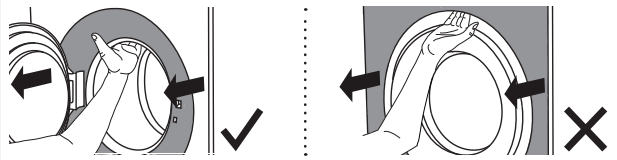
Place the washing machine so that it is stable. It is important that the machine is level to prevent excessive vibrations during spin cycles. Each foot of the washer is adjustable, so you can level the washer on any surface. Once it is level, securely tighten the lock nuts on the feet to prevent excessive vibration during spin cycles.

1. Level the washing machine horizontally and vertically by rotating the adjustable feet (using a No. 32 spanner). The feet allow levelling by +/- 1 cm.
2. When the appropriate height of feet is set, use the wrench No. 17 to firmly fasten the counter-nuts towards the bottom of the appliance ↑.
3. Tighten the jam nuts (counter nuts) to the end position. This will reduce washing machine noise, vibration, movement etc. to minimum.



MOVING THE WASHING MACHINE AND TRANSPORT AFTER INSTALLATION


If you are moving the washing machine without packaging, open the washing machine door and pull the appliance by holding the washing assembly, as indicated in the figure.



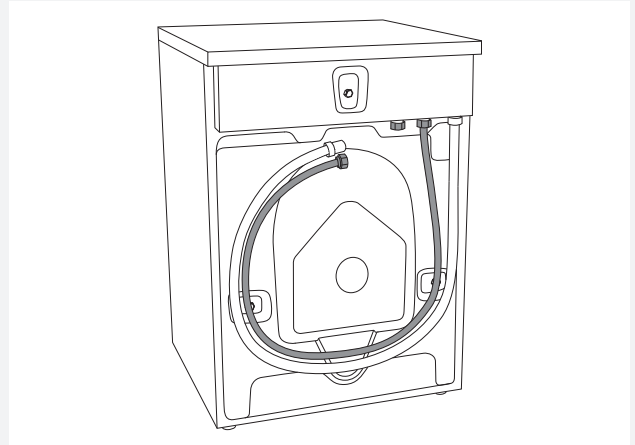
For any further moving of the appliance, use the transport rods (the washing machine drum has to be blocked).

(See chapter TRANSPORT PROTECTION.)

CONNECTING TO WATER SUPPLY


 The machine has to be connected to water supply by an adequately trained person.

Since ASKO washers have a built-in heating element, you only need a cold water inlet. The connection should be made by someone who is sufficiently skilled. Use the hose supplied with the washer. (The inlet hose is marked for correct connection.) The water pressure must be in the range 15–146 PSI. A valve should be fitted on the water supply pipe. If a new supply pipe has been installed for the washer, it should be flushed thoroughly to remove any foreign particles that might clog the filter in the fill valve.

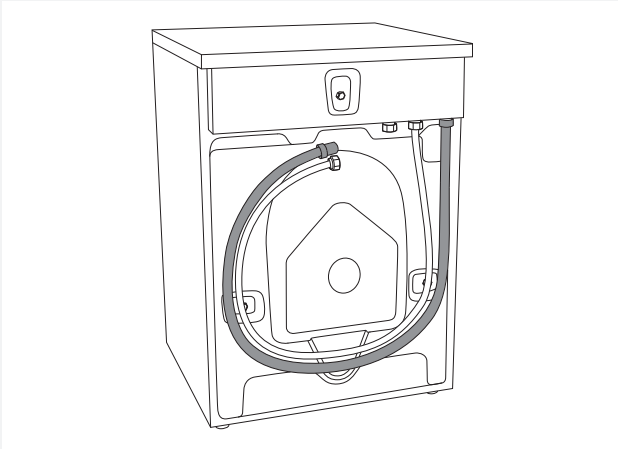


The water intake hose has to be fastened firmly enough for the hose to have a good seal. After connecting the hose, the seal must be checked for any leaks.

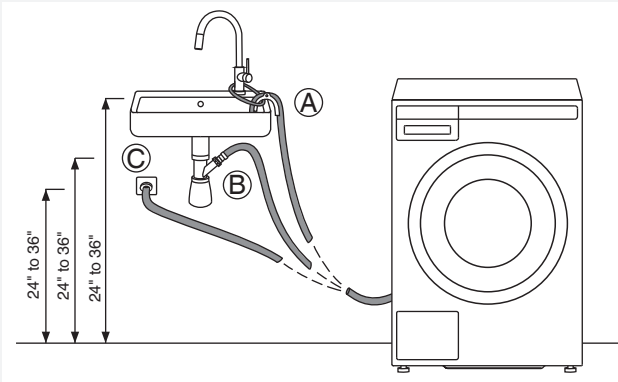
Only use the water supply hose supplied with the appliance. Do not use any used or other hoses.

 If the unit is installed on a second story, follow local building codes. We recommend installing a drip pan.

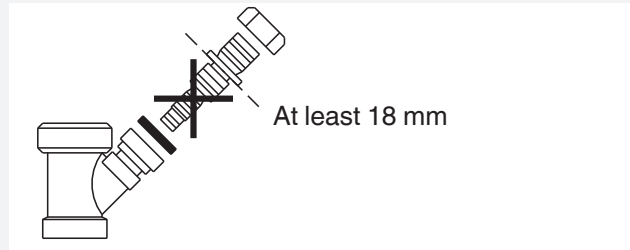
INSTALLING THE DRAIN HOSE



The machine is supplied with the outlet hose already attached. The hose should be extended over a suitable sink edge or drain pipe at a height of 24" to 36" (610 mm to 914 mm) above the bottom of the unit. (The lower height is preferable.) Make sure the hose is not kinked.




Drain hose can also be connected directly to the washbasin drain via a siphon. In this case, the hose, too, should be 24" to 36" mm above the floor. Internal hose diameter should be at least 18 mm. See figure.



💡 If the hose is extended, the internal diameter of the coupling must not be less than 1/2".

⚠ Do not extend the drain hose higher than 36" (914 mm) from the bottom of the unit.

CONNECTING TO THE POWER MAINS


 After installation, the washing machine should stand still for two hours before it is connected to the power mains.

Connect the appliance to a grounded power outlet. After installation, the wall outlet should be freely accessible. The outlet should be fitted with a grounded contact (in compliance with the relevant regulations).

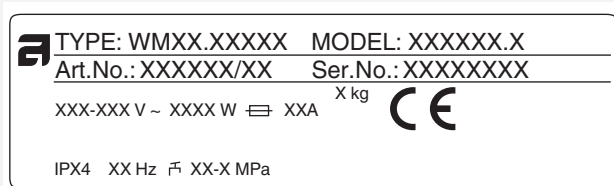
Electrical Connections

The machine is delivered ready-fitted with a plug and is intended for connection to an ASKO Dryer, which is equipped with a matching receptacle. The plug supplied with the washer can only be used with an ASKO Dryer. If the washer is used separately or with another dryer, it must be on a separate 208-240 V single-phase circuit.

If the machine is to be used in a wet area, the supply must be protected by a residual current device. As supplied: 208-240 V, 60 Hz, 2000 W heating element, 15A fuse required.


 Connection to a permanently wired supply point must be made only by a qualified electrician.


Connection upon delivery





Information about your washing machine is indicated on the rating (type) plate.



Use the type A differential current protection switch.

 We recommend using over-voltage protection to protect the appliance in case of a lightning strike.

 The washing machine may not be connected to the power mains using an extension cord.

 Do not connect the washing machine to an electrical outlet intended for an electric shaver or hair dryer.

 Any repair and maintenance pertaining to safety or performance should be done by trained experts.

  To reduce the risk of fire, electric shock, or injury to persons, read the chapter "IMPORTANT SAFETY INSTRUCTIONS" before operating this appliance.

INSTALLATION AND CONNECTION

DRYER PLACEMENT

The dryer can be either freestanding or installed on top of a washing machine.

The dryer emits heat. Therefore, do not place it in a very small room, as the drying process may be longer due to limited amount of ambient air.

💡 Do not place the dryer in a room where temperature can drop below 0 °C, as the machine may not operate correctly at such low temperatures or may freeze, which can result in damage to the machine.

For optimum dryer operation, install it in a room with adequate ventilation and a temperature between 10 °C and 25 °C.

⚠ Do not place the dryer behind lockable or sliding doors, or doors with a hinge on the opposite side of the dryer door hinge. Install the dryer in such way that the door can always be freely opened.

💡 As this is a vented dryer, it does not have a condensate tank. The handle has solely a decorative purpose and is fixed; it is not intended for opening. If excessive force is applied, the handle may break.

💡 Never block the air vents.

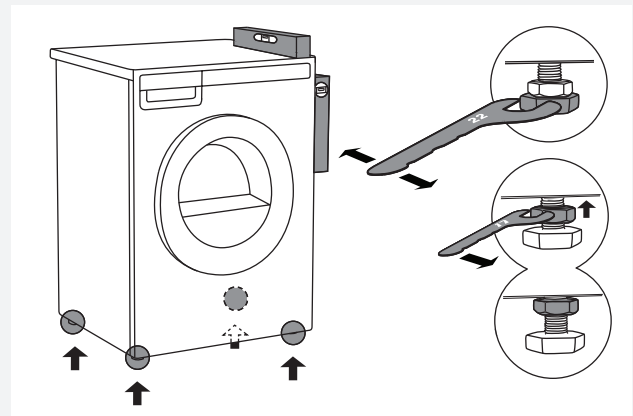
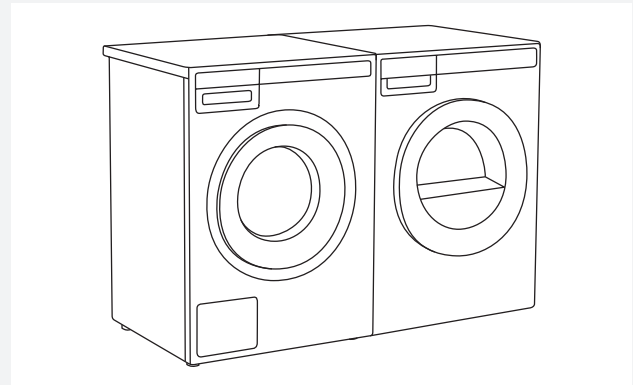
💡 At least two persons are required to install the tumble dryer on top of a washing machine.

⚠ Do not place the dryer on a carpet with long fibres as this may impede air circulation.

Freestanding appliance

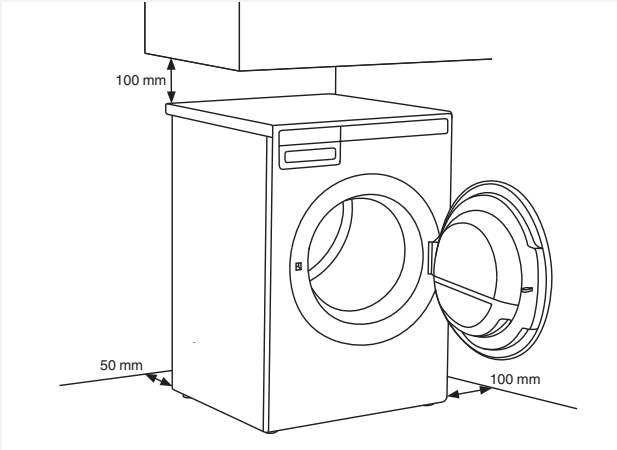
The dryer may be placed adjacent to a washing machine.

If the friction between the dryer feet and the floor is not sufficient, the dryer may move during operation. To prevent sliding, use a non-slide mat or install the supplied vacuum feet onto both front feet.



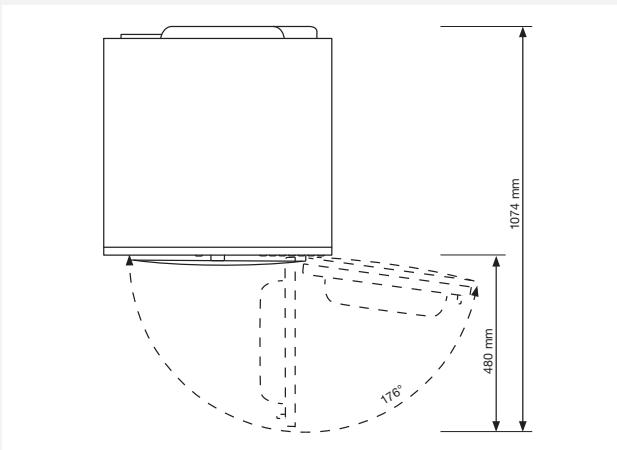
Place the dryer so that it is stable. Use a spirit level to level the dryer horizontally and vertically by rotating the adjustable feet using a No. 22 spanner (max. 15 mm). Then, firmly tighten the jam nuts (counter nuts) by rotating them towards the appliance bottom ↑.

Clearance around the dryer for optimum operation



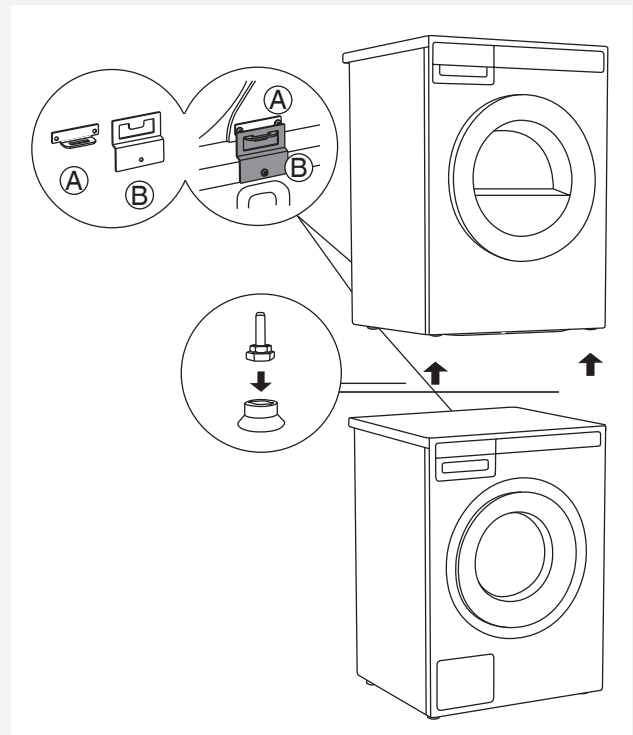
💡 The appliance may not be in contact with a wall or adjacent furniture. For optimum dryer operation, observe the clearance from the wall as shown in the figure.

Opening the dryer door (top view)



Stacking on top of a washing machine

To stack the dryer on top of a washing machine, use the extra vacuum feet and the tipping guard (A+B), supplied in the cardboard box in the dryer drum. Tipping guard part B is designed to fit on ASKO washing machines and it may be hard or impossible to mount on appliances of other brands. If the washing machine and dryer are not of matching dimensions or if you have installed a hidden helper between the two appliances, then binding plates are available as optional accessories at the service unit (available only for HH (accessory Hidden Helpers) and TD75 stacked on top of WM80 or WM85; not intended for any other combinations).

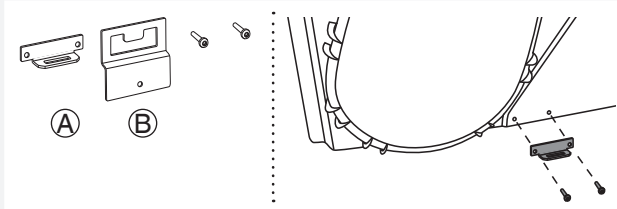


All ASKO washing machines can bear the weight of the dryer.

💡 Washing machine on which you wish to install the dryer must be able to bear the weight of the dryer (see washing machine's rating plate or technical information).

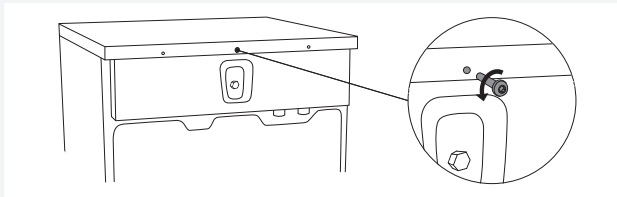
How to stack a dryer onto the washing machine (ASKO):

There is a cardboard box in the dryer drum, containing the vacuum feet and the tipping guard.

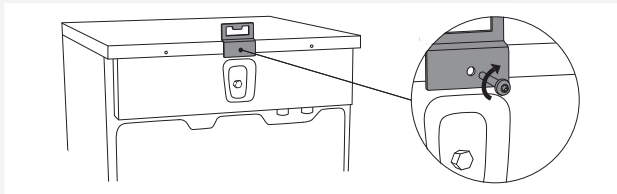


1 The tipping guard consists of two metal parts (A + B).

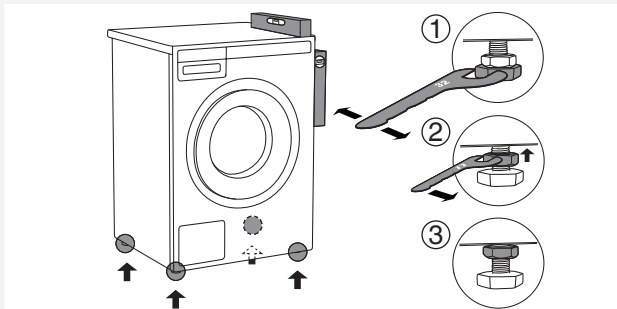
Use two screws to attach the A part to the back of the dryer.



2 Undo the screw on the back side of the washing machine.

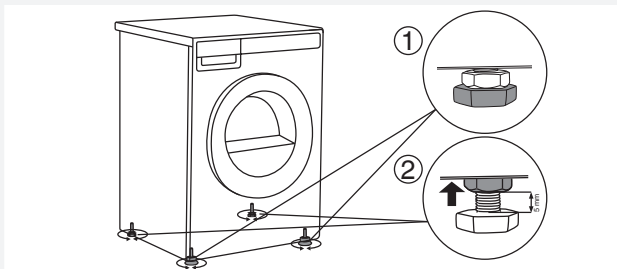


3 Use the screw to attach the tipping guard (B part) to the back of the washing machine.



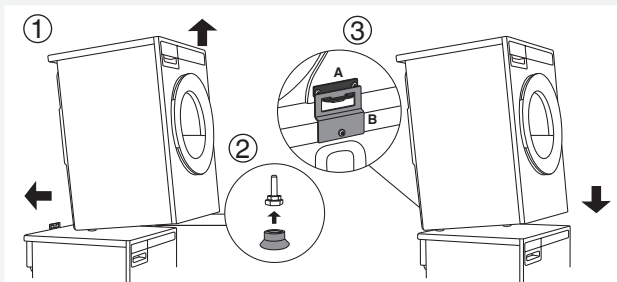
4 Level the washing machine so that it is stable.

1. Level the washing machine by rotating the adjustable feet using a No. 32 spanner. The feet allow levelling by +/- 1 cm.
2. After adjusting the height of the feet, firmly tighten the jam nuts using a spanner No 17, by turning them towards the bottom of the washing machine ↑.
3. Tighten the jam nuts.



5 Set the dryer feet:

1. Tighten the front two feet all the way in.
2. Undo the back feet by 3.5 turns or 5 mm; then, fasten the jam nuts towards the bottom of the appliance ↑.



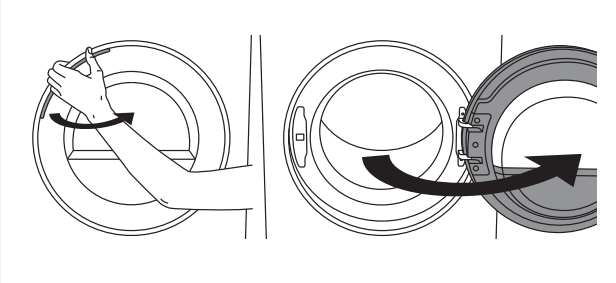
6 Place the dryer onto the washing machine:

1. Lift the front part of the dryer by 5 to 10 cm.
2. Attach the vacuum feet onto the front feet of the dryer.
3. Push the dryer into the tipping guard (so that the B part is inserted into the A part) and release it (See figure on previous page).

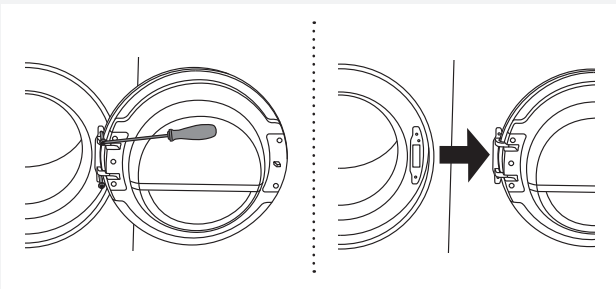
💡 Make sure the tipping guard is "locked"!

CHANGING THE DOOR OPENING DIRECTION

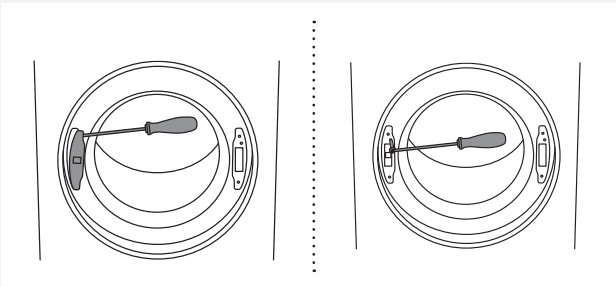
To change the direction of door opening, proceed as follows.



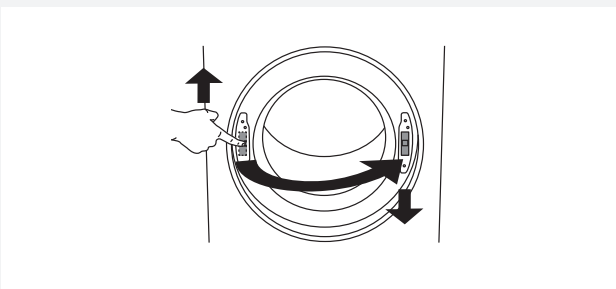
1 Open the door fully.



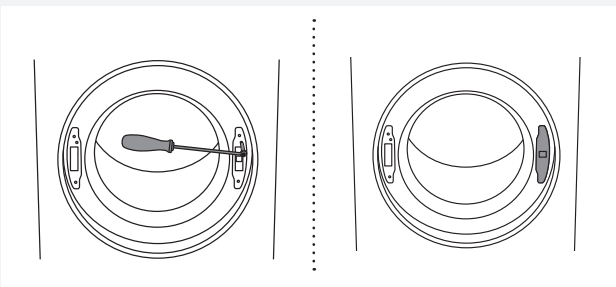
2 Undo the screws and remove the door.



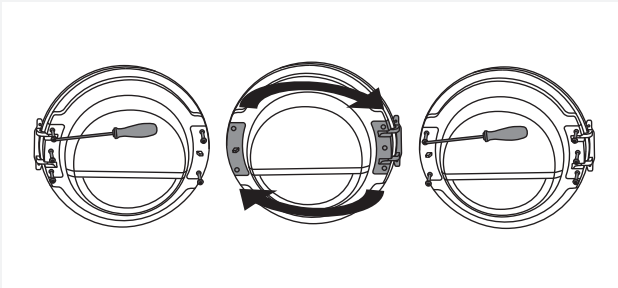
3 Use the screwdriver to remove the door lock cover and undo the screw on the door lock.




4 Push the door lock upwards and remove it. Move it to the other side and push it downwards.

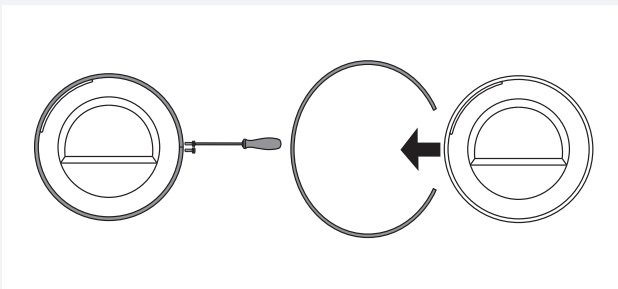


5 Fasten the screw on the door lock. Replace the door lock cover.

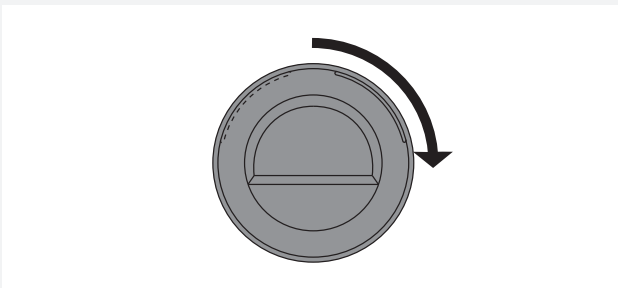


6 Undo the door hinge assembly (left) and the door latch assembly (right), switch their positions, and replace the screws (door hinge assembly to the right-hand side, door latch assembly to the left-hand side).

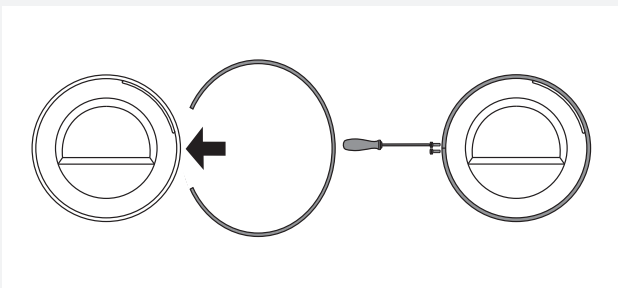
 Use the screwdriver to remove the plastic part more easily.



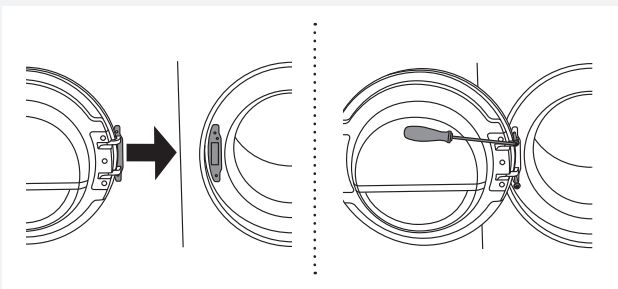
7 Undo the door ring and remove it temporarily.



8 Rotate the door glass cover by 90° so that the sign indicating the opening of the door is on the other side.



9 Rotate the door ring by 180°, install it onto the door, and fasten it with screws.



10 Replace the door on the door hinge and fasten the screws.

AIR EXHAUST

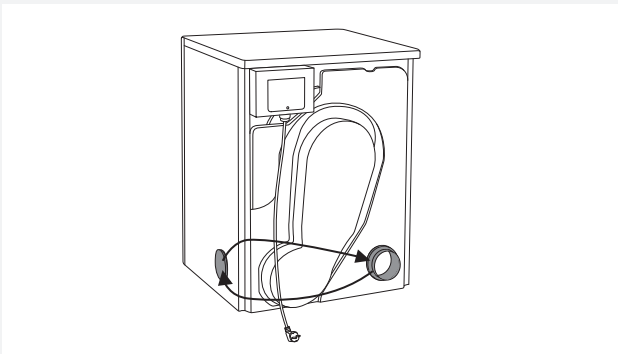
💡 The tumble dryer must only be operated when it is correctly fitted with exhaust duct.

Connecting the exhaust duct to the dryer

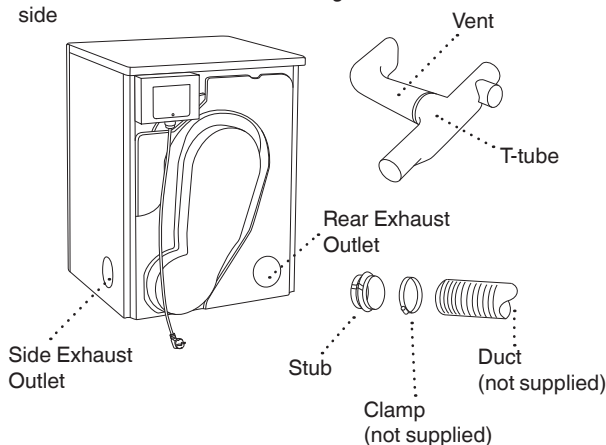
💡 You will need to purchase a UL-CSA-approved 4" ridged metal exhaust duct. The dryer is delivered with the stub pipe attached to the rear exhaust outlet, though the exhaust duct can be attached to either the left or the right exhaust outlet.

To connect the exhaust duct to the left or right side outlet, follow the steps below:

1. Using a flat-head screwdriver, turn the exhaust outlet cover you plan to use to the right or left to align the tabs holding the cover in place.
2. Remove the exhaust outlet cover.
3. Remove the stub pipe from the rear exhaust outlet and place it in the outlet you plan to use.
4. Use the exhaust outlet cover you removed from the rear to cover the rear exhaust outlet.



Asko dryers have a "T-style" exhaust vent that allows you to connect the duct on the rear, on the left, or on the right side



The duct must not be assembled with screws or

other fasteners that extend into the duct and catch lint.

To connect the exhaust duct to the outlet, follow the steps below:

- Push the duct onto the stub pipe and secure it with a clamp.
- After you push the dryer into place, check for kinks in the duct.

💡 Excessive duct length and too many bends can impede drying performance. We recommend that you cut off any excess exhaust duct and run the duct with as few bends as possible. Make any necessary bends as gentle as possible.

💡 Maximum duct length of 60 feet. A maximum of 4 elbows may be used, but 4 feet of duct must be subtracted from the total vent length for every 90° elbow used.

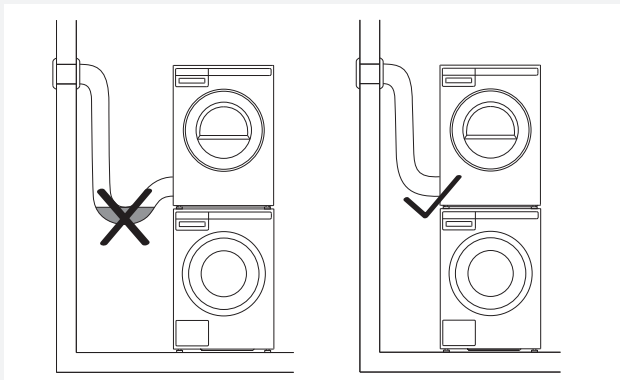
⚠ To reduce the risk of fire, this appliance must be exhausted OUTDOORS or the equivalent. Never cover the end of the dryer stub or exhaust duct with anything to catch lint, except for UL approved vent basket.

Connecting to a ventilation duct

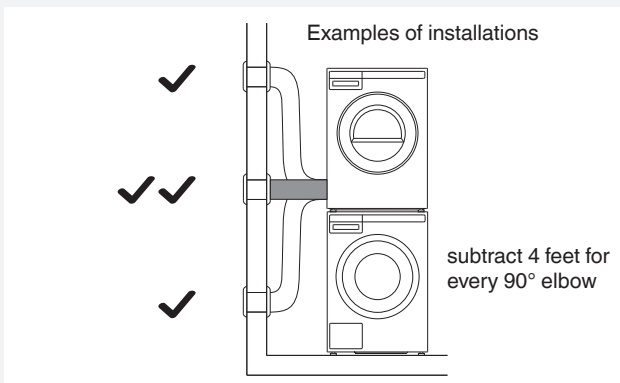
You will need a UL-CSA-approved, 4-inch ridged metal exhaust duct. If a flexible duct is used, it must comply with the Outline for Clothes Dryer Transition Duct, Subject 2158A and maximum length of 2.4 m (8 feet).

💡 The more bends and the longer the duct, the less air will circulate through the machine, which will impede drying performance. We recommend that you cut off any excess exhaust duct and run the duct with as few bends as possible. And make any necessary bends as gentle as possible.

💡 Maximum duct length of 60 feet. A maximum of 4 elbows may be used, but 4 feet of duct must be subtracted from the total vent length for every 90° elbow used.

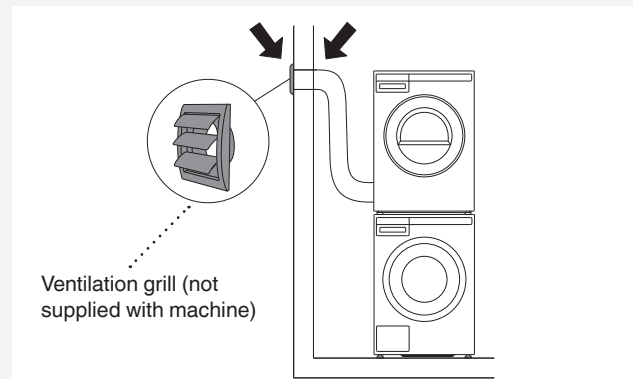


💡 When installing in warm climates (77° F and above) with high humidity levels, do not route the air exhaust duct upwards.



To connect the exhaust duct to a ventilation outlet, follow the steps below:

1. Connect the exhaust duct to a ventilation exhaust fitting or to a discharge through the wall.
2. Secure the duct joint to the outlet stub on the machine.
3. Run the duct with as few bends as possible to the point of discharge.



⚠️ This appliance shall not be exhausted into a chimney, a wall, a ceiling, an attic, a crawl space or a concealed space of a building. Only a rigid or flexible metal duct shall be used for exhausting. Only a metal ventilation grill shall be used. If the duct is taken to a wall outlet, a ventilation grill shall be fitted to prevent reverse flow of cold air. Fit the ventilation grill to the outside of the wall.


💡 Avoid:

- very long exhausting systems
- too many corners
- tight corners


These reduce efficiency and increase time and energy consumption.

⚠️ Risk of Fire.


A clothes dryer produces combustible lint. The dryer must be connected to an exhaust to the outdoors. Regularly inspect the outdoor exhaust opening and remove any accumulation of lint around the outdoor exhaust opening and in the surrounding area.


 See the separate installation instructions included in the set of documents.

CONNECTING TO THE POWER MAINS



 After installation, the dryer should stand still for two hours before it is connected to the power mains.

Connect the appliance to a grounded power outlet. After installation, the wall outlet should be freely accessible. The outlet should be fitted with a ground contact (in compliance with the relevant regulations).

 The receptacle on the rear of the machine is designed to accommodate ASKO washers ONLY (rated 208–240 V.) To use this receptacle, you must use the ready-fitted plug supplied with the washing machine or an equivalent. ASKO washers rated 208–240 V have two internal fuses of 15 A each. The machine should only be connected to a grounded wall socket.


 This appliance must be properly grounded. Refer to the “Important Safety Instructions” for grounding instructions. The power supply cord must be grounded. If the machine is to be used in a wet area, the supply must be protected by a residual current device. Connection to a permanently wired supply point must be made only by a qualified electrician.


Connection upon delivery


	TYPE: TDXX.XXXXX	MODEL: XXXXXX.X
	Art.No.: XXXXXX/XX	Ser.No.: XXXXXXXX
XXX V ~ XXXX W \Rightarrow XXA ^{X kg}		
IPX4 XX Hz		

Information about your dryer is indicated on the rating (type) plate.

Use the type A differential current protection switch.

 The dryer shall not be connected to the power mains using an extension cord.

 Do not connect the tumble dryer to an electrical outlet intended for an electric shaver or hair dryer.

 Any repair and maintenance pertaining to safety or performance should be done by trained experts.