

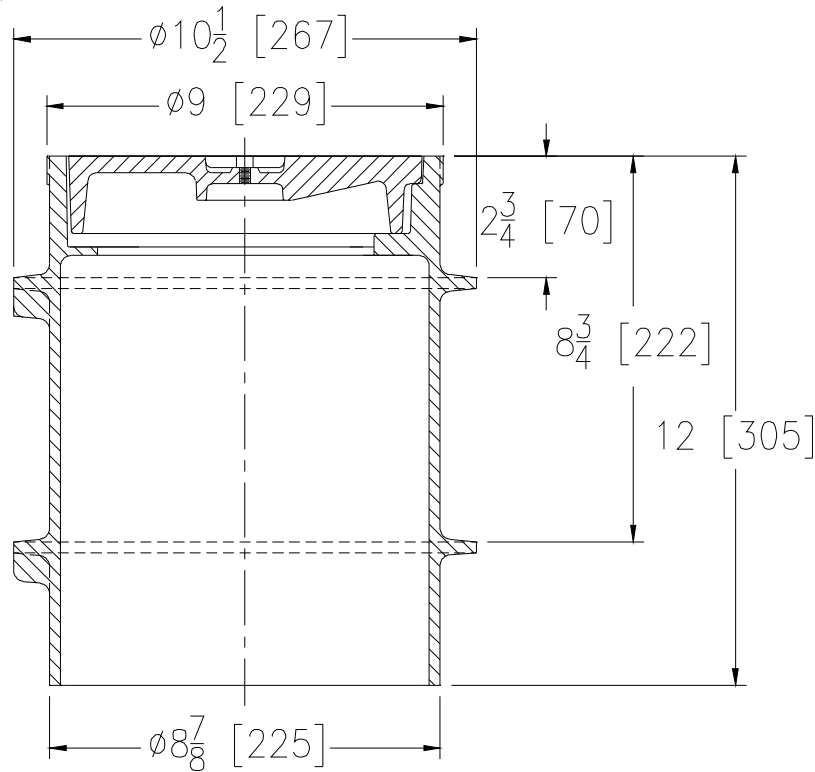


# Z1474 HEAVY DUTY CLEANOUT HOUSING

SPECIFICATION SHEET

TAG \_\_\_\_\_

Dimensional Data (inches and [ mm ]) are Subject to Manufacturing Tolerances and Change Without Notice



A Pipe Size Inches	Approx. Wt. Lbs [kg]
8-3/8 [213]	40 [18]

**ENGINEERING SPECIFICATION: ZURN Z1474**

Heavy Duty Cleanout Housing. Dura-Coated cast iron body with integral anchor flange, secured scoriated cover with lifting device.

**OPTIONS** (Check/specify appropriate options)

**PREFIXES**

- \_\_\_ Z Dura-Coated Cast Iron\*
- \_\_\_ ZB D.C.C.I. with Polished Bronze Top (Add 3/16 [5] to 12 [305] Dim. & 3/4 [19] to 9 [229] Dim.)
- \_\_\_ ZN D.C.C.I. with Polished Nickel Bronze Top (Add 3/16 [5] to 12 [305] Dim. & 3/4 [19] to 9 [229] Dim.)

**SUFFIXES**

- \_\_\_ -DC Duresist Cover
- \_\_\_ -G Galvanized Cast Iron
- \_\_\_ -N With Internal Cleanout (See Z1440) (Specify Outlet Size 2 thru 4, 6 [51 thru 102, 152])
- \_\_\_ -SG Solid Gasketed Cover
- \_\_\_ -VP Vandal-Proof Screw

REV. E	DATE: 11/8/10	C.N. NO. 120272
DWG. NO. 58787		PRODUCT NO. Z1474

\*REGULARLY FURNISHED UNLESS OTHERWISE SPECIFIED