



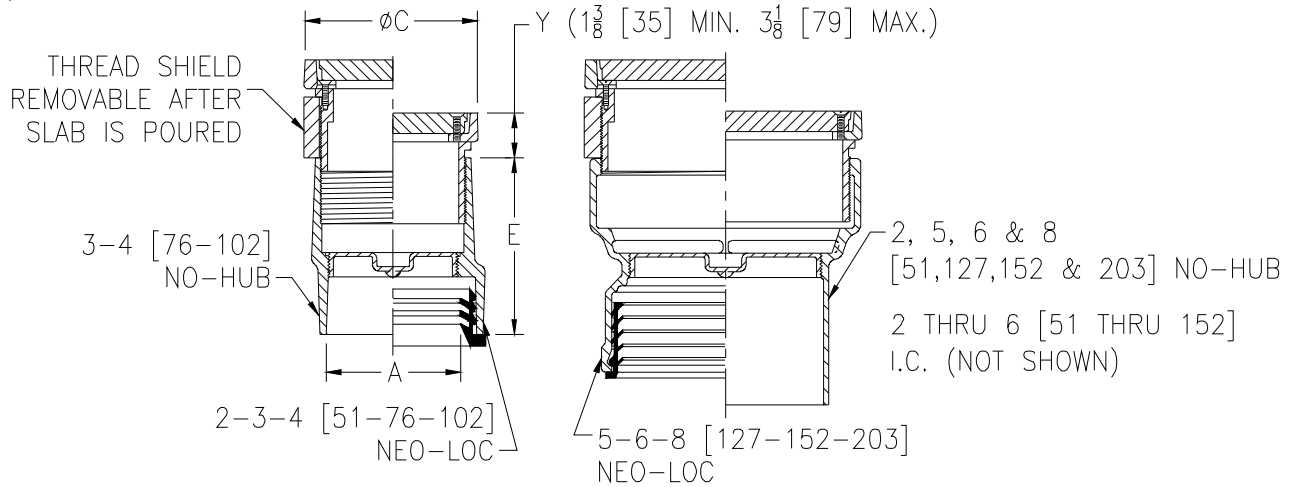
# Z1400

## HEAVY-DUTY "LEVEL-TROL" ADJUSTABLE FLOOR CLEANOUT

SPECIFICATION SHEET

TAG \_\_\_\_\_

Dimensional Data (inches and [ mm ]) are Subject to Manufacturing Tolerances and Change Without Notice



**ENGINEERING SPECIFICATION: ZURN Z1400**

"Level-Trol" Adjustable floor cleanout, Dura-Coated cast iron body with gas and watertight ABS tapered thread plug and round scoriated cast iron heavy-duty secured top (Specify finish Z, ZB, ZN, ZS) adjustable to finished floor.

Dimension In Inches			Approx. Wt. Lbs. [kg.]
A-Pipe Size	C	E	
Inside Caulk			
2 [51]	6-1/8 [156]	6-7/8 [175]	13.8 [6.3]
3 [76]	6-1/8 [156]	6-7/8 [175]	14 [6.4]
4 [102]	7-1/4 [184]	6-7/8 [175]	18.3 [8.3]
5 [127]	8-1/4 [210]	6-7/8 [175]	22.6 [10.3]
6 [152]	9-1/4 [235]	6-7/8 [175]	32.2 [14.6]
No-Hub			
2 [51]	4-1/8 [105]	4-5/8 [117]	7 [3]
3 [76]	4-1/8 [105]	4-3/4 [121]	7.7 [3.5]
4 [102]	5-1/8 [130]	4-3/4 [121]	10.3 [4.7]
5 [127]	7-1/4 [184]	7-1/2 [191]	17.6 [8]
6 [152]	8-1/4 [210]	4-3/4 [121]	22.2 [10.1]
8 [203]	9-1/4 [235]	7-1/2 [191]	29.9 [13.6]
Neo-Loc			
2 [51]	4-1/8 [105]	4-3/4 [121]	7.9 [3.6]
3 [76]	5-1/8 [130]	4-3/4 [121]	10.6 [4.8]
4 [102]	5-1/8 [130]	4-3/4 [121]	11.9 [5.4]
5 [127]	7-1/4 [184]	6-1/2 [165]	18.7 [8.5]
6 [152]	8-1/4 [210]	5-7/8 [149]	21.9 [9.9]
8 [203]	9-1/4 [235]	6-1/2 [165]	23.5 [10.7]

**OPTIONS** (Check/specify appropriate options)

**PREFIXES**

- \_\_\_ Z Dura Coated Cast Iron\*
- \_\_\_ ZB D.C.C.I. w/ Polished Bronze Light-Duty Top (Deduct 1/2 [13] from 'Y' Dim.)
- \_\_\_ ZN D.C.C.I. w/ Polished Nickel Bronze Light-Duty Top (Deduct 1/2 [13] from 'Y' Dim.)
- \_\_\_ ZS D.C.C.I. w/ Polished Stainless Steel Heavy-Duty Top (Add 3/16 [5] to 'Y' Dim.)

**SUFFIXES**

- \_\_\_ -AR Acid Resisting Epoxy Coated Finish
- \_\_\_ -BP Bronze Plug
- \_\_\_ -CF Carpet Flange Cover (ZB and ZN only)
- \_\_\_ -CM Carpet Marker
- \_\_\_ -DC Duresist Cover
- \_\_\_ -DX Round ZB or ZN Top with Dex-o-tex Flange (2 thru 4 [51 thru 102] Sizes only)
- \_\_\_ -G Galvanized Cast Iron
- \_\_\_ -HD Heavy-Duty Veneer Top (Add 1/8 [3] to 'Y' Dim.) (ZB and ZN only)
- \_\_\_ -K Anchor Flange
- \_\_\_ -KC Anchor Flange w/ Clamping Collar
- \_\_\_ -SG Solid Gasketed Cover
- \_\_\_ -SM Special Marking Stamped on Top
- \_\_\_ -T Square Top
- \_\_\_ -TC Neo-Loc Test Cap Gasket (2-4 [51-102] NL Bottom Outlet Only)
- \_\_\_ -TX Square Top Recessed for 1/8 [3] Tile (ZB and ZN only)
- \_\_\_ -VP Vandal-Proof Screws
- \_\_\_ -X Round Top Recessed for 1/8 [3] Tile (ZB or ZN only)
- \_\_\_ -Z Round Top Recessed for 1-1/4 [32] Terrazzo (ZB or ZN only)

**PIPE SIZE**

- 2 thru 6 [51 thru 152]
- 2 thru 6-8 [51 thru 152-203]
- 2 thru 6-8 [51 thru 152-203]

(Specify size/type) **OUTLET**

- \_\_\_ IC Inside Caulk
- \_\_\_ NH No-Hub
- \_\_\_ NL Neo-Loc

**'E' BODY HT. DIM.**

- See Chart
- See Chart
- See Chart

<b>REV. O</b>	<b>DATE: 11/03/10</b>	<b>C.N. NO. 120210</b>
<b>DWG. NO. 58757</b>	<b>PRODUCT NO. Z1400</b>	

\*REGULARLY FURNISHED UNLESS OTHERWISE SPECIFIED