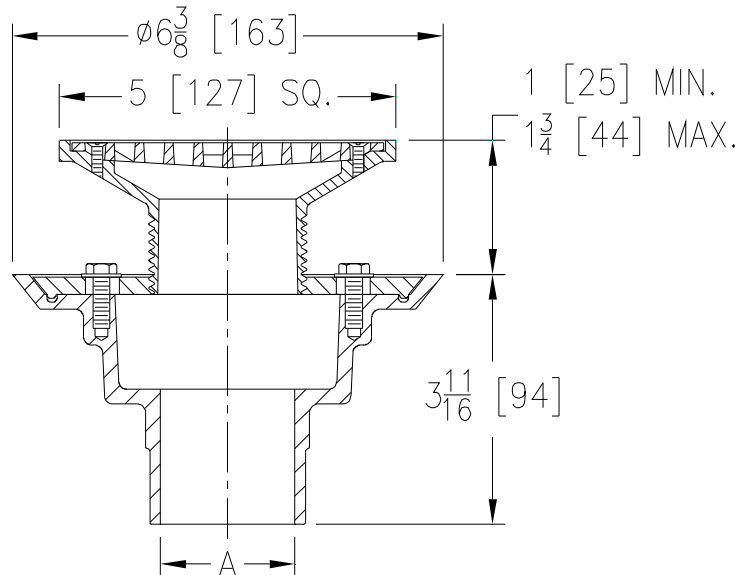


Dimensional Data (inches and [ mm ]) are Subject to Manufacturing Tolerances and Change Without Notice



Product	'A' Connections	Grate Open Area Sq. In [cm <sup>2</sup> ]
___ FD2254-PV2-S5	2 x 3 [51 x 76] Solvent Weld	9 [58]
___ FD2254-AB2-S5	2 x 3 [51 x 76] Solvent Weld	

**FD2254-S5**  
**2 x 3 [51 x 76] PVC or ABS Shower Drain**  
Recommended in showers where a membrane is generally used. The unit has an adjustable head and nickel strainer to meet finished floor elevations. The drain is furnished with a PVC or ABS body and clamping collar. Beveled clamping provides easier sub-floor installation. Fits over 2 [51] and inside 3 [76] schedule 40 DWV pipes.

**Options:**

- \_\_\_ **-CP** Chrome Plated Strainer Assembly
- \_\_\_ **-PB** Polished Brass Strainer Assembly
- \_\_\_ **-VP** Vandal-Proof

**Typical installation**

