

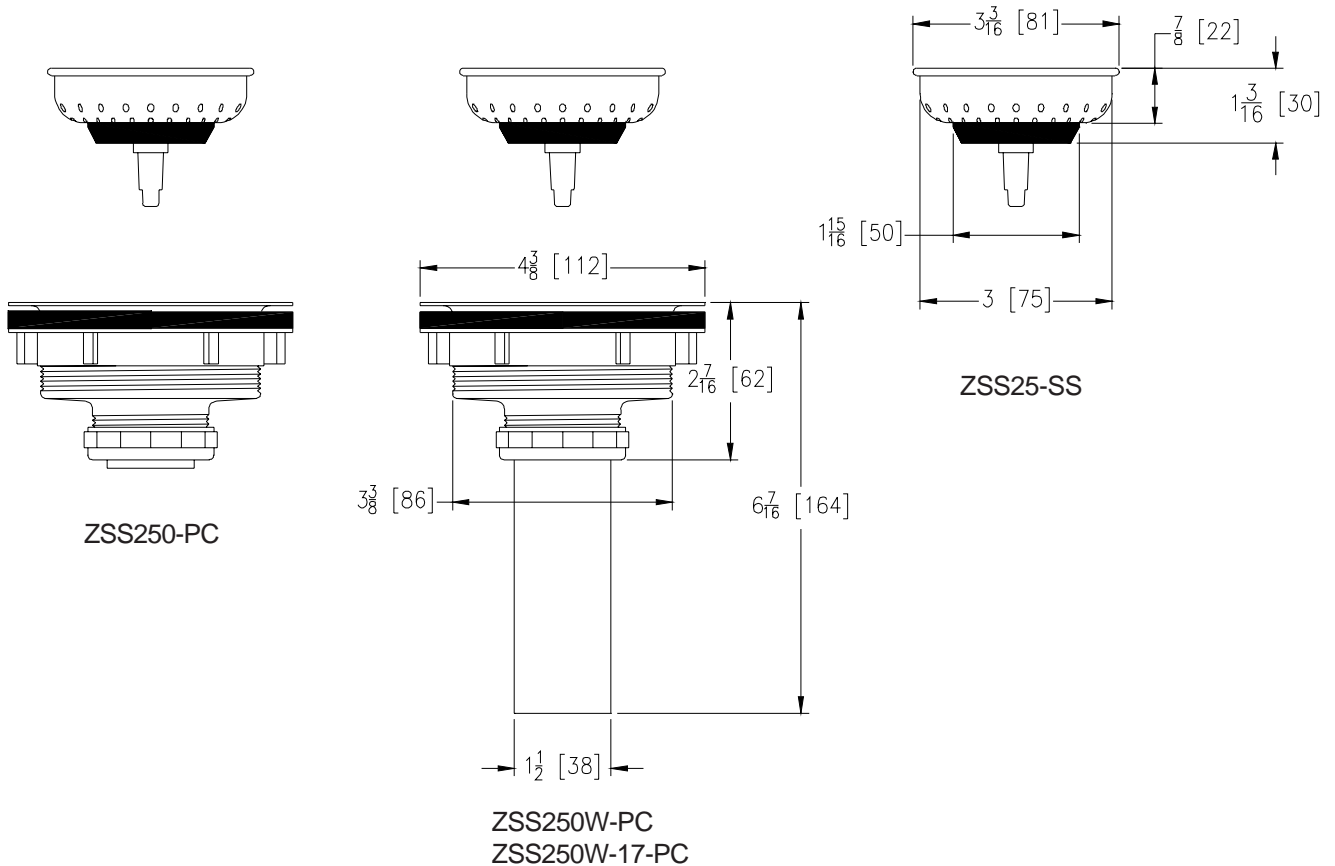


BASKET STRAINER

ZSS250-PC, ZSS250W-PC, ZSS250W-17-PC, ZSS25-SS

TAG _____

Engineering Specification: Zurn ZSS250-PC, ZSS250W-PC, ZSS250W-17-PC, ZSS25-SS – Chrome plated brass basket strainer with stainless steel stick type basket, neoprene stopper and "It Can't Skip" locknut.



PRODUCT NUMBER	DESCRIPTION	CARTON QTY
ZSS250-PC	Less TP	40
ZSS250W-PC	With 4"[102mm] 22 Guage Chrome TP	40
ZSS250W-17-PC	With 4"[102mm] 17 Guage Chrome TP	40
ZSS25-SS	Basket Assembly Only	48

SUFFIXES

- ____ -B With Brass Slip Nut
- ____ -BB With Brass Locknut and Split Nut

ZURN INDUSTRIES, INC. ♦ COMMERCIAL BRASS OPERATION ♦ 2640 SOUTH WORK STREET ♦ FALCONER NY 14733

Phone: 1-716-665-1132 ♦ Fax: 1-716-665-1135 ♦ World Wide Web: www.zurn.com

In Canada: ZURN INDUSTRIES LIMITED ♦ 3544 Nashua Drive ♦ Mississauga, Ontario L4V1L2 ♦ Phone: 905/405-8272 Fax: 905/405-1292