



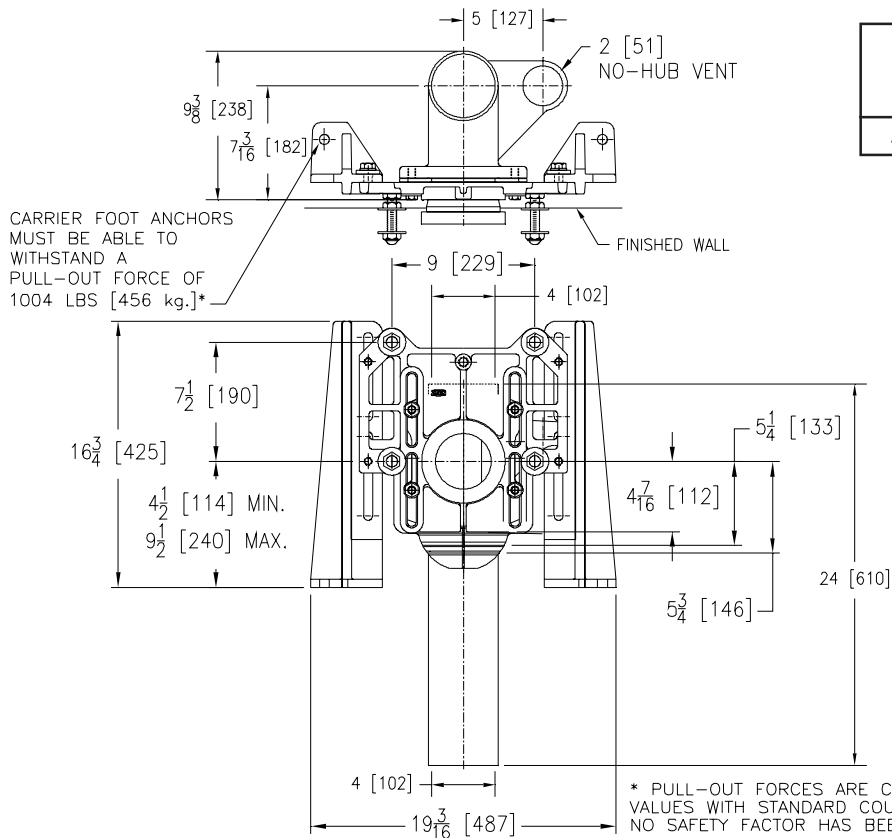
# ZN1204-N4

## ADJUSTABLE VERTICAL SIPHON JET NO-HUB NARROW WALL SYSTEM, (9 3/8 [238] DEPTH FRONT TO BACK)

SPECIFICATION SHEET

TAG \_\_\_\_\_

Dimensional Data (inches and [ mm ]) are Subject to Manufacturing Tolerances and Change Without Notice



Product Number	Approx. Wt. Lbs. [kg]
ZN1204-N4	96 [43]

**PATENT  
PENDING**

CARRIER FOOT ANCHORS MUST BE ABLE TO WITHSTAND A PULL-OUT FORCE OF 1004 LBS [456 kg.]\*

\* PULL-OUT FORCES ARE CALCULATED VALUES WITH STANDARD COUPLING ASSEMBLY. NO SAFETY FACTOR HAS BEEN APPLIED.

**ENGINEERING SPECIFICATION: ZURN ZN1204-N4**

Narrow Wall Adjustable, vertical siphon jet water closet "Rigid System" with 4 [102] No-Hub connections and ( ) side inlets. Dura-Coated cast iron main fitting, with 2 [51] vent, adjustable gasketed chase saver faceplate, floor mounted foot supports, corrosion resistant adjustable ABS coupling with integral test cap, fixture bolts, trim, stud protectors, and bonded "Neo-Seal" gasket. Carrier complies with all applicable requirements of ASME A112.6.1M up to a 300-Lb. [136-kg.] load.

**PRODUCT/DEFINITION**

\_\_\_\_\_ ZN1204-N4 No-Hub Stack, Single Inlet, 2 [51] Right Hand Vent

**PREFIXES**

- \_\_\_\_\_ Z D.C.C.I. System with Zurn "ZZ" Adjustable Coupling\*
- \_\_\_\_\_ ZQ D.C.C.I. System with N.P.T. Faceplate, Non-Adjustable Coupling

**SUFFIXES**

- \_\_\_\_\_ -B Blowout Type Fixture Support
- \_\_\_\_\_ -G Galvanized Cast Iron
- \_\_\_\_\_ -JJ Two 2 [51] Auxiliary Inlets
- \_\_\_\_\_ -JL 2 [51] Left Hand Auxiliary Inlet
- \_\_\_\_\_ -JR 2 [51] Right Hand Auxiliary Inlet
- \_\_\_\_\_ -T Threaded Connection
- \_\_\_\_\_ -VL Left Hand Vent Connection
- \_\_\_\_\_ -VP Vandal-Proof Trim
- \_\_\_\_\_ -50 Flush Valve Supply Support for Water Closets
- \_\_\_\_\_ -61 "ZZ" Coupling Wrench

Note:

1. Feet bolted to floor using anchors capable of achieving the specified pull-out force.
2. 2 [51] No-Hub vent connection regularly furnished on right hand side. Left hand available when specified (Suffix- VL)
3. Auxiliary inlet available right (-JR) or left (-JL) or both sides (-JJ) when specified.

<b>REV. C</b>	<b>DATE: 02/01/07</b>	<b>C.N. NO. 96141</b>
<b>DWG. NO. 67365</b>		<b>PRODUCT NO. ZN1204-N4</b>

\*REGULARLY FURNISHED UNLESS OTHERWISE SPECIFIED

ZURN INDUSTRIES, INC. ♦ SPECIFICATION DRAINAGE OPERATION ♦ 1801 Pittsburgh Ave. ♦ Erie, PA 16514

Phone: 814455-0921 ♦ Fax: 814454-7929 ♦ World Wide Web: [www.zurn.com](http://www.zurn.com)

In Canada: ZURN INDUSTRIES LIMITED ♦ 3544 Nashua Drive ♦ Mississauga, Ontario L4V1L2 ♦ Phone: 905405-8272 Fax: 905405-1292