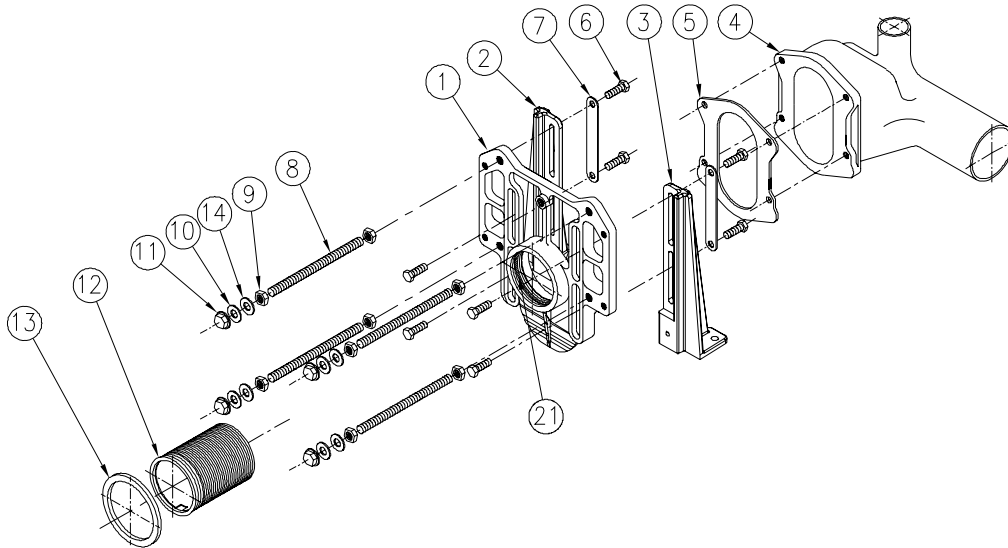




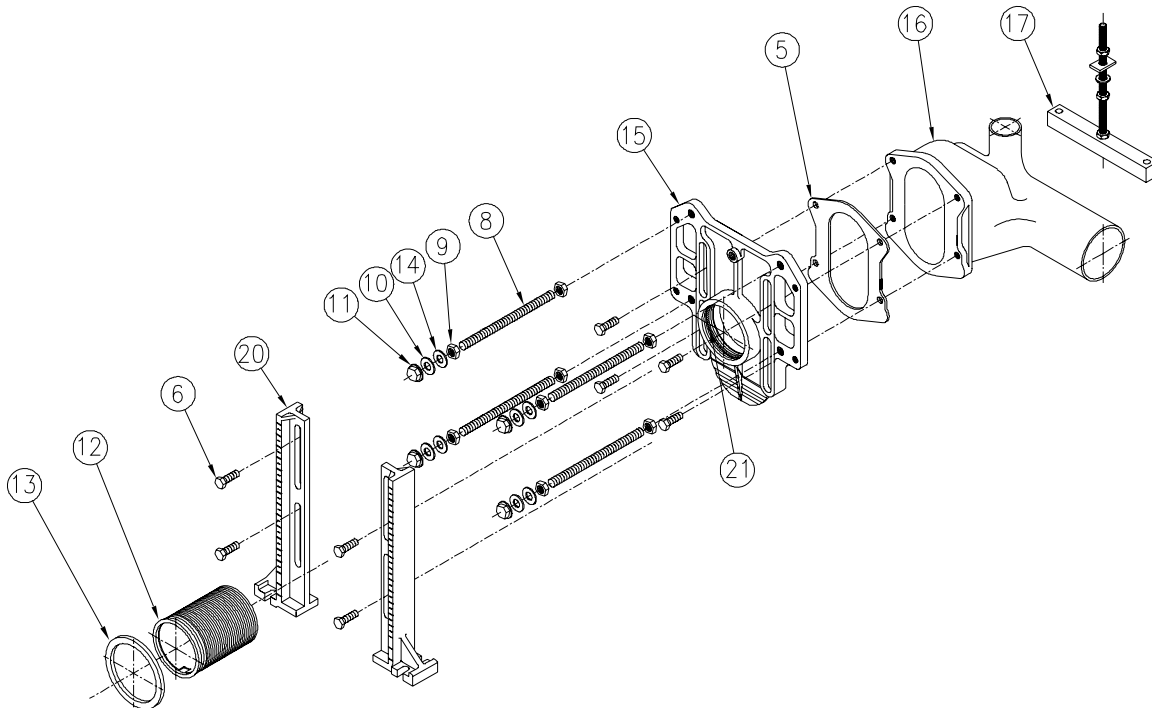
# INSTALLATION INSTRUCTIONS

## ZN1203, Z1203-X, Z1203-XH, Z1203-XB WATER CLOSET SYSTEMS

Dimensional Data (inches and [ mm ]) are Subject to Manufacturing Tolerances and Change Without Notice



### ZN1203-N NARROW-WALL WATER CLOSET SYSTEM



### Z1203-N-X HEAVY DUTY 500LB. CARRIER SYSTEM

Form # C32

Date: 04/16/10

C.N. No. 111018

Rev. B

Page 1 of 5

ZURN INDUSTRIES, INC. ♦ SPECIFICATION DRAINAGE OPERATION ♦ 1801 Pittsburgh Ave. ♦ Erie, PA 16514

Phone: 814/455-0921 ♦ Fax: 814/454-7929 ♦ World Wide Web: [www.zurn.com](http://www.zurn.com)

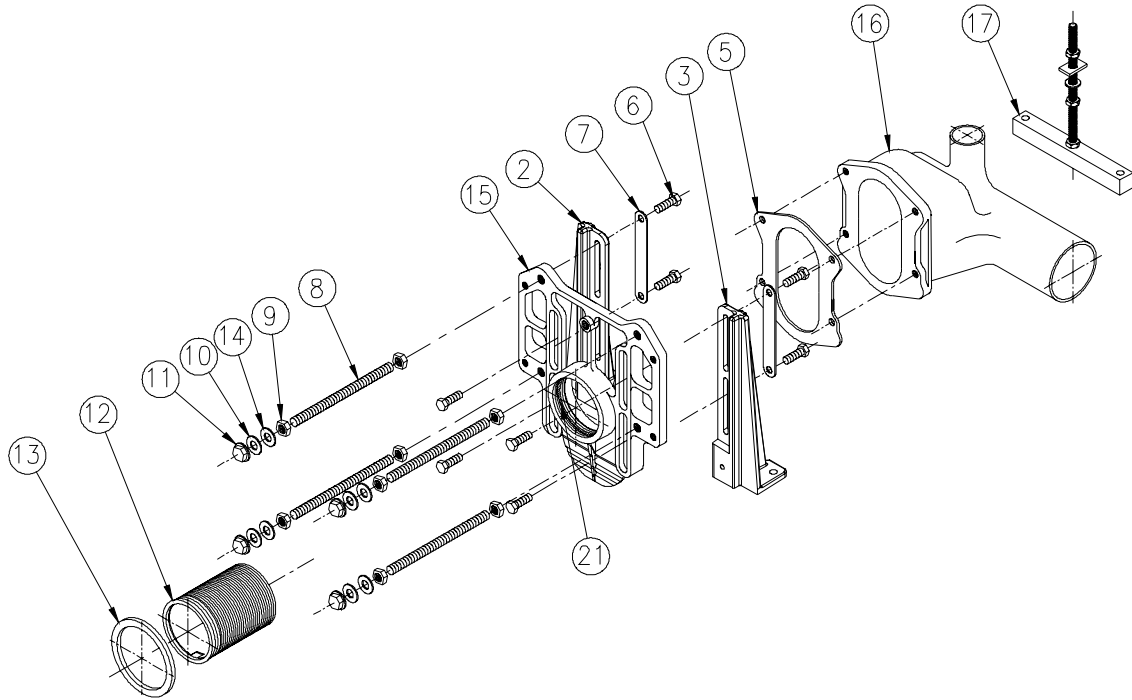
In Canada: ZURN INDUSTRIES LIMITED ♦ 3544 Nashua Drive ♦ Mississauga, Ontario L4V1L2 ♦ Phone: 905/405-8272 Fax: 905/405-1292



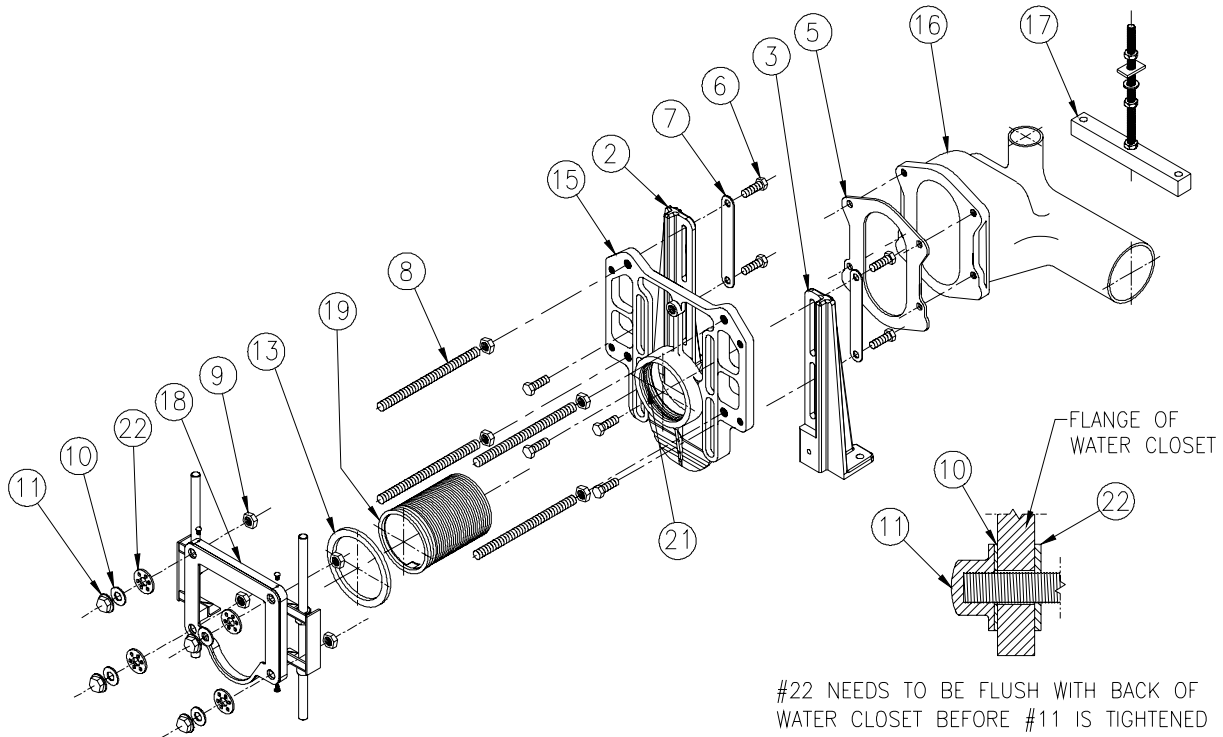
# INSTALLATION INSTRUCTIONS

## ZN1203, Z1203-X, Z1203-XH, Z1203-XB WATER CLOSET SYSTEMS

Dimensional Data (inches and [ mm ]) are Subject to Manufacturing Tolerances and Change Without Notice



### Z1203-N-XH EXTRA HEAVY-DUTY 750 LB. CARRIER SYSTEM



#22 NEEDS TO BE FLUSH WITH BACK OF  
WATER CLOSET BEFORE #11 IS TIGHTENED

### Z1203-N-XB 1000LB. BARIATRIC CARRIER SYSTEM

Form # C32

Date: 04/16/10

C.N. No. 111018

Rev. B

Page 2 of 5

ZURN INDUSTRIES, INC. ♦ SPECIFICATION DRAINAGE OPERATION ♦ 1801 Pittsburgh Ave. ♦ Erie, PA 16514

Phone: 814/455-0921 ♦ Fax: 814/454-7929 ♦ World Wide Web: [www.zurn.com](http://www.zurn.com)

In Canada: ZURN INDUSTRIES LIMITED ♦ 3544 Nashua Drive ♦ Mississauga, Ontario L4V1L2 ♦ Phone: 905/405-8272 Fax: 905/405-1292



# INSTALLATION INSTRUCTIONS

## ZN1203, Z1203-X, Z1203-XH, Z1203-XB WATER CLOSET SYSTEMS

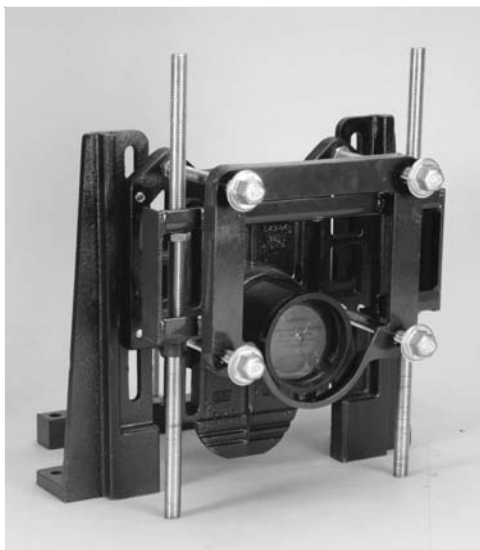
### Carrier Parts List:

Number	P.N.	Description	ZN	-X	-XH	-XB
1	62132-001-11	Narrow Wall Faceplate	X			
2	82811-001-11	Right Side Carrier Foot	X		X	X
3	82811-002-11	Left Side Carrier Foot	X		X	X
4	53611-007-11	NL4 Fitting without Rear Anchor Lug	*			
	53610-007-11	NR4 Fitting without Rear Anchor Lug	*			
5	53608-004-80	Face Plate Gasket	X	X	X	X
6	50535-007-43	1/2"-13x1 1/2" Washer Headed Cap Screw	X	X	X	X
7	82545-002-48	Washer Plates	X		X	X
8	14861-075-43	5/8"-11x9" Support Studs	X	X	X	X
9	14850-008-43	5/8" Jam Nut	X	X	X	X
10	23444-028-90	5/8"x1 3/4" Fiber Washer	X	X	X	X
11	25418-001-00	5/8"x1 3/4" Aluminum Cap Nut	X	X	X	X
12	18743-058-60	6" Plastic Coupling	X	X	X	
13	32844-001-80	Closet Gasket	X	X	X	X
14	14858-007-43	5/8" Nominal Washer	X	X	X	
15	54234-001-11	Face Plate		X	X	X
16	53611-004-11	NL4 Fitting		*	*	*
	53610-004-11	NR4 Fitting		*	*	*
17	83007-001-90	Rear Anchor Bar Assembly		X	X	X
18	83008-001-90	Support Frame Assembly				X
19	18743-026-11	6" Cast Iron Coupling				X
20	54236-007-11	Reversible Feet		X		
21	50369-001-80	O-RING	X	X	X	X
22	58753-001-43	Bowl Saver Washer				**

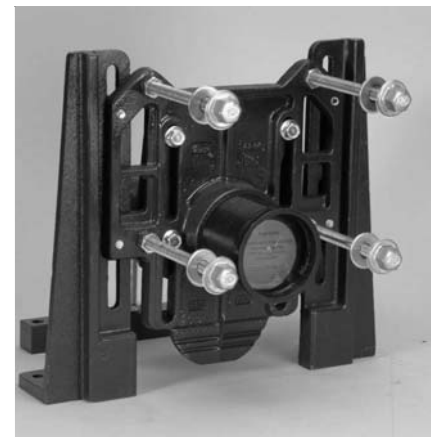
- X Required for complete installation
- \* One of the two fittings must be selected
- \*\* Only used with Vitreous China fixtures



# ZN1203, Z1203-X, -XH, -XB and ZN1204, Z1204-X, -XH & -XB INSTALLATION INSTRUCTIONS



**Z1203-XB**



**Z1203-XH**

- 1** Lay out all necessary closet fittings on floor. To obtain spacing between units, place proper lengths of pipe between adjoining fittings (or use ZE-Series).
- 2** Lift lengths of pipe into place between closet fittings and make up joints being sure all faces of fittings are parallel.
- 3** Roll entire assembly of connected closet fittings and drainage pipe 180° so that the flat faces are facing upward.

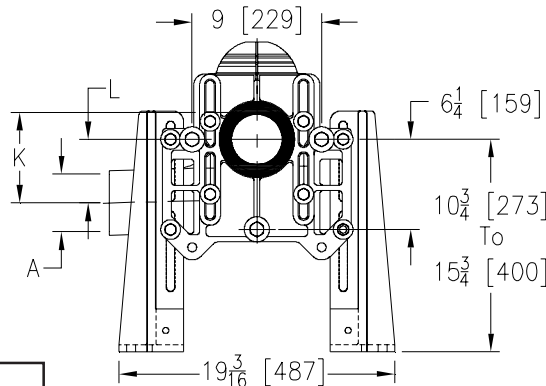
- 4** Place gasket on faces of fitting. Bolt face plate onto fitting, making certain to hand-tighten the four bolts. Beginning with the nearest fitting stack, locate top of large opening in face plate to coincide with top of oval waterway in closet fitting. (The opening on successive fittings should be located at successively lower positions to maintain proper drainage pitch). Using wrench, tighten all bolts uniformly until gasket is sufficiently compressed.

- 5** Adjust and secure feet on each faceplate, to bring closet outlet to desired closet height.
- 6** Roll entire assembly 90° forward onto feet, move into position, level, align, and make stack connection. Check to be sure closet outlets are in correct position and true. Secure feet to floor using rear slots and 1/2 [13] bolts (supplied by others).

- 6a** (Omit this step when installing double or narrow-wall carrier) At this point, install the rear anchor foot assembly. To assemble, screw stud into cast foot and secure with locknut, attach top of stud to anchoring lug on backside of carrier using locknuts and washers, then securely fasten cast foot to floor using 1/2 [13] bolts (supplied by others).

## Rigid Blow Out System

Note:  
For concealed flush valves and wall closets with rear inlet supply, face plate must be located behind supply line to prevent interference of face plate with supply line.



A	K	L	
I.P.S.		Min.	Max.
4 [102]	6 1/8 [156]	2 [51]	4 1/4 [108]
5 [127]	6 5/8 [168]	1 1/2 [38]	3 3/4 [95]



## INSTALLATION INSTRUCTIONS

**7** At this point the coupling and studs should be installed. Wipe O-ring seal recess in face plate clean. Insert O-ring in face plate recess and lubricate with white petroleum jelly provided. Screw adjustable coupling into faceplate until it meets O-ring, recognizable by the feel of resistance to the turning motion. Then use coupling wrench to turn the coupling into the O-ring, thus obtaining a water tight seal. Continue adjustment to locate face of coupling as instructed in #9, being certain that coupling is fully engaged with O-ring at final positioning. Thread studs into faceplate and secure by tightening nuts against faceplate.

It is recommended that a sleeve be placed around the coupling. Should further adjustments be anticipated, as this will keep mortar from locking coupling in wall, thus allowing coupling to be turned from front side of wall.

**7a** For bariatric carriers, remove support frame from packaging and place on studs after one nut is threaded onto each stud. Adjust nuts so front of support frame will sit flush with finished wall. Lower 3/4" studs in frame until they contact floor and tighten nuts against frame to secure. Finally, tighten set screws down to minimize movement in frame.

**8** After the wall finish is completed, place backup nut and washer on each stud per dimension X shown in #9 for narrow-wall & -XH. Due to variation in gasket recesses and thicknesses of flanges on various fixtures, it is important to recheck all coupling and stud dimensional data shown in #9. (If studs are too long, they will bottom in cap nut before closet has been drawn up sufficiently to compress gasket. Coupling should extend far enough beyond finished wall so that gasket will compress properly in gasket recess to provide a leak proof seal when cap nuts are installed). Remove Neo-seal gasket from container and install in strict accordance with installation instructions therein. Place closet in position on the fixture studs and tighten securely to complete the installation. Be sure all bearing washers are located in same plane so that they all contact the closet.

**SPECIAL NOTE:** The carrier is designed to support the fixture only and must be installed correctly on a floor substantial enough for support. The piping system must be supported by other means.

**9** Enlarged illustration shows depth of gasket recess in fixture and coupling with normal pressure on gasket. To ensure a tight seal at outlet of closet having a rectangular groove, the front end of the coupling should be located to compress the gasket adequately when the fixture is in the desired location. This dimension will vary depending on depth of recess, (Dim. A) in closet. The following formula may be used to determine the amount the coupling should extend (Dim. B) in front of finished wall.

Let A = depth of recess in closet

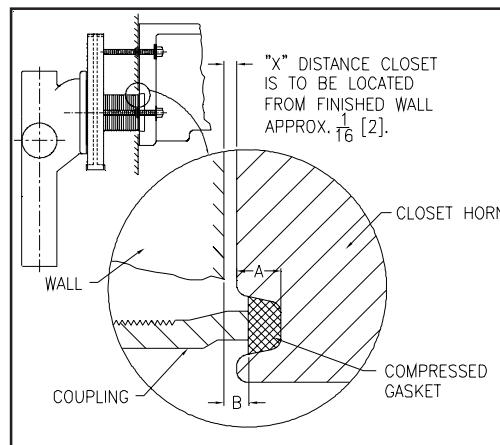
X = distance closet is to be located from finished wall.

B = distance coupling should extend in front of finished wall.

Thus,  $A + X - 1/2 [13] = B$

With fixtures having "V" shaped grooves, coupling may have to extend an additional 1/8 [3] or more. With any closet, the coupling must compress the gasket enough so the adhesive coated surfaces are in good contact with the china and the face of the coupling.

**IMPORTANT:** Bearing nuts and washers must be located properly to establish and maintain dimension X on -XH and narrow-wall only.



### Distance for Fixture Bolts Located in Front of Wall

To locate fixture bolts:

Let T = thickness of wall flange of closet

X = distance closet is to be located from finished wall

B = distance fixture stud should extend in front of finished wall.

Thus,  $T + X + 5/8 [16] = B$

**10** When installed correctly, the fixture will be supported by Zurn Systems only, it will not touch the wall at any point.

**IMPORTANT:** When coupling with "Integral Test Cap" is utilized, Integral Test Cap must be removed prior to mounting water closet on studs and coupling for final assembly.

Form # C32

Date: 04/16/10

C.N. No. 111018

Rev. B

Page 5 of 5

ZURN INDUSTRIES, INC. ♦ SPECIFICATION DRAINAGE OPERATION ♦ 1801 Pittsburgh Ave. ♦ Erie, PA 16514

Phone: 814/455-0921 ♦ Fax: 814/454-7929 ♦ World Wide Web: www.zurn.com

In Canada: ZURN INDUSTRIES LIMITED ♦ 3544 Nashua Drive ♦ Mississauga, Ontario L4V1L2 ♦ Phone: 905/405-8272 Fax: 905/405-1292