



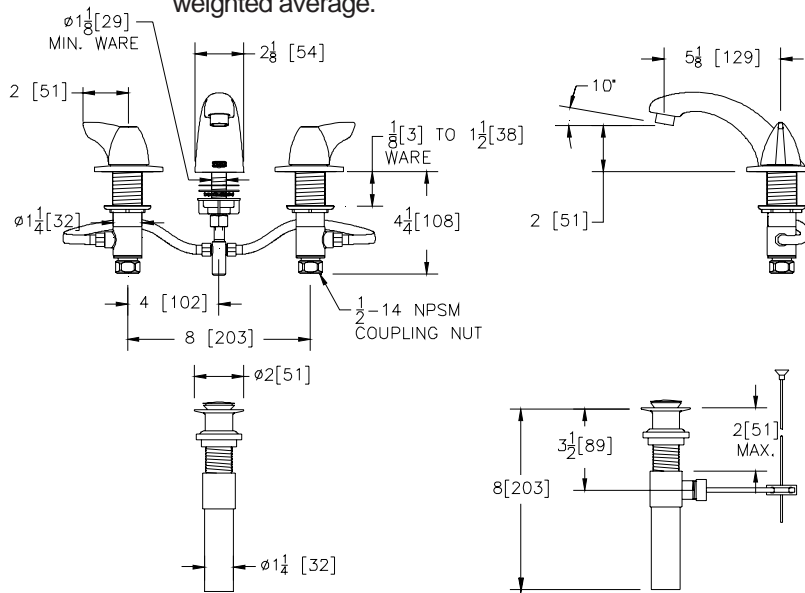
WIDESPREAD Z831R3-XL-P TAG _____



Engineering Specifications: Zurn AquaSpec® Z831R3-XL-P

Polished chrome-plated widespread with adjustable centers from 6" [152mm] to 20" [508mm], a 5" [127mm] centerline cast brass low profile spout and quarter turn ceramic disc cartridges. Unit is furnished with a 2.2 GPM [8.3 L] pressure compensating aerator (complying with ANSI A112.18.1 Standard for flow), 2" [51mm] vandal-resistant color-coded metal dome lever handles, mounting hardware, 1/2" NPSM coupling nuts for standard lavatory risers and a 1-1/4" [32mm] pop-up drain. Widespread accommodated installations up to 1-1/2" [38mm] thick.

Zurn Lead Free products (-XL), is the line of durable, high quality brass faucets and fixtures that are designed and manufactured to comply with state laws and local codes that mandate lead content levels. Zurn Lead Free products (-XL) are manufactured with less than one quarter of one percent (0.25%) total lead content by weighted average.



Note: All dimensions are for reference only. Do not use for pre-plumbing



OPTIONAL ACCESSORIES

Suffix	Description
___-CWO	Cold Water Only
___-HCT	Hot/Cold Text Indexes
___-ICT	Inter-connecting Copper Supply Tubes for 8" [203mm] In-line Centers
___-PT	1-1/4" [32mm] Cast Brass P-Trap with a 7-1/2" [191mm] Long 17-Gauge Wall Bend
___-2M	2.2 GPM [8.3 L] Vandal-Resistant Pressure Compensating Male Aerator
___-3M	0.5 GPM [1.9 L] Vandal-Resistant Pressure Compensating Male Spray Outlet
___-4M	2.2 GPM [8.3 L] Vandal-Resistant Pressure Compensating Male Laminar Flow Outlet
___-7M	1.0 GPM [3.8 L] Pressure Compensating Male Spray Outlet
___-16M	1.0 GPM [3.8 L] Vandal Resistant Pressure Compensating Male Spray Outlet
___-17M	1.5 GPM [5.7 L] Vandal Resistant Pressure Compensating Male Aerator
___-18M	1.5 GPM [5.7 L] Vandal Resistant Pressure Compensating Male Laminar Flow
___-19M	1.5 GPM [5.7 L] Anti-Microbial Pressure Compensating Male Laminar Flow Outlet
___-20M	1.0 GPM [3.8L] Vandal-Resistant Pressure Compensating Anti-Microbial Male Laminar Flow Outlet
___-21M	1.0 GPM [3.8L] Male Laminar Flow Outlet
___-22M	1.0 GPM [3.8L] Vandal-Resistant Male Laminar Flow Outlet

ZURN INDUSTRIES, LLC ♦ COMMERCIAL BRASS OPERATION ♦ 2640 SOUTH WORK STREET ♦ FALCONER NY 14733

Phone: 1-716-665-1132 ♦ Fax: 1-716-665-1135 ♦ World Wide Web: www.zurn.com

In Canada: ZURN INDUSTRIES LIMITED ♦ 3544 Nashua Drive ♦ Mississauga, Ontario L4V1L2 ♦ Phone: 905/405-8272 Fax: 905/405-1292