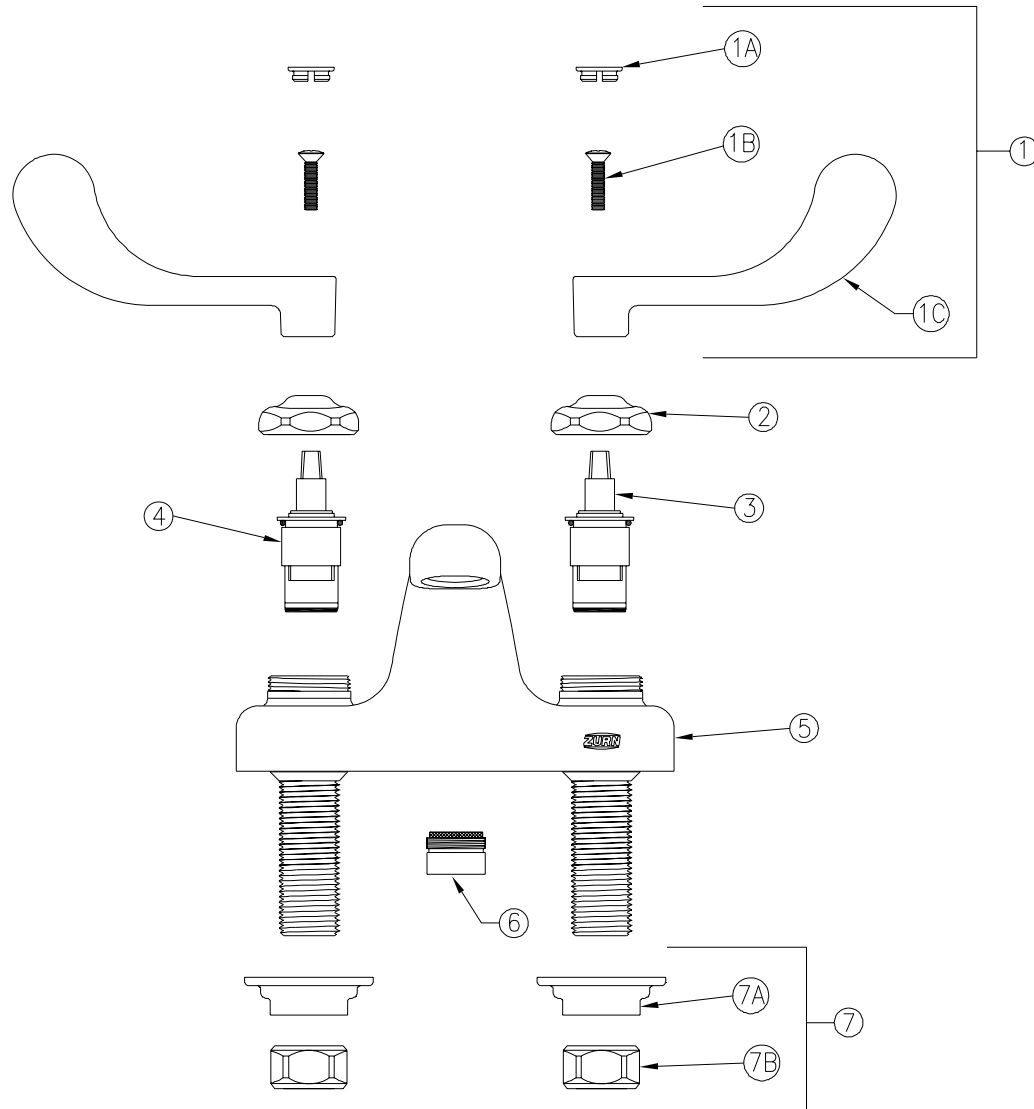


4" CENTERSET

Z81104-XL Parts List



| Item | Part Number | Description | Qty. |
|------|-------------|---|------|
| 1 | G60504 | 4" [102mm] Vandal-Resistant Metal Wrist Blade Handles | 1 |
| 1A | G60500 | Hot/Cold Color-Coded Indexes | 1 |
| | 59454001 | Hot Index | 1 |
| | 59454002 | Cold Index | 1 |
| 1B | 62464001 | 10-32 Screw | 2 |
| 1C | 59453001 | 4" Wrist Blade Handle | 2 |
| 2 | 59440001 | Handle Nut | 2 |
| 3 | 59517005 | Short Cold Cartridge XL | 1 |
| 4 | 59517006 | Short Hot Cartridge XL | 1 |
| 5 | 92950003 | 4" Centerset Body XL | 1 |
| 6 | G63505 | 13/16"-27 Male Aerator - 2.2 GPM [8.3 L] | 1 |
| 7 | G60502 | Mounting Hardware | 1 |
| 7A | 59530002 | Mounting Nut | 2 |
| 7B | 59532001 | 1/2" NPSM Riser Nut | 2 |

ZURN INDUSTRIES, LLC ♦ COMMERCIAL BRASS OPERATION ♦ 2640 SOUTH WORK STREET ♦ FALCONER NY 14733

Phone: 1-800-997-3876 ♦ Fax: 1-919-775-3541 ♦ www.zurn.com

In Canada: ZURN INDUSTRIES LIMITED ♦ 3544 Nashua Drive ♦ Mississauga, Ontario L4V1L2 ♦ Phone: 905/405-8272 Fax: 905/405-1292