



# Z5585

1.6 gpf Pressure Assist Elongated ADA  
Floor Mounted, Back Outlet Water Closet

TAG \_\_\_\_\_



## Z5585 Series

- 1.6 gpf (gallons per flush)
- Vitreous china
- Pressure assisted tank
- High performance EcoFlush™ technology
- Easy touch handle actuation
- Ultra quiet flush
- Siphon jet flush action
- ADA height
- 4-1/8" back outlet rough-in
- 2-1/8" fully glazed trapway
- Operating pressure range 20-125 psi
- Elongated front rim
- Chrome plated handle
- Large water surface area
- Includes bolt caps
- Shipping weight: 99 lbs.

Z5585

### Suffix Options:

\_\_\_ -RH Vitreous China right-hand lever tank

**Please Note:** HET 1.0 gpf and HET dual flush 1.6 gpf/ 1.0 gpf pressure assist tanks also available. See Models Z5586 and Z5587.

### Recommended Trim:

**Z5958SS-EL**

Elongated, white, closed front toilet seat with cover & stainless steel check hinge.

**Z8800-CR**

Standard stop with flexible closet riser.

### Engineering Specification:

- Z5585** Vitreous china, 1.6 gpf / 6 Lpf, High Performance Pressure Assisted, Elongated ADA Height Two Piece Toilet with 4-1/8" back outlet Rough-in.

*These dimensions and specifications are subject to change without notice.*

*Fixture dimensions meet ANSI/ASME standard A112.19.2-2003 and CAN/CSA B45 requirements.*

*Meets the American Disabilities Act Guidelines and ANSI A117.1 requirements when installed so that the top of seat is 17"-19" from finished floor.*



**This space is for Architectural/engineering Approval**

See Zurn One Systems for suggested packages.

**Zurn Plumbing Products Group** Commercial Brass and Fixtures Operation  
2640 South Work Street · Falconer, NY 14733 · Phone: 716-665-1132 · Fax: 716-665-1135 · www.zurn.com

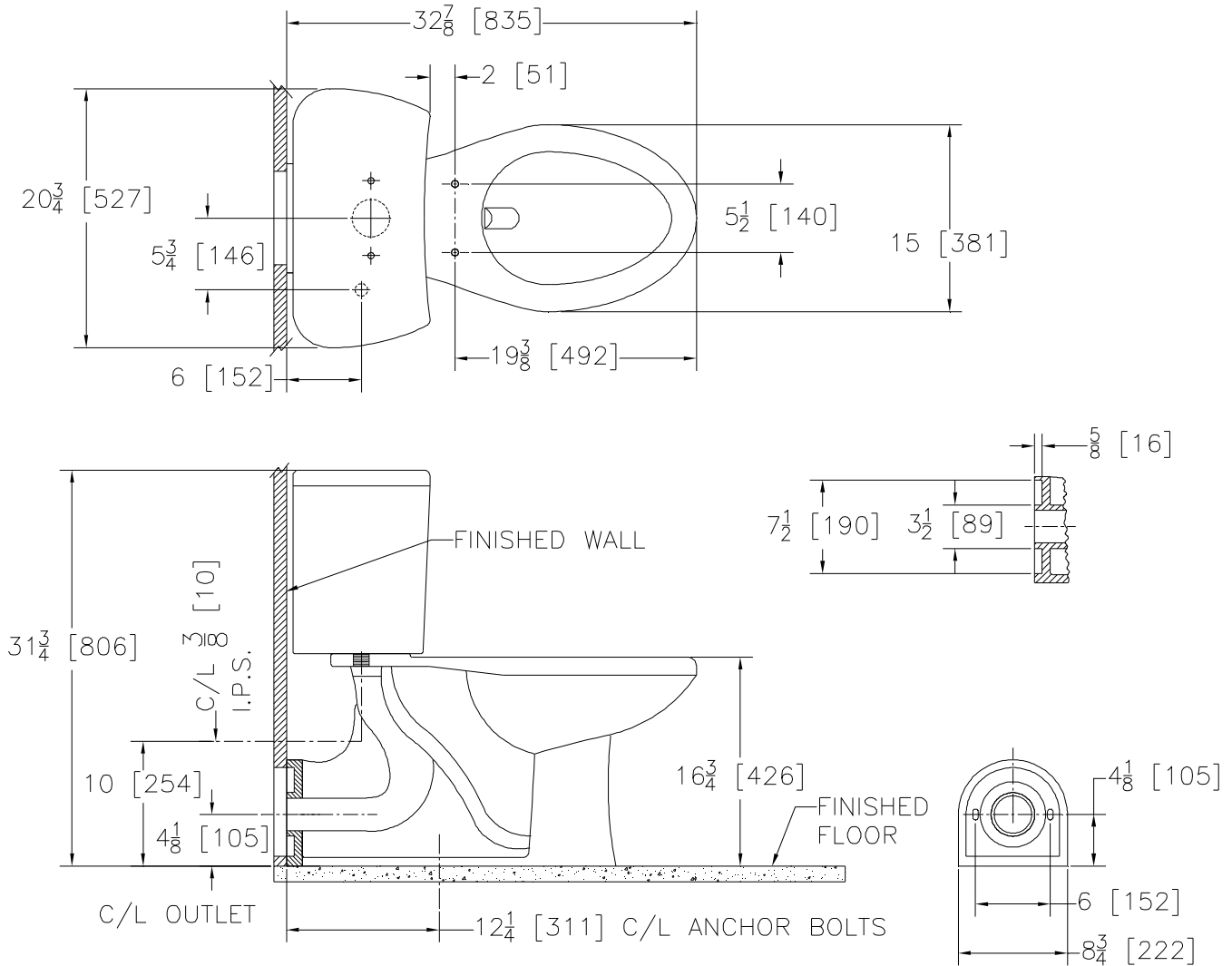


# Z5585

## 1.6 gpf Pressure Assist Elongated ADA Floor Mounted, Back Outlet Water Closet

TAG \_\_\_\_\_

Rough-in dimensions for Z5585



These dimensions and specifications are subject to change without notice.

Fixture dimensions meet ANSI/ASME standard A112.19.2-2003 and CAN/CSA B45 requirements.

Meets the American Disabilities Act Guidelines and ANSI A117.1 requirements when installed so that the top of seat is 17"-19" from finished floor.



**Zurn Plumbing Products Group** Commercial Brass and Fixtures Operation

2640 South Work Street · Falconer, NY 14733 · Phone: 716-665-1132 · Fax: 716-665-1135 · www.zurn.com