



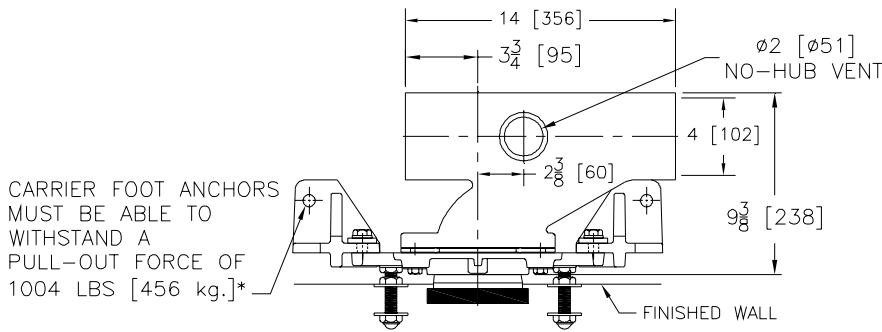
ZN1203-N4

ADJUSTABLE HORIZONTAL SIPHON JET NO-HUB NARROW WALL SYSTEM, (9 3/8 [238] DEPTH FRONT TO BACK)

SPECIFICATION SHEET

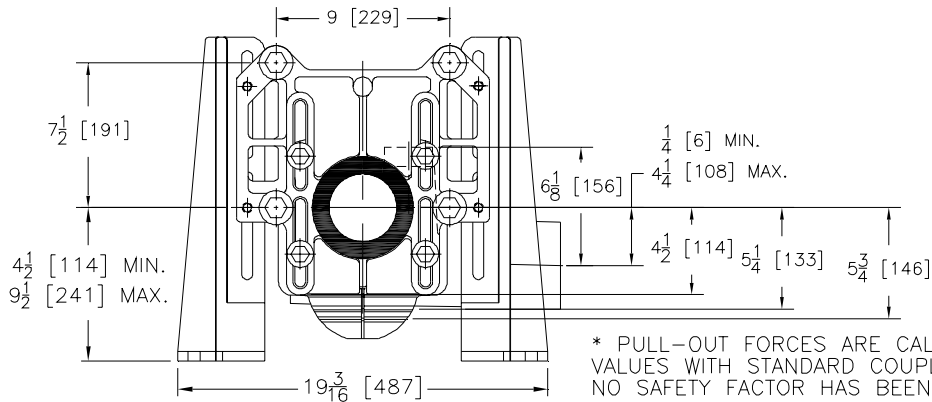
TAG _____

Dimensional Data (inches and [mm]) are Subject to Manufacturing Tolerances and Change Without Notice



Product Number	Approx. Wt. Lbs. [kg]
ZN1203-NL4	83 [37]
ZN1203-NR4	

**PATENT
PENDING**



* PULL-OUT FORCES ARE CALCULATED VALUES WITH STANDARD COUPLING ASSEMBLY. NO SAFETY FACTOR HAS BEEN APPLIED.

ENGINEERING SPECIFICATION: ZURN ZN1203-N () Narrow Wall Adjustable, horizontal siphon jet water closet "Rigid System" with 4 [102] No-Hub connections. Complete with Dura-Coated cast iron right hand or left hand main fitting, with 2 [51] vent, adjustable gasketed chase saver face plate, floor mounted foot supports, corrosion resistant ABS coupling with integral test cap, fixture bolts, trim, stud protectors, and bonded "Neo-Seal" gasket. Carrier complies with all applicable requirements of ASME A112.6.1M up to a 300-Lb. [136-kg.] load.

OPTIONS (Check/specify appropriate options)

- _____ ZN1203-NR4 4 [102] No-Hub Right Hand Inlet with Flow to Left for Narrow Wall
- _____ ZN1203-NL4 4 [102] No-Hub Left Hand Inlet with Flow to Right for Narrow Wall

PREFIXES

- _____ Z D.C.C.I. System with Zurn "ZZ" Adjustable Coupling*
- _____ ZQ D.C.C.I. System with N.P.T. Faceplate, Non-Adjustable Coupling

SUFFIXES

- _____ -B Blowout Type Fixture Support
- _____ -G Galvanized Cast Iron
- _____ -T Threaded Connection
- _____ -VP Vandal Proof Trim
- _____ -50 Flush Valve Supply Support for Water Closets
- _____ -61 "ZZ" Coupling Wrench

Note:

1. Feet bolted to floor using anchors capable of achieving the specified pull-out force.

*REGULARLY FURNISHED UNLESS OTHERWISE SPECIFIED

REV. E DATE: 02/01/07 C.N. NO. 96140

DWG. NO. 67531 PRODUCT NO. ZN1203-N4

ZURN INDUSTRIES, INC. " SPECIFICATION DRAINAGE OPERATION " 1801 Pittsburgh Ave. " Erie, PA 16514

Phone: 814/455-0921 " Fax: 814/454-7929 " World Wide Web: www.zurn.com

In Canada: ZURN INDUSTRIES LIMITED " 3544 Nashua Drive " Mississauga, Ontario L4V1L2 " Phone: 905/405-8272 Fax: 905/405-1292