



KITCHEN SINK FAUCET Z871B4-XL

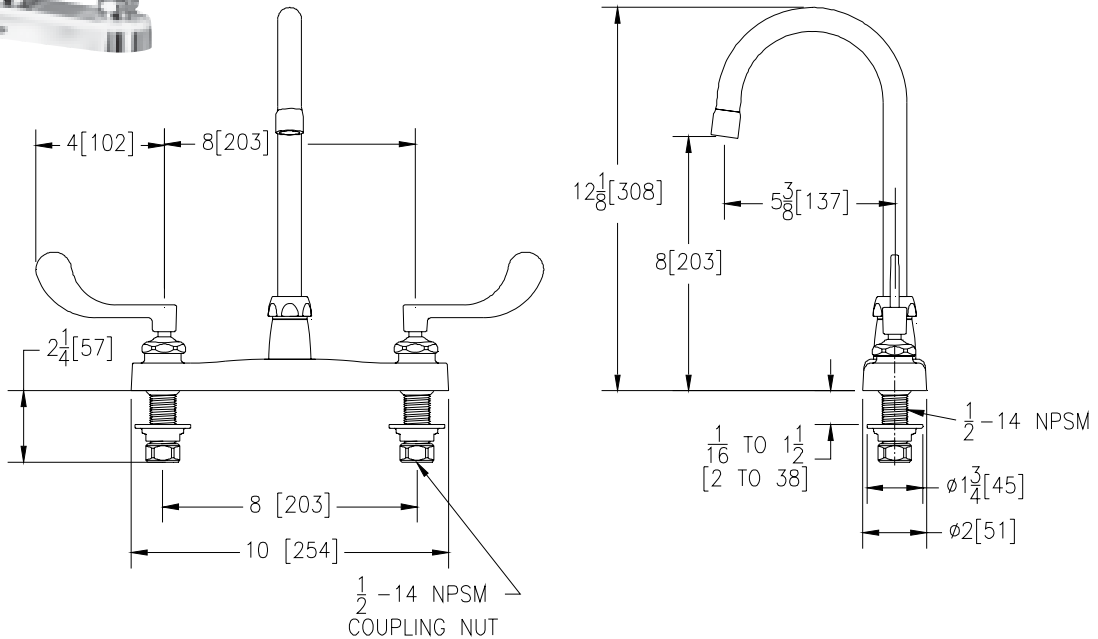


TAG _____

Engineering Specifications: Zurn AquaSpec® Z871B4-XL

Polished chrome-plated 8" [203mm] brass deck faucet with a 5-3/8" [137mm] centerline rigid or swing gooseneck spout and quarter turn ceramic disc cartridges. Unit is furnished with a 2.2 GPM [8.3 L] pressure compensating aerator (complying with ANSI A112.18.1 Standard for flow), 4" [102mm] vandal-resistant color-coded metal wrist blade handles, mounting hardware and 1/2" NPSM coupling nuts for standard lavatory risers.

Zurn Lead Free products (-XL), is the line of durable, high quality brass faucets and fixtures that are designed and manufactured to comply with state laws and local codes that mandate lead content levels. Zurn Lead Free products (-XL) are manufactured with less than one quarter of one percent (0.25%) total lead content by weighted average.



Note: All dimensions are for reference only. Do not use for pre-plumbing

OPTIONAL ACCESSORIES

Suffix	Description
___FC	2.0 GPM [7.6L] Laminar Flow Control in Base of Spout
___HCT	Hot/Cold Text Indexes
___HS	Hose and Spray
___PT	1-1/4" [32mm] Cast Brass P-Trap with a 7-1/2" [191mm] Long 17-Gauge Wall Bend
___2F	2.2 GPM [8.3 L] Vandal-Resistant Pressure Compensating Female Aerator
___3F	0.5 GPM [1.9 L] Vandal-Resistant Pressure Compensating Female Aerator
___4F	2.2 GPM [8.3 L] Vandal-Resistant Pressure Compensating Female Laminar Flow
___7F	1.0 GPM [3.8 L] Pressure Compensating Female Spray Outlet
___16F	1.0 GPM [3.8 L] Vandal-Resistant Pressure Compensating Female Spray Outlet
___17F	1.5 GPM [5.7 L] Vandal-Resistant Pressure Compensating Female Aerator
___18F	1.5 GPM [5.7 L] Vandal-Resistant Pressure Compensating Female Laminar Flow
___19F	1.5 GPM [5.7 L] Anti-Microbial Pressure Compensating Female Laminar Flow Outlet
___20F	1.0 GPM [3.8L] Vandal-Resistant Pressure Compensating Anti-Microbial Female Laminar Flow Outlet
___21F	1.0 GPM [3.8L] Female Laminar Flow Outlet



ZURN INDUSTRIES, LLC ♦ COMMERCIAL BRASS OPERATION ♦ 2640 SOUTH WORK STREET ♦ FALCONER NY 14733

Phone: 1-716-665-1132 ♦ Fax: 1-716-665-1135 ♦ World Wide Web: www.zurn.com

In Canada: ZURN INDUSTRIES LIMITED ♦ 3544 Nashua Drive ♦ Mississauga, Ontario L4V1L2 ♦ Phone: 905/405-8272 Fax: 905/405-1292