



AquaVantage® AV Aquaflush® Bedpan Washer Series

Installation, Operation,
Maintenance, and Parts Manual

Patented and Patents Pending



AquaVantage AV
Bedpan Washer, Tran Primer,
and Foot Pedal Valves



Z6000AV-BWN



Z6011AV-BWN



AquaVantage/Aquaflush Bedpan Washer Systems

- Z6000-DVN
- Z6010-DVN
- Z6011-DVN
- Z6000AV-BWN
- Z6010AV-BWN
- Z6011AV-BWN
- Z6020AV-BWN
- Z6040AV-BWN
- ZH6000AV-BWN
- ZR6000AV-BWN
- ZER6000AV-BWN
- ZEMS6000AV-IS-BWN



Z6000-DVN



Z6011-DVN



LIMITED WARRANTY

All goods sold hereunder are warranted to be free from defects in material and factory workmanship for a period of three years from the date of purchase. Decorative finishes warranted for one year. We will replace at no cost goods that prove defective provided we are notified in writing of such defect and the goods are returned to us prepaid at Sanford, NC, with evidence that they have been properly maintained and used in accordance with instructions. We shall not be responsible for any labor charges or any loss, injury or damages whatsoever, including incidental or consequential damages. The sole and exclusive remedy shall be limited to the replacement of the defective goods. Before installation and use, the purchaser shall determine the suitability of the product for his intended use and the purchaser assumes all risk and liability whatever in connection therewith. Where permitted by law, the implied warranty of merchantability is expressly excluded. If the products sold hereunder are "consumer products," the implied warranty of merchantability is limited to a period of three years and shall be limited solely to the replacement of the defective goods. All weights stated in our catalogs and lists are approximate and are not guaranteed.



AquaVantage® AV ZH Series

Hydraulic-Operation Flush Valve
Installation, Operation,
Maintenance, and Parts Manual

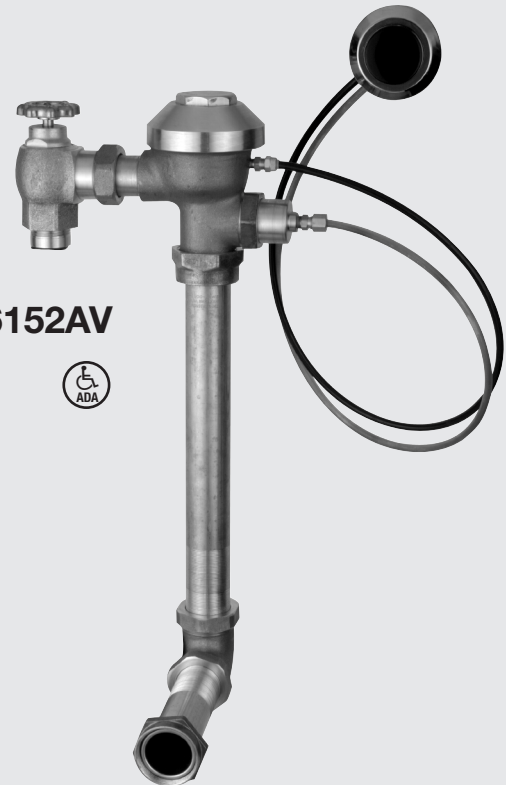
Patented and Patents Pending



AquaVantage AV
Hydraulic Flush Valves



ZH6003AV



ZH6152AV



Hydraulic-Operation Closet/Urinal Systems

- ZH6000AV
- ZH6001AV
- ZH6003AV
- ZH6010AV
- ZH6017AV
- ZH6140AV
- ZH6142AV
- ZH6150AV
- ZH6152AV
- ZH6190AV
- ZH6195AV

LIMITED WARRANTY

All goods sold hereunder are warranted to be free from defects in material and factory workmanship for a period of three years from the date of purchase. Decorative finishes warranted for one year. We will replace at no cost goods that prove defective provided we are notified in writing of such defect and the goods are returned to us prepaid at Sanford, NC, with evidence that they have been properly maintained and used in accordance with instructions. We shall not be responsible for any labor charges or any loss, injury, or damages whatsoever, including incidental or consequential damages. The sole and exclusive remedy shall be limited to the replacement of the defective goods. Before installation and use, the purchaser shall determine the suitability of the product for his intended use and the purchaser assumes all risk and liability whatever in connection therewith. Where permitted by law, the implied warranty of merchantability is expressly excluded. If the products sold hereunder are "consumer products," the implied warranty of merchantability is limited to a period of three years and shall be limited solely to the replacement of the defective goods. All weights stated in our catalogs and lists are approximate and are not guaranteed.



AquaVantage® Valve Rough-In, Product Specifications, Models, and Options

PRODUCT SPECIFICATIONS: ZURN AquaVantage® 'AV' ZH Series

Exposed/Concealed Flush Valve – Exposed/concealed, quiet diaphragm-type, chrome plated/rough brass, flushometer valve with Zurn's AquaVantage TPE, chloramine resistant, dual seal diaphragm with surface optimization and clog resistant dynamic orifice. The valve is complete with a non-hold-open type feature with a hydraulic push-button actuator that may be located up to 36" [914] (7' [2133] with -SW option) from the valve, high back pressure vacuum breaker, hex coupling nut, and adjustable tailpiece. Spud coupling and flange for top spud connection for exposed valves. Elbow flush connection and spud coupling for back spud connection for concealed valves. Control stop has internal siphon-guard protection and sweat solder kit. Exposed valves are supplied with vandal-resistant cap and a cast wall flange with setscrew. Internal seals are made of chloramine resistant materials. Electrical box for exposed valves supplied by others.

MODELS

Exposed

- ZH6000AV – 1-1/2" Water closet valve with top spud connection.
- ZH6001AV – 1-1/4" Urinal valve with top spud connection.
- ZH6003AV – 3/4" Urinal valve with top spud connection.
- ZH6010AV – 1-1/2" Water closet valve with back spud connection.
- ZH6017AV – 1-1/2" Water closet valve with top spud connection.

Concealed

- ZH6140AV – 1-1/2" Water closet valve with back spud connection.
- ZH6142AV – 1-1/2" Water closet valve with top spud connection.
- ZH6150AV – 1-1/2" Water closet valve for flushing rim floor drains.
- ZH6152AV – 1-1/2" Water closet valve with back spud connection.
- ZH6190AV – 1-1/4" Water closet valve with back spud connection.
- ZH6195AV – 3/4" Urinal valve with back spud connection.

FLOW OPTIONS

Closets

- WS1 1.6 Gal. Low Consumption Flush
- FF 4.5 Gal. Full Flush
- Standard Flush** 3.5 Gal. Per Flush

Urinals

- WS1 1.0 Gal. Low Consumption Flush
- WS 1.5 Gal. Per Flush
- Standard Flush** 3.0 Gal. Per Flush

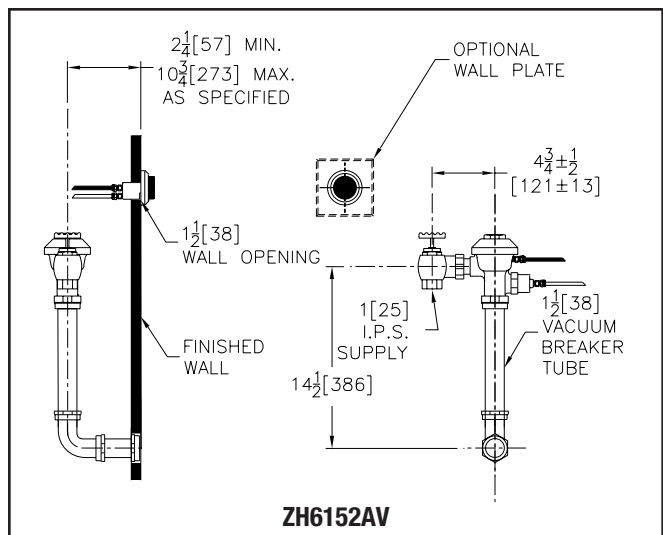
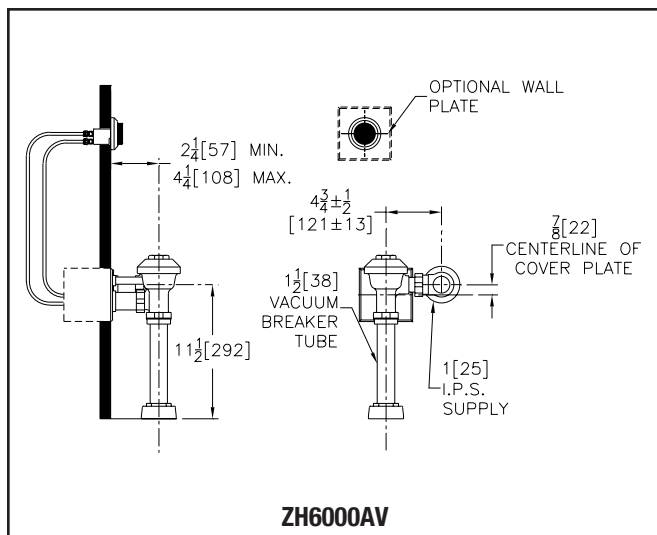
SUFFIX OPTIONS

Exposed

- MB 1" [25 mm] Metal Push Button Hydraulic Actuator
- SW Side Wall Mounted Hydraulic Actuator
- WP Wall Plate for Push Button (ZP-50)
- YJ Split Ring Pipe Support
- YK Solid Ring Pipe Support
- YO Bumper on Angle Stop (Closets Only)
- _____ Other

Concealed

- FW Fixture Wall Mounting Hydraulic Actuator
- MB 1" [25 mm] Metal Push Button Hydraulic Actuator
- SW Side Wall Mounted Hydraulic Actuator
- WP Wall Plate for Push Button (ZP-50)
- _____ Other



Sweat Solder Adaptor Installation Instructions for Exposed Valves

Important:

- All plumbing is to be installed according to state and local codes and regulations.
- Water supply lines need to allow proper water flow for each fixture.
- Flush all lines of any debris before making connections.
- Do not use pipe sealant or plumbing grease on any fitting other than the control stop inlet.

The AquaVantage valve is designed to operate under several varieties of water pressure. The pressures fall between 10 and 100 psi (69 to 689 kPa). Each valve is tested at the lowest and highest pressures before being shipped. The minimum pressure is determined by the type of fixture purchased and the gallons per flush requested. Consult your catalog for flow options. Most low consumption valves (1.6 gallon) require a minimum of 25 psi flow pressure. Rough-in for plumbing and double gang box per specification sheet and Figure A. When installing your quality Zurn valve it is recommended that to protect the polished finish you do not use a toothed wrench. This will cause gouges and scratches on your valve.

STEP NO. 1

Measure distance from finished wall to centerline of fixture spud; cut supply pipe 1-1/4" shorter than this measurement. Chamfer O.D. and I.D. (See Figure B.)

STEP NO. 2

Slide threaded adaptor onto supply pipe until shoulder stops on end of pipe, then sweat-solder the adaptor to the water supply pipe. (See Figure C.)

STEP NO. 3

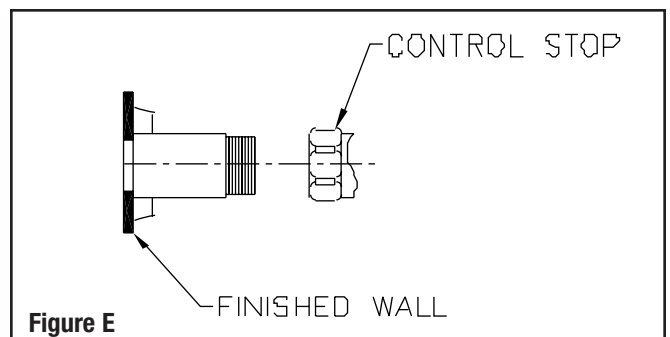
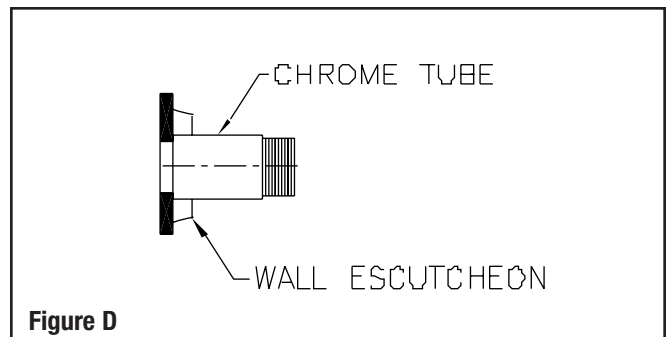
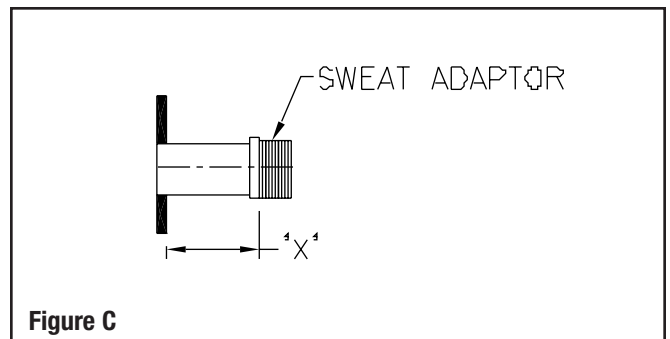
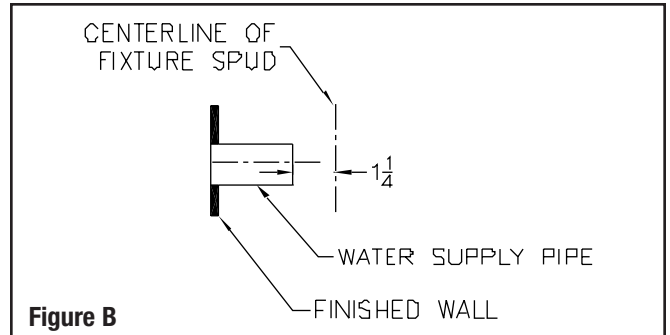
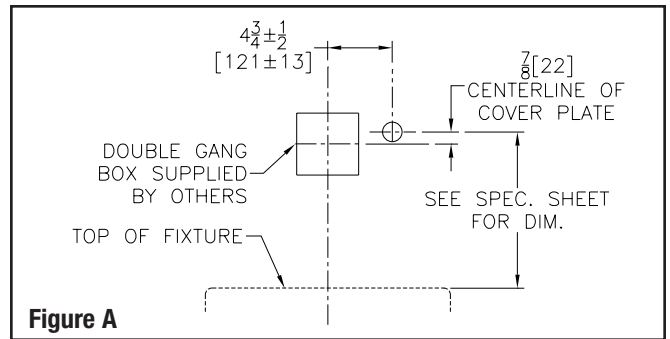
Measure from finished wall to first thread of adaptor for length of chrome tube. Cut chrome tube this length 'X'. (See Figure C.)

STEP NO. 4

Slide wall escutcheon over chrome tube and slide both chrome tube and wall escutcheon over supply pipe pushing wall escutcheon all the way to the wall. (See Figure D.)

STEP NO. 5

Screw control stop onto water supply adaptor. (See Figure E.)



AquaVantage AV
Hydraulic Flush Valves



AquaVantage® Valve Installation Instructions for Exposed ZH Series

STEP 1

Control Stop Installation (Figure 1)

Install the Zurn control stop valve with “Siphon Guard” back check protection (and wall escutcheon on exposed flushometer installations) to the water supply line with outlet positioned as required.

Note: For sweat solder applications, see recommended instructions on Page 3 or refer to those included in the Zurn sweat solder kit.

STEP 2

Install Vacuum Breaker Flush Connection (Figure 2)

Top Spud – Slide the tube nut, spud nut, fiber washer, rubber gasket, and fixture escutcheon over the vacuum breaker tube and insert into fixture tube. Hand tighten spud nut into fixture spud.

Back Spud – Assemble pipe, elbow, coupling nuts, fiber washers, rubber gaskets, and fixture escutcheon as illustrated in Figure 2.

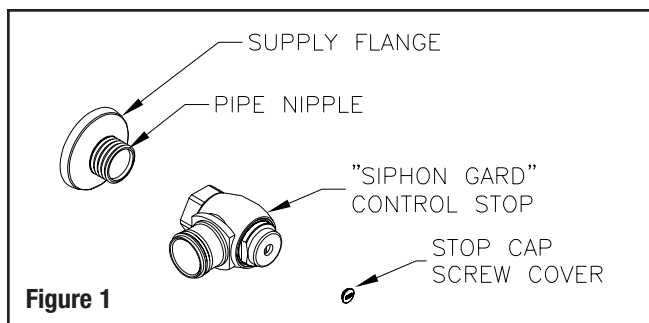


Figure 1

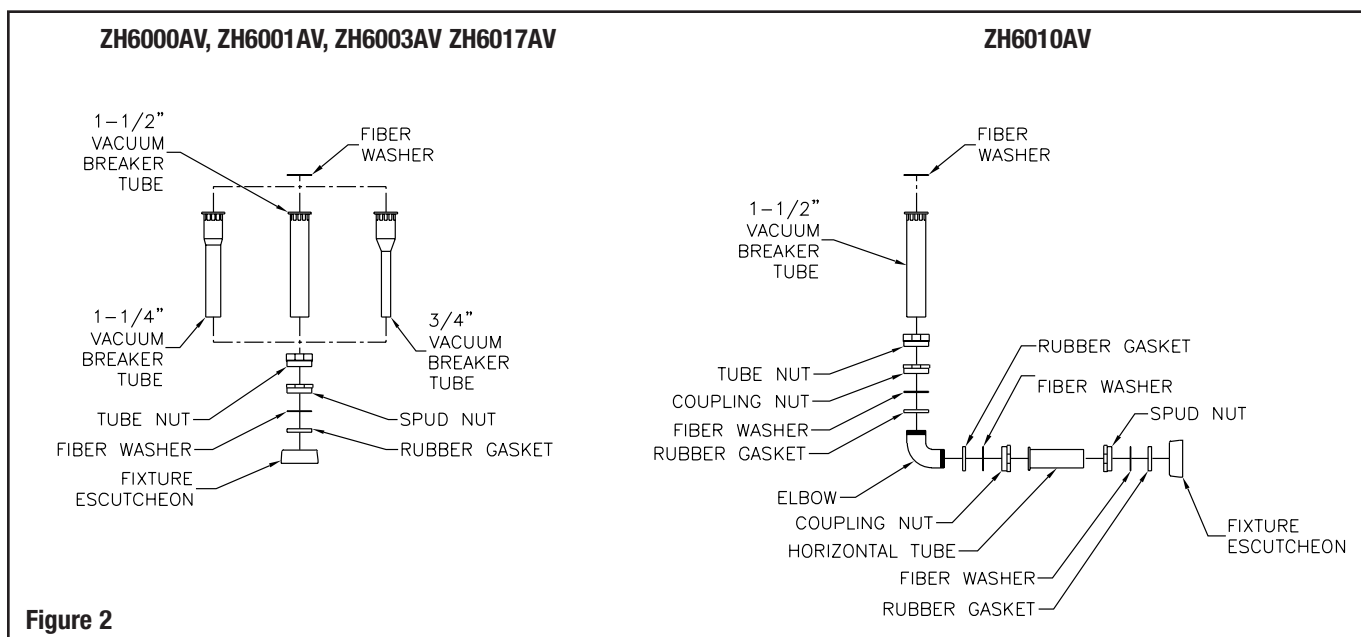


Figure 2

STEP 3

Installation of Main Valve Body

- Run the black inlet tube of the push button (Figure 4) through the small hole of the cover plate (Figure 3).
- Run the clear outlet tube of the push button (Figure 4) through the large bottom hole of the cover plate (Figure 3).
- Loosely mount the cover plate to the electrical box (Figure 3).
- Run the top black nylon tubing through the small cover tube and small cover tube ring (Figure 3).
- Run the top clear bottom nylon tubing through the large cover tube and large cover tube ring (Figure 3).
- Place the main valve body in position and connect the nylon tubing to the compression fittings on the back of the flushometer (Figure 4).
- Tighten the compression fittings but do not over tighten.
- Position valve body on control stop body and vacuum breaker tube. Valve body tailpiece compensates for mismatched rough-ins on the job. Maximum adjustment is 1/2" [13 mm] plus or minus the recommended 4-3/4" [121 mm] centerline of flush valve to centerline of control stop dimension (Figure 5).
- Align flush valve with centerline of fixture spud and tighten flush tube nut and tailpiece nut.
- Push the cover tubes flush against the valve body and tighten the setscrew on cover tube rings.
- Tighten the four screws on the wall plate using the hex wrench (Figure 3).
- Push the cover tube rings against the cover plate and tighten the setscrews (Figure 3).

AquaVantage® Valve Installation Instructions for Exposed ZH Series

STEP 4

Install push button actuator.

STEP 5

Flush out supply line (Figure 6). Make sure the control stop is closed. Remove flushometer cover. Lift out the diaphragm kit assembly. Install the flushometer cover, wrench tight and open stop. Turn on water supply to flush line of any debris or sediment.

After completion, shut off control stop, remove cover and reinstall the diaphragm kit assembly. Install flushometer cover wrench tight.

STEP 6

Adjust Control Stop

Adjust the control stop to meet the flow rate required for proper cleaning of the fixture. Open control stop counterclockwise 1/2 turn from closed position. Activate flushometer with pushbutton. Adjust the control stop after each flush until the rate of flow delivered properly cleanses the fixture. The final setting for urinals should be such that the fixture will not overflow when the valve is activated in succession. The stop cap screw cover should be replaced after final adjustments have been made.

STEP 7

Install vandal-resistant cap with setscrews provided (Figure 7).

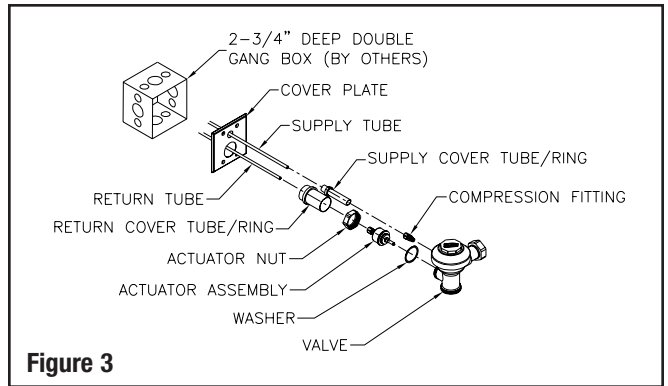


Figure 3

Note: No Teflon tap or thread sealer is required for compression fitting retainers.

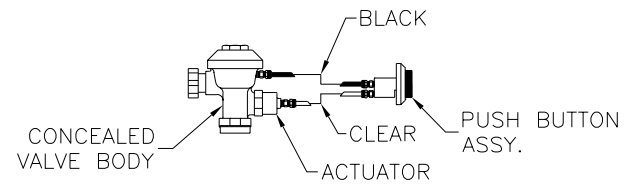


Figure 4

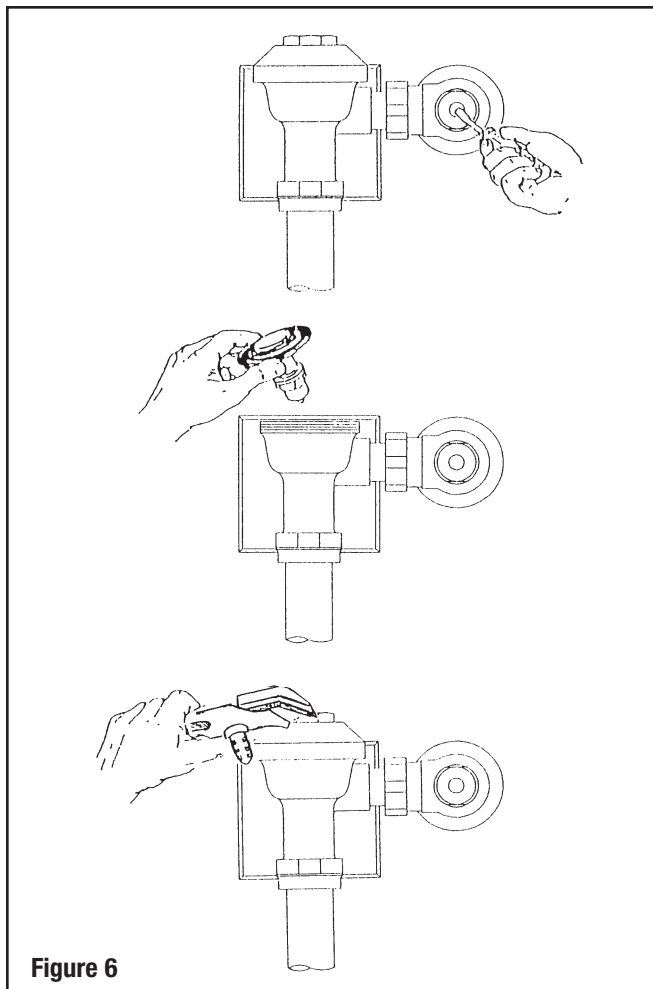


Figure 6

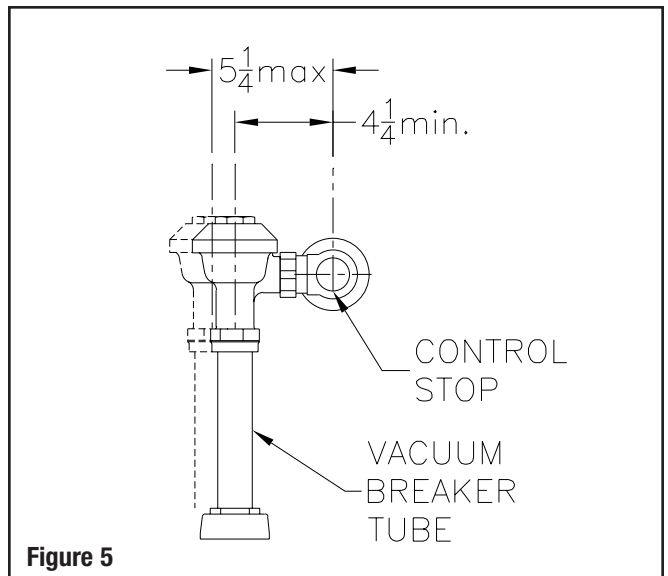


Figure 5

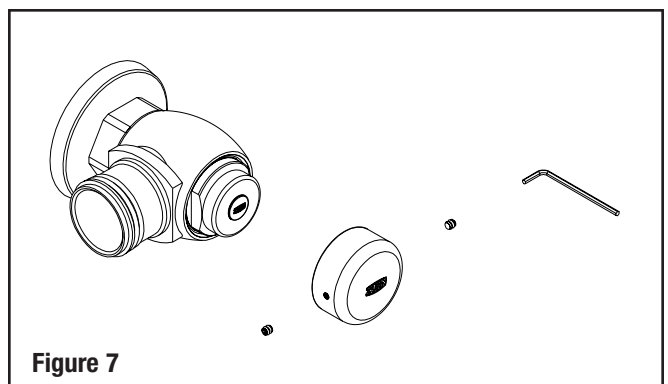


Figure 7



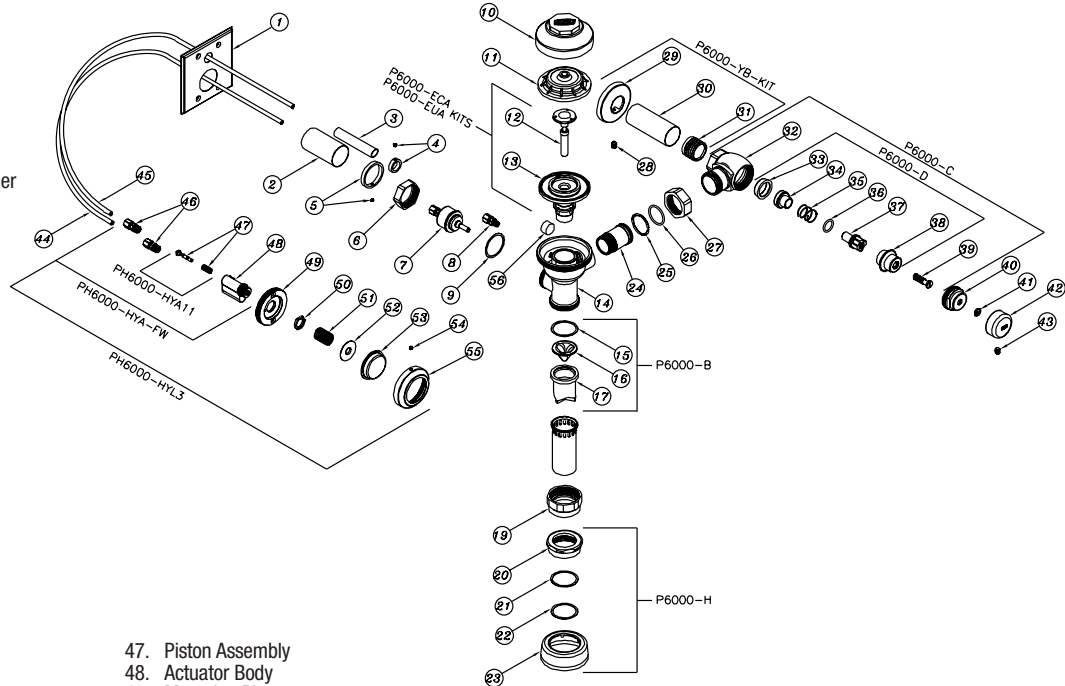
AquaVantage AV
Hydraulic Flush Valves



AquaVantage® Hydraulic-Operated Repair Kits

Parts Identification

1. Chrome Cover Plate
2. Return Cover Tube
3. Supply Cover Tube
4. Cover Tube Ring with Setscrew
5. Cover Tube Ring with Setscrew
6. Handle Nut
7. Hydraulic Plunger Assembly
8. 1/16" Compression Fitting
9. Gasket
10. Valve Body Cover
11. Plastic Cover
12. Trip Mechanism
13. Diaphragm Repair Kit
14. Valve Body
15. Vacuum Breaker Friction Washer
16. Vacuum Breaker Insert
17. Vacuum Breaker Duckbill
18. Vacuum Breaker Tube
19. Vacuum Breaker Tube Nut
20. Spud Nut
21. Spud Friction Washer
22. Spud Sleeve
23. Spud Escutcheon
24. Tailpiece
25. Snap Ring
26. Tailpiece O-Ring
27. Locking Nut
28. Setscrew for Cast Wall Flange
29. Cast Wall Escutcheon
30. Supply Cover Tube
31. Sweat Solder Adaptor
32. Stop Body
33. Piston Seal
34. Piston
35. Stop Spring
36. Guide O-Ring
37. Piston Guide
38. Guide Holder
39. Adjusting Screw
40. Stop Cap
41. Snap Cap Screw Cover
42. Vandal-Resistant Control Stop Cover
43. Setscrew for Control Stop Cover
44. 1/4" Return Tube
45. 1/4" Supply Tube
46. 1/8" Compression Fitting



47. Piston Assembly
48. Actuator Body
49. Mounting Plate
50. Securing Nut
51. Spring for Large Push Button
52. Spacer for Large Push Button
53. Large Push Button
54. Escutcheon Setscrew
55. Escutcheon for Large Push Button
56. Filter

Covers and Repair Kits	Product No.
Outside Cover - CP – Item 10	P6000-LL
Inside Cover – Item 11	P6000-L
Low Consumption Closet Kit – 1.6 gal. flush	P6000-ECA-WS1
Water Saving Closet Kit – 3.5 gal. flush	P6000-ECA-WS
Full Flow Closet Kit – 4.5 gal. flush	P6000-ECA-FF
Low Consumption Urinal Kit – 1.0 gal. flush	P6000-EUA-WS1
Water Saving Urinal Kit – 1.5 gal. flush	P6000-EUA-WS
Full Flush Urinal Kit – 3.0 gal. flush	P6000-EUA-FF

Repair Parts – Inside Parts	Product No.
Urinal Relief Valve – Item 12	P6000-EU13
Closet Relief Valve – Item 12	P6000-EC13

AquaVantage Rebuild Kits	Product No.
Closet and Urinal Rebuild Kits Include: Items 4-9, 12, 13, 15-17, 26	P6000-ECA-WS-RK P6000-ECA-WS1-RK P6000-EUA-WS-RK P6000-EUA-WS1-RK

Actuator Assembly and Repair Kits	Product No.
Hydraulic Large Push Button Assembly, Fixture Wall	PH6000-HYL3-FW
Hydraulic Large Push Button Assembly, Side Wall	PH6000-SHYL3-SW
Hydraulic Metal Push Button Assembly	PH6000-HYL-MB
Hydraulic Metal Push Button Assembly for Penal Use	PH6000-HYLP-MBP
Repair Kit for Hydraulic Actuator	PH6000-HYA11

Control Stop Repair Kit and Parts	Product No.
Control Stop Repair Kit for 1" and 3/4", Includes Items 33-39	P6000-D-SD
Seal Seat for 1" and 3/4", Includes Item 33	P6000-D42
VP Control Stop Repair Kit for 1" and 3/4", Includes Items 33-39	P6000-D-VP
Sweat Solder Connection with Cast Wall Flange, Includes Items 29-31	P6000-YB

Adjustable Tailpieces	Product No.
Adjustable Tailpiece for Standard Flush Valve, Includes Items 24-26	P6000-J1
Tailpiece Coupling Assembly, Includes Items 25-27	P6000-K
Tailpiece Locking Ring, Includes Item 25	P6000-C30
Tailpiece O-Ring, Includes Item 26	P6000-C31
Coupling Nut, Includes Item 27	P6000-C32

Flush Connections and Spud Coupling Kits	Product No.
Flush Tube Assembly for Flush Valves, Includes Items 15-19. Specify diameter and length.	P6000-A
Vacuum Breaker Repair Kit, Includes Items 15-17	P6000-B
Spud Coupling Assembly, Includes Items 20-23. Specify size.	P6000-H

AquaVantage® Hydraulic-Operated Service and Maintenance



AquaVantage AV
Hydraulic Flush Valves

PROBLEM	CAUSE	CORRECTIVE ACTION
Valve will not operate.	<ol style="list-style-type: none"> 1. Water supply is shut off. 2. Internal valve filter is plugged. 3. Tubing is hooked up improperly. 4. Plunger orifice is clogged. 5. Damaged or worn seals in HYM Actuator. 	<ol style="list-style-type: none"> 1. Turn on water supply/stop valve. 2. Clean or replace filter. 3. Refer to instructions for proper connections. 4. Remove plunger and clear orifice. 5. Replace HYM Actuator.
Insufficient volume of water to adequately evacuate fixture.	<ol style="list-style-type: none"> 1. Stop valve is not open enough. 2. Urinal trip mechanism installed in closet valve. 3. Inadequate supply running pressure. 4. Diaphragm kit is not matched to the fixture. 	<ol style="list-style-type: none"> 1. Open stop valve until desired flush. 2. Replace black urinal trip mechanism with a white closet trip mechanism. 3. To determine if the supply is adequate to evacuate the fixture, remove all working parts except for the diaphragm, then open the stop valve and evaluate flush. 4. Replace diaphragm kit with proper assembly.
Flush valve shuts off too quick or is short flushing.	<ol style="list-style-type: none"> 1. Damaged or punctured diaphragm. 2. Enlarged orifice. 	<ol style="list-style-type: none"> 1. Replace diaphragm to remedy problem. 2. Replace diaphragm to remedy problem.
Flush valve will not shut off.	<ol style="list-style-type: none"> 1. Trip mechanism is not seating properly. 2. By-pass orifice is plugged or partially plugged. 	<ol style="list-style-type: none"> 1. Disassemble parts and clean thoroughly. 2. Examine by-pass orifice and clean if necessary, being careful not to enlarge orifice opening.
Continuous trickle of water through valve.	<ol style="list-style-type: none"> 1. Tubing is hooked up improperly. 2. Debris lodged between piston assembly and valve seat. 	<ol style="list-style-type: none"> 1. Refer to instructions for proper connections. 2. Remove the piston from the push button assembly and inspect and clean both the spool and the valve seat.
Actuator assembly leaking.	<ol style="list-style-type: none"> 1. Actuator assembly handle nut is loose. 2. Actuator assembly gasket(s) are missing. 	<ol style="list-style-type: none"> 1. Tighten the actuator assembly nut. 2. Install gasket(s).
Push button assembly leaking.	<ol style="list-style-type: none"> 1. Compression fitting or nuts are loose. 2. Piston O-Ring is damaged. 	<ol style="list-style-type: none"> 1. Tighten nuts or fittings. 2. Replace piston assembly.

CARE and CLEANING INSTRUCTIONS

The suggested cleaning of chrome-plated surfaces is to simply wash with mild soap and water, then dry. Commercial cleaning compounds are never recommended as they may dull the luster and the decorative finishes.

SEASONAL USE

Valves used in installations subject to shutdown during cold and/or freezing conditions should be maintained in the following manner: After the main supply has been shut off and the water has been drained from the system, remove the stop cap and the stop valve internals to allow the water to drain from the flush valve itself. The tubing must also be disconnected from the push button assembly and the actuator assembly to allow for drainage.



AquaVantage AV
Hydraulic Flush Valves



ZURN INDUSTRIES, INC. COMMERCIAL BRASS OPERATION, 5900 ELWIN BUCHANAN DRIVE, SANFORD, NC, U.S.A. 27330
PHONE: 1-800-997-3876 FAX: 919/775-3541 WEBSITE: www.zurn.com

ZURN INDUSTRIES LIMITED 3544 NASHUA DRIVE, MISSISSAUGA, ONTARIO L4V 1L2 PHONE: 905/405-8272 FAX: 905/405-1292



PRODUCT SPECIFICATIONS

Zurn Bedpan Washer Only for Water Closets –

The Bedpan Washer Assembly is furnished complete with bedpan washer, wall bracket and support bracket, high pressure vacuum breaker, vacuum breaker tube nut, 1-1/2" [38 mm] flush tubes, fixture spud escutcheon, and fixture spud securing nut.

Note: For specifications, flows, options, and installation instructions on valves, refer to specific installation manuals.

MODELS

Bedpan Washers Only

- Z6000-DVN – Exposed bedpan washer for water closets.
- Z6010-DVN – Exposed bedpan washer for water closets with low rough-in water supply (Retrofit).
- Z6011-DVN – Exposed bedpan washer for water closets with handicap grab bar applications.

OPTIONS

- YH One Wall Bumper
- YJ Split Ring Pipe Support
- YK Solid Ring Pipe Support
- _____ Other

Exposed Flush Valves with Bedpan Washer

- Z6000AV-BWN – Exposed Z6000AV Model with bedpan washer for water closets.
- Z6010AV-BWN – Exposed Z6010AV Model with bedpan washer for water closets with low rough-in water supply (Retrofit).
- Z6011AV-BWN – Exposed Z6011AV Model with bedpan washer for water closets with handicap grab bar applications.
- Z6040AV-BWN – Exposed Z6040AV Model with bedpan washer with foot pedal actuation for water closets.

Note: See FV211 for specifications, flows, options, and installation instructions for flushometer.

Concealed Flush Valves with Bedpan Washer

- Z6020AV-BWN – Concealed Z6020AV Model with bedpan washer for water closets.

Note: See FV212 for specifications, flows, options, and installation instructions for flushometer.

Hydraulic Flush Valves with Bedpan Washer

- ZH6000AV-BWN – Exposed ZH6000AV Model with hydraulic actuator and bedpan washer for water closets.
- ZH6011AV-BWN – Exposed ZH6011AV Model with bedpan washer for water closets with handicap grab bar applications.

Note: See FV241 for specifications, flows, options, and installation instructions for flushometer.

Battery-Powered Flush Valves with Bedpan Washer

- ZR6000AV-BWN – Exposed ZR6000AV Model battery-powered, sensor-operated with bedpan washer for water closets.
- ZER6000AV-BWN – Exposed ZER6000AV Model battery-powered, sensor-operated with bedpan washer for water closets.
- ZER6011AV-BWN – Exposed ZER6011AV Model with bedpan washer for water closets with handicap grab bar applications.

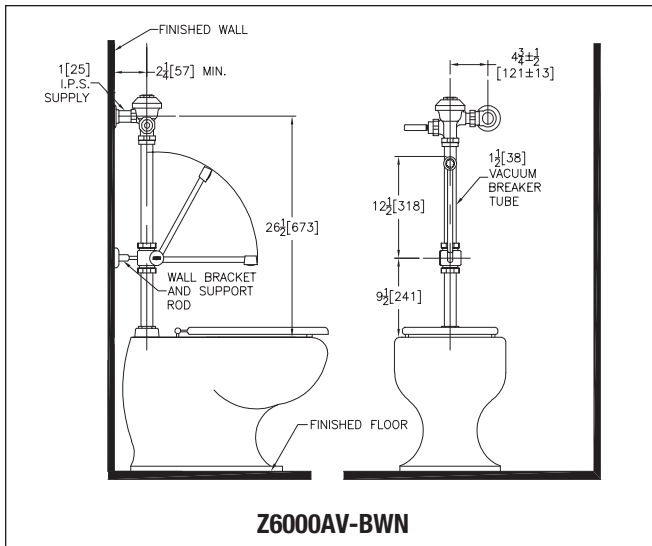
Note: See FV62 and FV2001 for specifications, flows, options, and installation instructions for flushometer.

Hardwired Flush Valves with Bedpan Washer

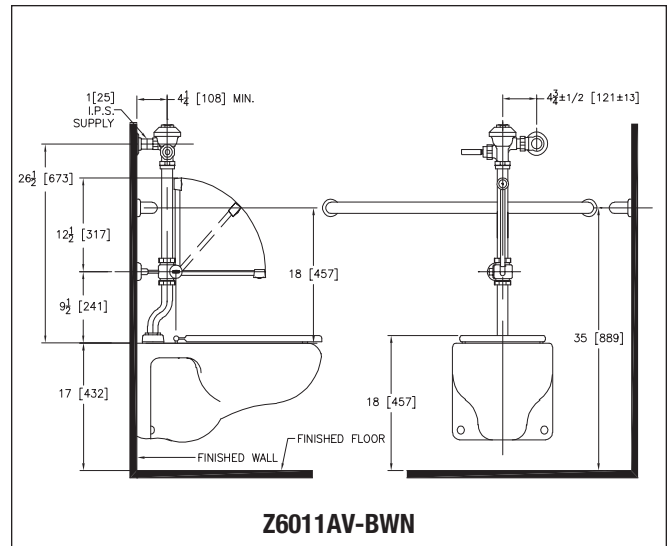
- ZEMS6000AV-IS-BWN – Exposed ZEMS6000AV-IS Model hardwired sensor-operated with bedpan washer for water closets.
- ZEMS6011AV-IS-BWN – Exposed ZEMS6011AV-IS Model with bedpan washer for water closets with handicap grab bar applications.

Note: See FV38 for specifications, flows, options, and installation instructions for flushometer.

Bedpan Washer Installation Instructions



Z6000AV-BWN



Z6011AV-BWN

Important:

- All plumbing is to be installed according to state and local codes and regulations.
- Water supply lines need to allow proper water flow for each fixture.
- Flush all lines of any debris before making connections.
- Do not use pipe sealant or plumbing grease on any fitting other than the control stop inlet.

The AquaVantage valve is designed to operate under various water pressures. The pressures fall between 10 and 100 psi (69 to 689 kPa). Each valve is tested at the lowest and highest pressures before being shipped. The minimum pressure is determined by the type of fixture purchased and the gallons per flush requested. Consult your catalog for flow options. Most low consumption valves (1.6 gallon) require a minimum of 25 psi flow pressure. When installing your quality Zurn valve, it is recommended that to protect the polished finished you do not use a toothed wrench. This will cause gouges and scratches on your valve.

STEP NO. 1

Install Sweat Adaptor and Control Stop

For detailed instructions on installing the sweat adaptor and control stop, refer to specific valve installation manuals in this catalogue.

STEP NO. 2

Install Outlet Tube (Figure 2)

Slide the diverter sleeve, diverter friction washer, diverter valve coupling nut, spud nut, spud friction washer, spud sleeve, and spud escutcheon over the diverter outlet tube. Insert outlet tube into fixture spud. Hand tighten spud nut onto fixture spud.

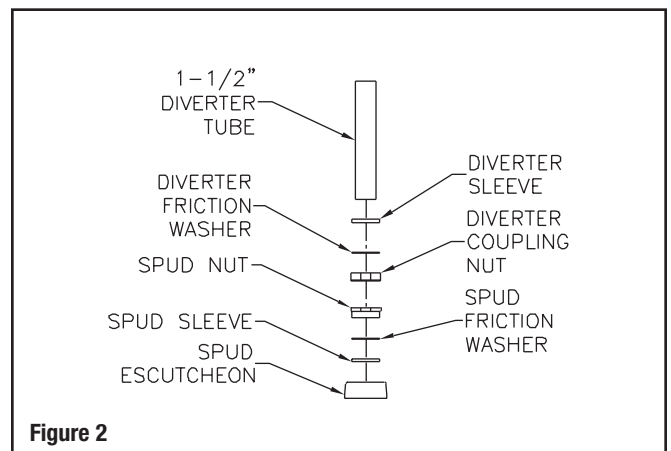


Figure 2

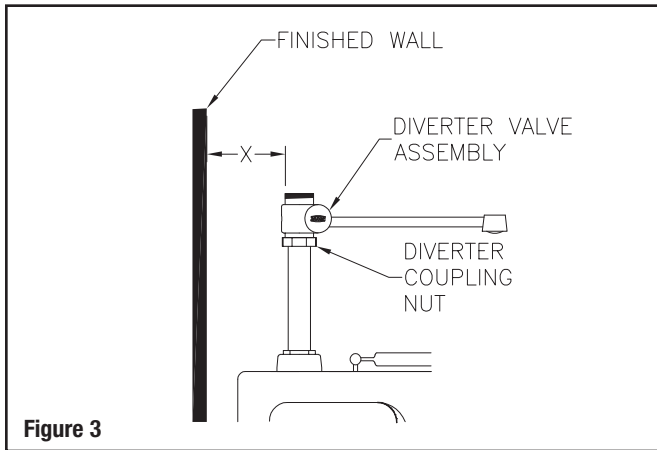


Bedpan Washer Installation Instructions, continued

STEP NO. 3

Install Diverter Valve (Figure 3)

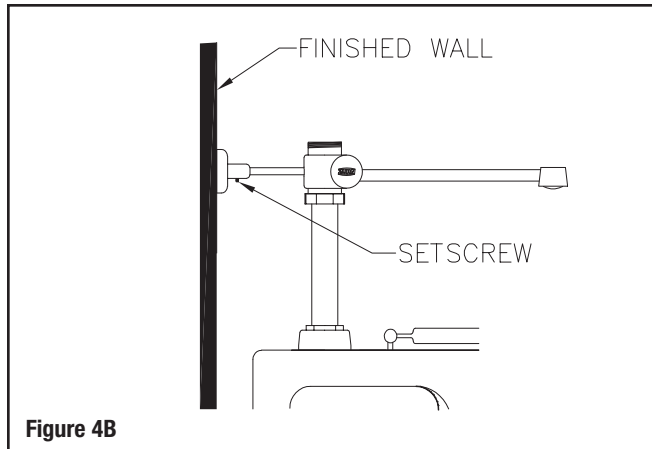
Insert top of diverter outlet tube into diverter valve and secure with diverter coupling nut. Hand tighten diverter coupling nut.



Insert top of diverter tube into diverter valve and secure diverter coupling nut. Hand tighten diverter coupling nut.

Rotate diverter valve so that support rod flange mounting holes are aligned with three mounting holes in finished wall. Secure using the three (3) screws provided.

Tighten setscrew in wall support flange. Refer to Figure 4B.



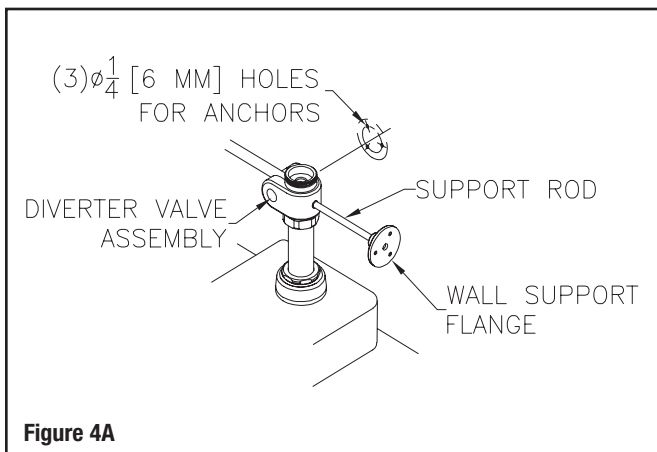
STEP NO. 4

Install Wall Support Flange (Figure 4A and 4B)

Determine required length of support rod by measuring distance between finished wall and back of diverter valve at support rod hole. Add 1/4" [6mm] to the length determined and cut the support rod to size. Refer to Figure 3.

Turn the diverter valve assembly to allow threading support rod into back of diverter valve body. Slide wall support flange onto support rod and turn the diverter valve assembly so that wall support flange is flush with wall. Use wall support flange as a template and mark off holes on finished wall for mounting screws. Refer to Figure 4A for details.

Remove diverter valve assembly and drill a 1/4" [6mm] hole at the three locations marked. Install an anchor in each 1/4" [6mm] hole.

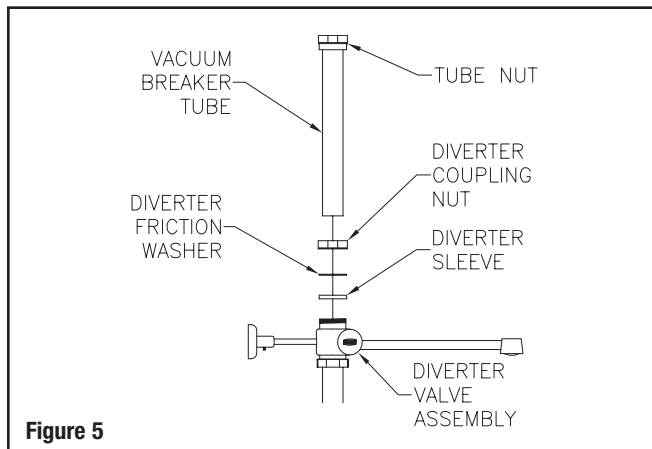


STEP NO. 5

Install Vacuum Breaker Flush Connection (Figure 5)

Slide tube nut onto flush tube. Slide the diverter valve coupling nut, diverter friction washer, and diverter sleeve over vacuum breaker tube and secure tube to diverter valve. Hand tighten diverter valve coupling nut onto diverter valve assembly.

Length of vacuum breaker tube may be shortened to accommodate lower valve installation height.



STEP NO. 6

Install Flushometer

For detailed instructions on installing the flushometer, refer to specific valve installation manuals in this catalogue.

Bedpan Washer Installation Instructions, continued

MAINTENANCE

Cleaning Nozzle Spray Disc and Screen (Figure 6)

With a Phillips head screwdriver, remove the Phillips head screw by turning counterclockwise. Remove spray disc and screen, and clean with water. Reinstall the screen, spray disc, and Phillips head screw and tighten.

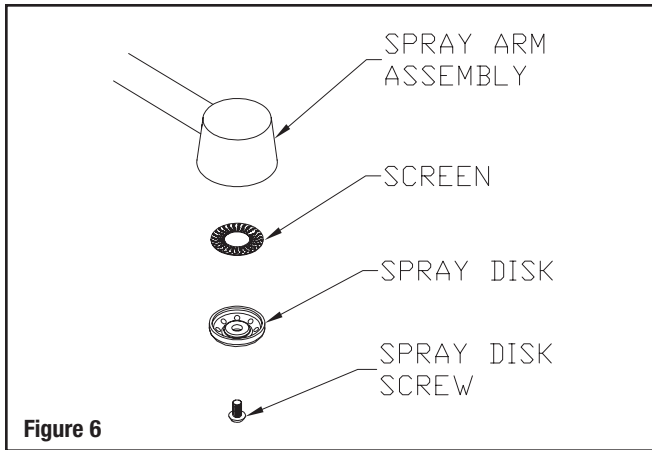


Figure 6

CARE of CHROME-PLATED SURFACES

The suggested cleaning of chrome-plated surfaces is to simply clean them with mild soap and water, then dry. Commercial cleaning compounds are never recommended.

SEASONAL USE

Valves used in installations subject to shutdown because of cold and freezing conditions should be maintained in the following manner. After the main supply has been shut off and the water drained from the system, remove the stop valve and stop valve internals to allow the water to drain from the flush valve itself.

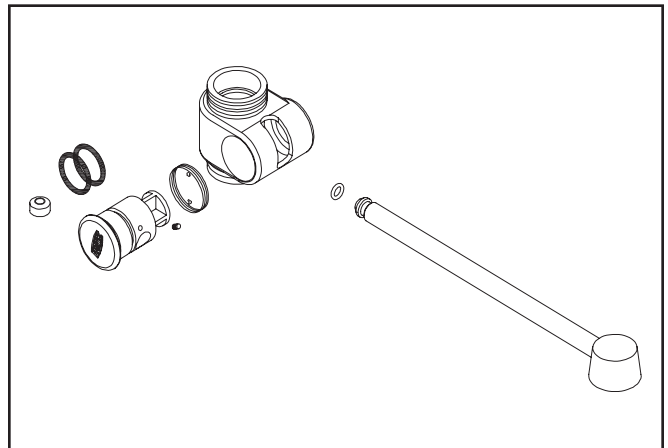
TROUBLESHOOTING GUIDE

For detailed instructions on trouble shooting the flushometer, refer to specific valve installation manuals in this catalogue.

REBUILD KITS

The P6000-PN22 Rebuild Kit is available with replacement seals. Access to the seals is as follows:

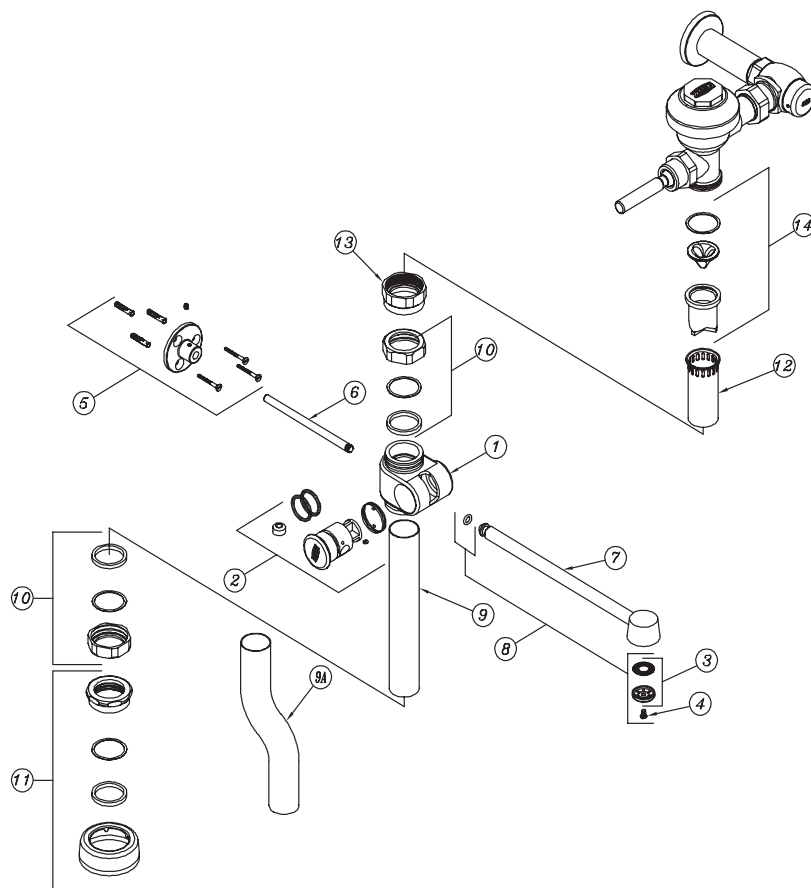
1. Pull diverter arm to downward position.
2. Remove setscrew with 3/32 Allen wrench.
3. Remove diverter arm from elbow.
4. Remove elbow from body to get access to O-rings and rubber grommet.





Parts Replacement Guide

AquaVantage AV
Bedpan Washer, Trap Primer,
and Foot Pedal Valves



Illus. No.	Description	Product No.
1	Diverter Body	P6000-PN21
2	Elbow Assembly (Elbow, Spring, Setscrew, (2) O-Rings, and Grommet)	P6000-PN20
3	Spray Disc and Screen	P6000-P3
4	Spray Disc Screw	P6000-P4
5	Wall Flange with Setscrew and Mounting Hardware	P6000-P8
6	Support Rod	P6000-P8-2
7	Spray Arm Assembly – 12"	P6000-PN18
8	Spray Arm Repair Kit (O-Ring, Spray Disk, Screen, and Screw)	P6000-PN19
9	Bottom Tube	P6000-P15
9A	Optional Offset Tube for Z6011 Assembly	P6000-P15-LO
10	Coupling Assembly – 1-1/2"	P6000-HN
11	Spud Coupling Assembly – 1-1/2"	P6000-H
12	Vacuum Breaker Tube	P6000-1-A-CP
13	Tube Nut	P6000-AA-CP
14	Vacuum Breaker Repair Kit	P6000-B
15	Bedpan Diverter Rebuild Kit (Items 8, 2 [Except Elbow], Tube Gasket)	P6000-PN22



ZURN INDUSTRIES, INC. COMMERCIAL BRASS OPERATION, 5900 ELWIN BUCHANAN DRIVE, SANFORD, NC, U.S.A. 27330
PHONE: 1-800-997-3876 FAX: 919/775-3541 WEBSITE: www.zurn.com

ZURN INDUSTRIES LIMITED 3544 NASHUA DRIVE, MISSISSAUGA, ONTARIO L4V 1L2 PHONE: 905/405-8272 FAX: 905/405-1292