



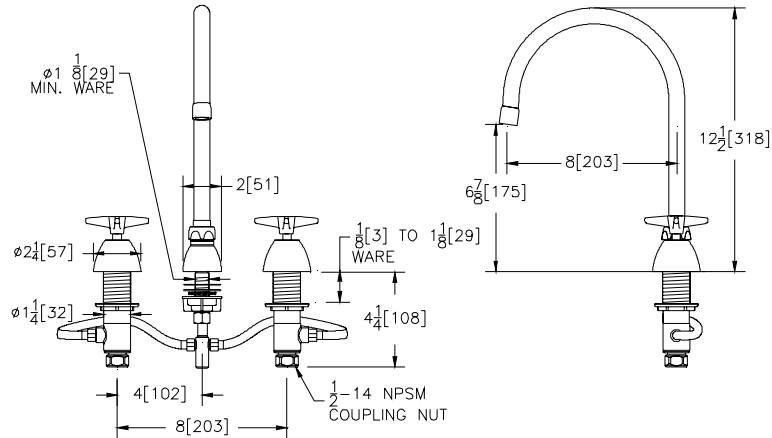
WIDESPREAD Z831C2-XL TAG



Engineering Specifications: Zurn AquaSpec® Z831C2-XL

Polished chrome-plated widespread with adjustable centers from 6" [152mm] to 20" [508mm], 8" [203mm] centerline rigid or swing gooseneck spout and quarter turn ceramic disc cartridges. Unit is furnished with a 2.2 GPM [8.3 L] pressure compensating aerator (complying with ANSIA112.18.1 Standard for flow), vandal-resistant color-coded metal four arm handles, mounting hardware and 1/2" NPSM coupling nuts for standard lavatory risers. Widespread accommodates installations up to 1-1/8" [29mm] thick.

Zurn Lead Free products (-XL), is the line of durable, high quality brass faucets and fixtures that are designed and manufactured to comply with state laws and local codes that mandate lead content levels. Zurn Lead Free products (-XL) are manufactured with less than one quarter of one percent (0.25%) total lead content by weighted average.



Note: All dimensions are for reference only. Do not use for pre-plumbing

OPTIONAL ACCESSORIES

| Suffix | Description |
|---------|---|
| ___-CWO | Cold Water Only |
| ___-FC | 2.0 GPM [7.6L] Laminar Flow Control in Base of Spout |
| ___-G | 1-1/4" [32mm] Grid Strainer Drain |
| ___-GH | 1-1/4" [32mm] Offset Handicap Grid Drain |
| ___-HCT | Hot/Cold Text Indexes |
| ___-HS | Hose and Spray |
| ___-ICT | Interconnecting Copper Supply Tubes for 8" [203mm] In-line Centers |
| ___-P | 1-1/4" [32mm] Pop-up Drain |
| ___-PT | 1-1/4" [32mm] Cast Brass P-Trap with a 7-1/2" [191mm] Long 17-Gauge Wall Bend |
| ___-TW | Third Waterway |
| ___-140 | Restricted (140°) Swing Spout |
| ___-2F | 2.2 GPM [8.3 L] Vandal-Resistant Pressure Compensating Female Aerator |
| ___-3F | 0.5 GPM [1.9 L] Vandal-Resistant Pressure Compensating Female Spray Outlet |
| ___-4F | 2.2 GPM [8.3 L] Vandal-Resistant Pressure Compensating Female Laminar Flow Outlet |
| ___-7F | 1.0 GPM [3.8L] Pressure Compensating Female Spray Outlet |
| ___-16F | 1.0 GPM [3.8L] Vandal-Resistant Pressure Compensating Female Spray Outlet |
| ___-17F | 1.5 GPM [5.7L] Vandal-Resistant Pressure Compensating Female Aerator |
| ___-18F | 1.5 GPM [5.7L] Vandal-Resistant Pressure Compensating Female Laminar Flow Outlet |
| ___-19F | 1.5 GPM [5.7 L] Anti-Microbial Pressure Compensating Female Laminar Flow Outlet |
| ___-20F | 1.0 GPM [3.8L] Vandal-Resistant Pressure Compensating Anti-Microbial Female Laminar Flow Outlet |
| ___-21F | 1.0 GPM [3.8L] Female Laminar Flow Outlet |
| ___-22F | 1.0 GPM [3.8L] Vandal-Resistant Female Laminar Flow Outlet |

ZURN INDUSTRIES, LLC ♦ COMMERCIAL BRASS OPERATION ♦ 2640 SOUTH WORK STREET ♦ FALCONER NY 14733

Phone: 1-716-665-1132 ♦ Fax: 1-716-665-1135 ♦ World Wide Web: www.zurn.com

In Canada: ZURN INDUSTRIES LIMITED ♦ 3544 Nashua Drive ♦ Mississauga, Ontario L4V1L2 ♦ Phone: 905/405-8272 Fax: 905/405-1292