



# SINGLE BASIN FAUCET

## Z82701-XL

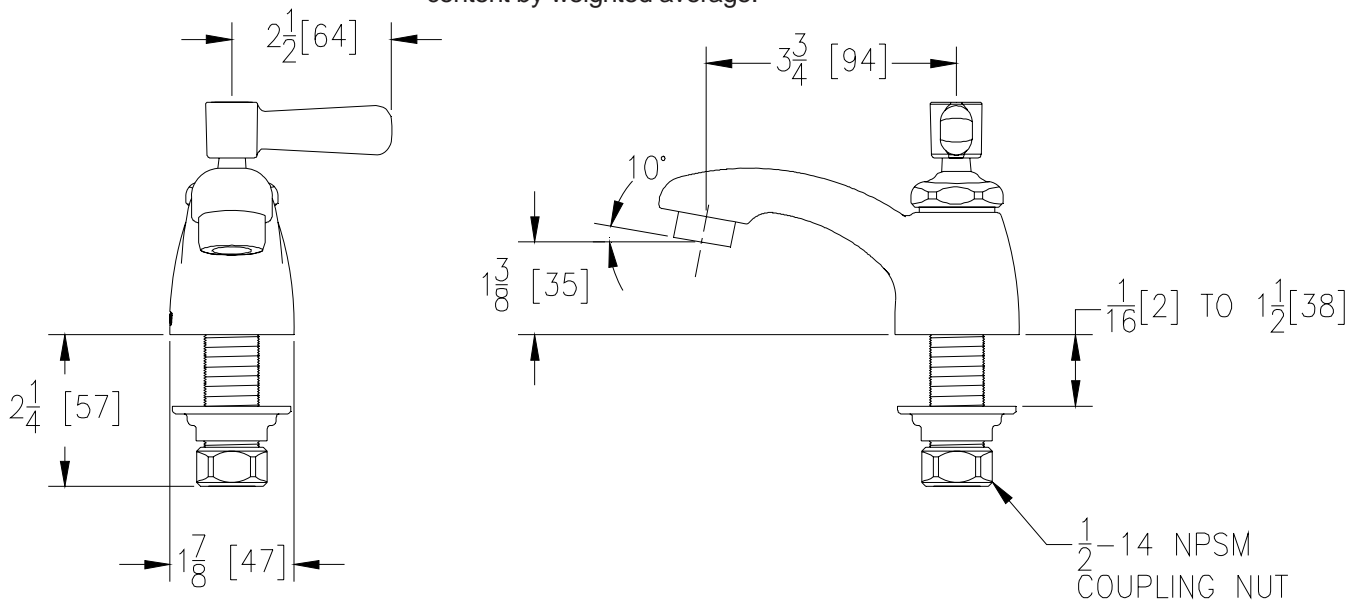
### TAG \_\_\_\_\_



#### Engineering Specifications: Zurn AquaSpec® Z82701-XL

Polished chrome-plated single basin faucet with integral shank, quarter turn ceramic disc cartridge and a 3-3/4" [95mm] long integral cast spout. Unit is furnished with a 2.2 GPM [8.3 L] pressure compensating aerator (complying with ANSI A112.18.1 Standard for flow), 2-1/2" [64mm] vandal-resistant color-coded metal lever handle, mounting hardware and a 1/2" NPSM coupling nut for standard lavatory riser.

Zurn Lead Free products (-XL), is the line of durable, high quality brass faucets and fixtures that are designed and manufactured to comply with state laws and local codes that mandate lead content levels. Zurn Lead Free products (-XL) are manufactured with less than one quarter of one percent (0.25%) total lead content by weighted average.



Note: All dimensions are for reference only. Do not use for pre-plumbing

#### OPTIONAL ACCESSORIES

Suffix	Description
___ -CP4	Chrome-Plated 4" [102mm] Cover Plate
___ -HCT	Hot/Cold Text Indexes
___ -G	1-1/4" [32mm] Grid Strainer Drain
___ -MYCS	Mixing Yoke with 1/2" [13mm] Check Stop Inlets
___ -PT	1-1/4" [32mm] Cast Brass P-Trap with a 7-1/2" [191mm] Long 17-Gauge Wall Bend
___ -2M	2.2 GPM [8.3 L] Vandal-Resistant Pressure Compensating Male Aerator
___ -3M	0.5 GPM [1.9 L] Vandal-Resistant Pressure Compensating Male Spray Outlet
___ -4M	2.2 GPM [8.3 L] Vandal-Resistant Pressure Compensating Male Laminar Flow
___ -7M	1.0 GPM [3.8 L] Pressure Compensating Male Spray Outlet
___ -16M	1.0 GPM [3.8 L] Vandal-Resistant Pressure Compensating Male Spray Outlet
___ -17M	1.5 GPM [5.7 L] Vandal-Resistant Pressure Compensating Male Aerator
___ -18M	1.5 GPM [5.7 L] Vandal-Resistant Pressure Compensating Laminar Flow
___ -19M	1.5 GPM [5.7 L] Anti-Microbial Pressure Compensating Male Laminar Flow Outlet
___ -20M	1.0 GPM [3.8L] Vandal-Resistant Pressure Compensating Anti-Microbial Male Laminar Flow Outlet
___ -21M	1.0 GPM [3.8L] Male Laminar Flow Outlet
___ -22M	1.0 GPM [3.8L] Vandal-Resistant Male Laminar Flow Outlet



ZURN INDUSTRIES LLC ♦ COMMERCIAL BRASS OPERATION ♦ 2640 SOUTH WORK STREET ♦ FALCONER NY 14733

Phone: 1-716-665-1132 ♦ Fax: 1-716-665-1135 ♦ World Wide Web: www.zurn.com

In Canada: ZURN INDUSTRIES LIMITED ♦ 3544 Nashua Drive ♦ Mississauga, Ontario L4V1L2 ♦ Phone: 905/405-8272 Fax: 905/405-1292