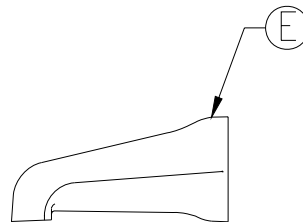
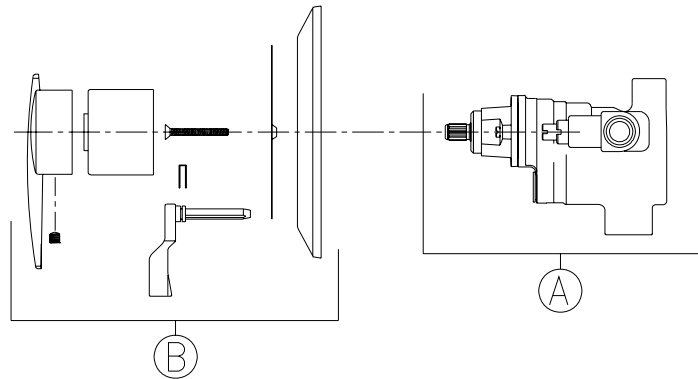
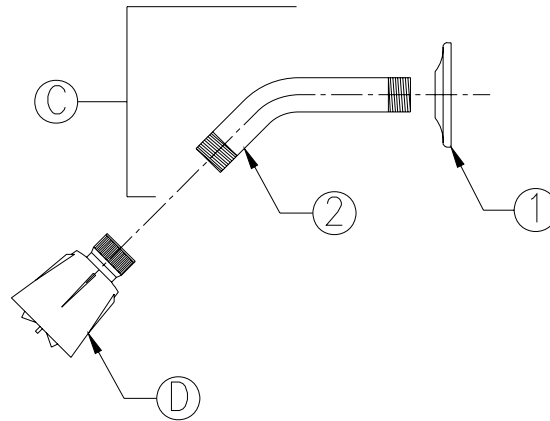


TEMP-GARD TUB and SHOWER UNIT

Z7221-SS-LH Parts List



Item	Part Number	Description	Qty.
A	TPK7220-SS	Tract Pack Ass'y- 4 Port Tub and Shower Valve with Diverter and Service Stops	1
B	TMPK7220-LH	Trim Pack Ass'y-ABS Plastic Trim with Metal Lever Handle and Diverter Handle	1
C	Z7000-A1	Standard Shower Arm Assembly	1
1	7000-83	Stamped Shower Arm Escutcheon	1
2	7000-84	Shower Arm 6" [152mm]	1
D	Z7000-S1	Standard Shower Head	1
E	Z7000-T1	Standard Tub Spout	1

ZURN INDUSTRIES, INC. ♦ COMMERCIAL BRASS OPERATION ♦ 2640 SOUTH WORK STREET ♦ FALCONER NY 14733

Phone: 1-716-665-1132 ♦ Fax: 1-716-665-1135 ♦ World Wide Web: www.zurn.com

In Canada: ZURN INDUSTRIES LIMITED ♦ 3544 Nashua Drive ♦ Mississauga, Ontario L4V1L2 ♦ Phone: 905/405-8272 Fax: 905/405-1292