

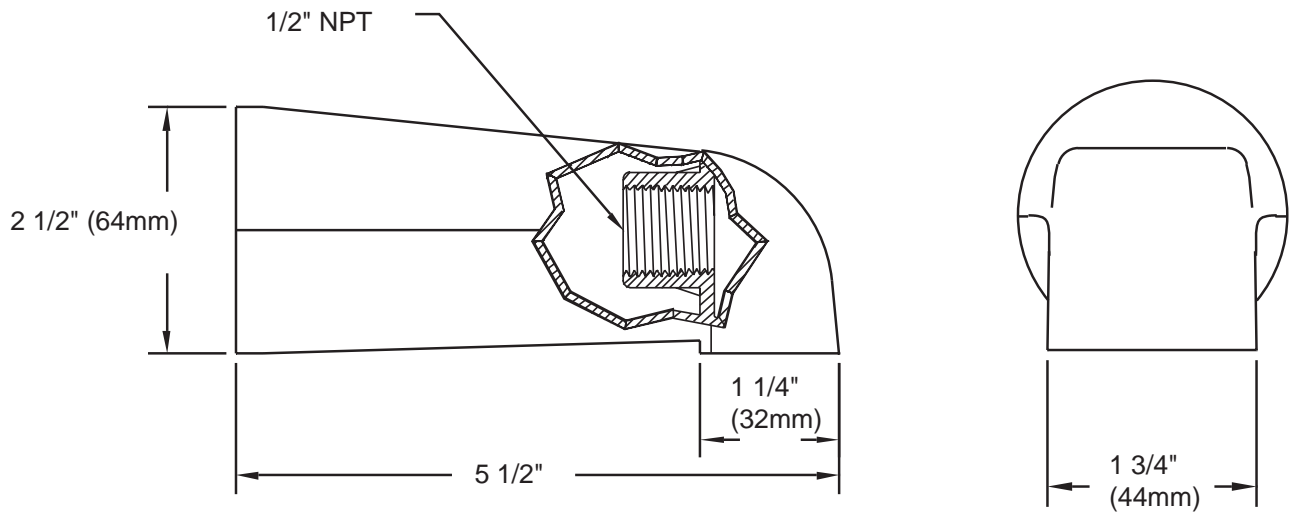


TEMP-GARD TUB SPOUT

Z7000-T1

TAG _____

ENGINEERING SPECIFICATIONS: Standard Tub Spout, zamak zinc die cast body with chrome plated finish, 1/2" NPT threaded front connection.



Note: All dimensions are for reference only. Do not use for pre-plumbing

OPTIONAL ACCESSORIES

Suffix	Description
__ SJ	1/2" copper slip joint connection

STANDARDS

Tested to meet the following standards:
Tub spout meets CSA B125 M89



ZURN INDUSTRIES, INC. ♦ COMMERCIAL BRASS OPERATION ♦ 2640 SOUTH WORK STREET ♦ FALCONER NY 14733

Phone: 1-716-665-1132 ♦ Fax: 1-716-665-1135 ♦ World Wide Web: www.zurn.com

In Canada: ZURN INDUSTRIES LIMITED ♦ 3544 Nashua Drive ♦ Mississauga, Ontario L4V1L2 ♦ Phone: 905/405-8272 Fax: 905/405-1292