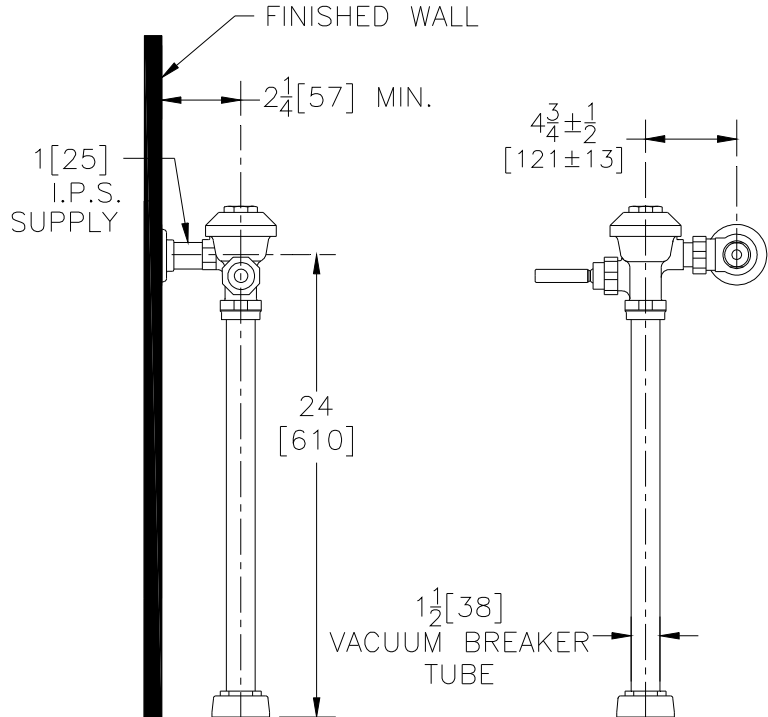
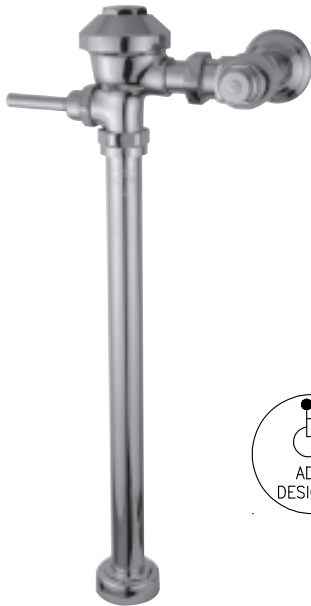




## Exposed Z6017 Model for Service Sinks



### Flow Options

- WS1**                      1.6 Gallons Per Flush
- WS**                         3.5 Gallons Per Flush
- Standard Flush**        6.5 Gallons Per Flush

### Suffix Options (Check/Specify Appropriate Options)

- \_\_\_\_\_ **-BG**    BioCare ADA Handle
- \_\_\_\_\_ **-H**        Handle on Front of Flush Valve
- \_\_\_\_\_ **-L**        1" [25] Metal Push Button
- \_\_\_\_\_ **-L3**        3" [76] Metal Push Button
- \_\_\_\_\_ **-VC**        Vandal Resistant Stop Cover
- \_\_\_\_\_ **-YB**        Sweat Solder Kit
- \_\_\_\_\_ **-YC**        Cast Wall Flange
- \_\_\_\_\_ **-YH**        One Wall Bumper
- \_\_\_\_\_ **-YJ**        Split Ring Pipe Support
- \_\_\_\_\_ **-YK**        Solid Ring Pipe Support
- \_\_\_\_\_        Other

**ENGINEERING SPECIFICATION: ZURN Z6017 Aquaflush Exposed Clinic Service Sink Flush Valve** - Exposed, quiet diaphragm-type, chrome plated flushometer valve with a polished exterior. Complete with a chloramine resistant, dual seal diaphragm with a clog resistant by-pass. The valve is ADA compliant with a non-hold-open and no leak handle feature, high back pressure vacuum breaker, one piece hex coupling nut, adjustable tail-piece, spud coupling and flange for top spud connection. Control stop has internal siphon-guard protection. Internal seals are made of chloramine resistant materials.

- Z6017PL- Aquaflush Plus** is furnished as specified above and includes sweat solder kit, vandal resistant stop cap, and cast wall flange.

This space is for Architectural/engineering Approval

ZURN INDUSTRIES, LLC. ♦ COMMERCIAL BRASS OPERATION ♦ 5900 ELWIN BUCHANAN DRIVE ♦ SANFORD NC 27330

Phone: 1-800-997-3876 ♦ Fax: 919-775-3541 ♦ World Wide Web: www.zurn.com

In Canada: ZURN INDUSTRIES LIMITED ♦ 3544 Nashua Drive ♦ Mississauga, Ontario L4V1L2 ♦ Phone: 905-405-8272 Fax: 905-405-1292