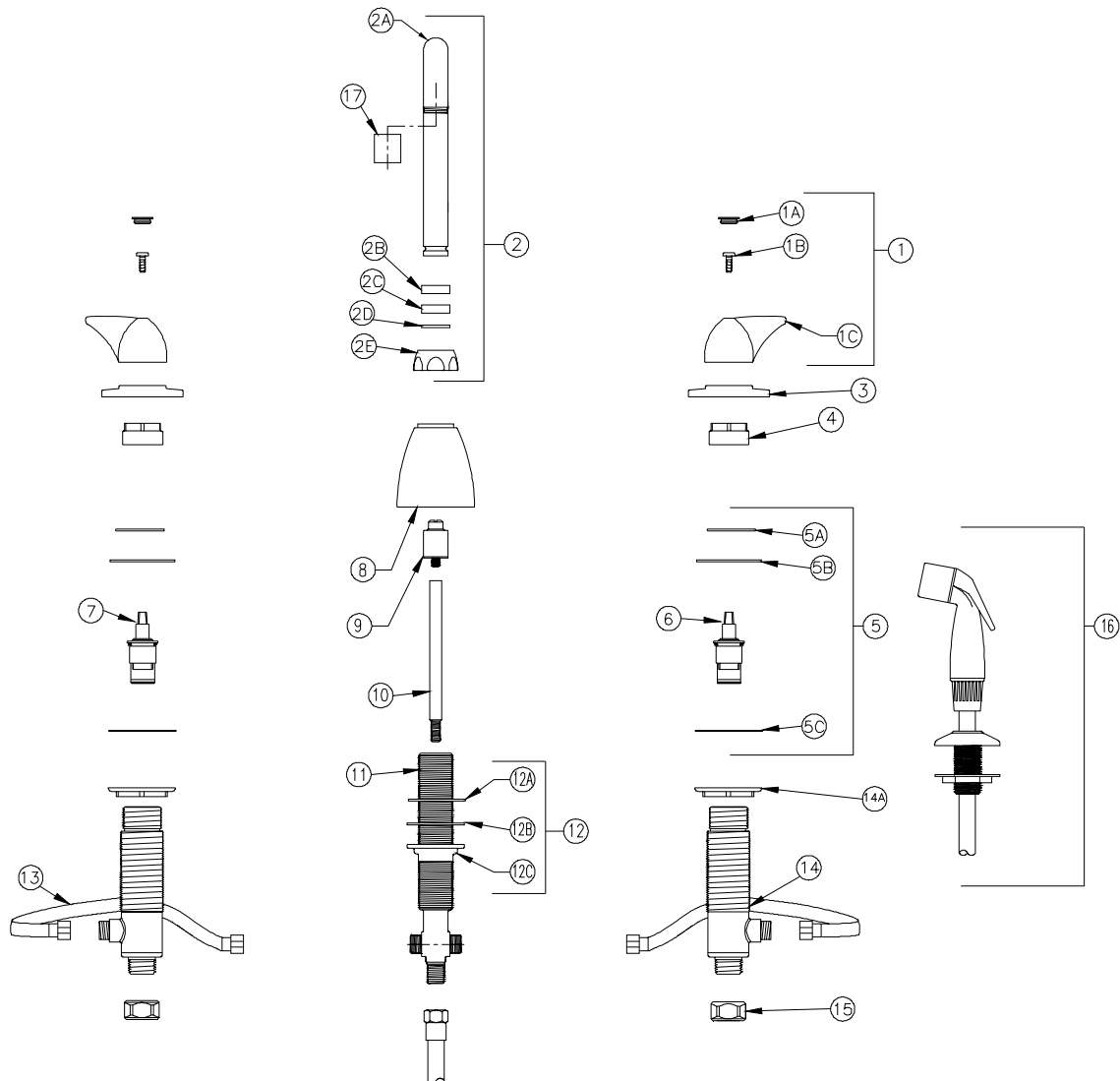


Z831J3-XL-HS Parts List



Item	Part Number	Description	Qty.	Item	Part Number	Description	Qty.
1	G60515	2" [51mm] Vandal-Resistant Dome Lever Handles	1	5B	60382002	Stainless Steel Washer	2
1A	G60500	Hot/Cold Color-Coded indexes	1	6	59517005	Short Cold Cartridge XL	1
	59454001	Hot Index	1	7	59517006	Short Hot Cartridge XL	1
	59454002	Cold Index	1	8	60082001	Threaded Escutcheon	1
1B	62464001	10-32 Screw	2	9	93217001	Diverter XL	1
1C	60514001	Dome Lever Handle	2	10	60457002	Diverter Extension Rod	1
2	G67894	9" Tubular 'J' Spout Assy XL	1	11	61268004	Diverter Tee XL	1
2A	92956001	9" Tubular Swing Spout	1	12	G61073	Mounting Hardware	1
2B	59441001	Bearing Washer	1	12A	60549002	Friction Gasket	1
2C	59459001	Spout Seal	1	12B	60444002	Washer	1
2D	92937001	Retaining Ring XL	1	12C	60445002	Mounting Hardware	1
2E	59435001	Spout Nut	1	13	93317332	Flexible Hose XL	2
3	61406001	Escutcheon	2	14	93039001	Single Body Assembly XL	2
4	60077002	Cartridge Cap	2	14A	60445001	Nut	2
5	G61859	Mounting Hardware	1	15	59532001	1/2" NPSM Riser Nut	2
5A	60383002	Retaining Ring	2	16	G67905	Hose Spray Assembly XL	1
				17	G63504	3/4"-27 Female Aerator - 2.2 GPM	1

ZURN INDUSTRIES, LLC ♦ COMMERCIAL BRASS OPERATION ♦ 2640 SOUTH WORK STREET ♦ FALCONER NY 14733

Phone: 1-800-997-3876 ♦ Fax: 1-919-775-3541 ♦ www.zurn.com

In Canada: ZURN INDUSTRIES LIMITED ♦ 3544 Nashua Drive ♦ Mississauga, Ontario L4V1L2 ♦ Phone: 905/405-8272 Fax: 905/405-1292