



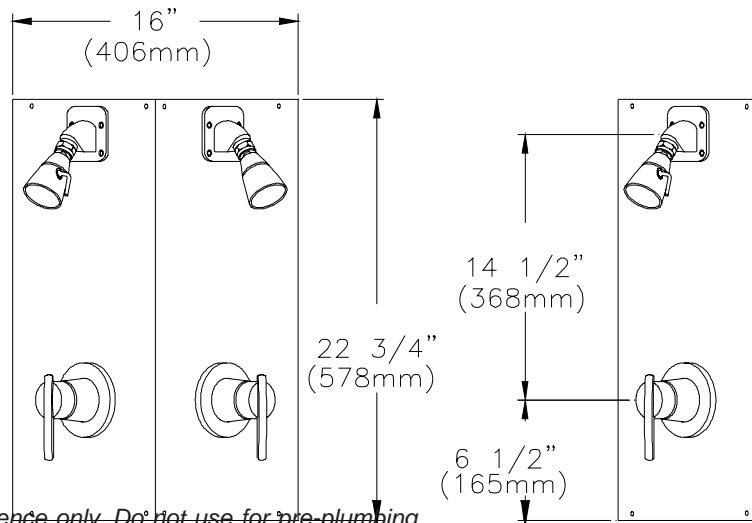
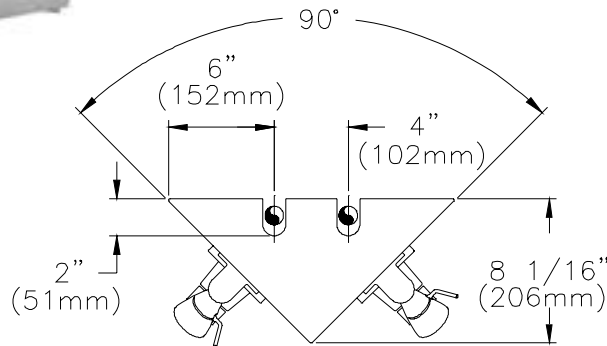
# AQUA-PANEL SHOWER UNIT TWO PERSON STATION

Z7500-W2

TAG \_\_\_\_\_



**ENGINEERING SPECIFICATION: ZURN Z7500-W2** - Prefabricated stainless steel 2 person shower unit with integral mounting frame, unit consists of two TEMP-GARD pressure balancing shower valves with single bronze stem, stainless steel balancing piston & bottom access integral service stops. Standard with 3/4" copper tubing assembly enclosed by 18 gage stainless steel #4 brushed finish shroud, chrome plated brass shower head with flow control on institutional bracket, metal stem handle & all vandal proof securing screws. Unit is hydrostatically tested & ready for installation.



Note: All dimensions are for reference only. Do not use for pre-plumbing  
**OPTIONS** (Check/specify appropriate options)

**STANDARDS**

Suffix	Description
__ i2	Fixed Spray Institutional Shower Head
__ 14	14 Gage Stainless Steel Shroud
__ 16	16 Gage Stainless Steel Shroud

Tested to meet the following standard for valves and plumbing fittings:  
Shower Heads meet ANSI A112.18.1  
Valve meets ASSE 1016 - 2005.



ZURN INDUSTRIES, LLC ♦ COMMERCIAL BRASS OPERATION ♦ 2640 SOUTH WORK STREET ♦ FALCONER NY 14733

Phone: 1-800-997-3876 ♦ Fax: 1-919-775-3541 ♦ www.zurn.com

In Canada: ZURN INDUSTRIES LIMITED ♦ 3544 Nashua Drive ♦ Mississauga, Ontario L4V1L2 ♦ Phone: 905/405-8272 Fax: 905/405-1292

AquaSpec® is a registered trademark of Zurn Industries, LLC  
©2011 Zurn Industries, LLC

Rev. B  
Dwg. No. 66261

Date: 6/7/11

C.N. No. 127784  
Product No. Z7500-W2