



AQUA-PANEL SHOWER UNIT

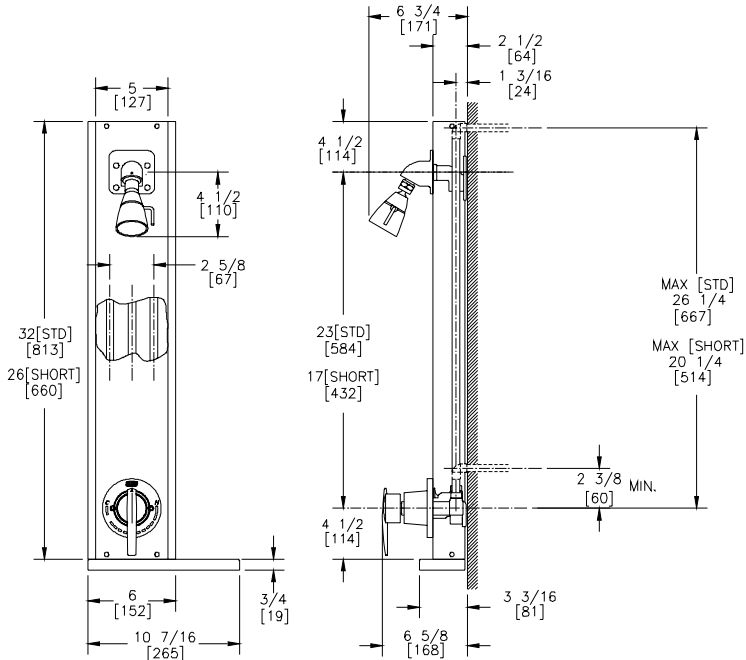
Z7500

TAG _____



ENGINEERING SPECIFICATIONS: ZURN Z7500

Prefabricated stainless steel shower unit, consisting of the TEMP-GARD pressure balancing shower valve with single bronze stem, stainless steel balancing piston & bottom access integral service stops. Standard with 1/2" copper tubing assembly enclosed by 18 gage stainless steel #4 brushed finish shroud, -i6 chrome plated brass shower head with 2.5 GPM flow control and adjustable spray pattern on institutional bracket, metal stem handle, side mount soap dish & all vandal proof securing screws.



Note: All dimensions are for reference only. Do not use for pre-plumbing
OPTIONS (Check/specify appropriate options)

STANDARDS

Suffix	Description
___ -i2	Fixed Spray Institutional Shower Head (2.5 GPM) (Other Institutional Shower Heads Available)
___ -i5	Large Brass Shower Head with Adjustable Spray Pattern (2.5 GPM)
___ -1.25	1.25 GPM Shower Head Flow Control
___ -1.5	1.5 GPM Shower Head Flow Control
___ -1.75	1.75 GPM Shower Head Flow Control
___ -2.0	2.0 GPM Shower Head Flow Control
___ -LS	Less Soap Dish
___ -SL	Short Length Shroud 26" (660mm)
___ -TC	Matching Shroud Extension to Cover Thru Ceiling Piping (Specify extension height)
___ -TH	Matching Shroud Cover For Concealed Horizontal Piping (Application drawings available for custom installations)
___ -14	14 Gage Stainless Steel Shroud
___ -16	16 Gage Stainless Steel Shroud

Tested to meet the following standards for valves and plumbing fittings:
Shower heads meet ANSI A112.18.1
Meets or Exceeds ANSI A117.1M standard for physically handicapped
Valve meets ASSE 1016 - 2005.



ZURN INDUSTRIES, LLC ♦ COMMERCIAL BRASS OPERATION ♦ 2640 SOUTH WORK STREET ♦ FALCONER NY 14733

Phone: 1-800-997-3876 ♦ Fax: 1-919-775-3541 ♦ www.zurn.com

In Canada: ZURN INDUSTRIES LIMITED ♦ 3544 Nashua Drive ♦ Mississauga, Ontario L4V1L2 ♦ Phone: 905/405-8272 Fax: 905/405-1292