



4" CENTERSET GOOSENECK

Z812A1-XL

TAG _____

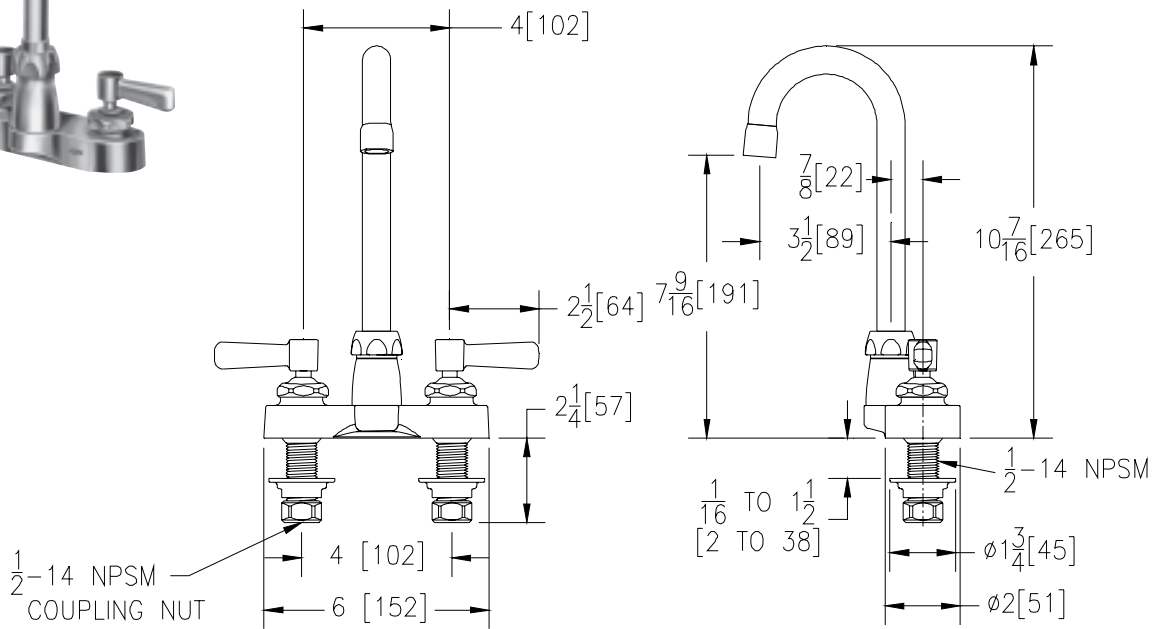


Engineering Specifications: Zurn AquaSpec® Z812A1-XL

Polished chrome-plated cast brass faucet body with integral shanks, quarter turn ceramic disc cartridges and a 3-1/2" [89mm] centerline rigid or swing gooseneck spout. Unit is furnished with a 2.2 GPM [8.3 L] pressure compensating aerator (complying with ANSI A112.18.1 Standard for flow), 2-1/2" [64mm] vandal-resistant color-coded metal lever handles, mounting hardware and 1/2" NPSM coupling nuts for standard lavatory risers.



Zurn Lead Free products (-XL), is the line of durable, high quality brass faucets and fixtures that are designed and manufactured to comply with state laws and local codes that mandate lead content levels. Zurn Lead Free products (-XL) are manufactured with less than one quarter of one percent (0.25%) total lead content by weighted average.



Note: All dimensions are for reference only. Do not use for pre-plumbing.

OPTIONAL ACCESSORIES

Suffix Description

___-FC	2.0 GPM [7.6 L] Laminar Flow Control in Base of Spout
___-G	1-1/4" [32mm] Grid Strainer Drain
___-HCT	Hot/Cold Text Indexes
___-P	1-1/4" [32mm] Pop-up Drain
___-PT	1-1/4" [32mm] Cast Brass P-Trap with a 7-1/2" [191mm] Long 17-Gauge Wall Bend
___-2F	2.2 GPM [8.3 L] Vandal-Resistant Pressure Compensating Female Aerator
___-3F	0.5 GPM [1.9 L] Vandal-Resistant Pressure Compensating Female Spray Outlet
___-4F	2.2 GPM [8.3 L] Vandal-Resistant Pressure Compensating Female Laminar Flow Outlet
___-7F	1.0 GPM [3.8L] Pressure Compensating Female Spray Outlet
___-16F	1.0 GPM [3.8L] Vandal-Resistant Pressure Compensating Female Spray Outlet
___-17F	1.5 GPM [5.7L] Vandal-Resistant Pressure Compensating Female Aerator
___-18F	1.5 GPM [5.7L] Vandal-Resistant Pressure Compensating Female Laminar Flow Outlet
___-19F	1.5 GPM [5.7 L] Anti-Microbial Pressure Compensating Female Laminar Flow Outlet
___-20F	1.0 GPM [3.8L] Vandal-Resistant Pressure Compensating Anti-Microbial Female Laminar Flow Outlet
___-21F	1.0 GPM [3.8L] Female Laminar Flow Outlet
___-22F	1.0 GPM [3.8L] Vandal-Resistant Female Laminar Flow Outlet



ZURN INDUSTRIES, LLC ♦ COMMERCIAL BRASS OPERATION ♦ 2640 SOUTH WORK STREET ♦ FALCONER NY 14733

Phone: 1-716-665-1132 ♦ Fax: 1-716-665-1135 ♦ World Wide Web: www.zurn.com

In Canada: ZURN INDUSTRIES LIMITED ♦ 3544 Nashua Drive ♦ Mississauga, Ontario L4V1L2 ♦ Phone: 905/405-8272 Fax: 905/405-1292